



US00D369512S

United States Patent [19] Brady

[11] Patent Number: **Des. 369,512**

[45] Date of Patent: ***** May 7, 1996**

[54] **BLENDER BASE**

[75] Inventor: **Martin Brady**, Richmond, Va.

[73] Assignee: **Hamilton Beach/Proctor-Silex, Inc.**,
Glen Ellen, Va.

[*] Notice: The portion of the term of this patent subsequent to Oct. 17, 2009, has been disclaimed.

[**] Term: **14 Years**

[21] Appl. No.: **15,034**

[22] Filed: **Oct. 20, 1993**

Related U.S. Application Data

[63] Continuation-in-part of Ser. No. 2,663, Dec. 18, 1992, abandoned.

[52] U.S. Cl. **D7/386**

[58] Field of Search D7/376-378, 381-384,
D7/386, 412; 366/129, 130, 197, 199, 204,
205, 314

[56] **References Cited**

U.S. PATENT DOCUMENTS

D. 215,782	10/1969	Steinkamp	D7/378 X
D. 216,237	12/1969	Levin	D7/386
D. 242,208	11/1976	Madl	D7/386
D. 251,231	3/1979	Hashimoto	D7/384
D. 255,759	7/1980	Ernest	D7/386
D. 259,387	6/1981	Levin	D7/386
D. 290,217	6/1987	Levin	D7/386
D. 337,240	7/1993	Levin	D7/386
D. 339,715	9/1993	Barrault	D7/378

OTHER PUBLICATIONS

Photocopy of Front and Back Cover Pages And p. 208 of Best General Merchandise Catalog, published 1990 by Best Products.

Photographs of Hamilton Beach Two Speed Cordless Blender Base, Unpublished, Taken For Purpose Of This Statement On Mar. 29, 1993 Depicts Blender Base On Sale Before One Year Prior To Filing Date Of Instant Application.

Unpublished Photographs Of Black & Decker Blender Base Which Is Believed To Have Been On Sale More Than One Year Prior To Filing Date Of Instant Application.

Refer To Discussion In The Information Disclosure Statement.

Photocopy Of Front And Back Cover Pages And Pages 2 Through 4 Of 1993/94 Hamilton Beach/Proctor-Silex Catalog, Published Apr. 1993.

Primary Examiner—Alan P. Douglas

Assistant Examiner—Caron D. Veynar

Attorney, Agent, or Firm—Roger S. Dybvig

[57] **CLAIM**

The ornamental design for a blender base, as shown and described.

DESCRIPTION

FIG. 1 is a top, front and right side perspective view of a blender base showing my new design;

FIG. 2 is a left side elevational view thereof, with the right side being a mirror image of the left side;

FIG. 3 is a front elevational view thereof;

FIG. 4 is a rear elevational view thereof;

FIG. 5 is a top plan view thereof; and,

FIG. 6 is a bottom plan view thereof.

The broken lines showing the control buttons in FIG. 1 are for illustrative purposes only and form no part of the claimed design.

1 Claim, 1 Drawing Sheet

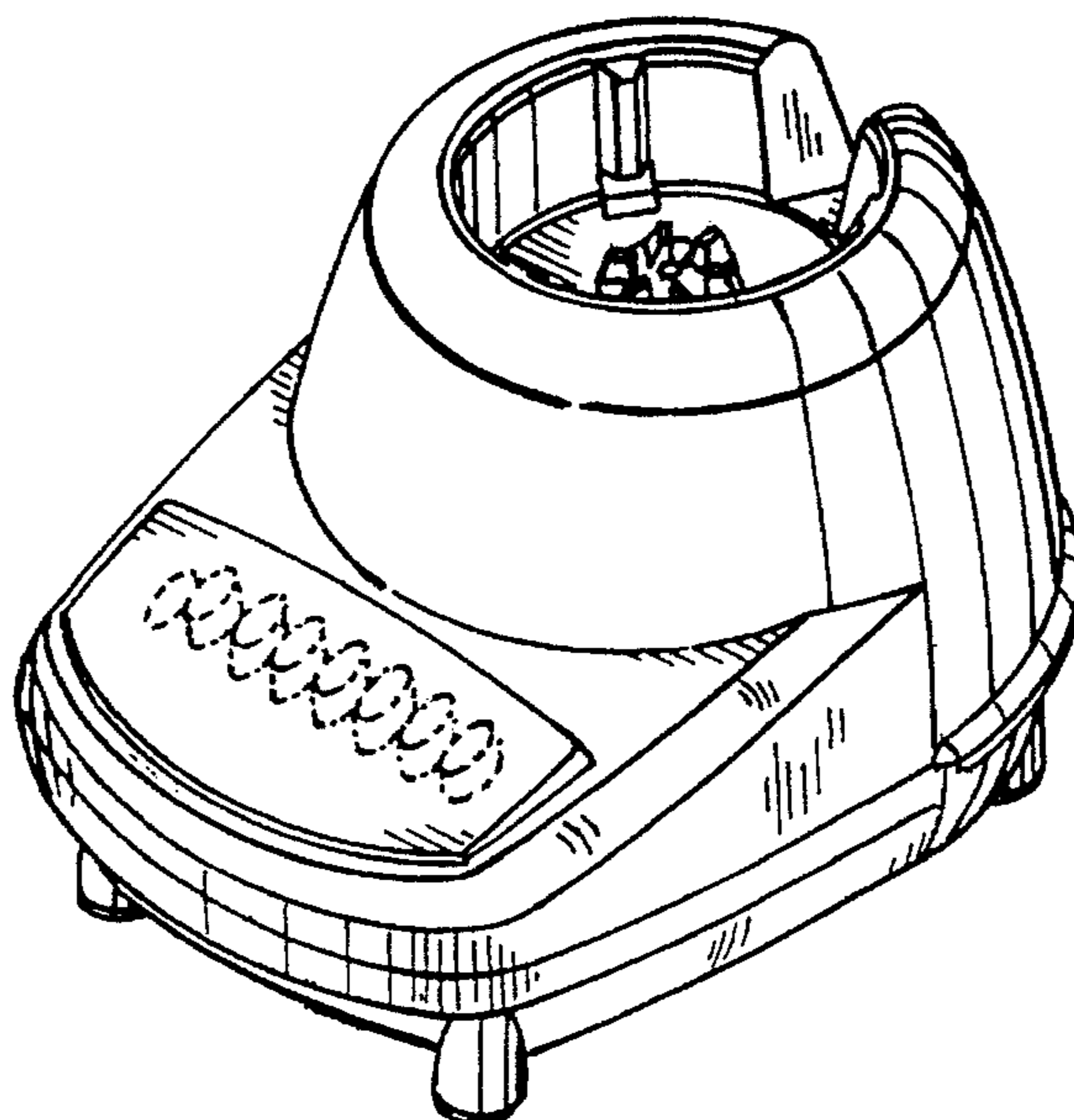


FIG-1

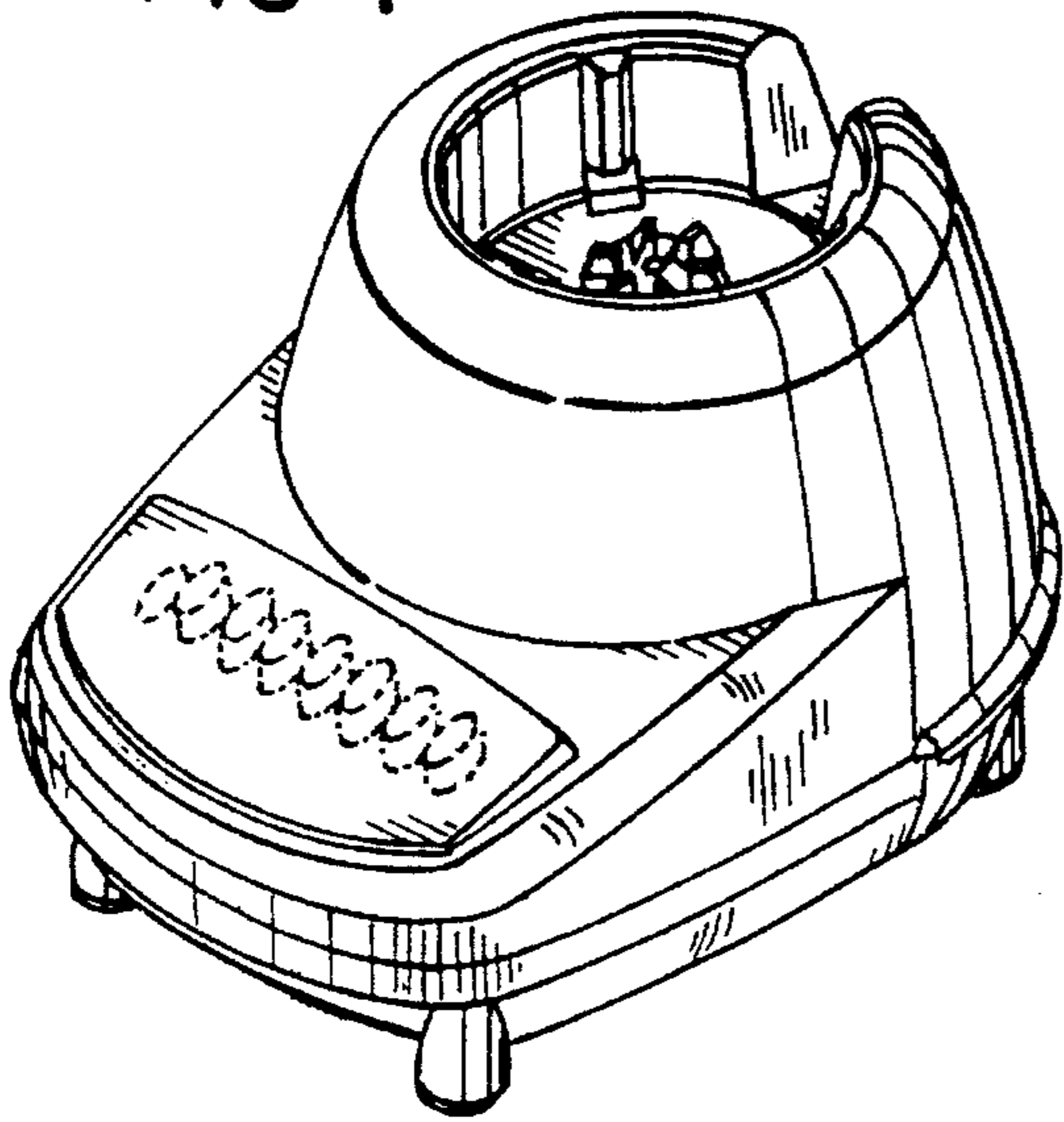


FIG-2

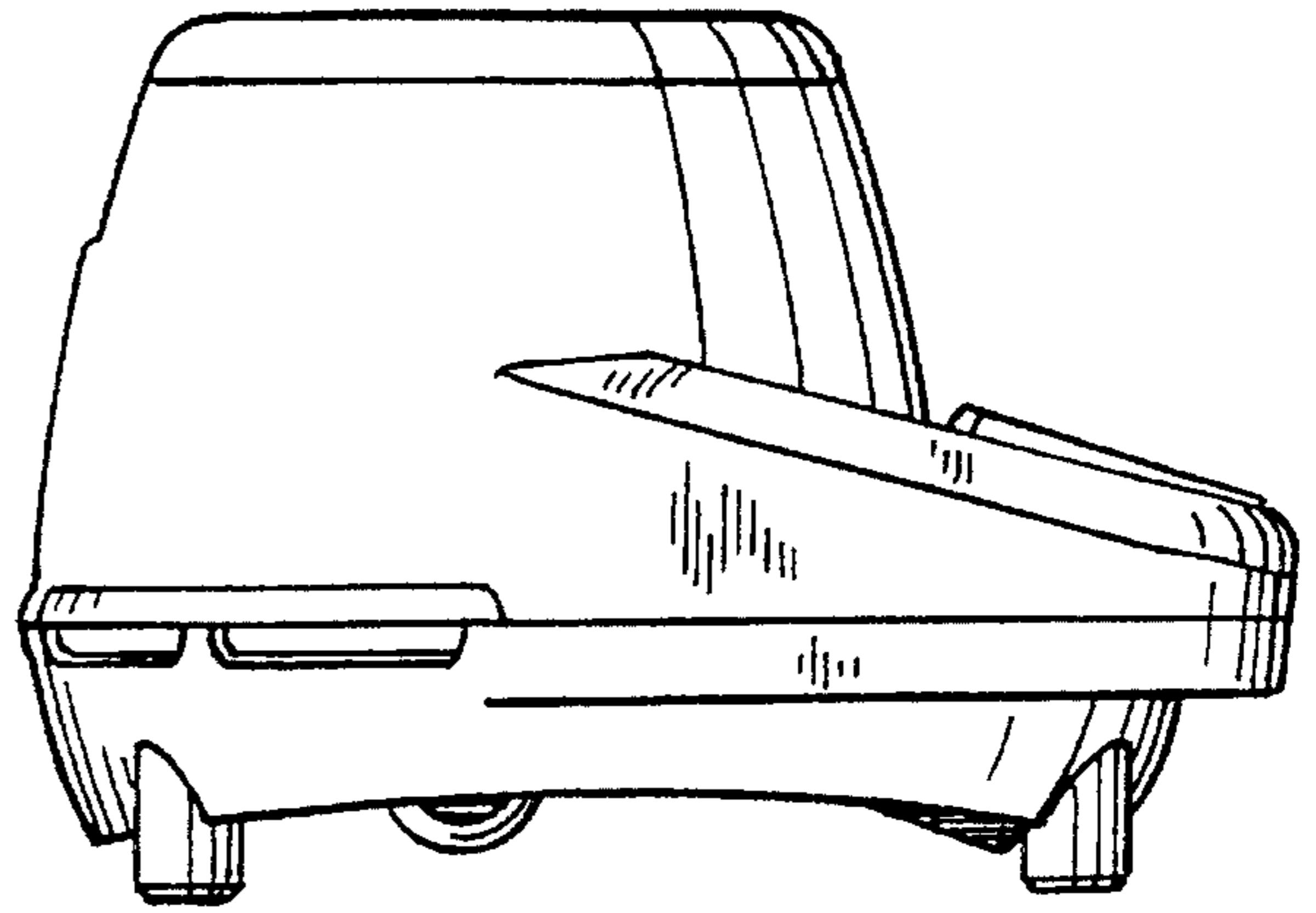


FIG-3

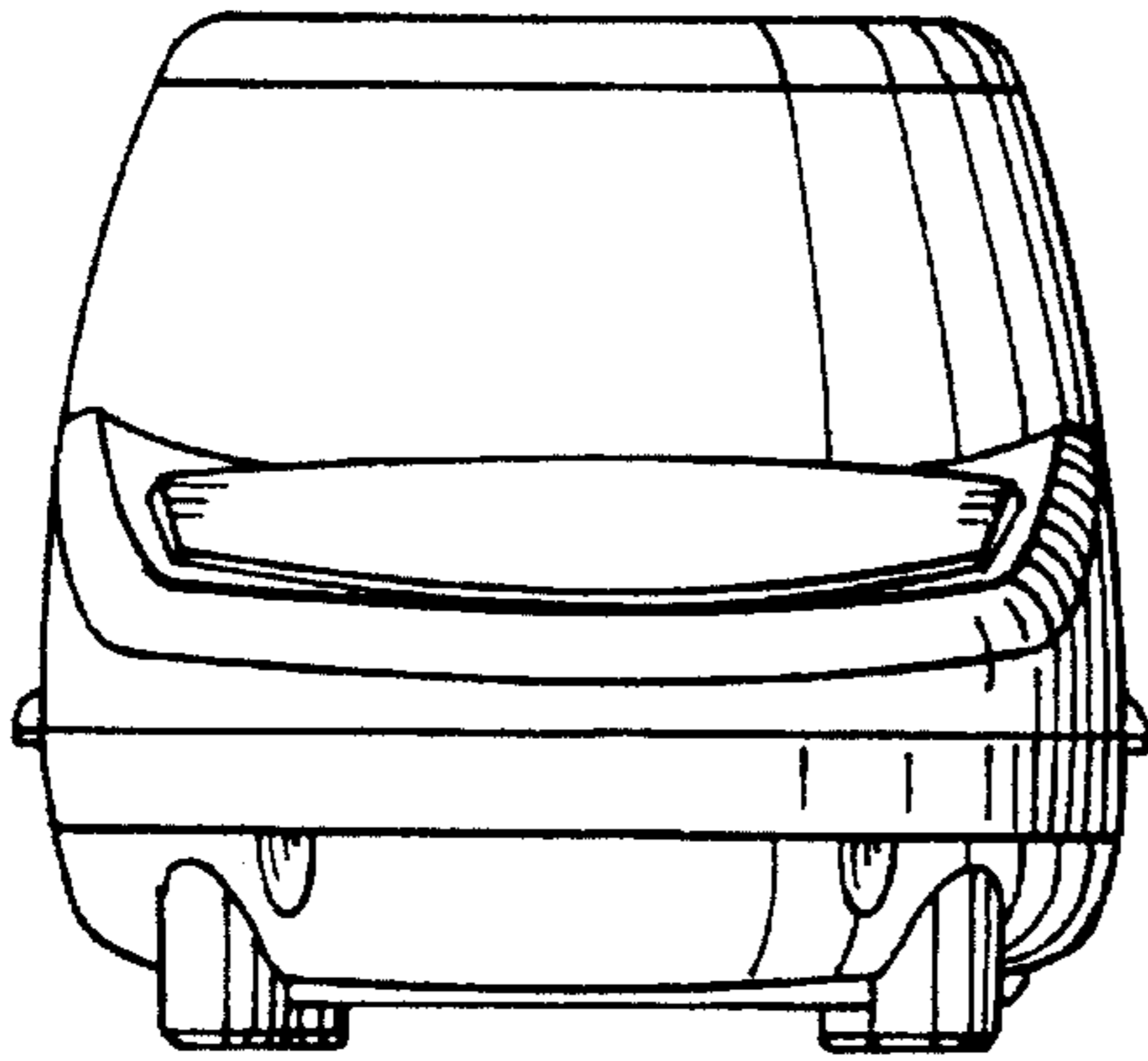


FIG-4

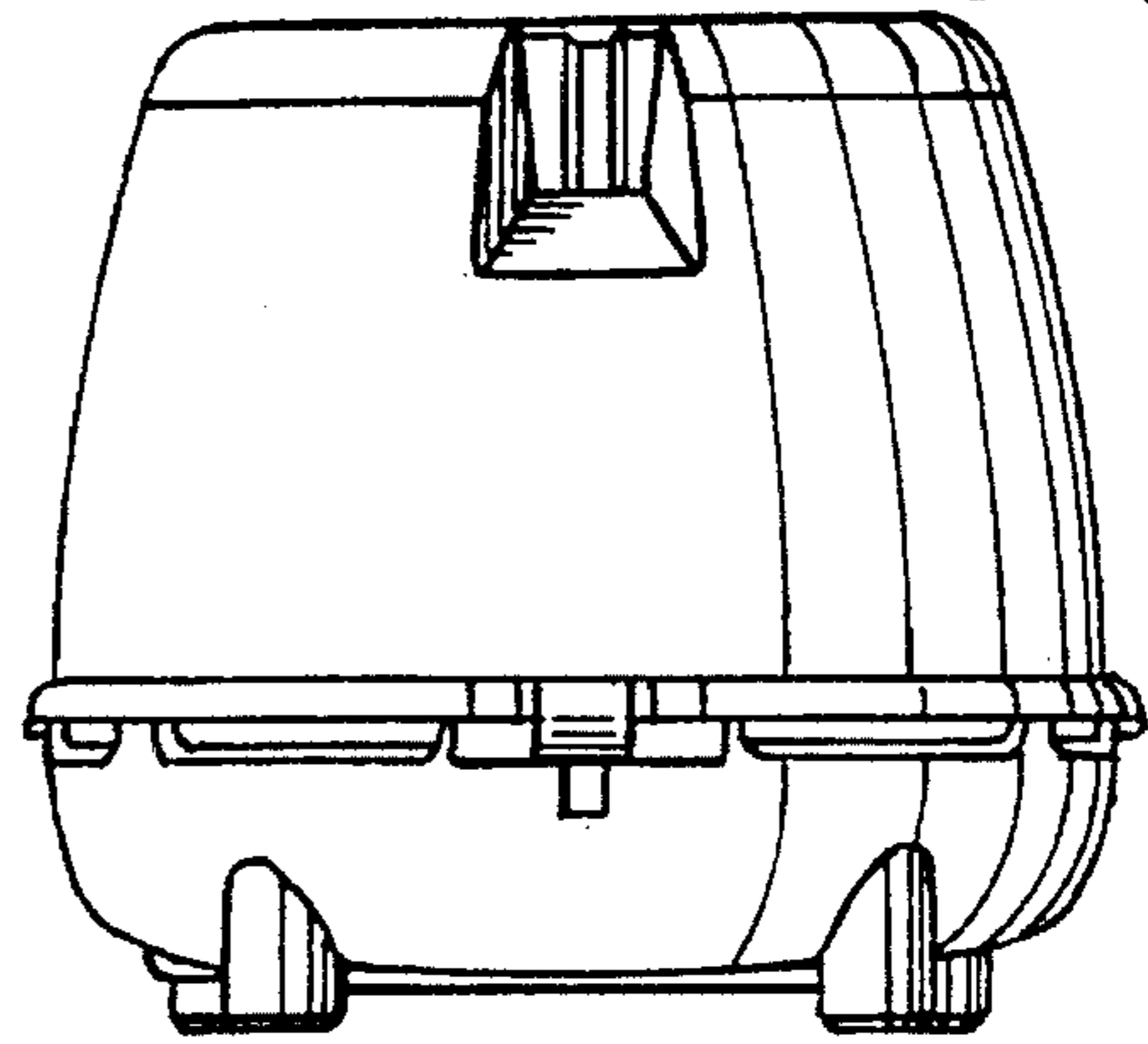


FIG-5

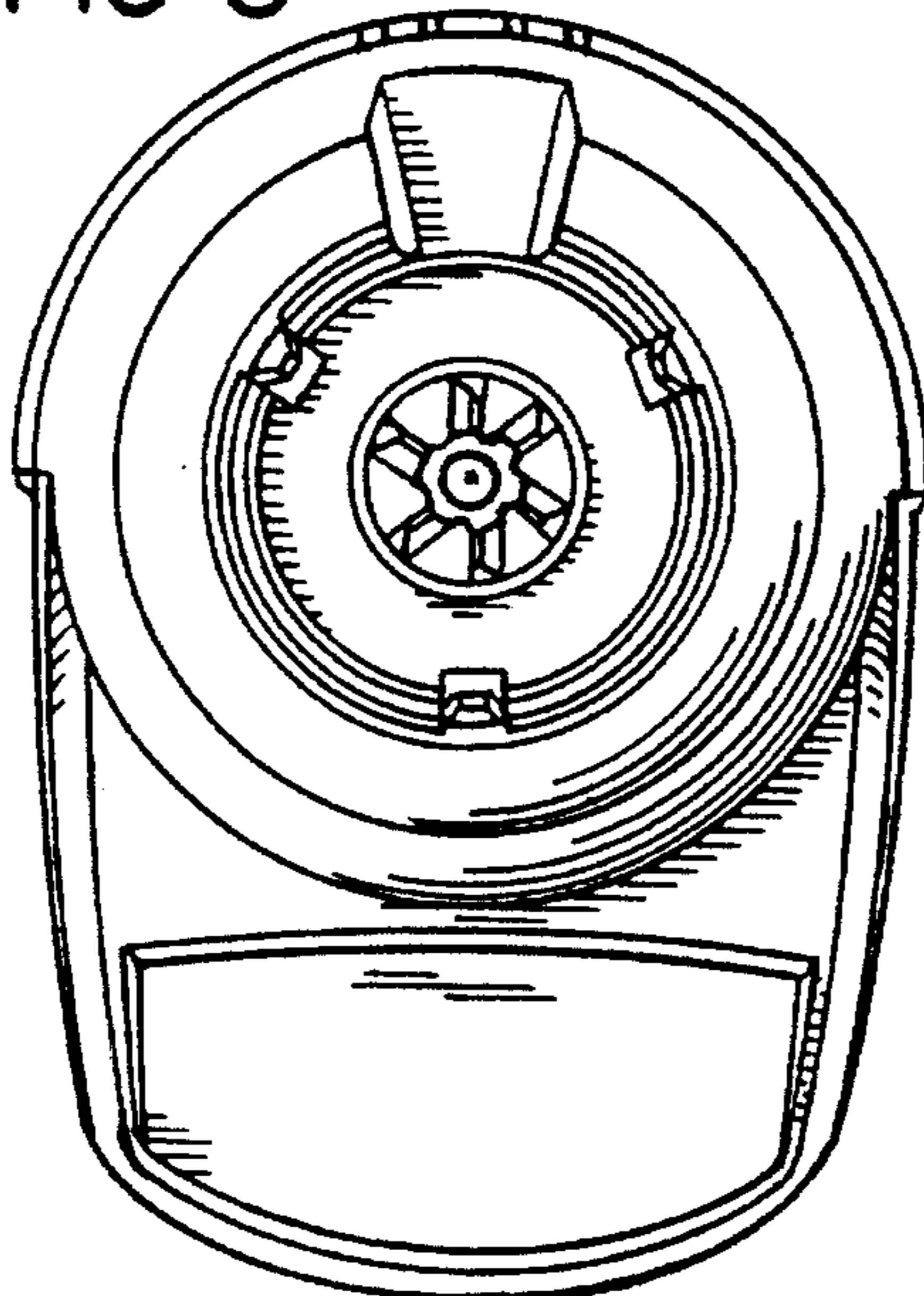


FIG-6

