



US00D369511S

United States Patent [19]
Chen

[11] **Patent Number: Des. 369,511**

[45] **Date of Patent: **May 7, 1996**

[54] **FOOD PROCESSOR**

5,222,430 6/1993 Wang 241/282.1 X

[76] Inventor: **Tse-Hsiung Chen**, P.O. Box 82-144,
Taipei, Taiwan

Primary Examiner—Alan P. Douglas
Assistant Examiner—Caron D. Veynar
Attorney, Agent, or Firm—Alfred Lei

[**] Term: **14 Years**

[57] **CLAIM**

[21] Appl. No.: **36,114**

The ornamental design for a food processor, as shown and described.

[22] Filed: **Mar. 13, 1995**

[52] U.S. Cl. **D7/384**

DESCRIPTION

[58] **Field of Search** D7/376, 378, 383,
D7/384, 386, 412, 413; 99/495, 510-513;
241/37, 92, 93, 282.1, 282.2, 401; 366/129,
130, 197, 199, 204, 205, 314

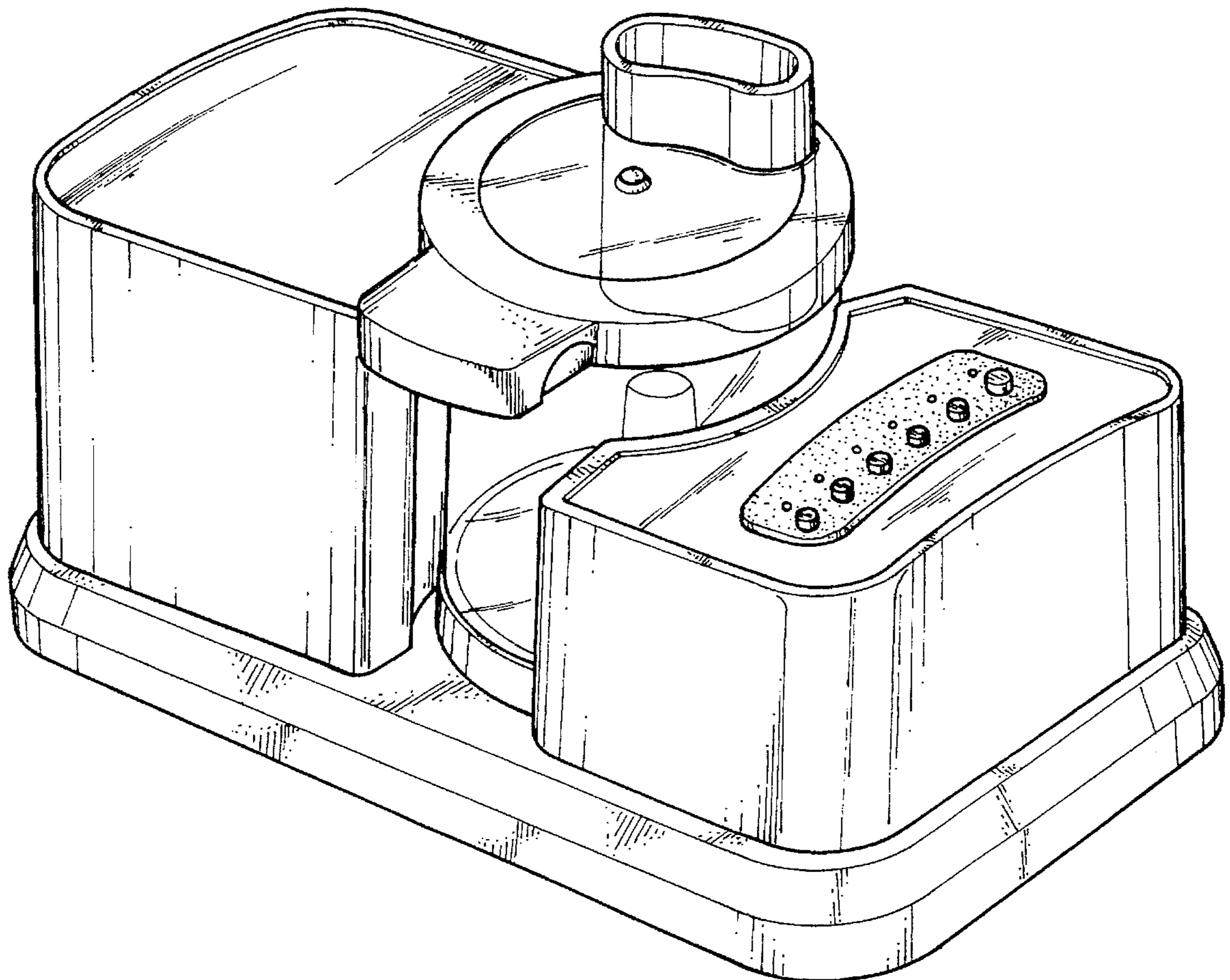
FIG. 1 is a perspective view of a food processor showing my new design;
FIG. 2 is a front side elevational view thereof;
FIG. 3 is a rear side elevational view thereof;
FIG. 4 is a left view thereof;
FIG. 5 is a right view thereof;
FIG. 6 is a top plan view thereof; and,
FIG. 7 is a bottom plan view thereof.

[56] **References Cited**

U.S. PATENT DOCUMENTS

D. 191,153	8/1961	Gresens	D7/386
D. 267,538	1/1983	Steinkamp et al.	D7/386
D. 290,676	7/1987	Stutzer et al.	D7/383 X
4,113,188	9/1978	Belinkoff	D7/384 X

1 Claim, 4 Drawing Sheets



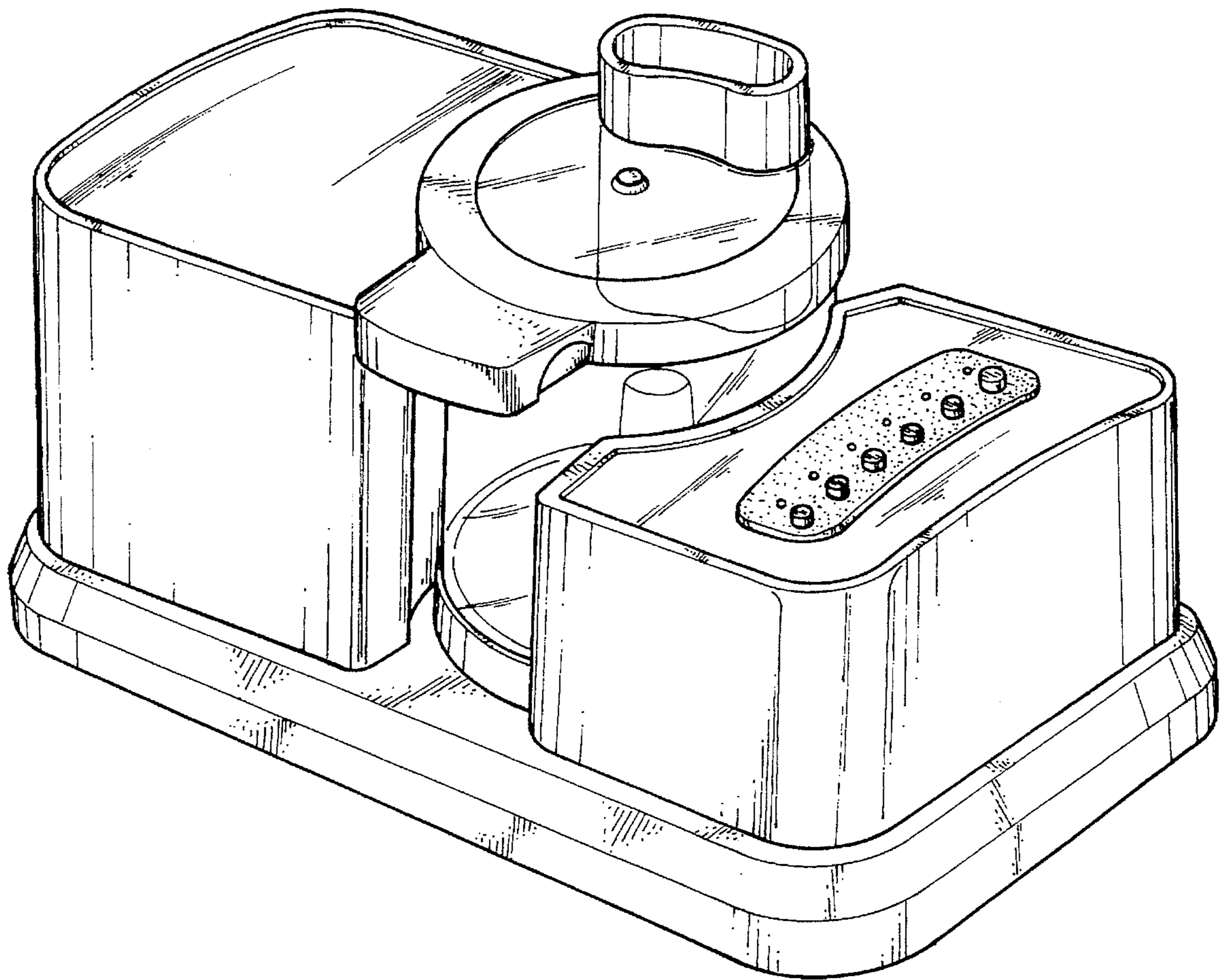


FIG. 1

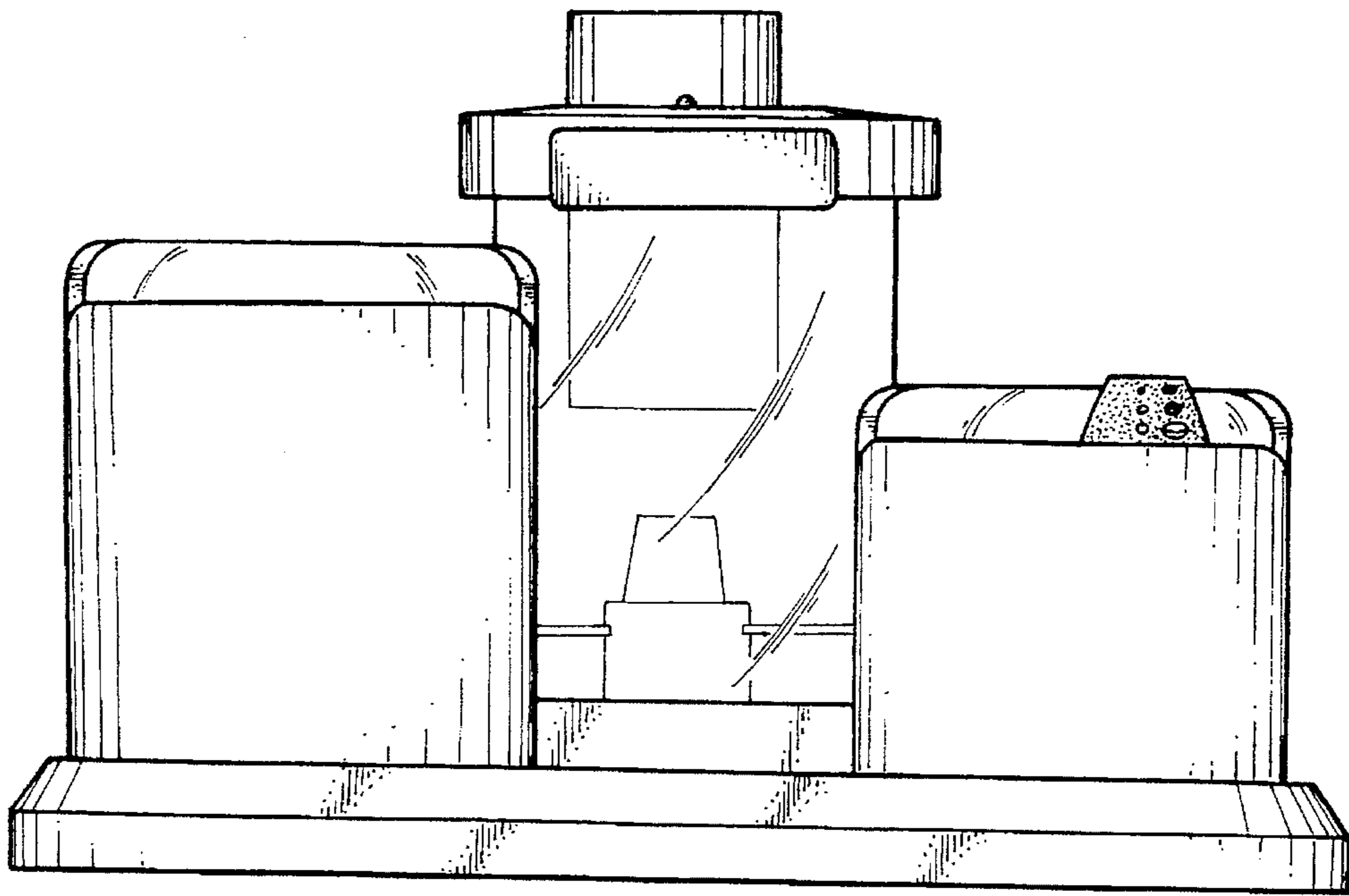


FIG. 2

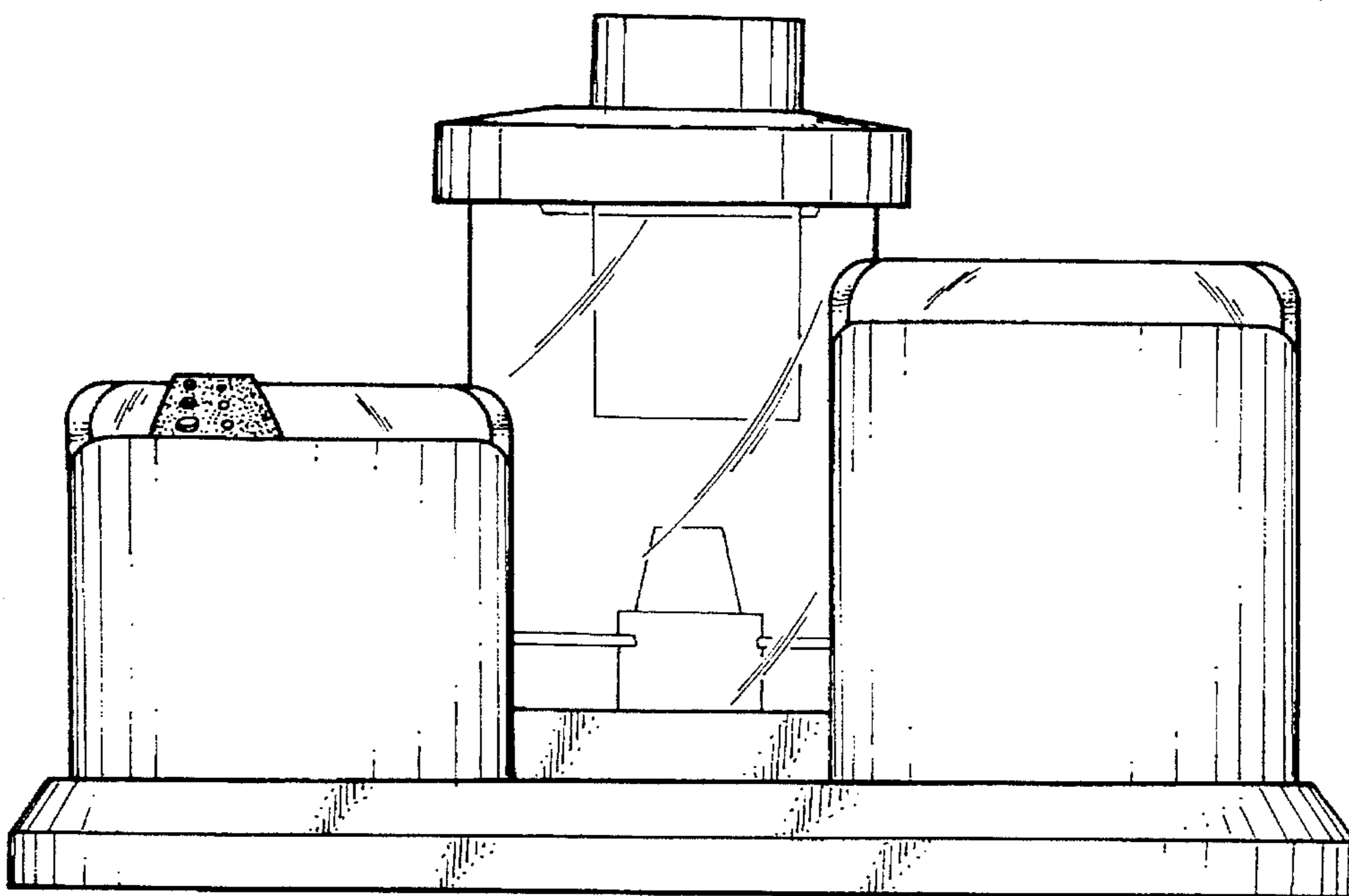


FIG. 3

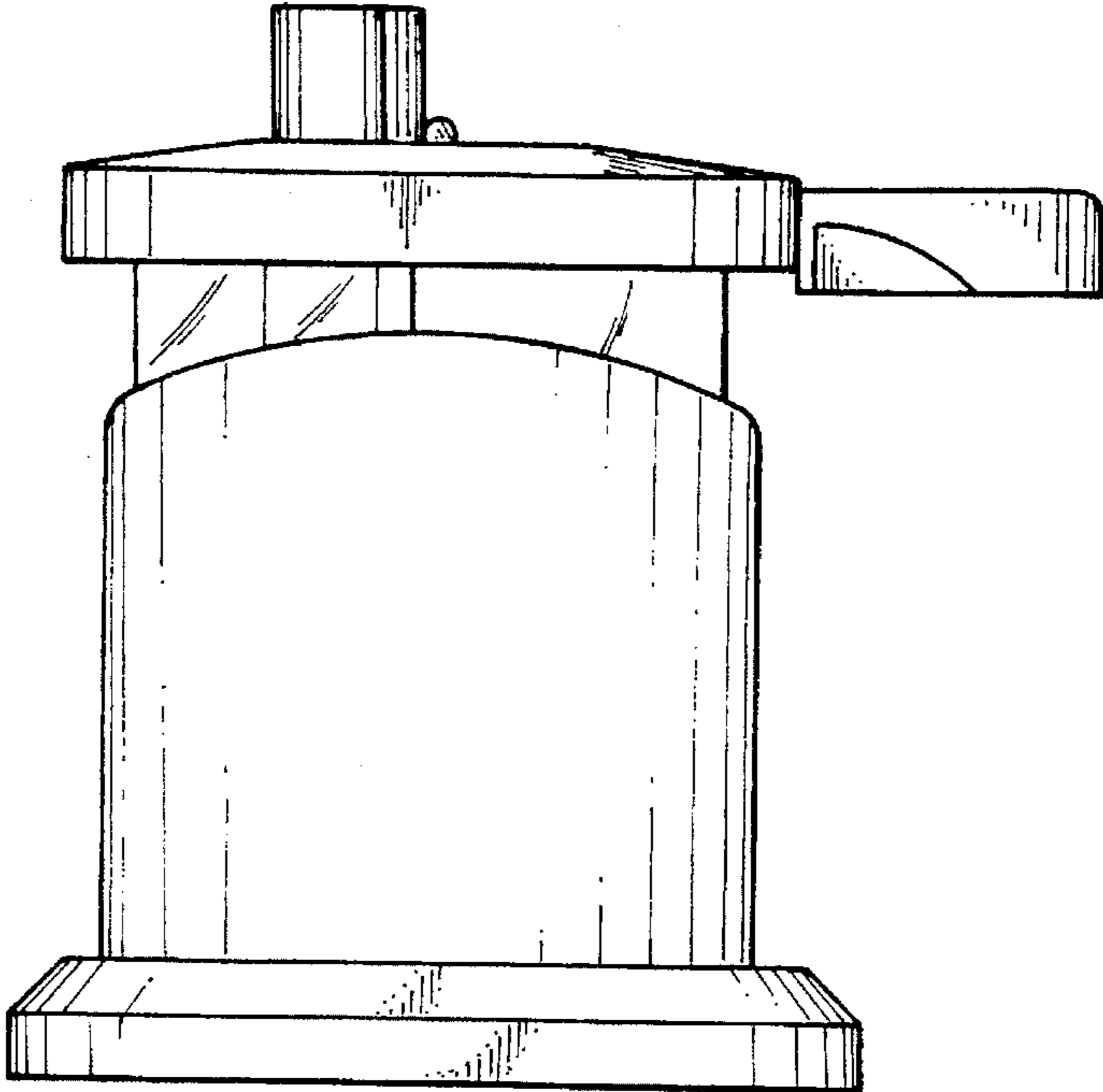


FIG. 4

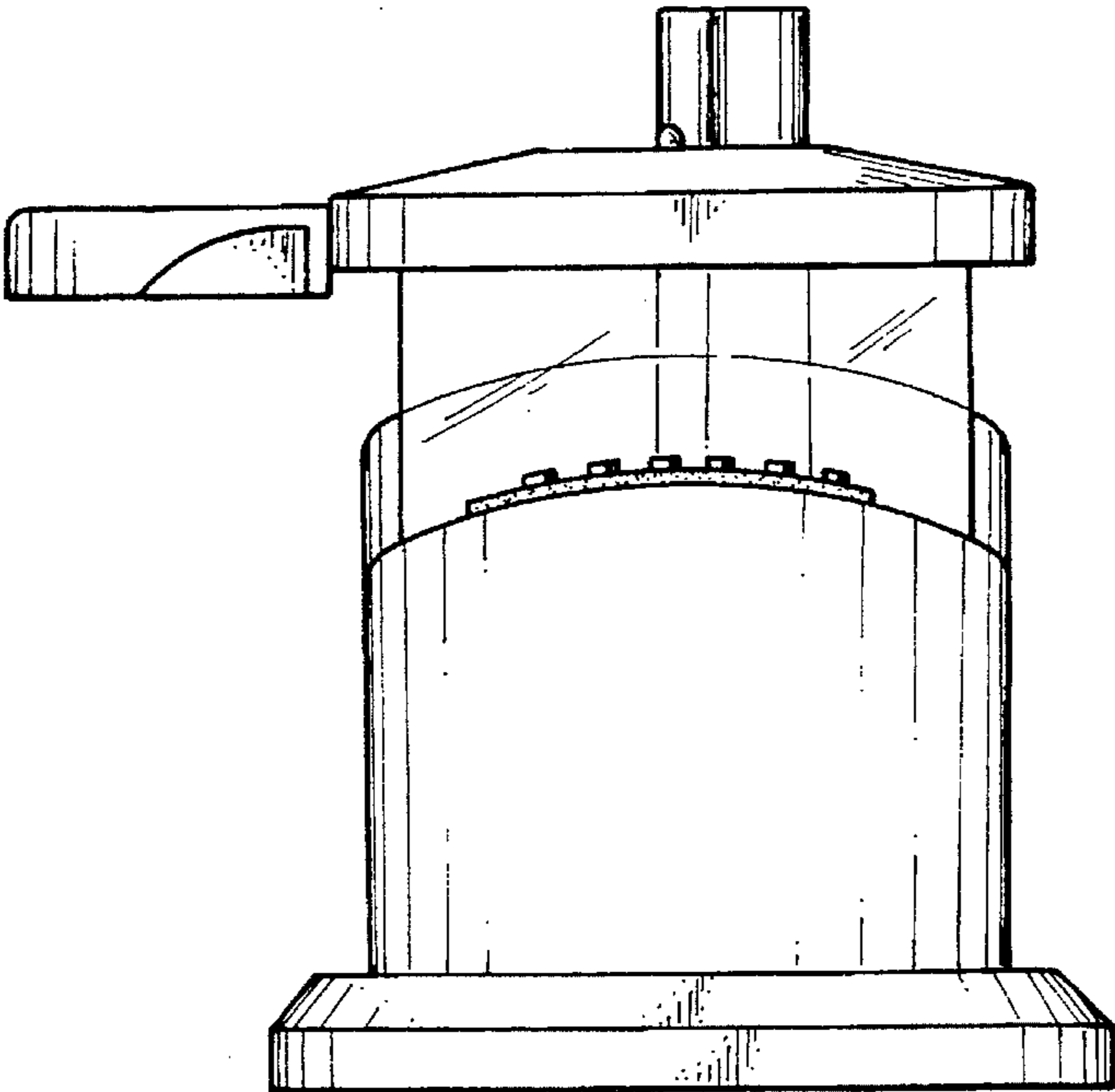


FIG. 5

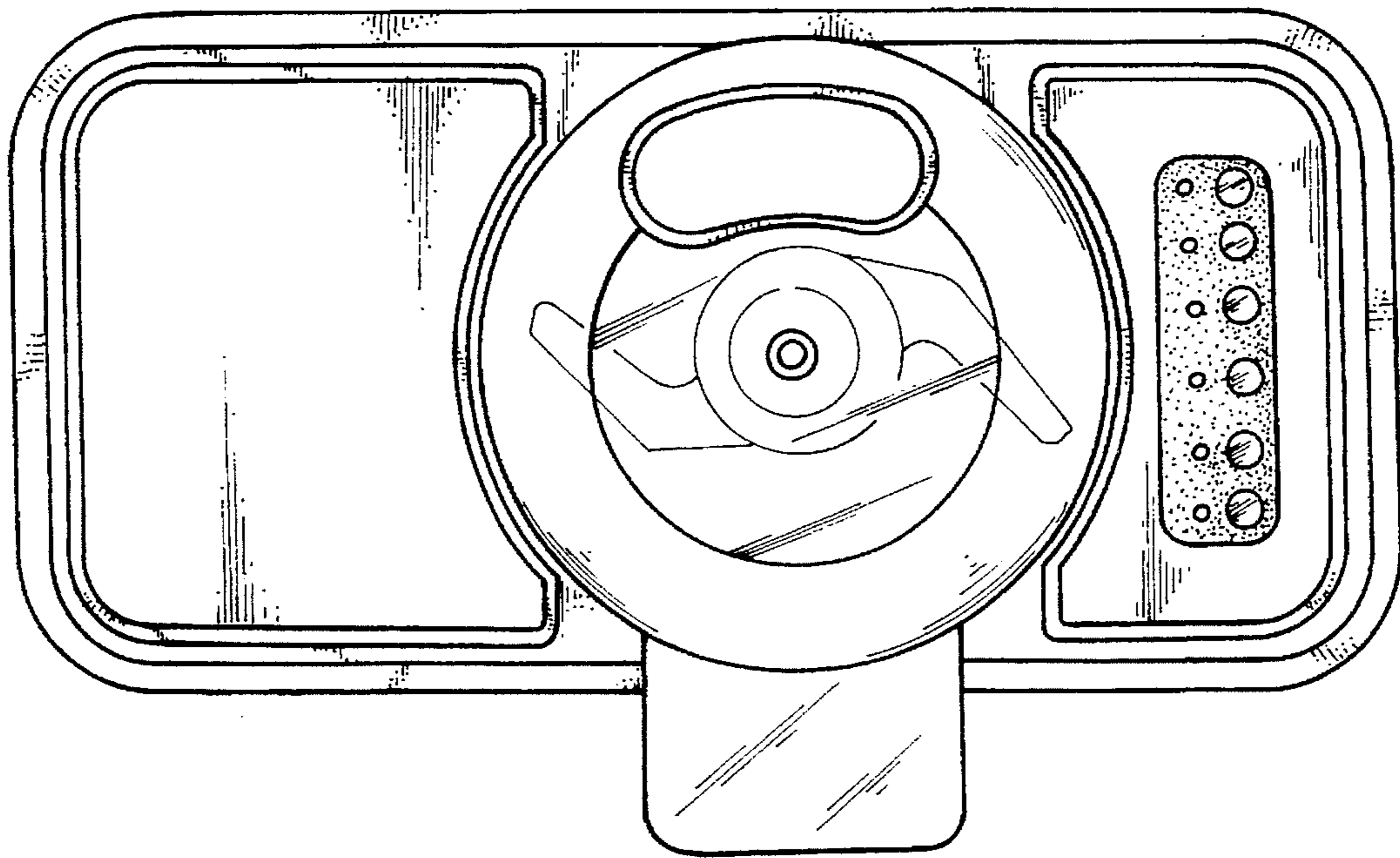


FIG. 6

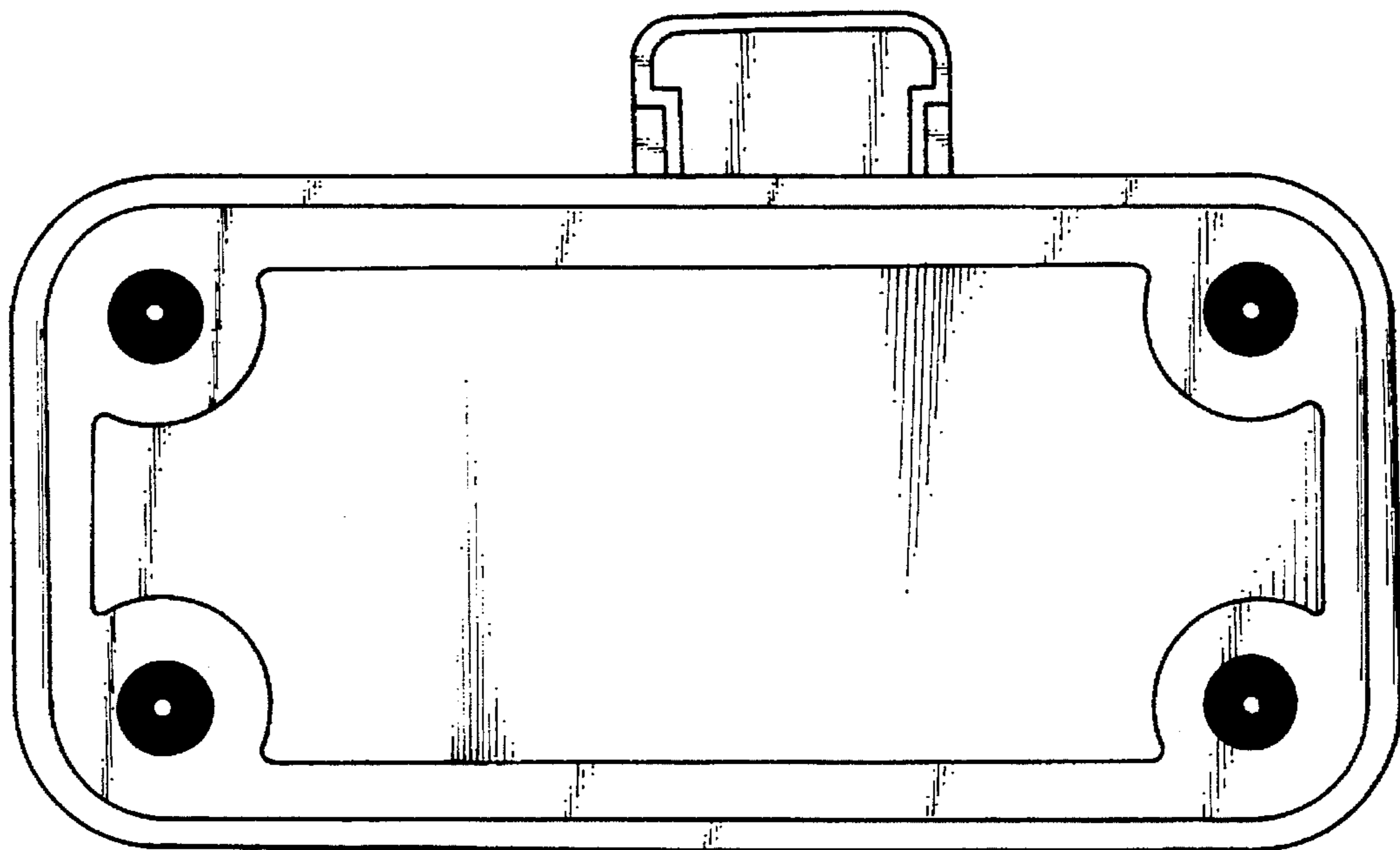


FIG. 7