



US00D369510S

United States Patent [19]

Powers et al.

[11] Patent Number: **Des. 369,510**

[45] Date of Patent: ****May 7, 1996**

[54] **TWIN PISTON PUMP**

[75] Inventors: **Richard G. Powers**, Overland Park, Kans.; **Drake L. Koch**, Kansas City, Mo.

[73] Assignee: **Marlen Research Corporation**, Overland Park, Kans.

[**] Term: **14 Years**

[21] Appl. No.: **28,274**

[22] Filed: **Sep. 9, 1994**

[52] U.S. Cl. **D7/376**

[58] Field of Search D7/376, 368, 412, D7/414, 415; 241/82.1, 82.5, 30; 15/7

[56] **References Cited**

U.S. PATENT DOCUMENTS

- D. 195,289 5/1963 Cordis D15/7
- D. 196,811 11/1963 Laser D7/376
- D. 209,922 1/1968 Golding D7/376

- D. 319,370 8/1991 Otto D7/376
- D. 328,003 7/1992 Matson et al. D7/376
- D. 344,208 2/1994 Musseau D7/376
- 1,109,800 9/1914 Sorensen D7/368

Primary Examiner—Ralf Seifert

Attorney, Agent, or Firm—Hovey, Williams, Timmons & Collins

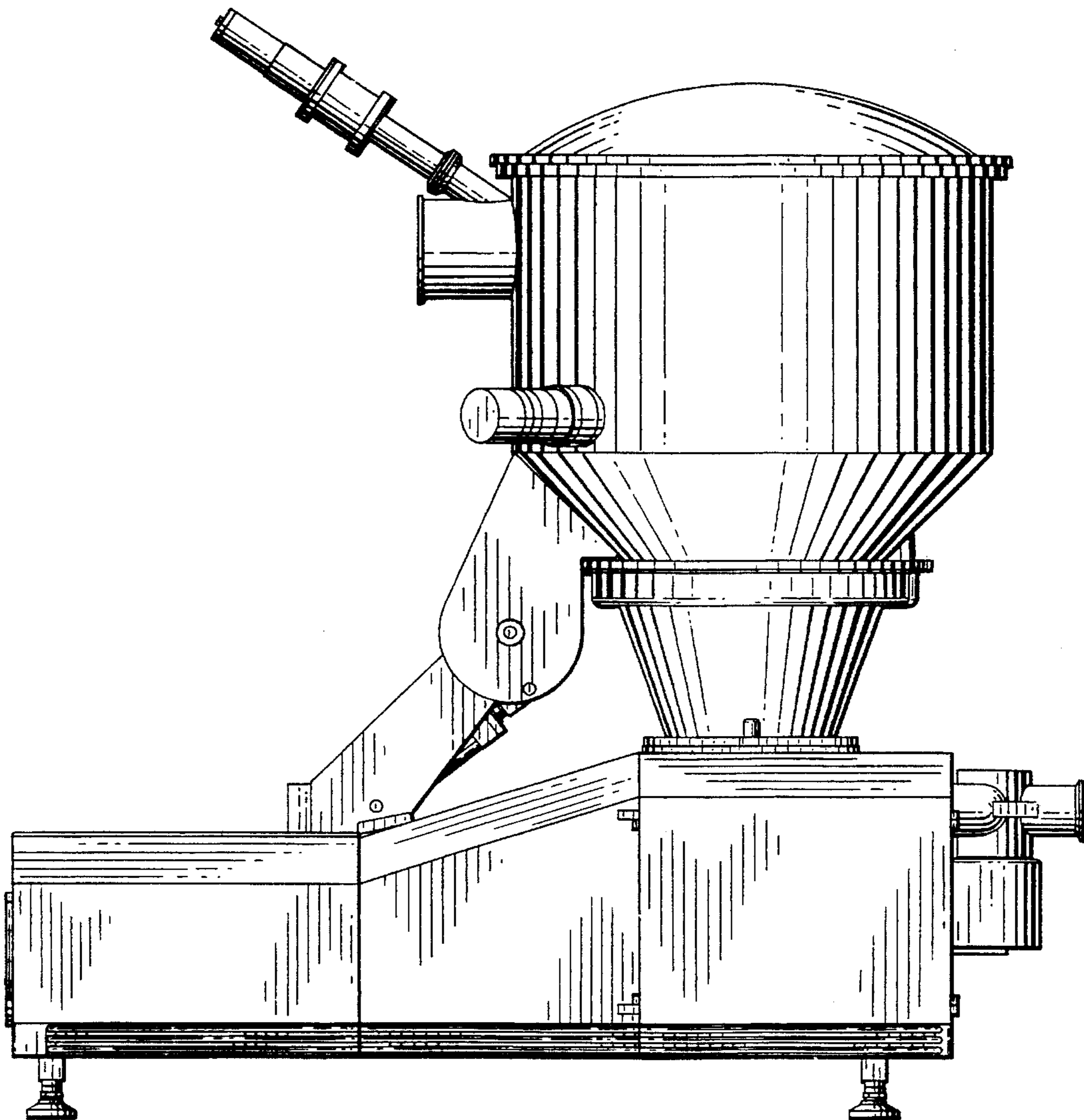
[57] **CLAIM**

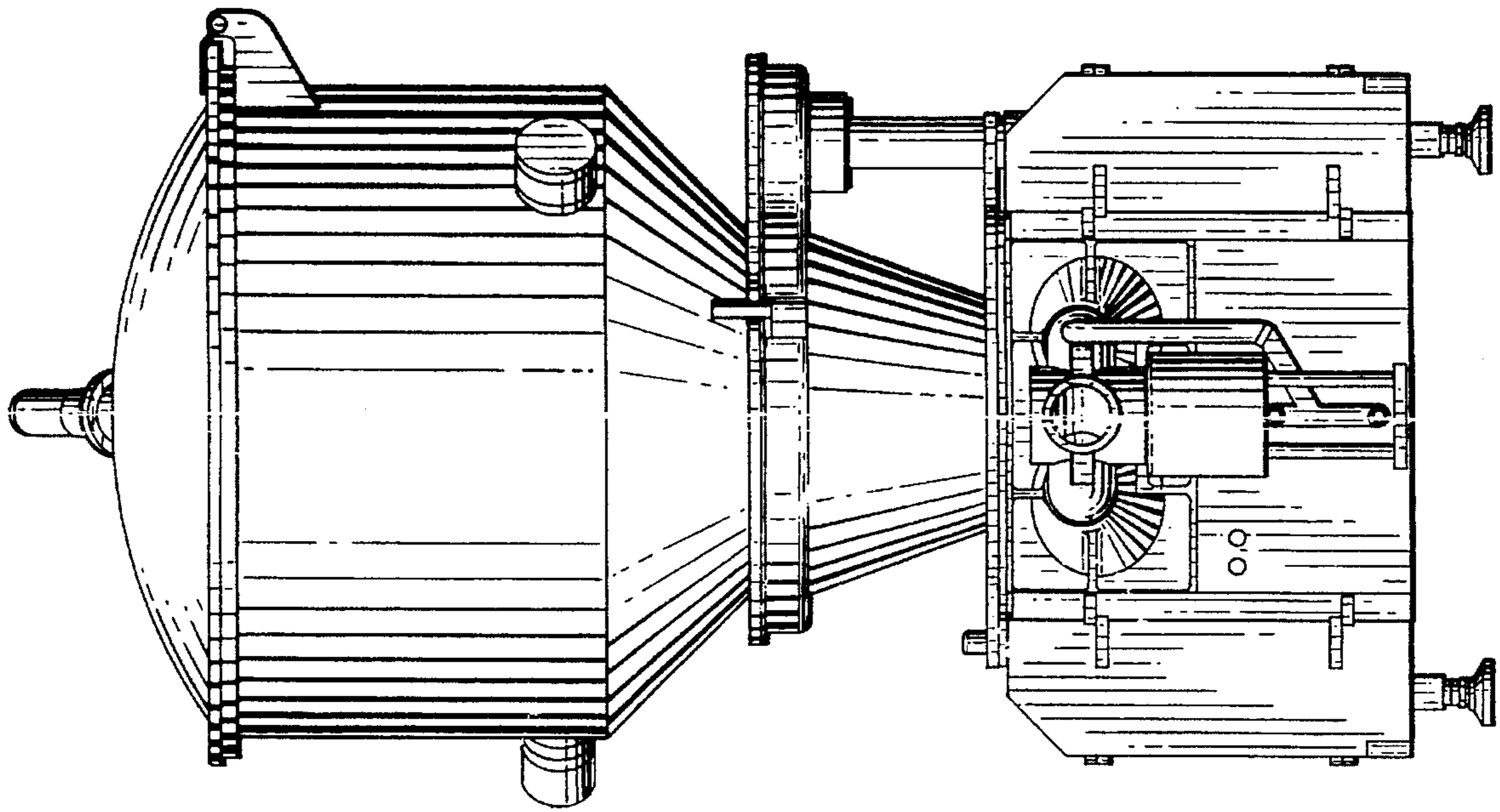
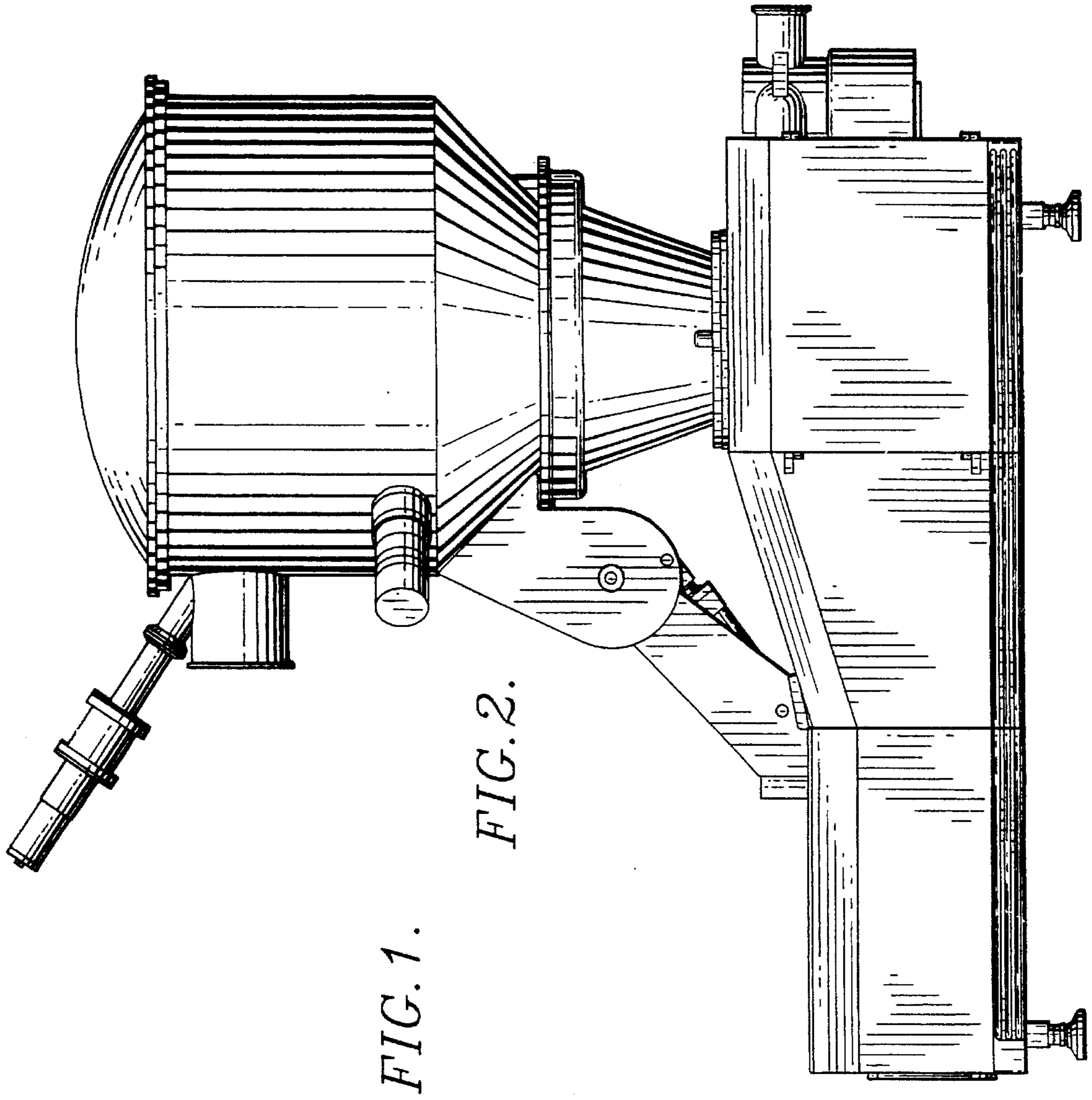
The ornamental design for a twin piston pump, as shown and described.

DESCRIPTION

FIG. 1 is a front elevational view of a twin piston pump in accordance with the invention;
 FIG. 2 is a side elevational view thereof;
 FIG. 3 is a side elevational view thereof, illustrating the side opposite that depicted in FIG. 2;
 FIG. 4 is a rear elevational view thereof; and,
 FIG. 5 is a plan view thereof.

1 Claim, 3 Drawing Sheets





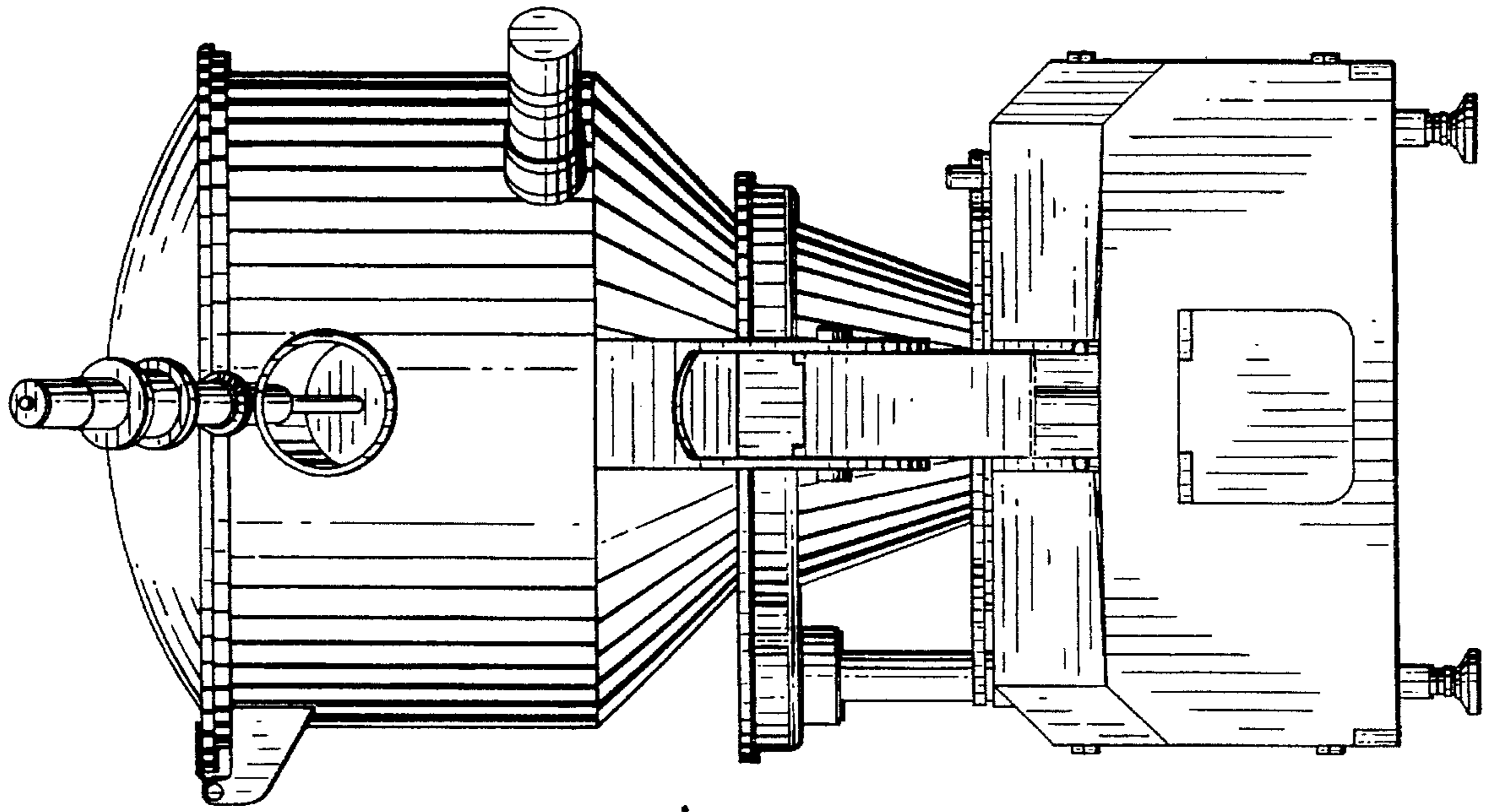


FIG. 4.

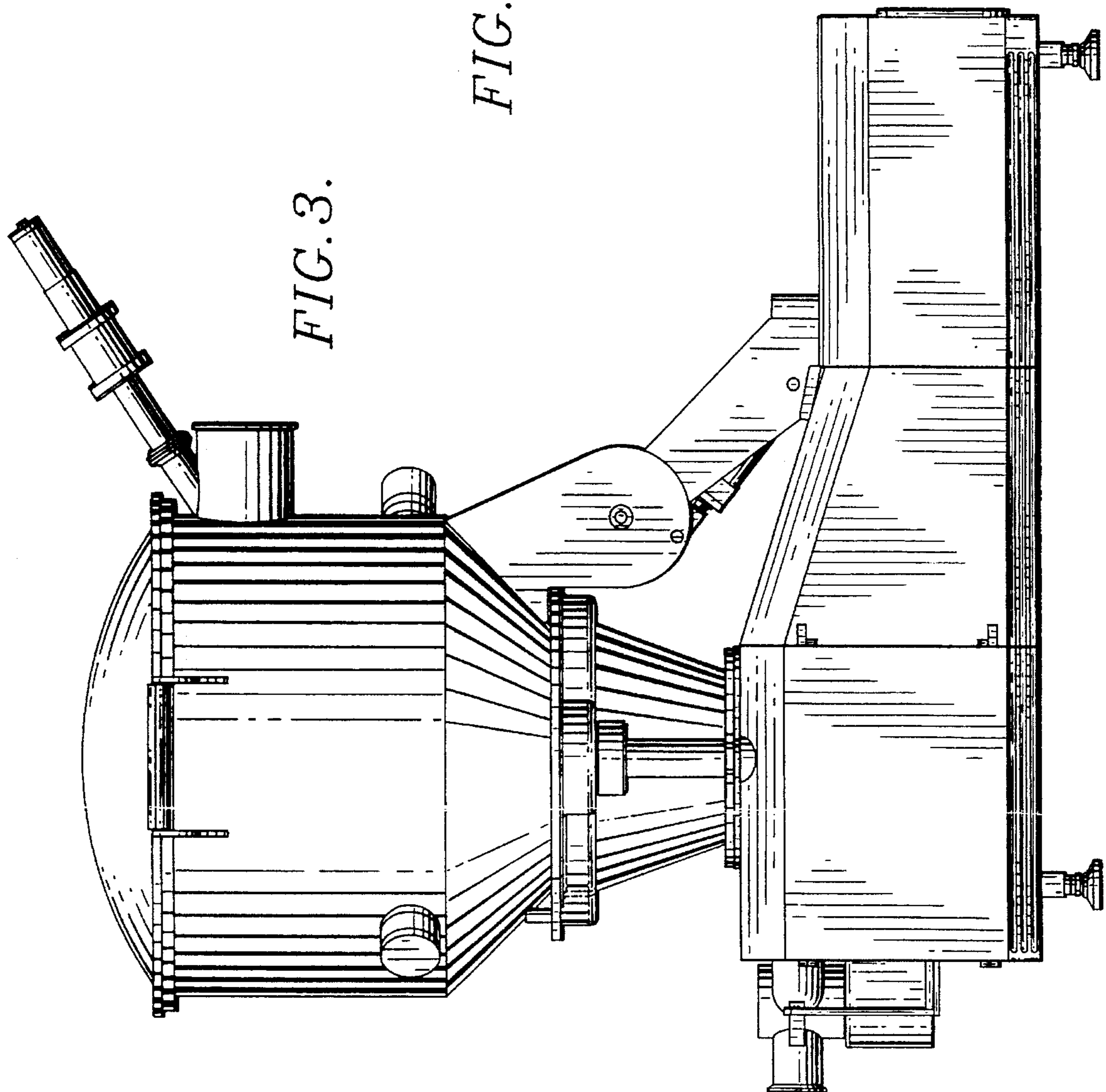


FIG. 3.

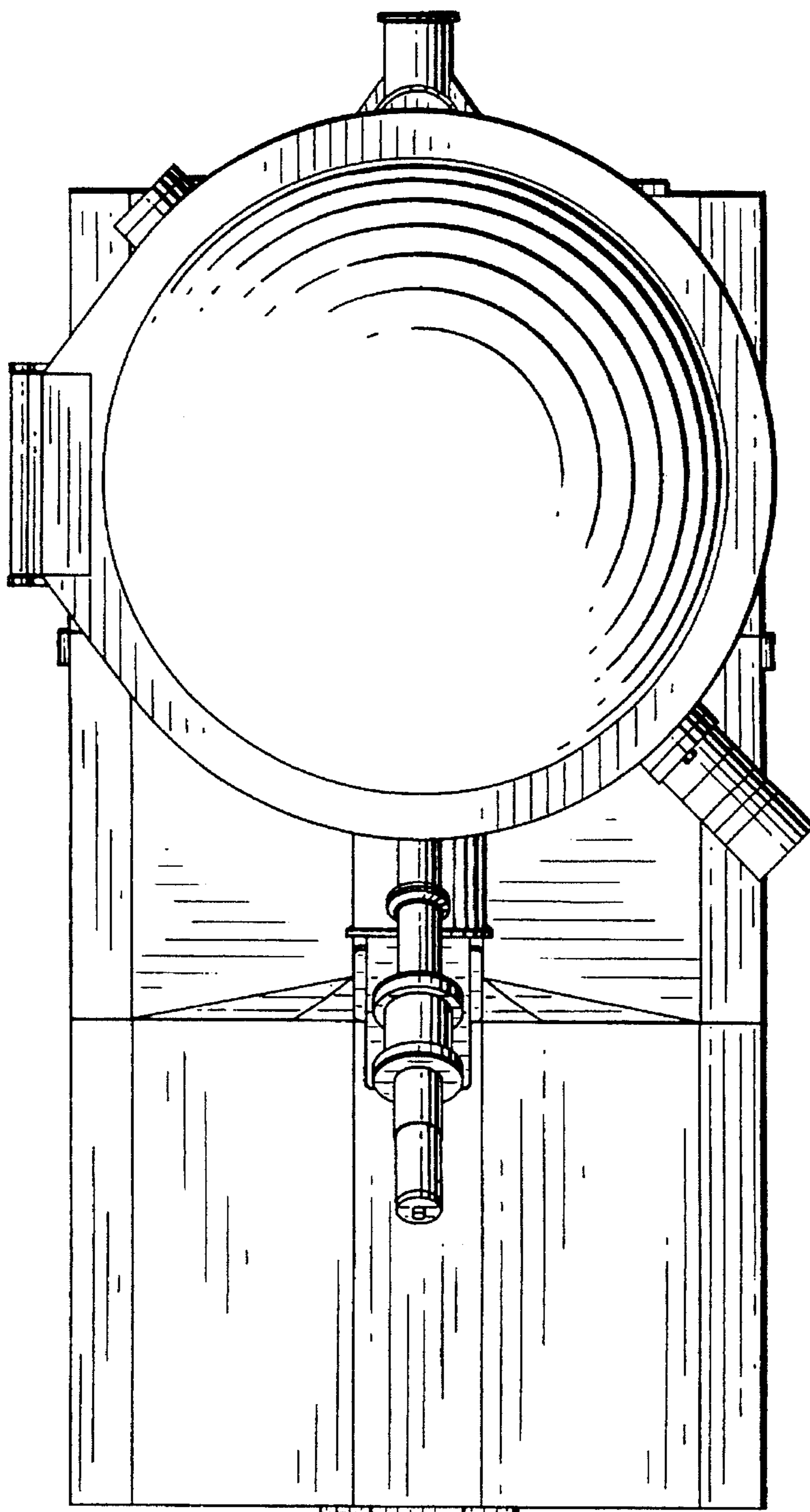


FIG. 5.