



US00D369509S

United States Patent [19]

[11] Patent Number: **Des. 369,509**

Kaga et al.

[45] Date of Patent: ****May 7, 1996**

[54] **PORTABLE COOKING STOVE**

[75] Inventors: **Yosimitu Kaga; Katsuyoshi Okuda,**
both of Shizuoka, Japan

[73] Assignee: **Tokai Corporation,** Shizuoka, Japan

[**] Term: **14 Years**

[21] Appl. No.: **30,601**

[22] Filed: **Nov. 3, 1994**

[52] U.S. Cl. **D7/362**

[58] Field of Search D7/332, 335, 337,
D7/331, 339, 407, 408, 362, 367, 364;
126/39 B, 39 H, 38, 39 R

[56] **References Cited**

U.S. PATENT DOCUMENTS

D. 252,971 9/1979 Ito D7/337

Primary Examiner—Alan P. Douglas
Assistant Examiner—Linda Brooks
Attorney, Agent, or Firm—Brumbaugh, Graves, Donohue & Raymond

[57] **CLAIM**

The new and ornamental design for a portable cooking stove, as shown and described.

DESCRIPTION

FIG. 1 is a perspective view of a portable cooking stove showing our new design;
FIG. 2 is a plan view of the portable cooking stove;
FIG. 3 is a front view thereof,
FIG. 4 is a rear view thereof,
FIG. 5 is a right side view thereof;
FIG. 6 is a left side view thereof; and,
FIG. 7 is a bottom view thereof.

1 Claim, 4 Drawing Sheets

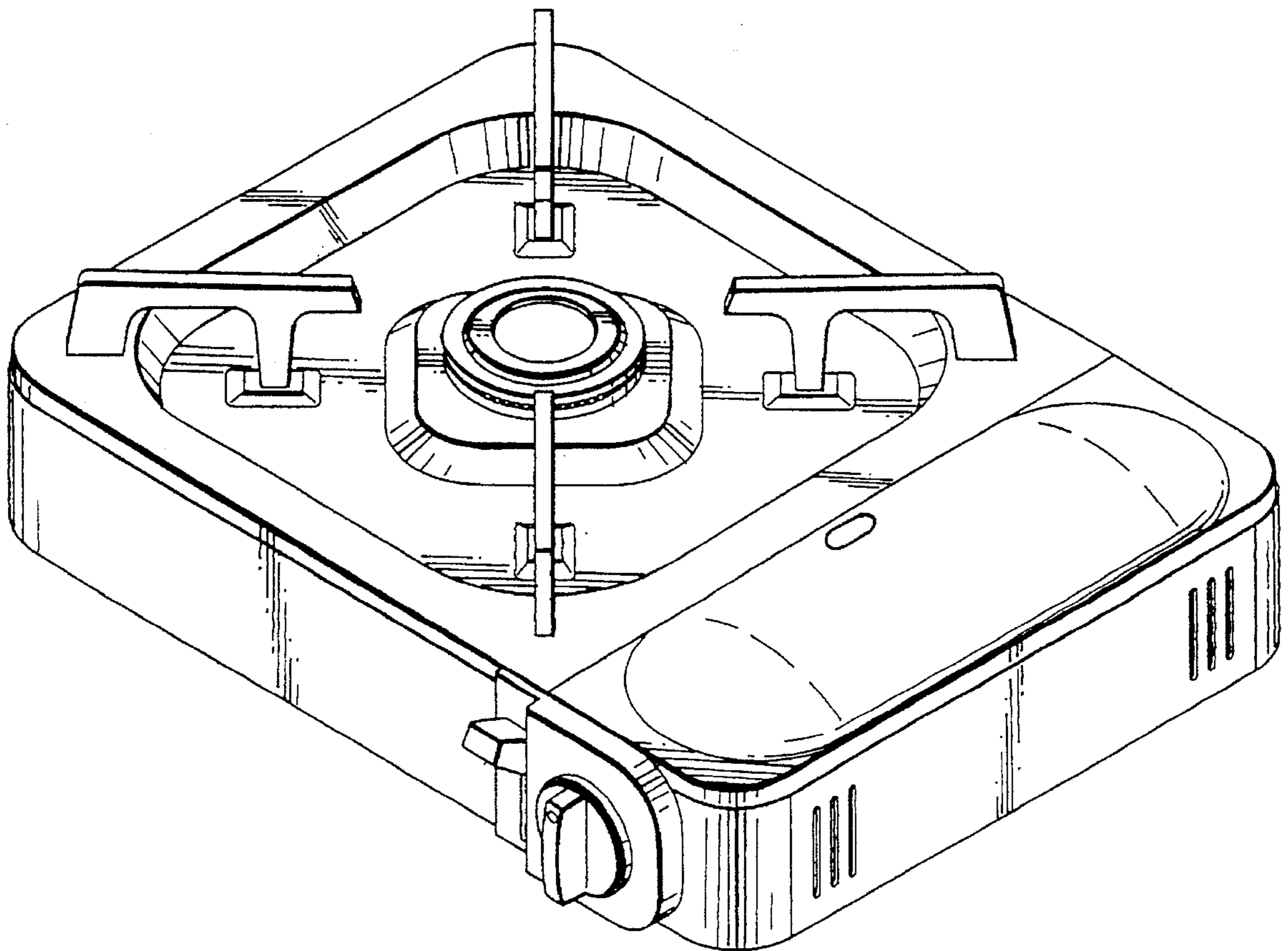


FIG. 1

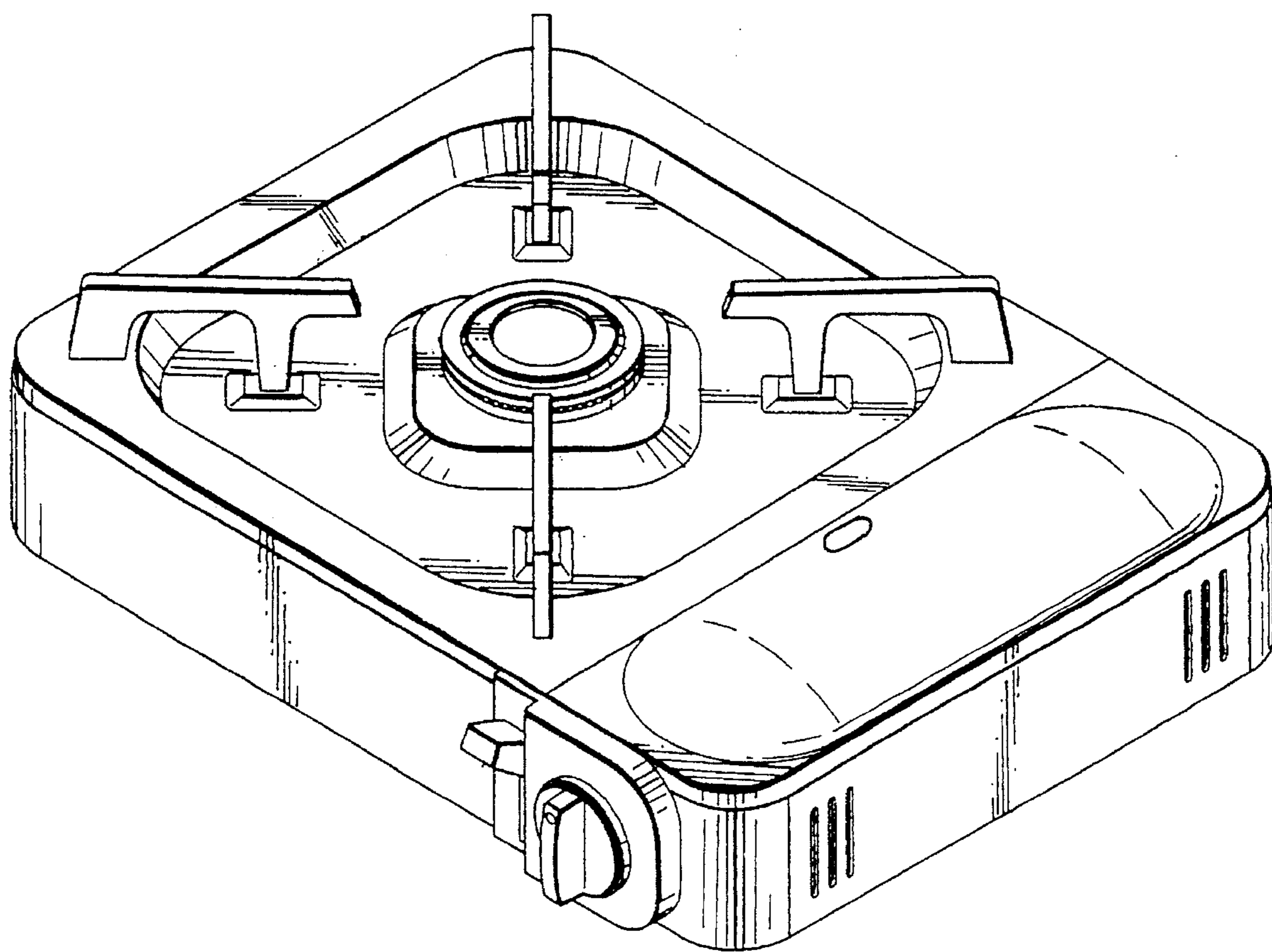


FIG. 2

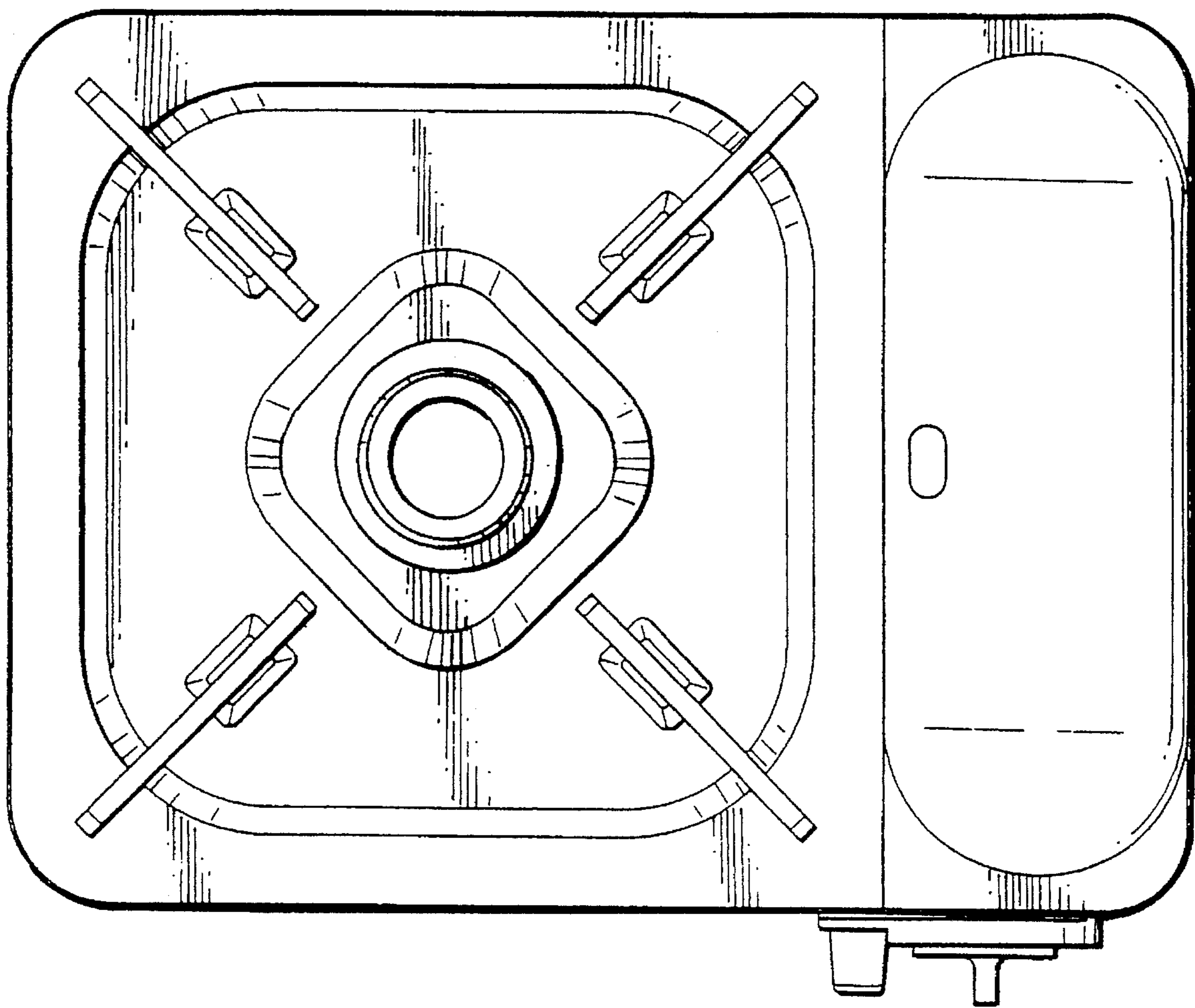


FIG. 3

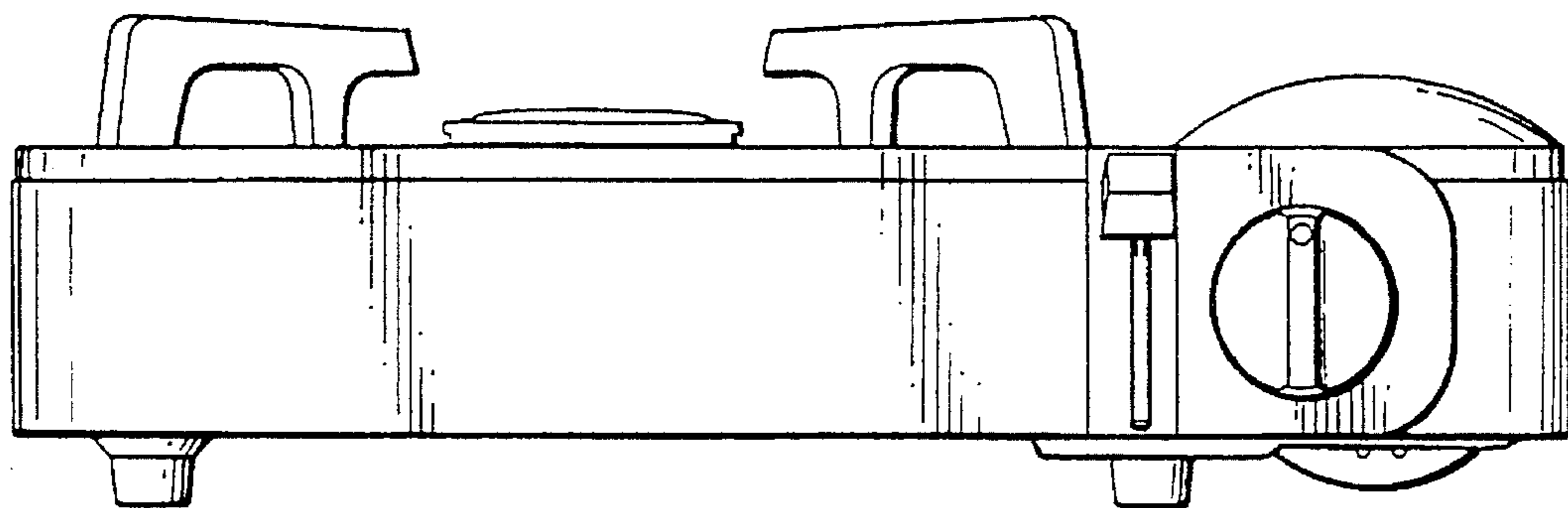


FIG. 4

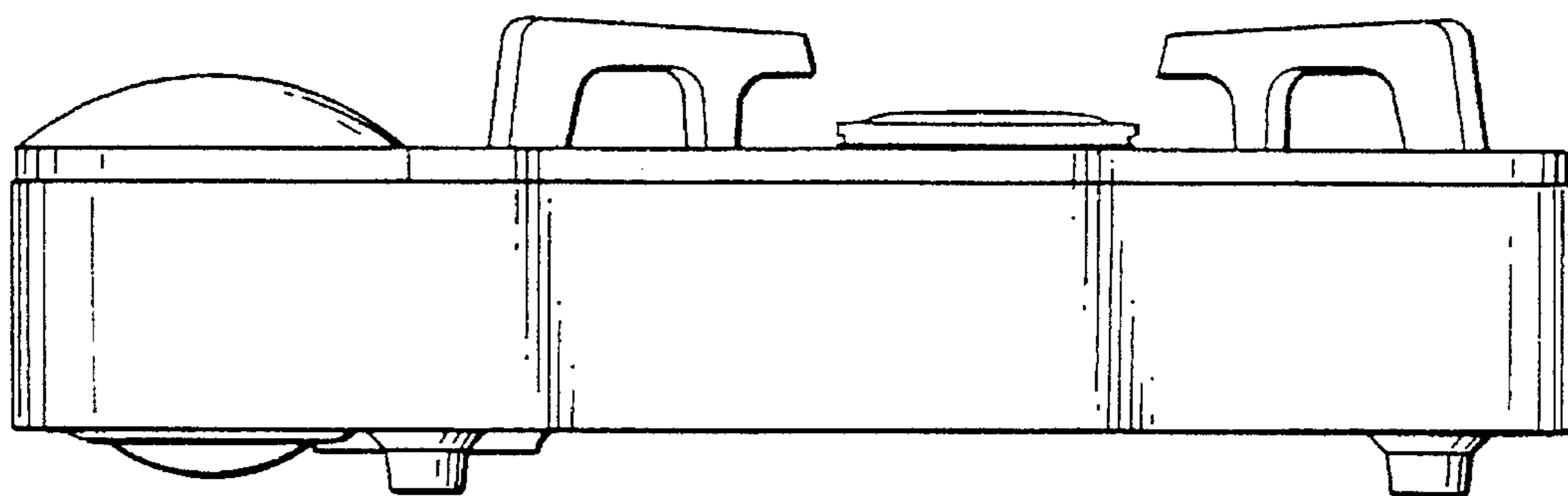


FIG. 5

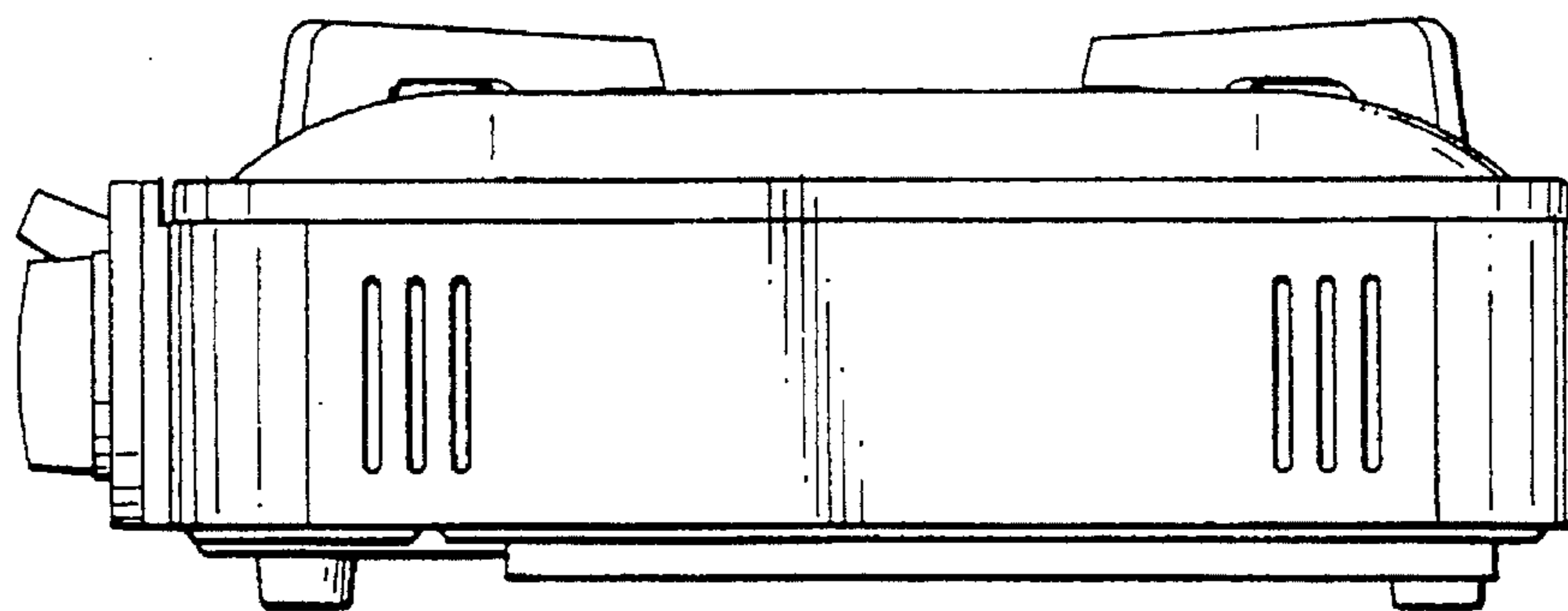


FIG. 6

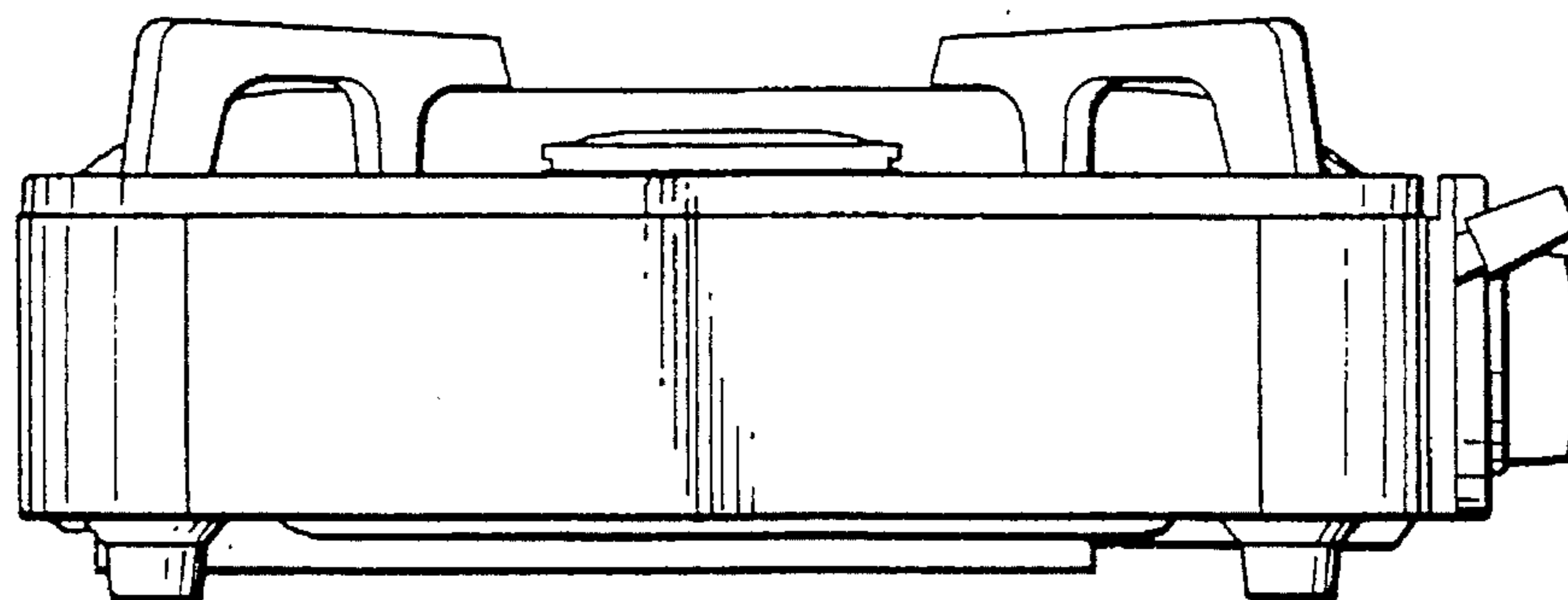


FIG. 7

