



US00D369505S

United States Patent [19]
Philippe

[11] **Patent Number:** **Des. 369,505**
[45] **Date of Patent:** ****May 7, 1996**

[54] **ELECTRIC FRYER**

[75] Inventor: **Alain Philippe**, Le Thillot, France

[73] Assignee: **SEB**, Selongey, France

[**] Term: **14 Years**

[21] Appl. No.: **37,238**

[22] Filed: **Apr. 7, 1995**

[30] **Foreign Application Priority Data**

Oct. 13, 1994 [FR] France 94 5652

[52] **U.S. Cl.** **D7/354; D7/323**

[58] **Field of Search** **D7/323, 354, 358,**
D7/360; 219/429, 432, 438, 440; 99/331,
403, 410, 411, 413

[56] **References Cited**

U.S. PATENT DOCUMENTS

D. 313,530 1/1991 Leiros D7/354

D. 339,957 10/1993 Chang D7/354
D. 341,056 11/1993 Powell D7/354
D. 345,281 3/1994 Mauffrey D7/354

Primary Examiner—Alan P. Douglas
Assistant Examiner—Caron D. Veynar
Attorney, Agent, or Firm—Loeb and Loeb

[57] **CLAIM**

The ornamental design for an electric fryer, as shown.

DESCRIPTION

FIG. 1 is a front elevational view of an electric fryer showing my new design;
FIG. 2 is a rear elevational view thereof;
FIG. 3 is a right side elevational view thereof;
FIG. 4 is a left side elevational view thereof;
FIG. 5 is a top plan view thereof;
FIG. 6 is a bottom plan view thereof; and,
FIG. 7 is a perspective view thereof.

1 Claim, 4 Drawing Sheets

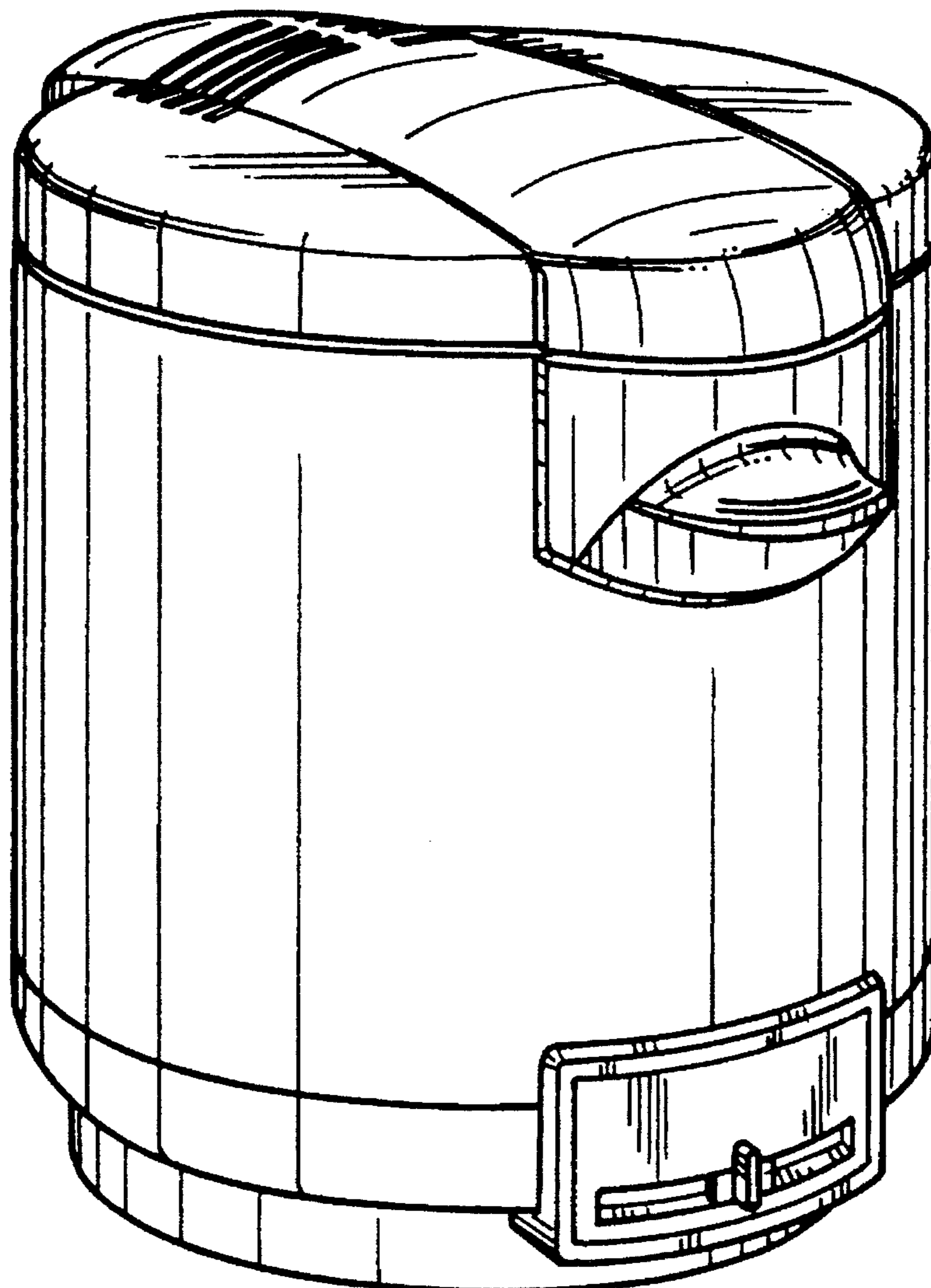


FIG. 1

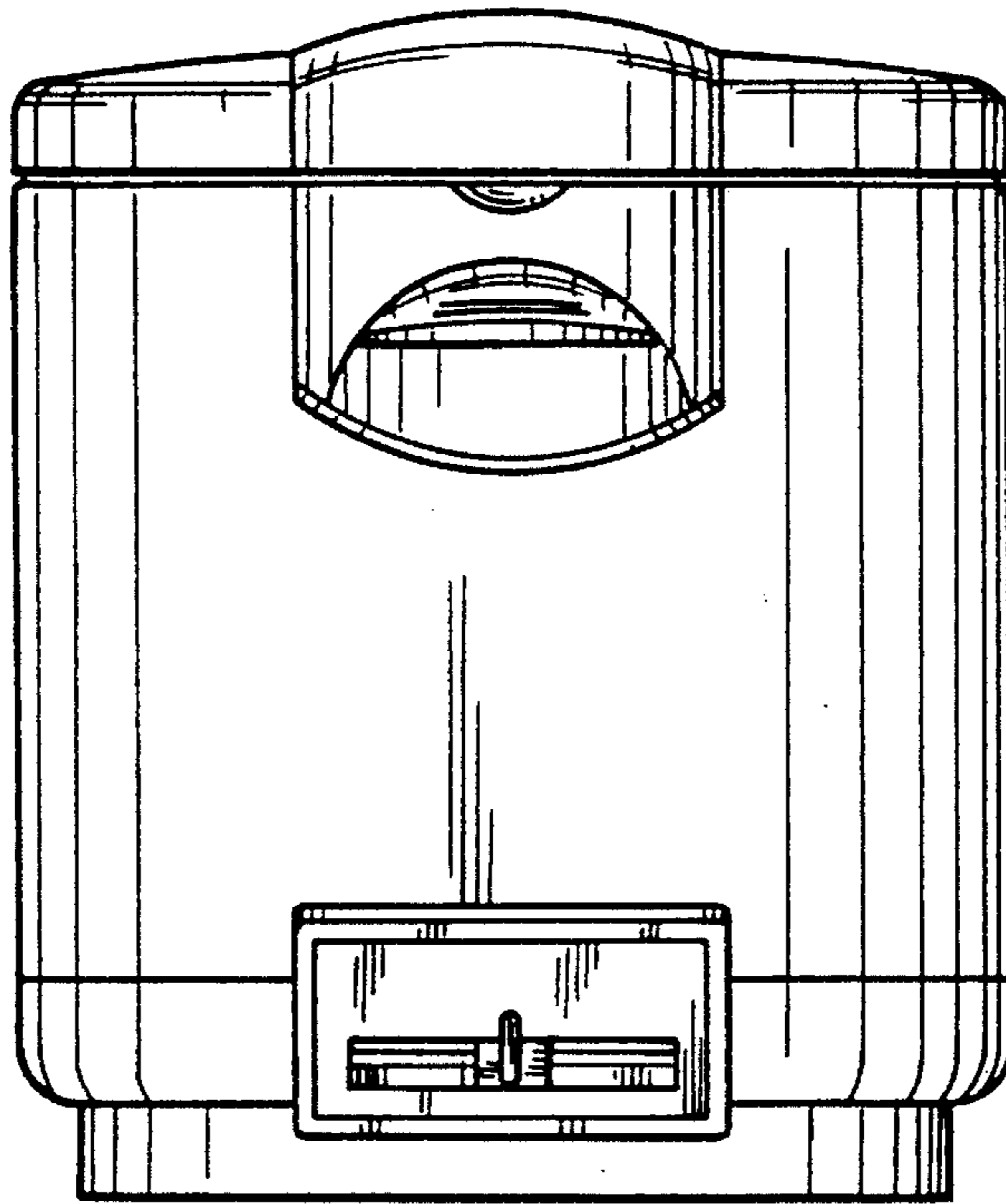


FIG. 2

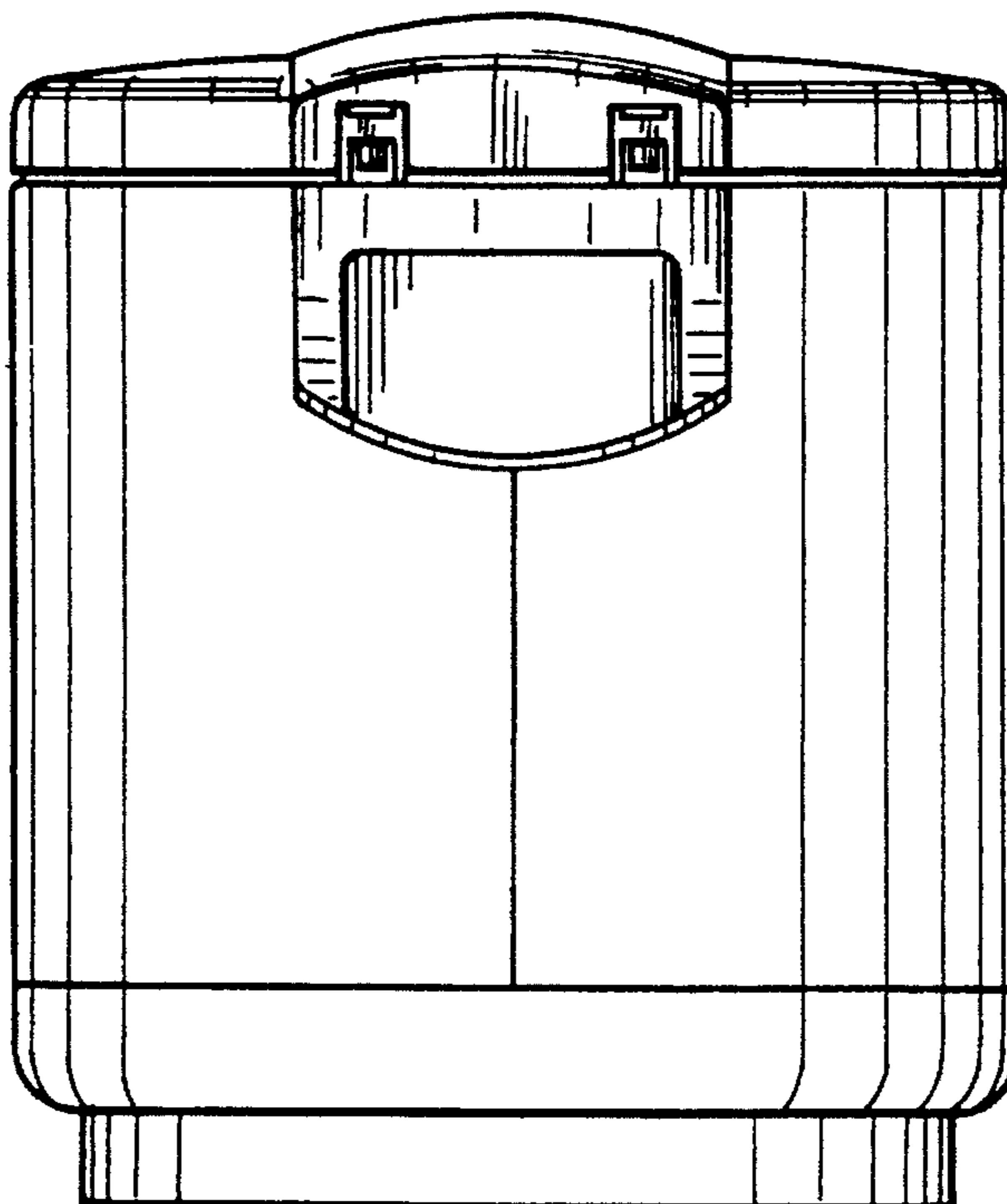


FIG. 3

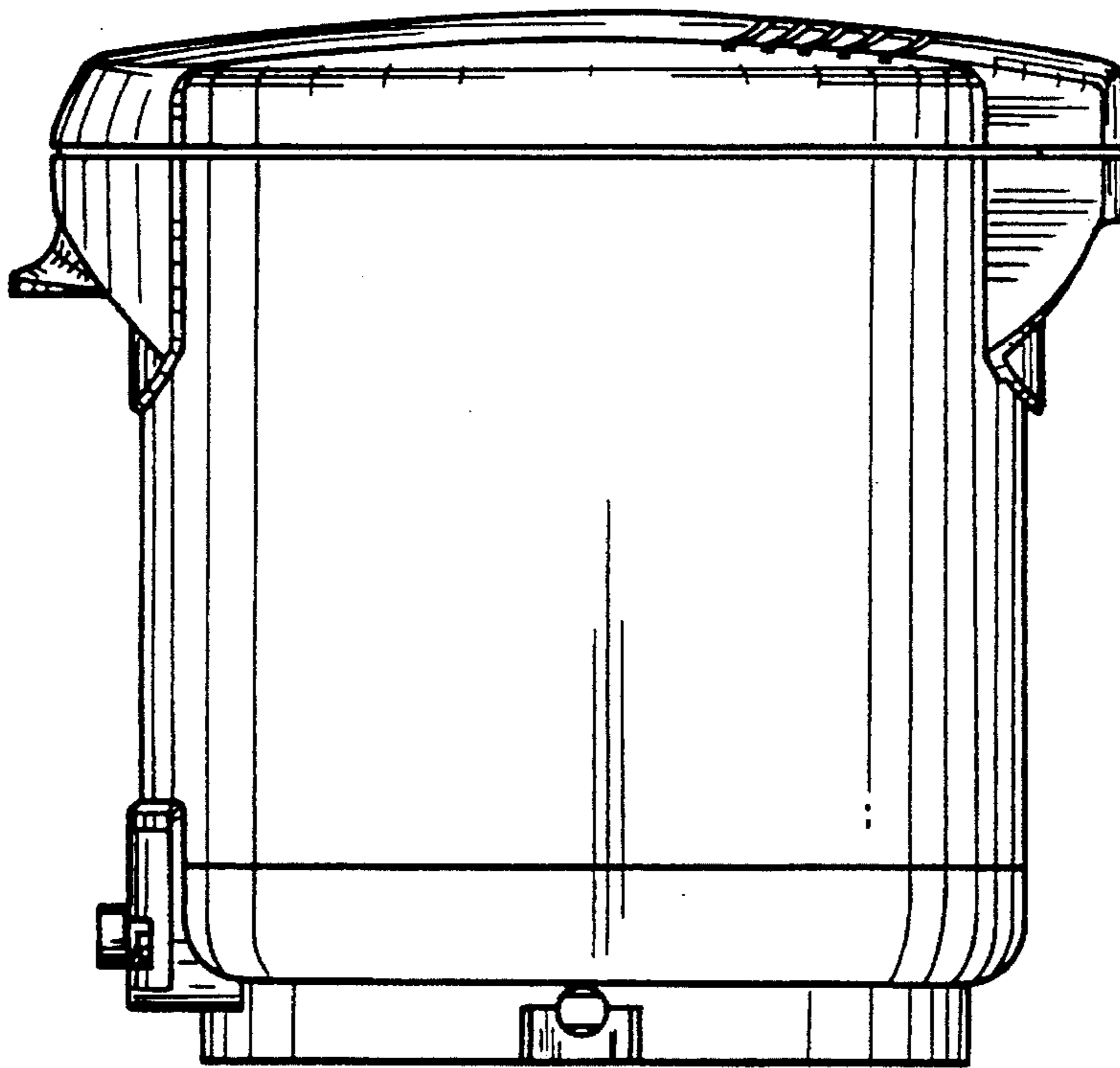


FIG. 4

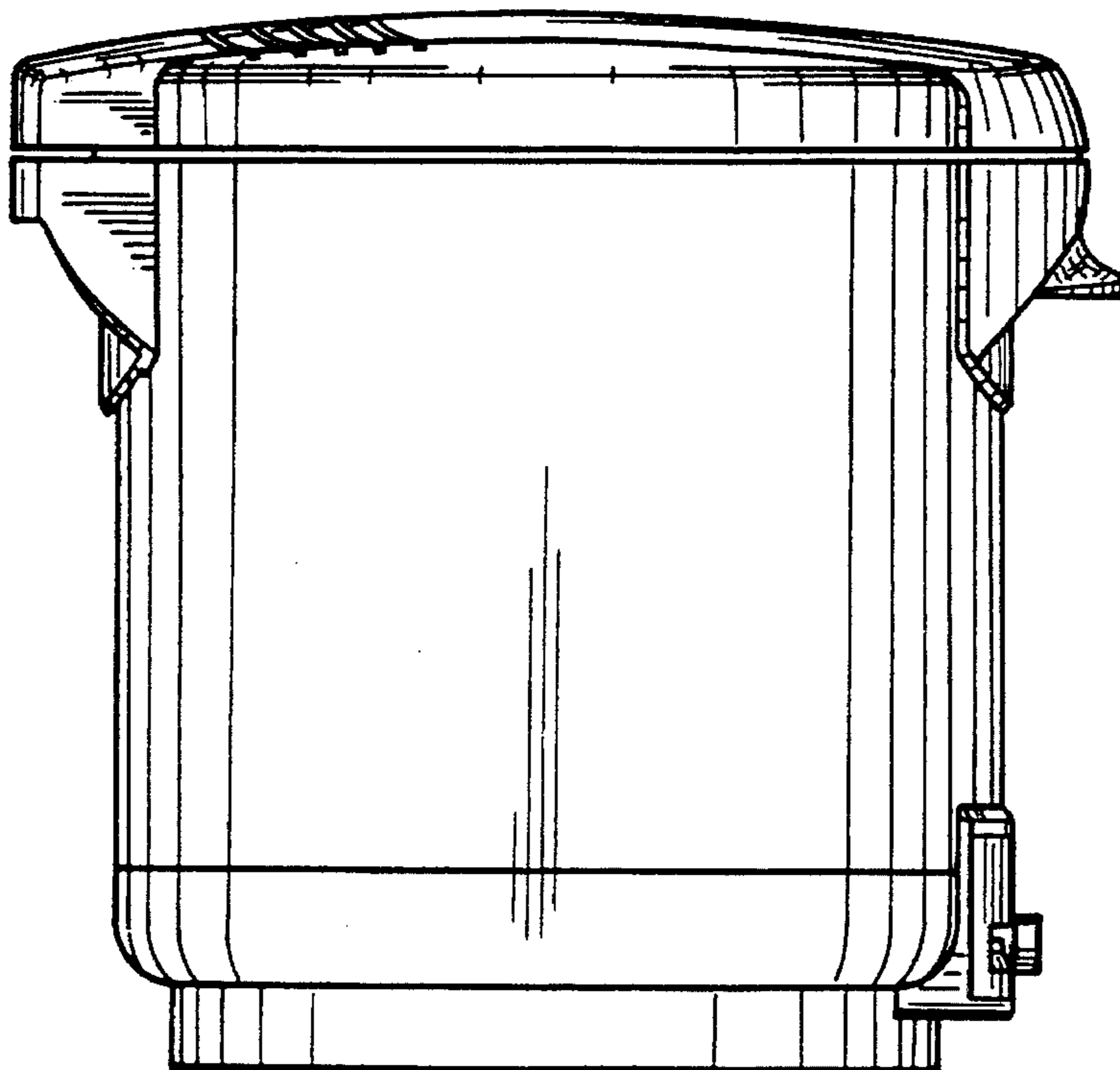


FIG. 5

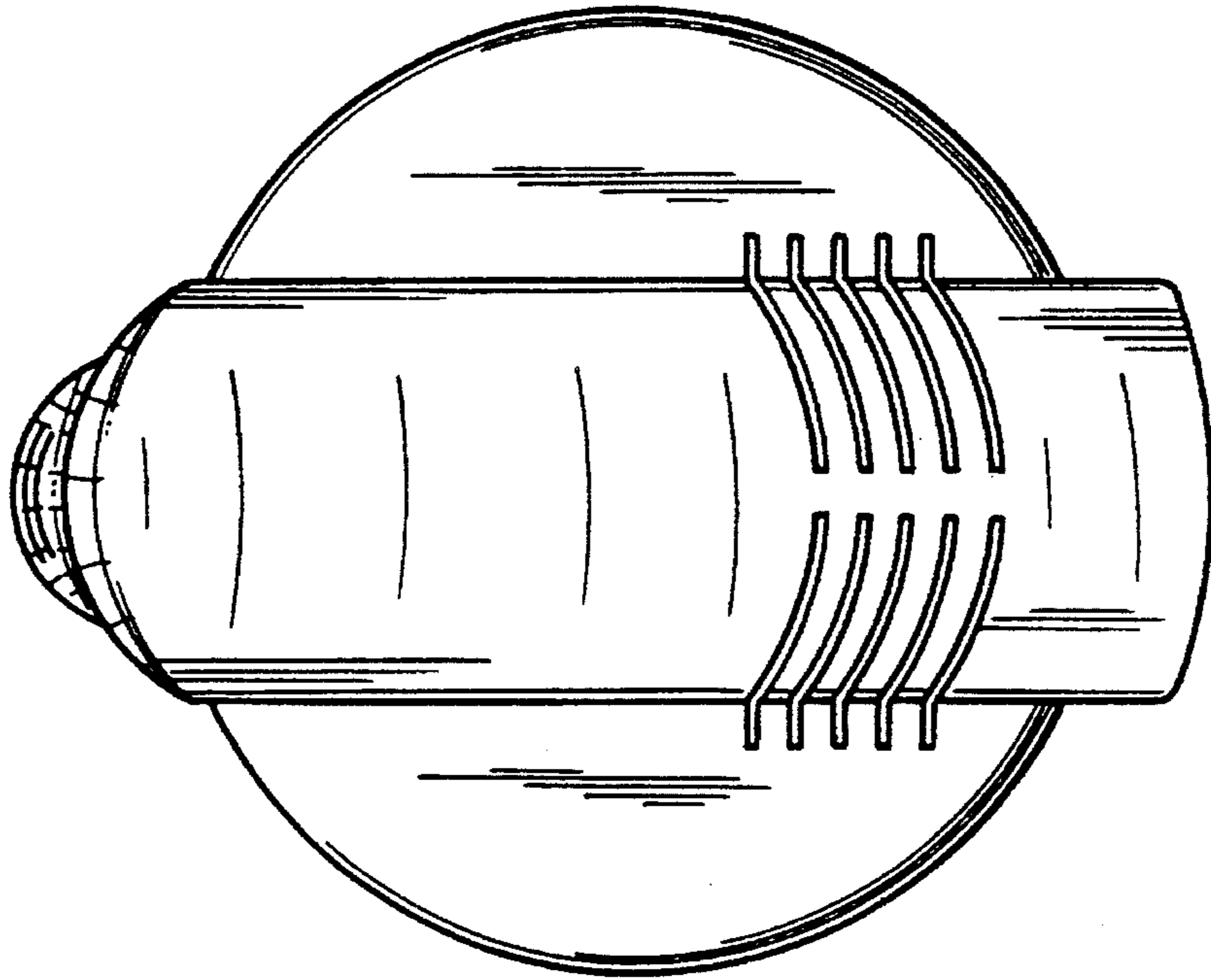


FIG. 6

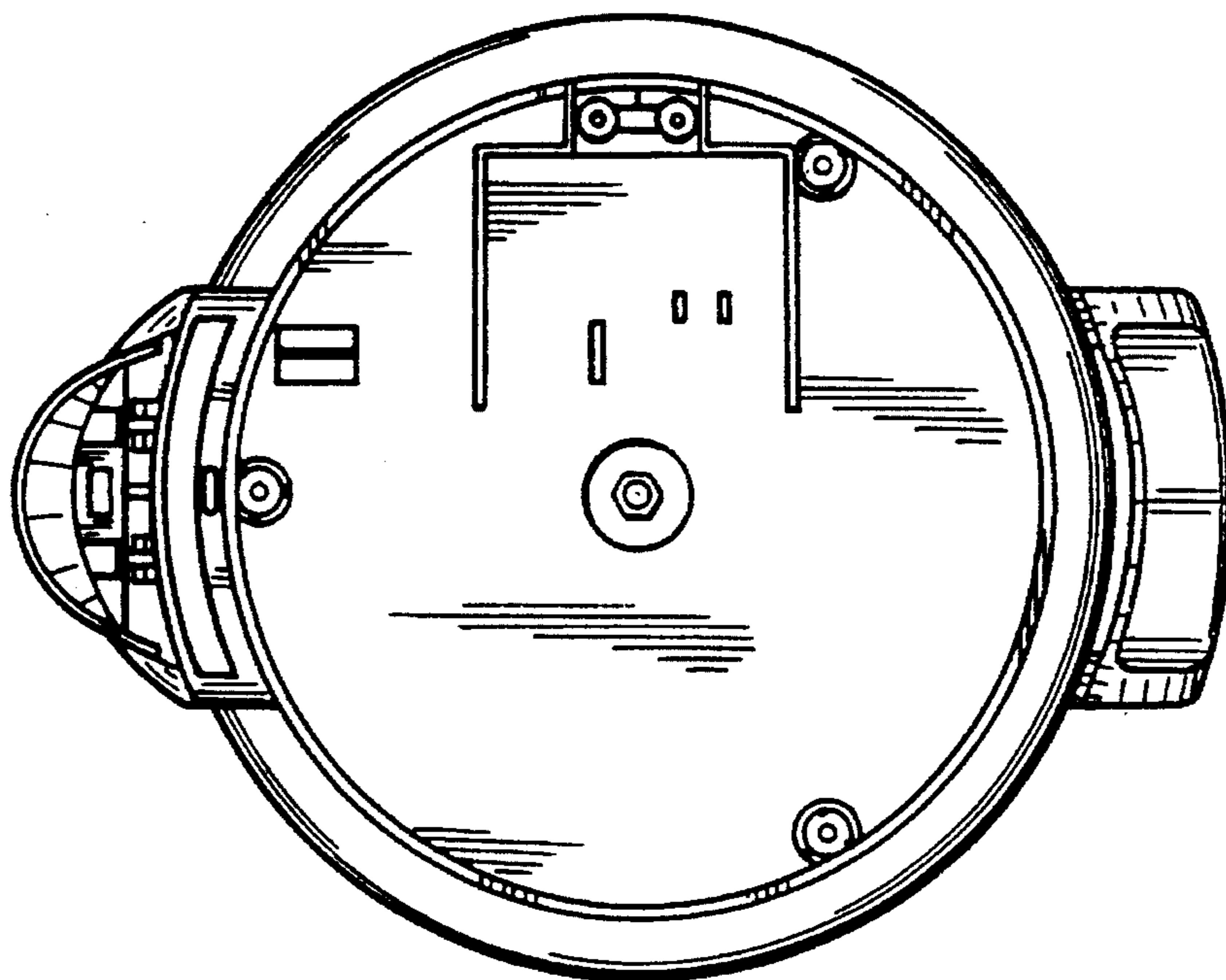


FIG. 7

