



US00D369503S

United States Patent [19]

[11] **Patent Number: Des. 369,503**

Meister et al.

[45] **Date of Patent: **May 7, 1996**

[54] **ROASTING OVEN**

[75] Inventors: **James L. Meister; Karl R. Henze,**
both of Rockford, Ill.

[73] Assignee: **The Broaster Company,** Beloit, Wis.

[**] Term: **14 Years**

[21] Appl. No.: **22,034**

[22] Filed: **Apr. 28, 1994**

[52] **U.S. Cl.** **D7/338**

[58] **Field of Search** D7/338, 347-350;
99/419, 421 R; 219/391; 126/19 R, 19 M,
21 A, 273 R, 275 R, 275 E, 273 A; 211/144

[56] **References Cited**

U.S. PATENT DOCUMENTS

D. 206,700	1/1967	Wilson	D7/338
D. 209,257	11/1967	Bressickello	D7/338
D. 216,926	3/1970	Schindler	D7/338
D. 238,471	1/1976	Roderick	D6/172
D. 238,897	2/1976	Wilson	D7/338
D. 239,685	4/1976	Peterson	D7/338
D. 245,958	10/1977	Roderick	D7/338
D. 292,863	11/1987	Johansson	D7/338

D. 349,419	8/1994	Koopman	D7/338
2,945,598	10/1958	Rallis	211/144
4,590,848	5/1986	Willingham	99/339
4,781,109	11/1988	Wiebe, Jr. et al.	99/419
5,044,262	9/1991	Burkett et al.	99/327

OTHER PUBLICATIONS

The Broaster Company, "Vertical Rotisserie Operation and Parts Manual" brochure, Published May 1993.

Primary Examiner—Ruth McInroy

Attorney, Agent, or Firm—McDermott, Will & Emery

[57] **CLAIM**

The ornamental design for a roasting oven, as shown.

DESCRIPTION

FIG. 1 is a perspective view of a roasting oven showing our new design;

FIG. 2 is a left side elevational view thereof;

FIG. 3 is a back elevational view thereof;

FIG. 4 is a right side elevational view thereof;

FIG. 5 is a front elevational view thereof;

FIG. 6 is a top plan view thereof; and,

FIG. 7 is a bottom plan view thereof.

1 Claim, 2 Drawing Sheets

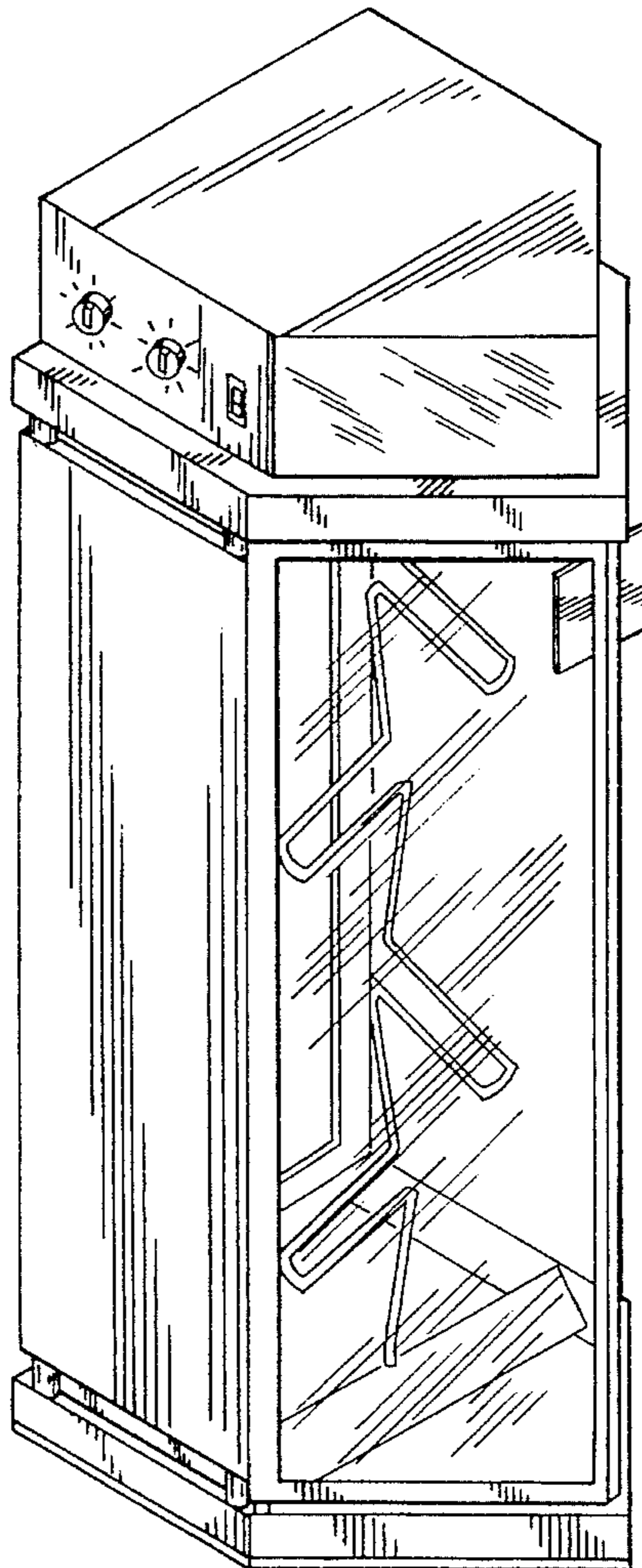


FIG. 3

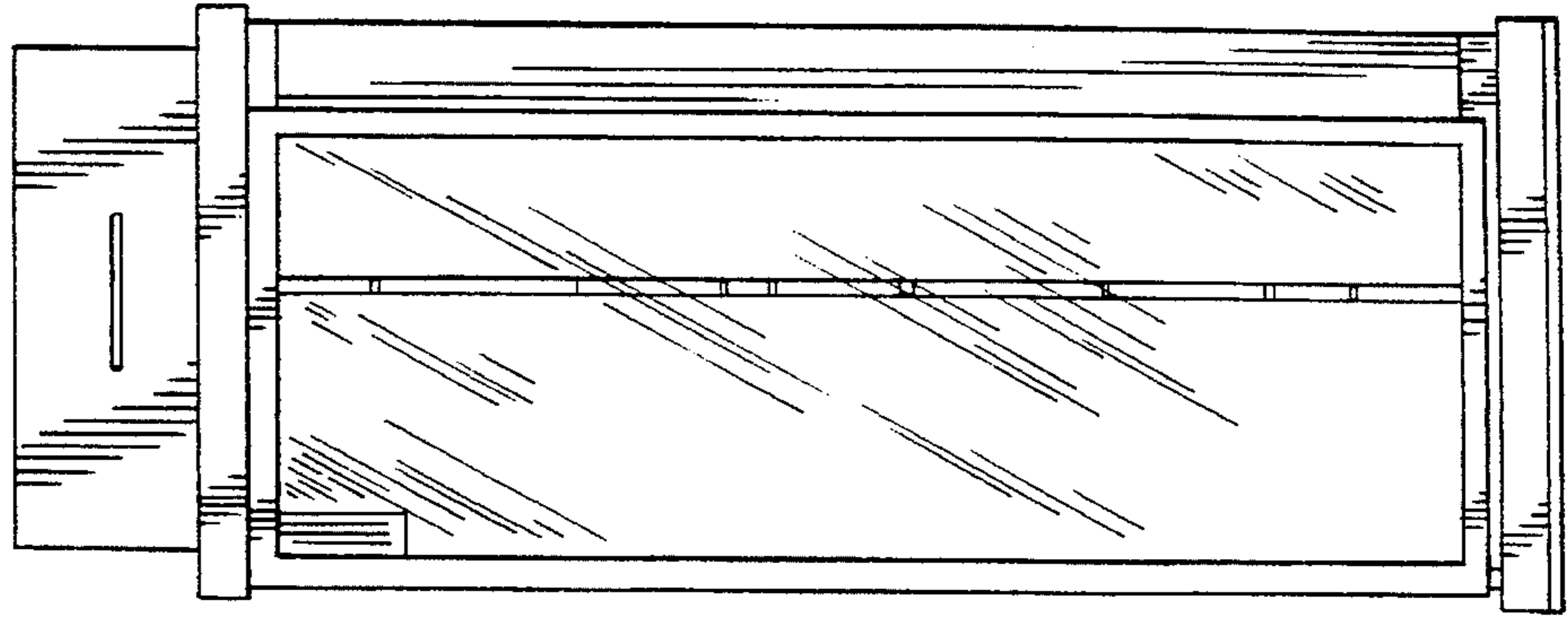


FIG. 2

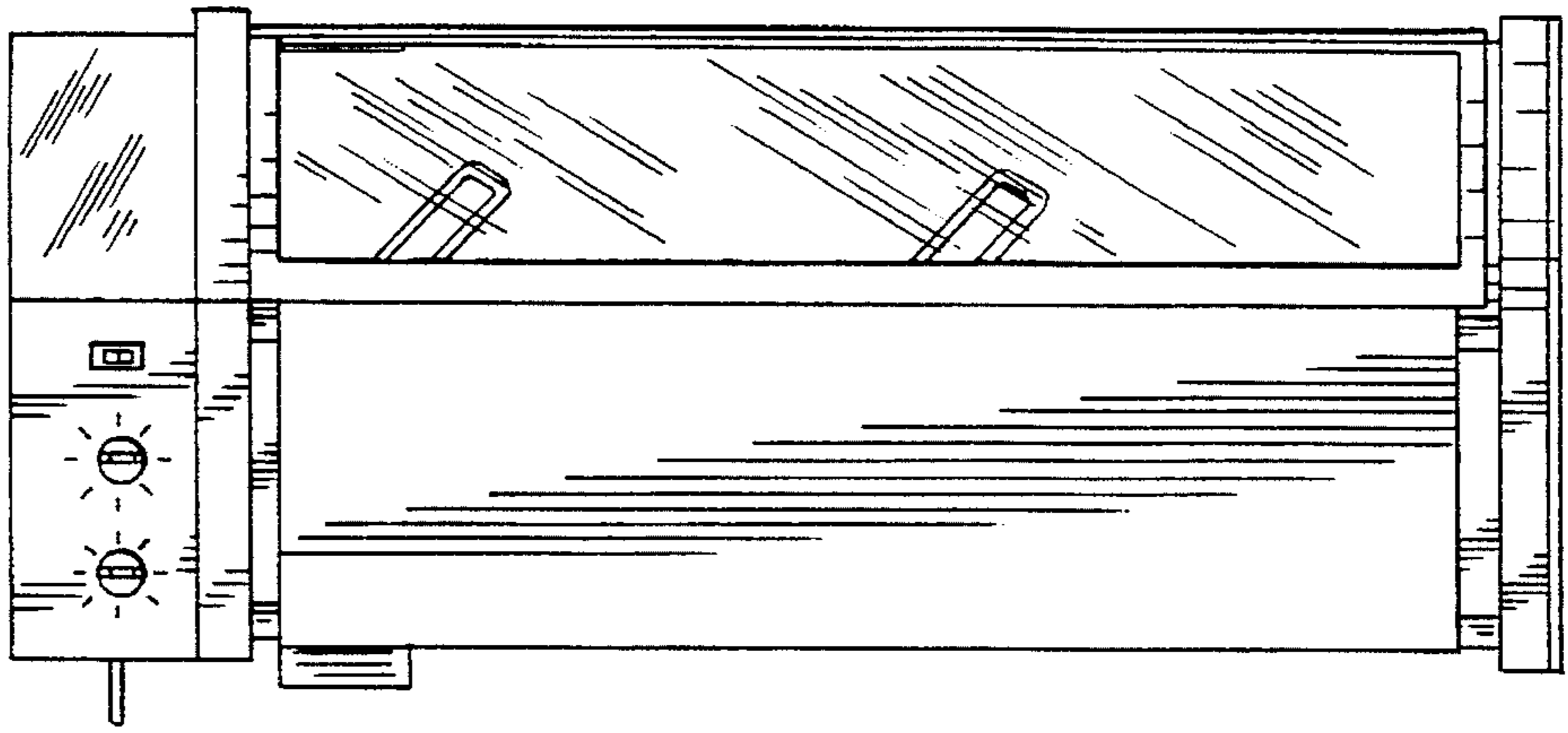


FIG. 1

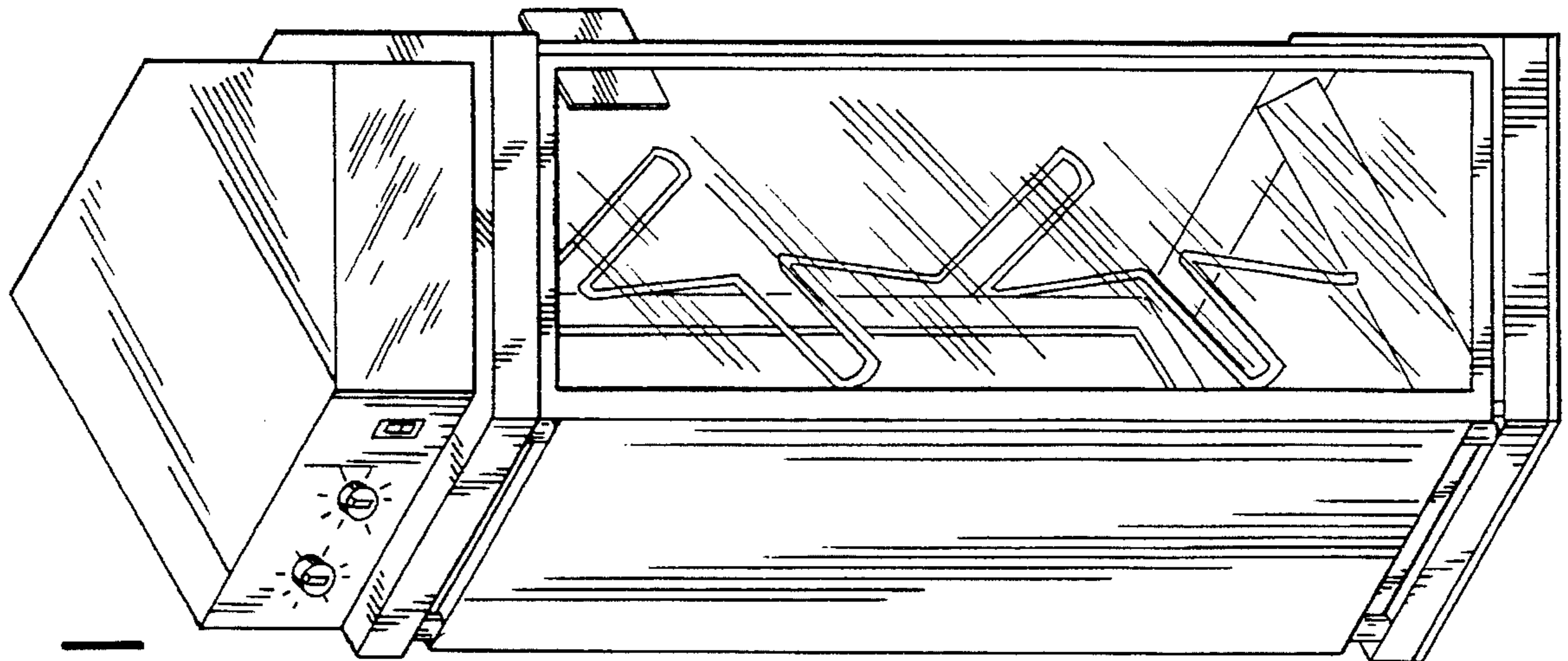


FIG. 4

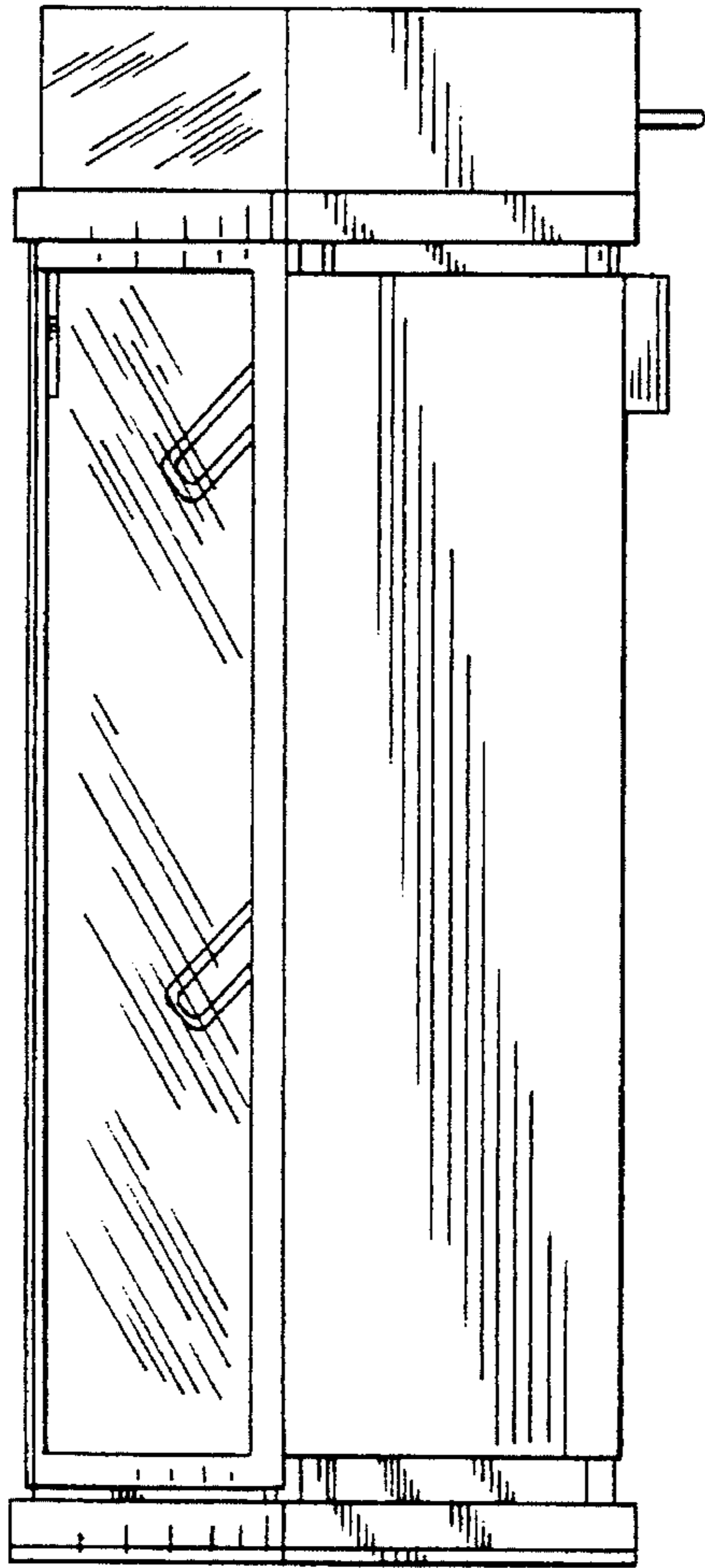


FIG. 5

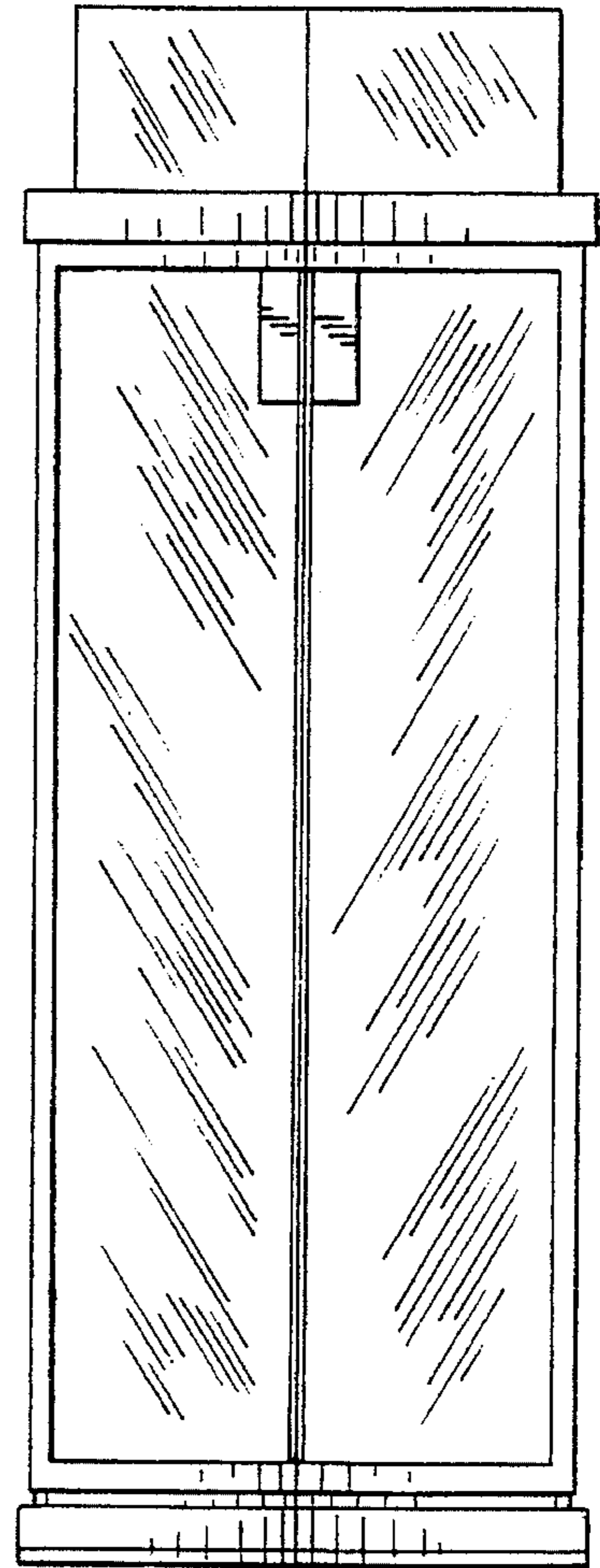


FIG. 6

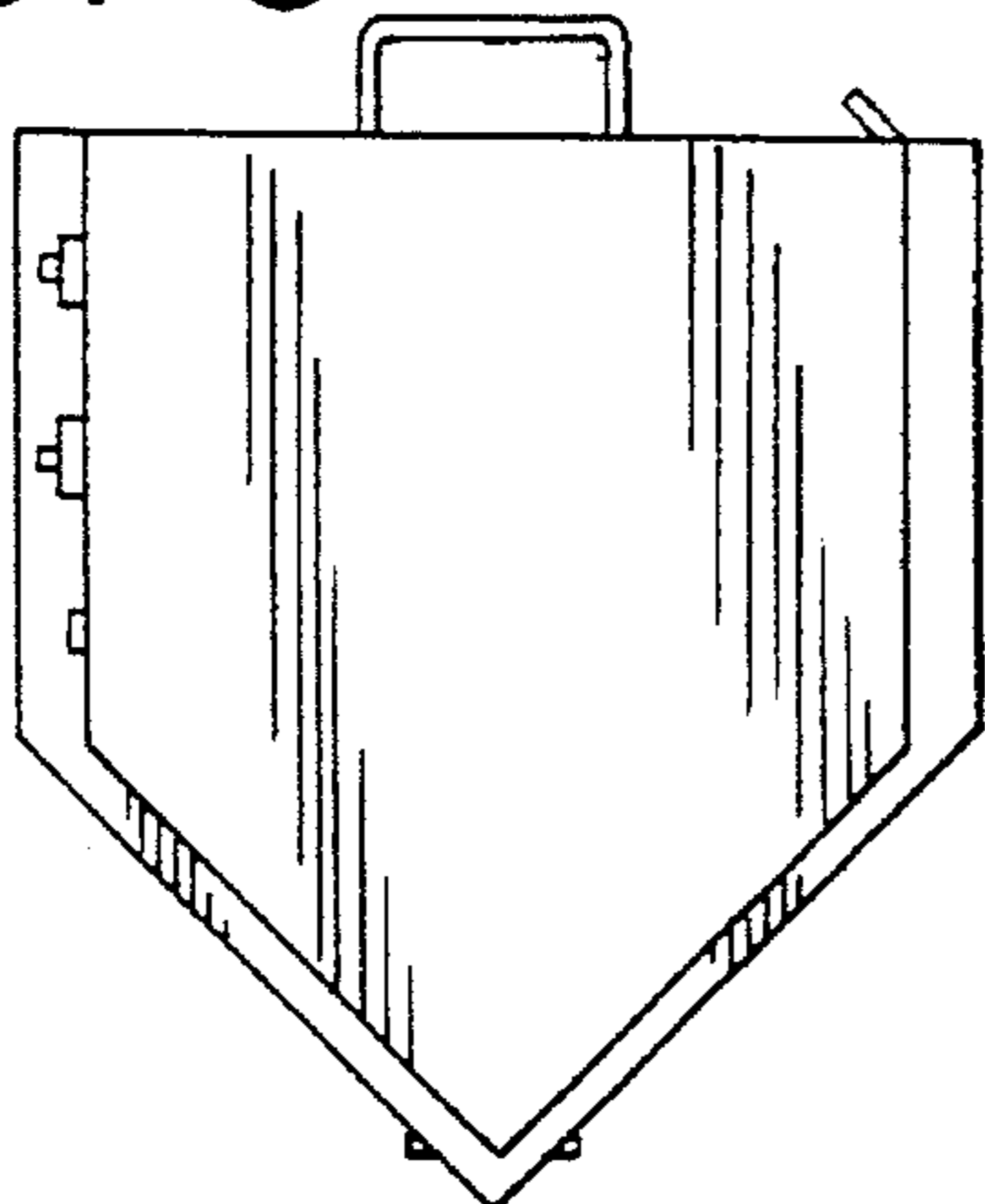


FIG. 7

