



US00D369500S

United States Patent [19]
Hansen, II

[11] **Patent Number: Des. 369,500**
[45] **Date of Patent: **May 7, 1996**

[54] **TOILET PAPER DISPENSER**

551,040 12/1895 Morgan D6/523

[75] Inventor: **Erling W. Hansen, II**, P.O. Box 5902,
Tucson, Ariz. 85703

Primary Examiner—Kay H. Chin
Attorney, Agent, or Firm—Benman Collins & Sawyer

[73] Assignee: **Erling W. Hansen, II**, Tucson, Ariz.

[57] **CLAIM**

[**] Term: **14 Years**

The ornamental design for a toilet paper dispenser, as shown and described.

[21] Appl. No.: **29,779**

DESCRIPTION

[22] Filed: **Oct. 17, 1994**

[52] U.S. Cl. **D6/523**

[58] Field of Search D6/523, 518, 519,
D6/522; 242/564, 599, 599.4

FIG. 1 is a perspective view of a toilet paper dispenser showing my new design;

FIG. 2 is a top plan view thereof;

FIG. 3 is a left side elevational view thereof;

FIG. 4 is a right side elevational view thereof;

FIG. 5 is a rear elevational view thereof;

FIG. 6 is a front elevational view thereof; and,

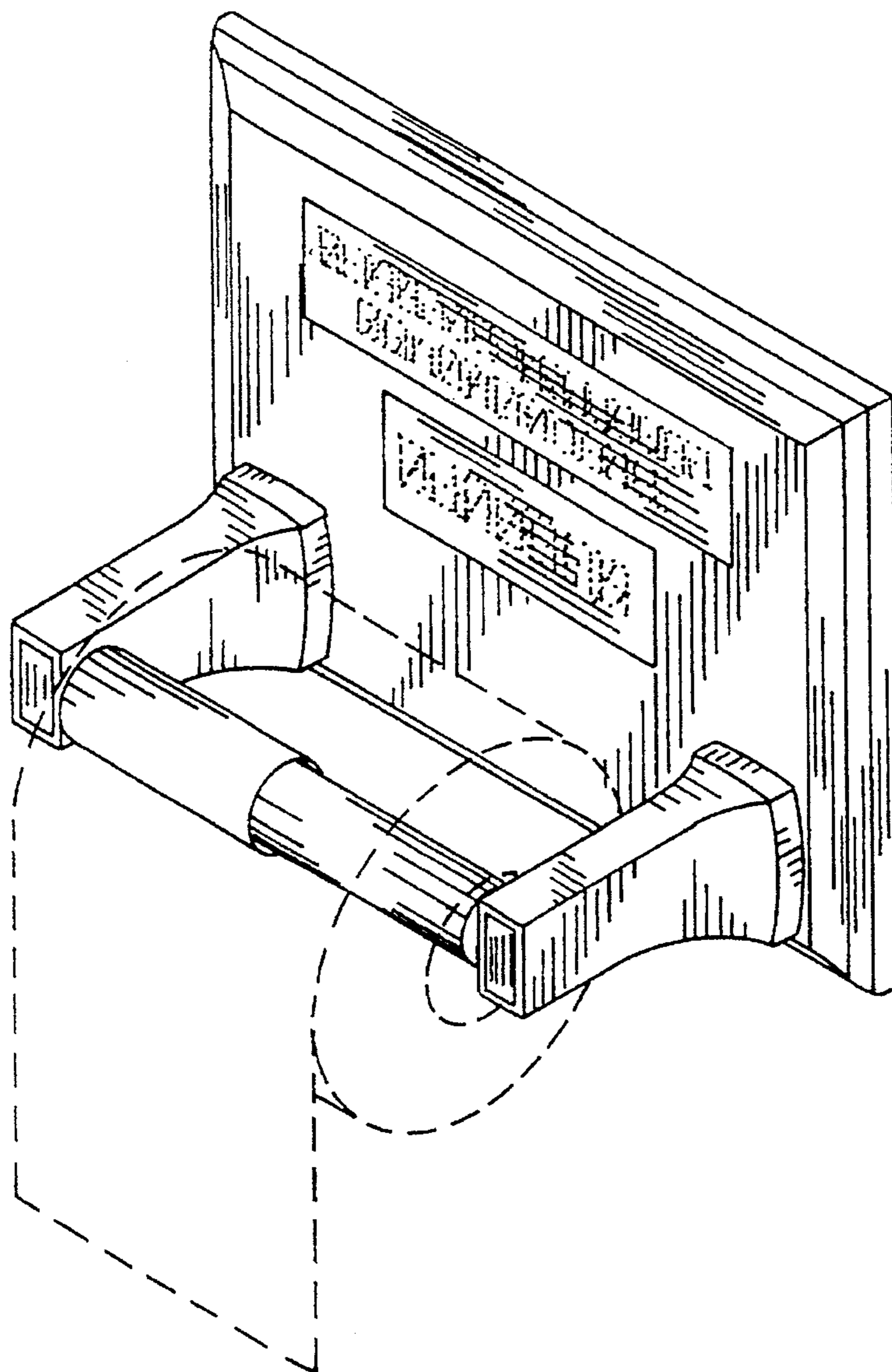
FIG. 7 is a bottom plan view thereof.

[56] **References Cited**

U.S. PATENT DOCUMENTS

D. 283,188	4/1986	Pool	D6/523
D. 291,753	9/1987	Pool	D6/522
D. 307,844	5/1990	Romeka	D6/523

1 Claim, 3 Drawing Sheets



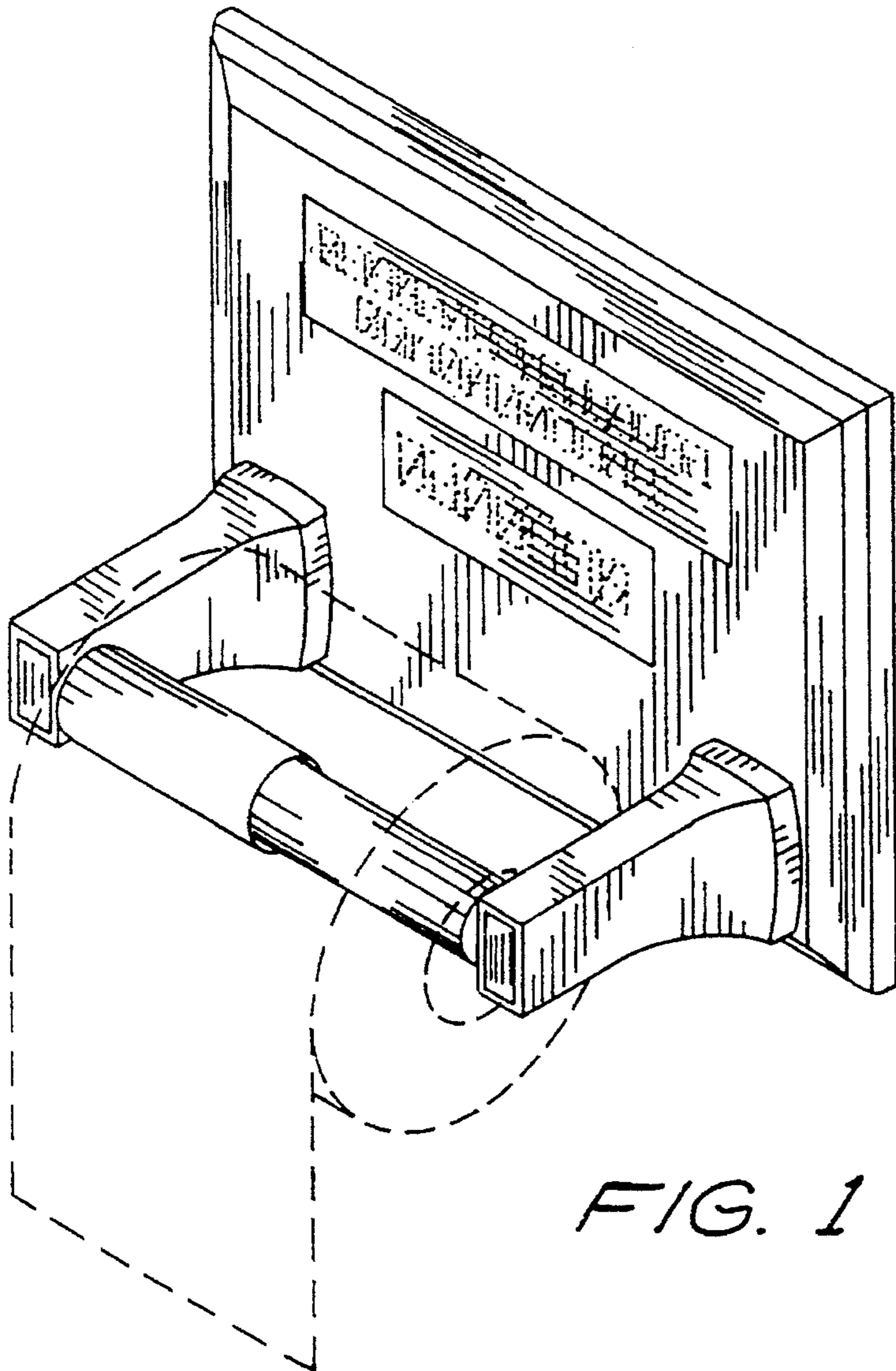


FIG. 1

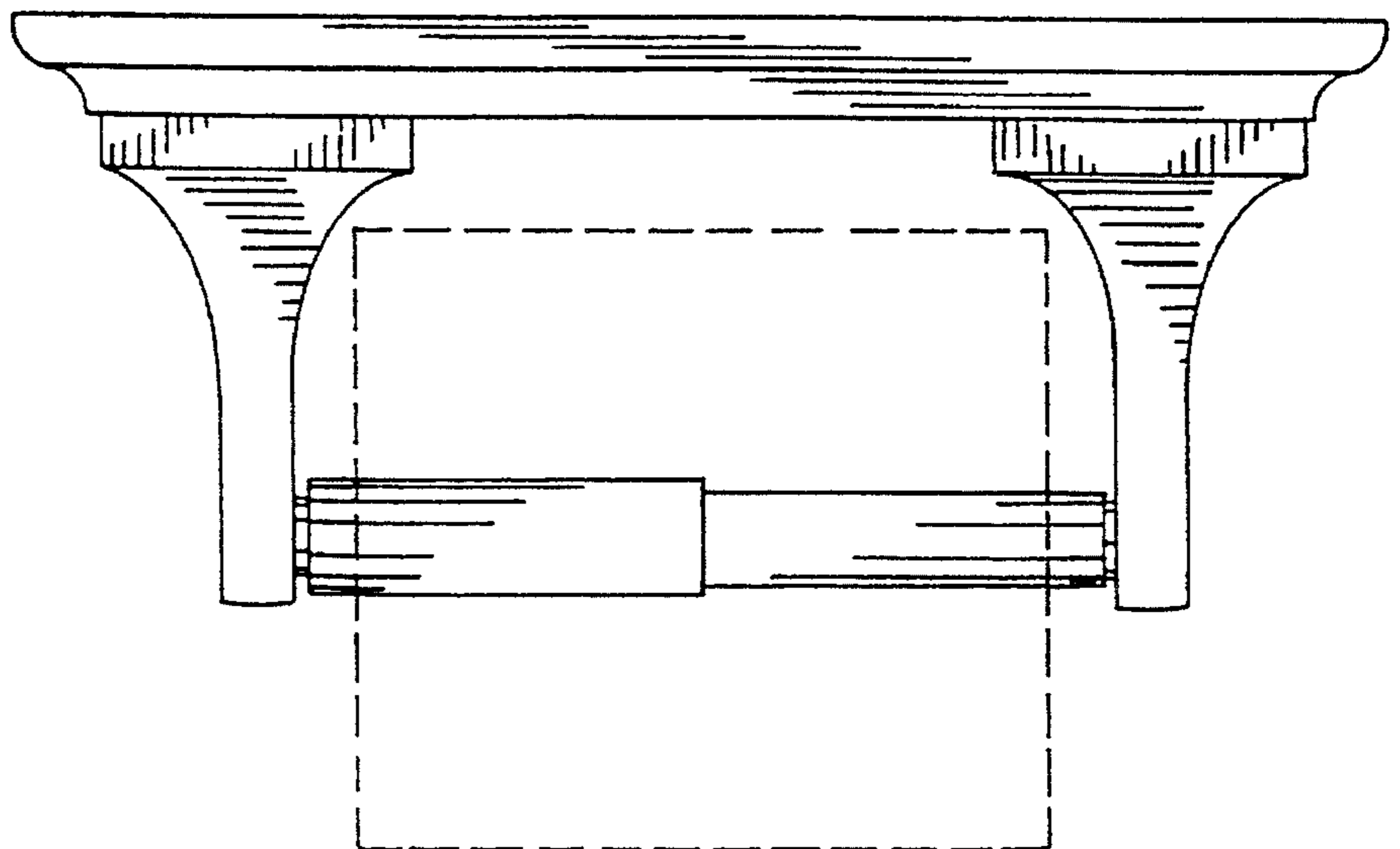


FIG. 2

FIG. 3

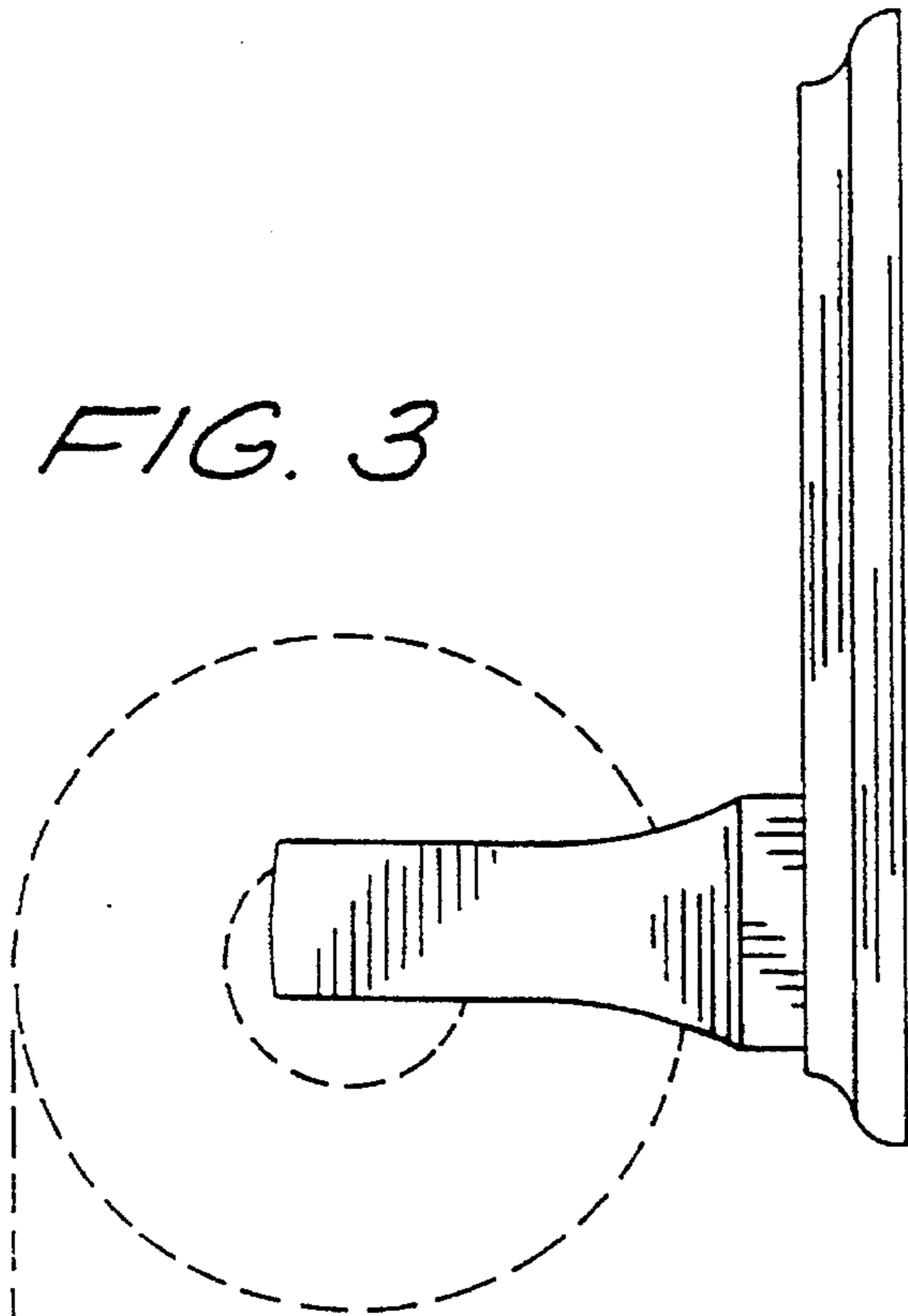


FIG. 4

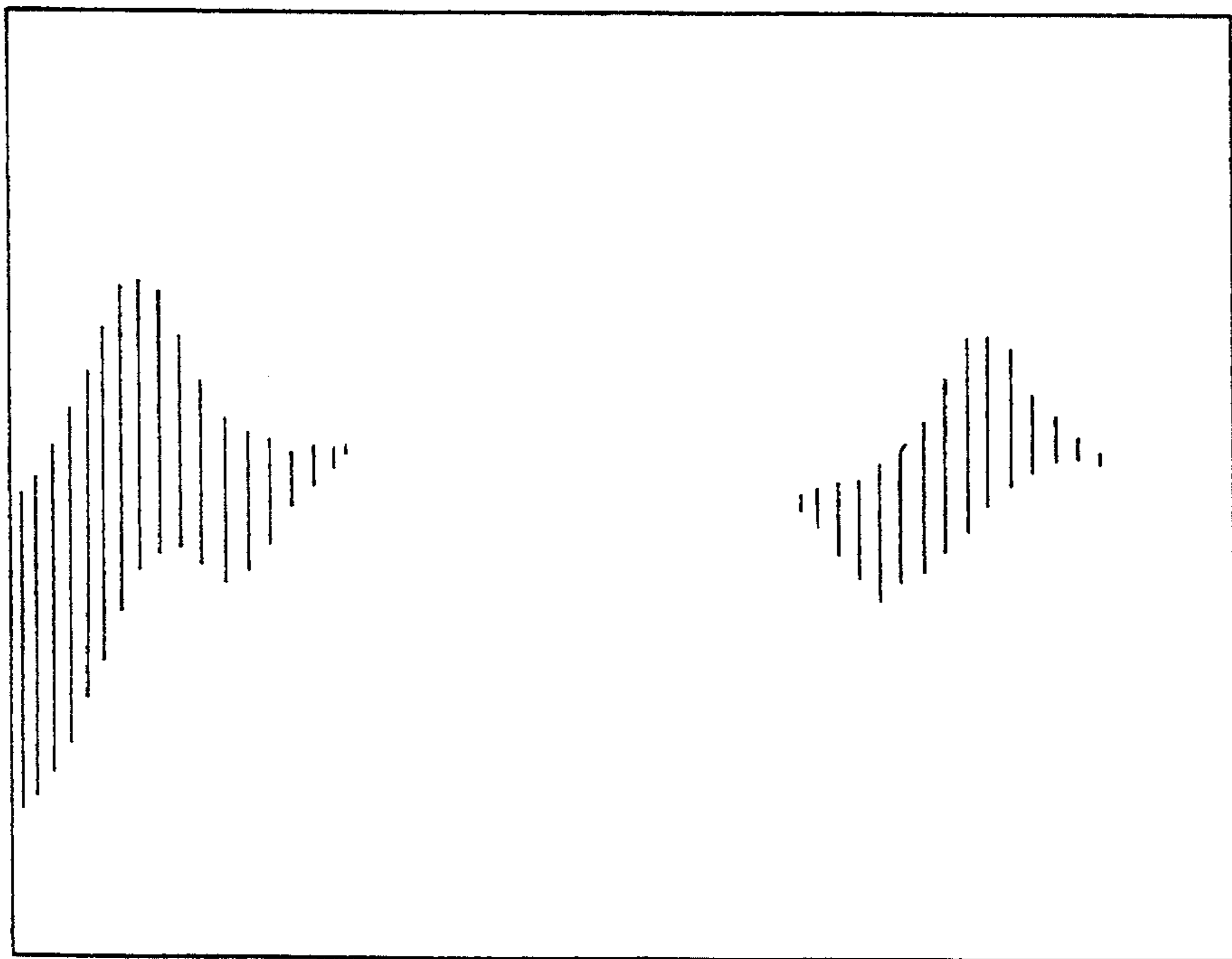
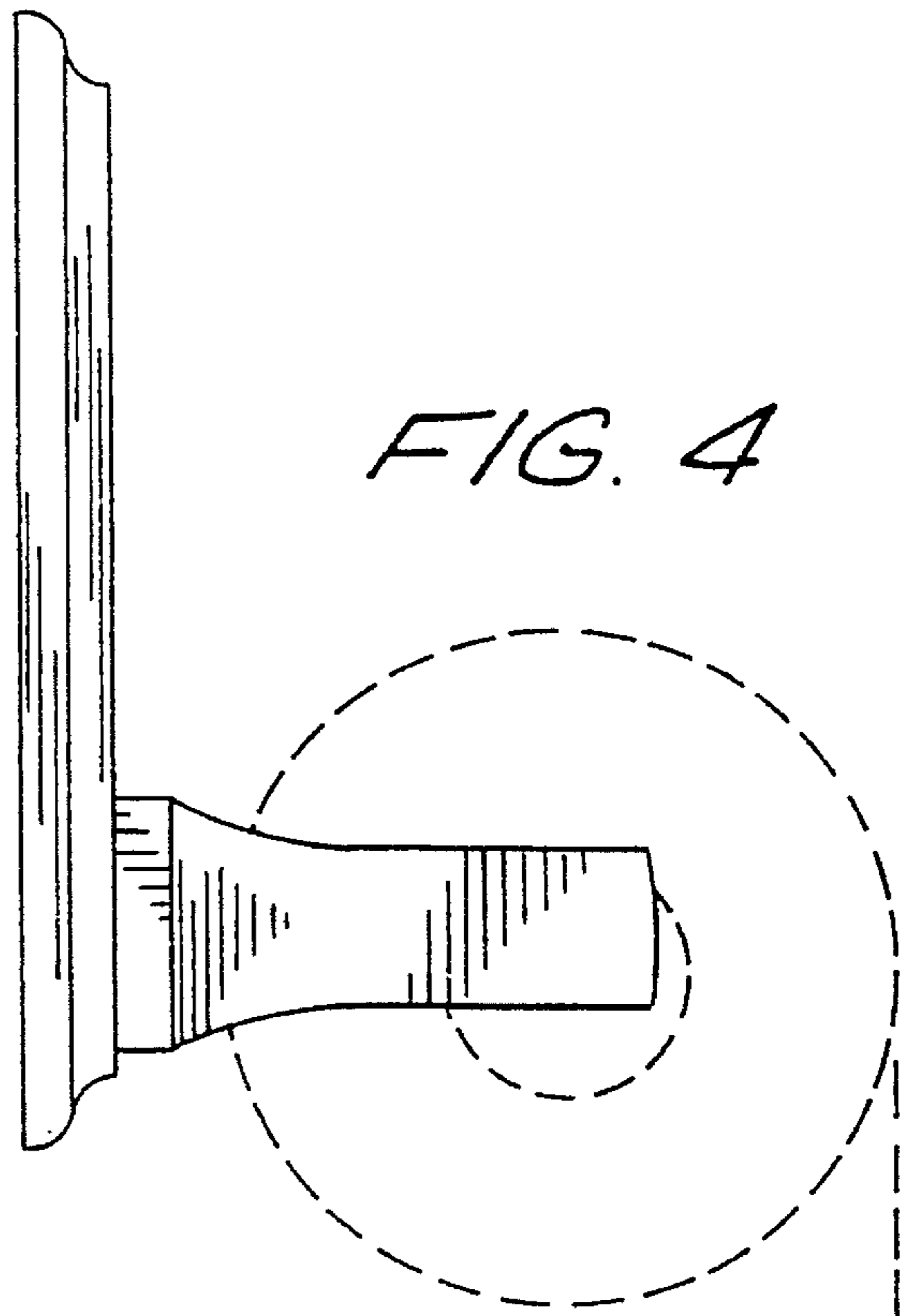


FIG. 5



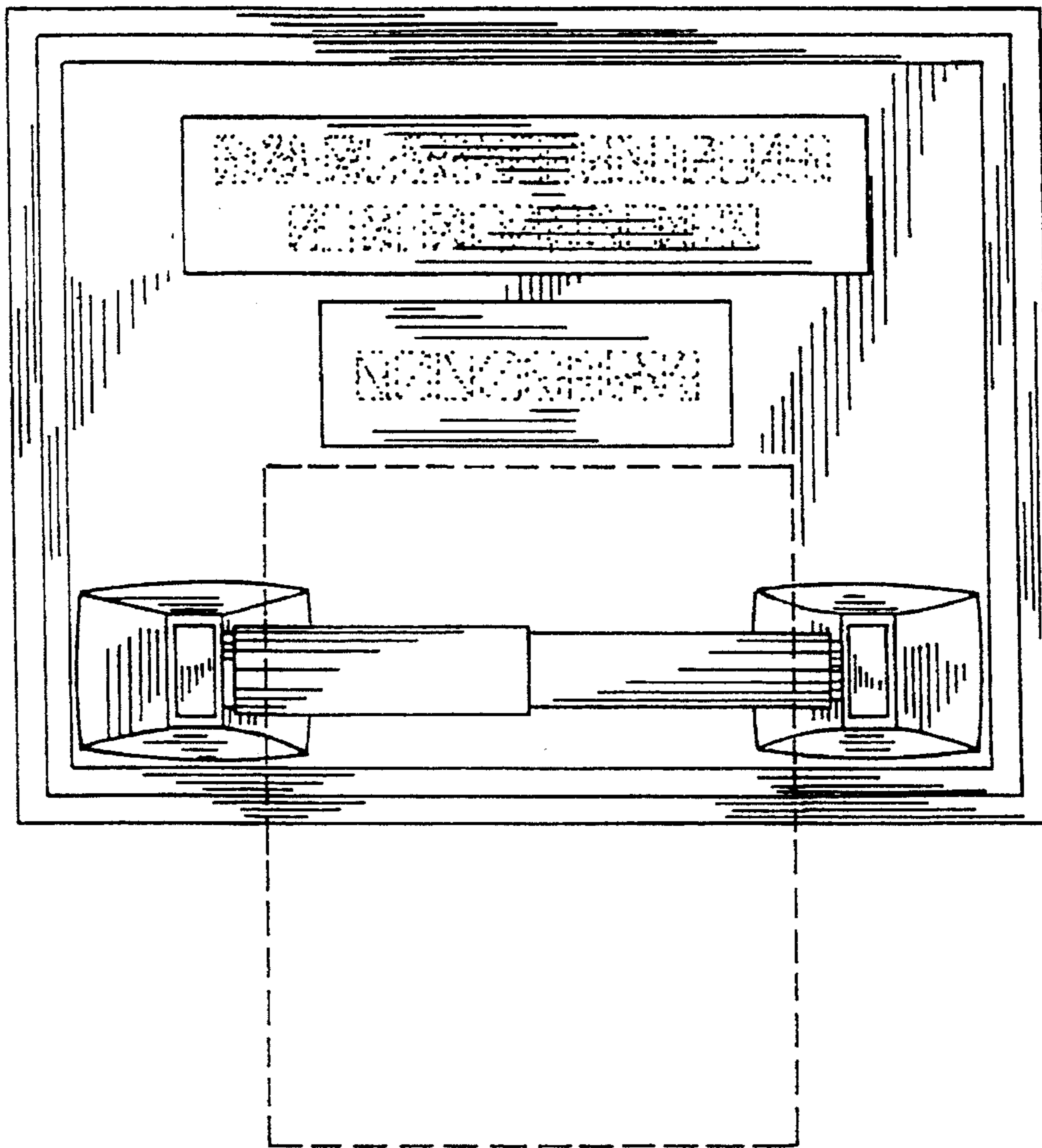


FIG. 6

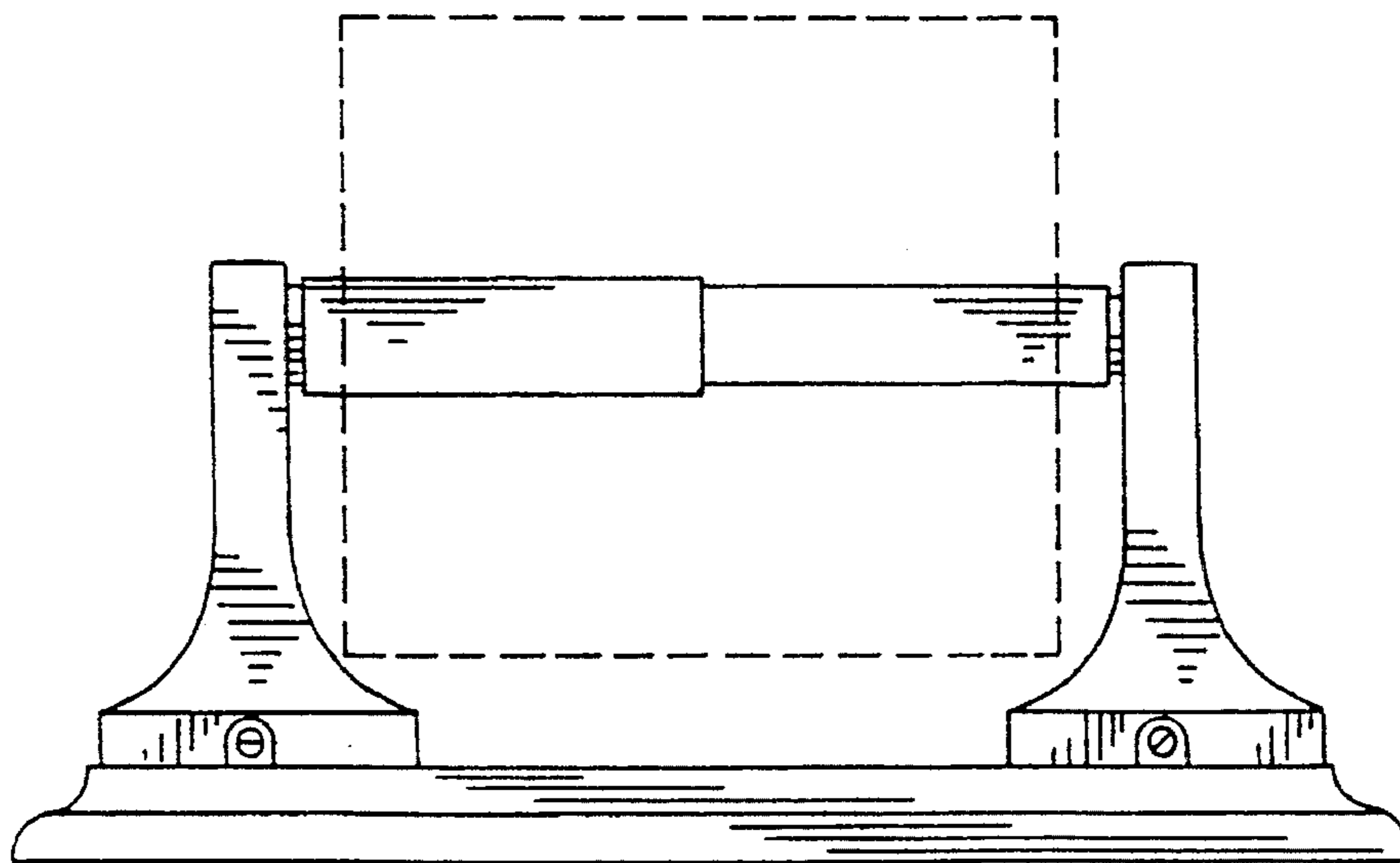


FIG. 7