



US00D369499S

**United States Patent** [19]

[11] **Patent Number: Des. 369,499**

**Scott et al.**

[45] **Date of Patent: \*\*May 7, 1996**

[54] **COMBINED HIGH DENSITY  
POLYETHYLENE BOTTLE AND CAP**

OTHER PUBLICATIONS

[75] Inventors: **Paul G. Scott**, Greensboro, N.C.;  
**Thomas C. Starner**, Nazareth, Pa.;  
**Zach Hatcher**, Dublin, Ohio

Liquor Store Magazine, Apr. 1975, p. 157, item W1975LS Sangria bottle.

*Primary Examiner*—Lucy Lieberman  
*Attorney, Agent, or Firm*—Mary E. Picken

[73] Assignee: **Ashland Inc.**, Rusell, Ky.

[57] **CLAIM**

[\*\*] Term: **14 Years**

The ornamental design for combined high density polyethylene bottle and cap, as shown and described.

[21] Appl. No.: **41,840**

**DESCRIPTION**

[22] Filed: **Jun. 28, 1995**

[52] U.S. Cl. .... **D9/520; D9/536**

[58] **Field of Search** ..... D9/520, 531, 536;  
215/375, 382, 398, 400

FIG. 1 is a front elevation of a combined high density polyethylene bottle and cap showing our new design, the rear elevation is a mirror image thereto;

FIG. 2 is a right side elevation of FIG. 1, the left side elevation is the same in appearance except that it lacks the handle;

FIG. 3 is a top plan view;

FIG. 4 is a bottom plan view;

FIG. 5 is a side view of the combined high density polyethylene bottle and cap in FIG. 1 rotated 45°;

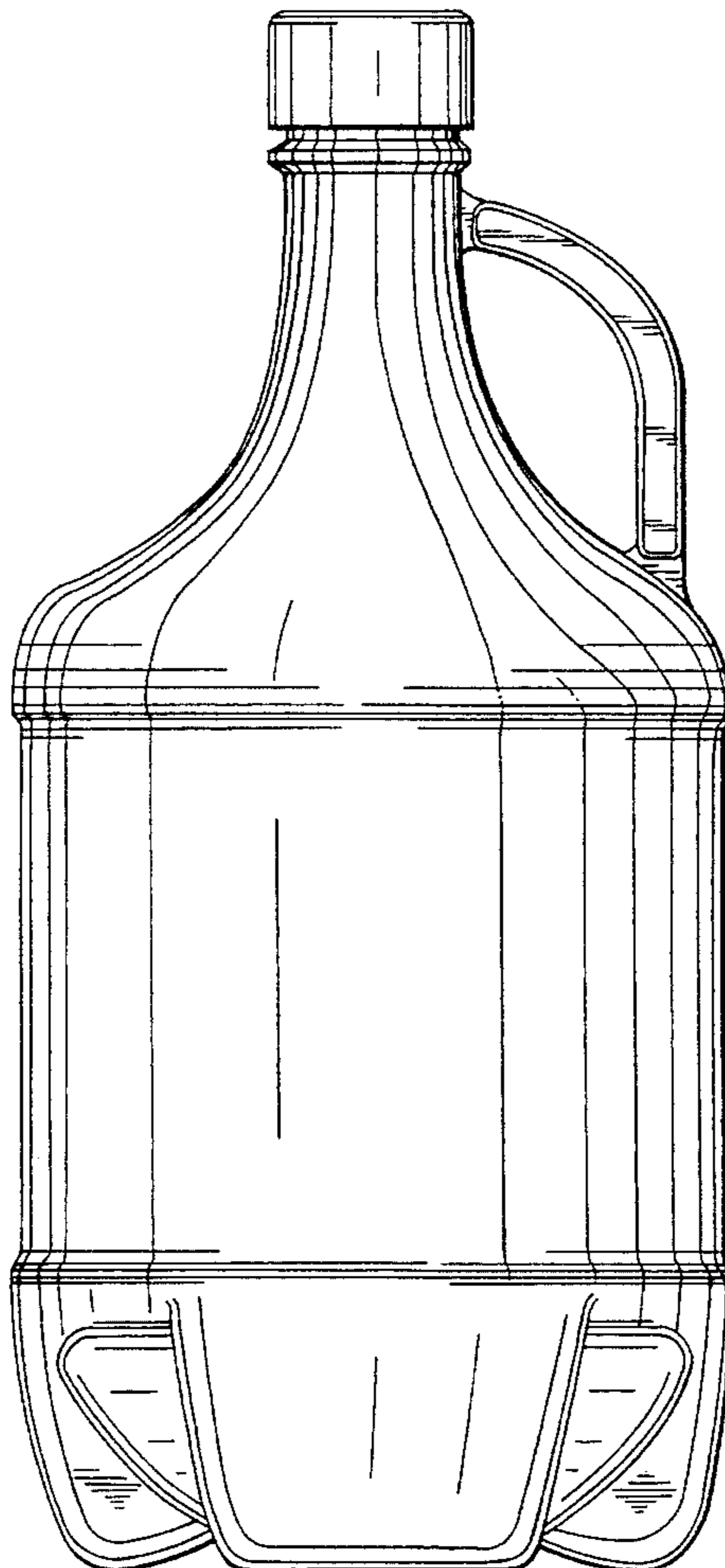
FIG. 6 is an enlarged fragmentary view of the handle portion.

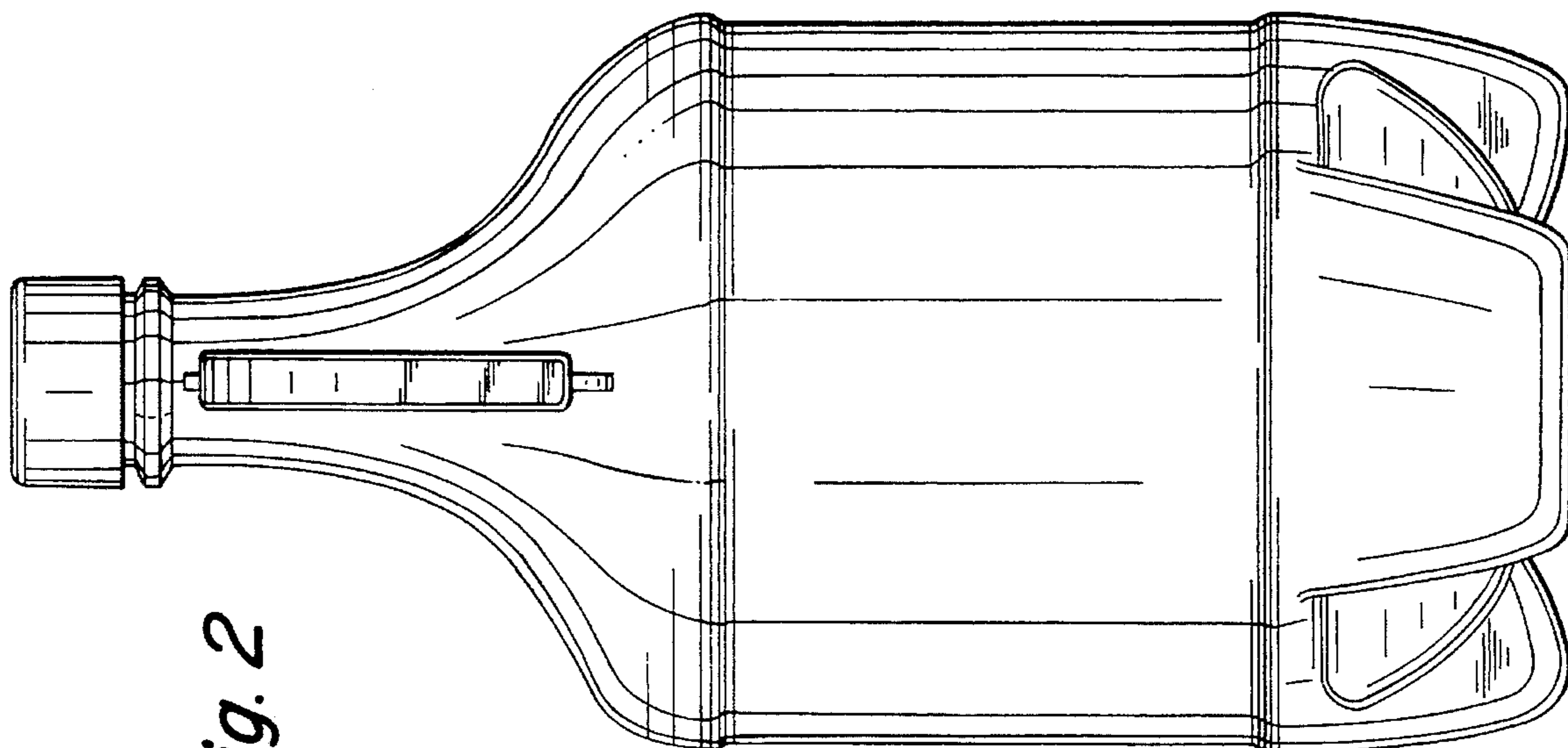
[56] **References Cited**

**U.S. PATENT DOCUMENTS**

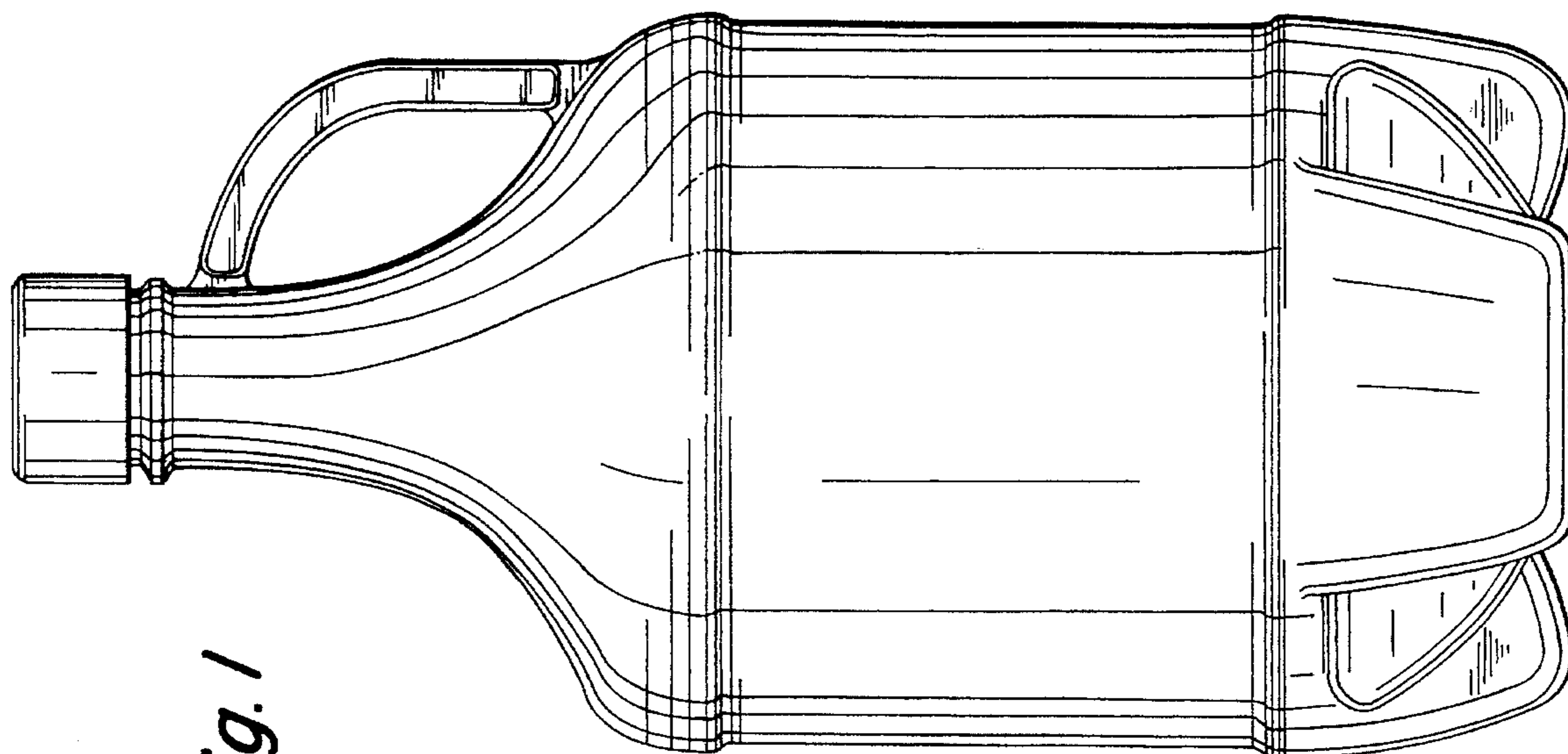
D. 194,068	11/1962	Pettingill	.....	D9/536
D. 214,551	7/1969	Plummer	.....	D9/536
D. 215,411	9/1969	Anderson	.....	D9/536
D. 231,727	6/1974	Morgan	.....	D9/531
D. 327,845	7/1992	Behm et al.	.....	D9/520 X
3,251,514	5/1966	Speicher	.....	215/398 X
5,133,468	7/1992	Brunson et al.	.....	215/375
5,427,258	6/1995	Krishnakumar et al.	.....	215/400

**1 Claim, 3 Drawing Sheets**



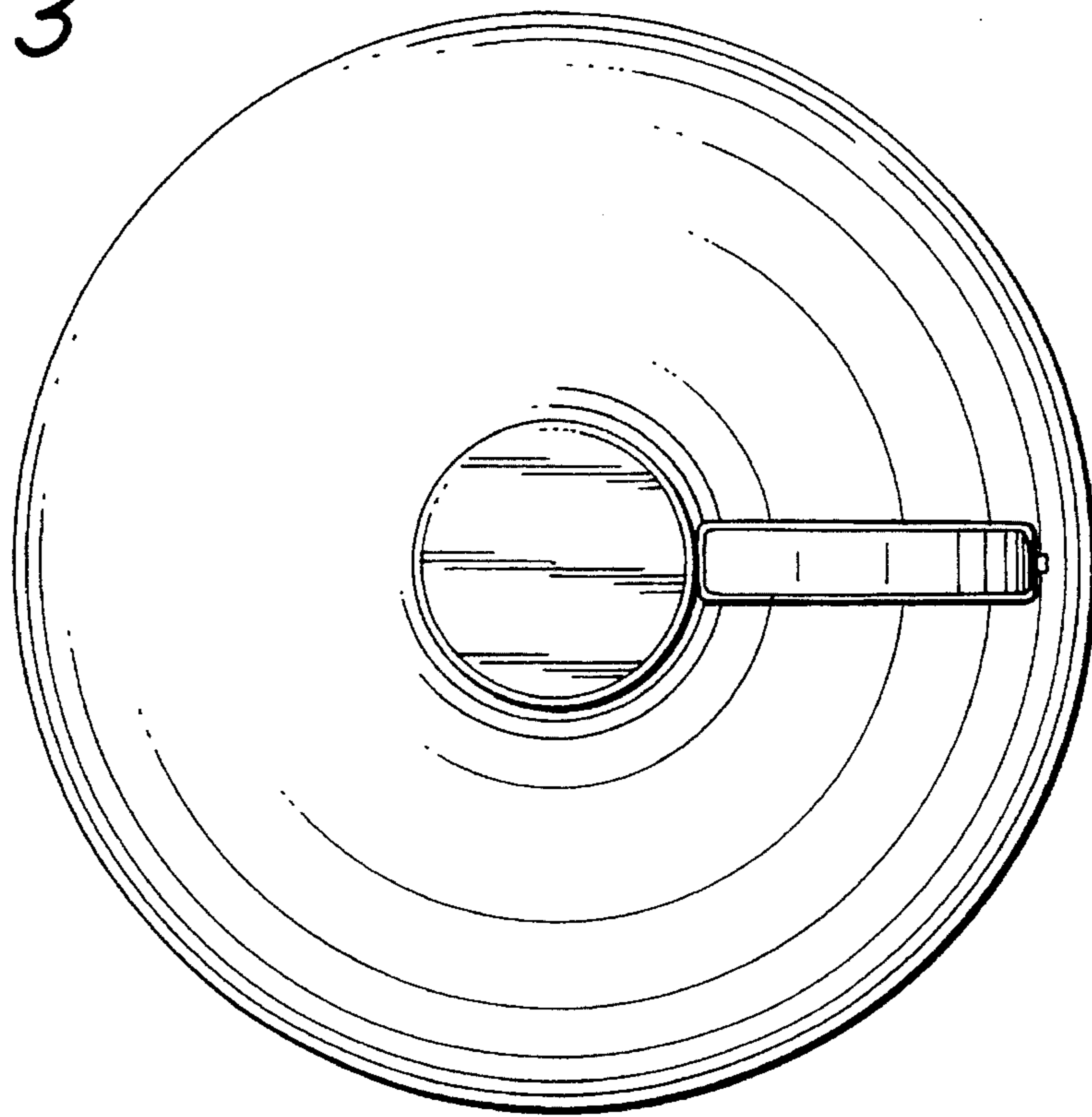


*Fig. 2*

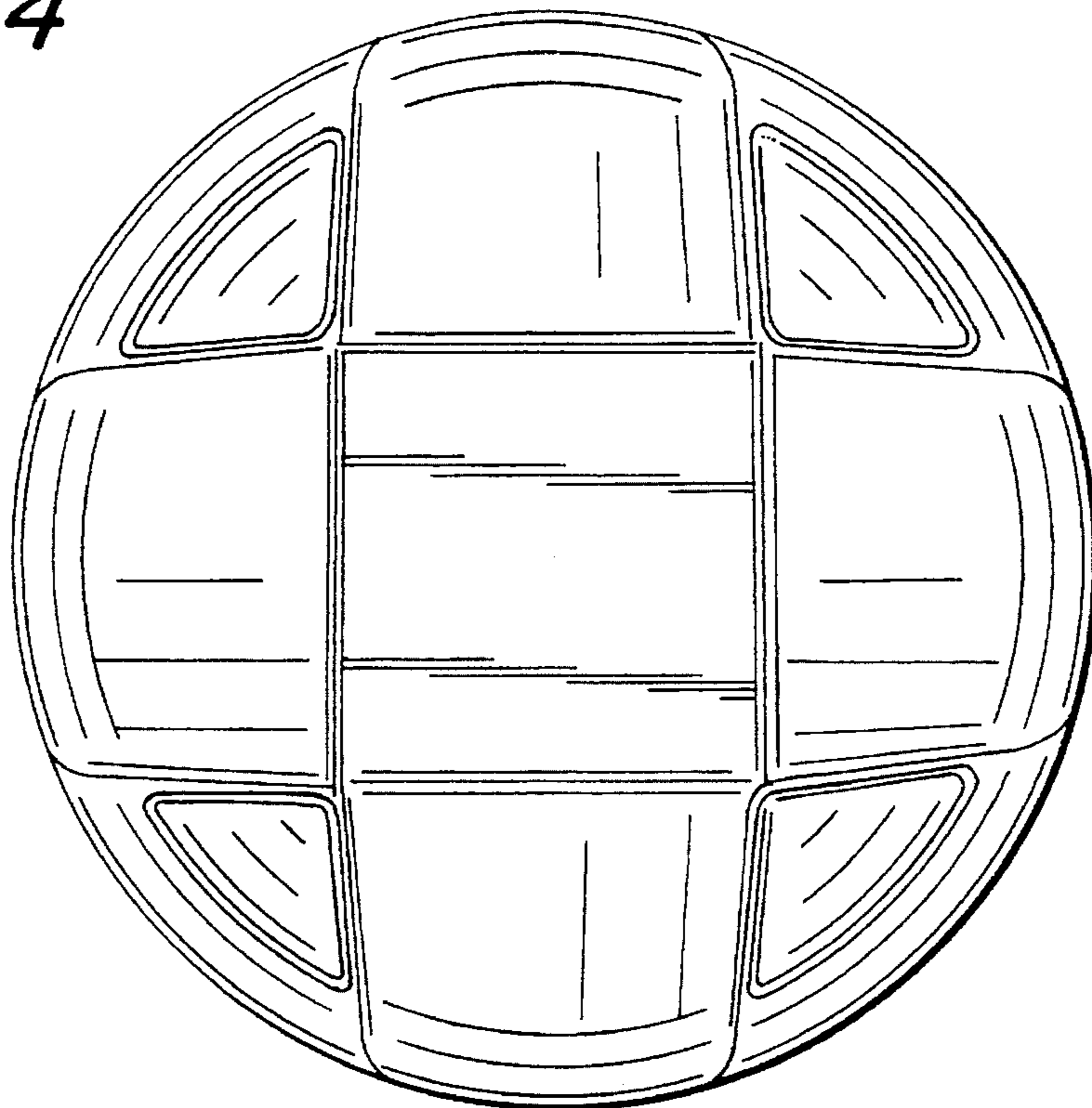


*Fig. 1*

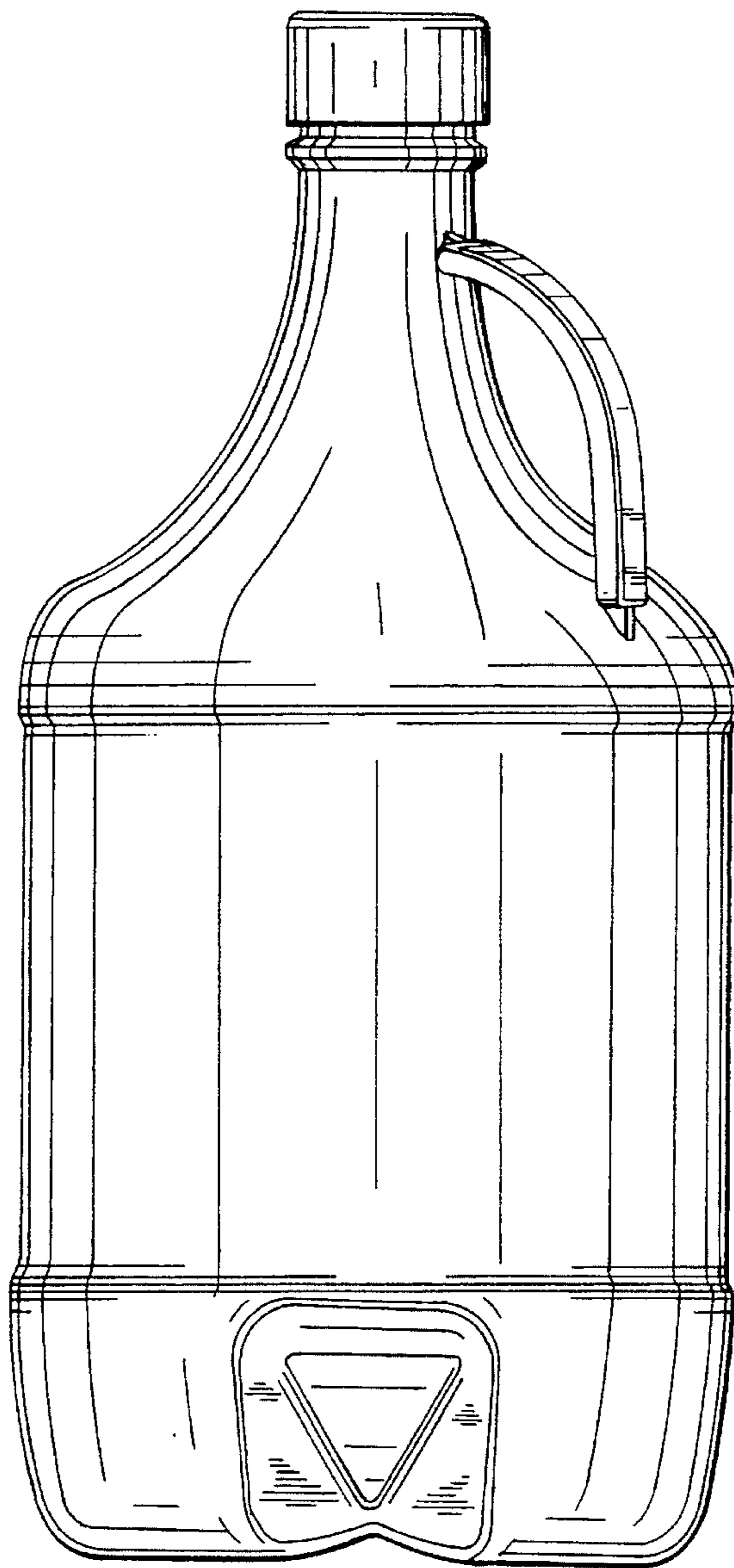
*Fig. 3*



*Fig. 4*



*Fig. 5*



*Fig. 6*

