



US00D369498S

United States Patent [19]

Newcomb

[11] Patent Number: **Des. 369,498**

[45] Date of Patent: ****May 7, 1996**

[54] **POCKET ORGANIZER FOR BEACH CHAIR**

[76] Inventor: **Robert Newcomb**, 24 Chadwick Wade Dr., Asheville, N.C. 28804

[**] Term: **14 Years**

[21] Appl. No.: **34,345**

[22] Filed: **Feb. 2, 1995**

[52] U.S. Cl. **D6/513**

[58] Field of Search D6/567, 513, 611, D6/343, 502; 297/188, 191, 224

[56] **References Cited**

U.S. PATENT DOCUMENTS

D. 309,227	7/1990	Popiolkowski	D6/610 X
D. 357,609	4/1995	Webb et al.	D6/596
D. 358,731	5/1995	McAlear	D6/513
3,479,085	11/1969	Weinstein	.	
4,273,380	6/1981	Silvestri	.	
4,302,046	11/1981	Lazazzero	297/191
4,466,659	8/1984	Carpentier et al.	.	
4,597,605	7/1986	Gilbert	.	
4,725,094	2/1988	Greer	.	
4,877,288	10/1989	Lee	.	
5,354,119	10/1994	Nicholas	297/191

Primary Examiner—Brian N. Vinson
Attorney, Agent, or Firm—Carter & Schmedler

[57] **CLAIM**

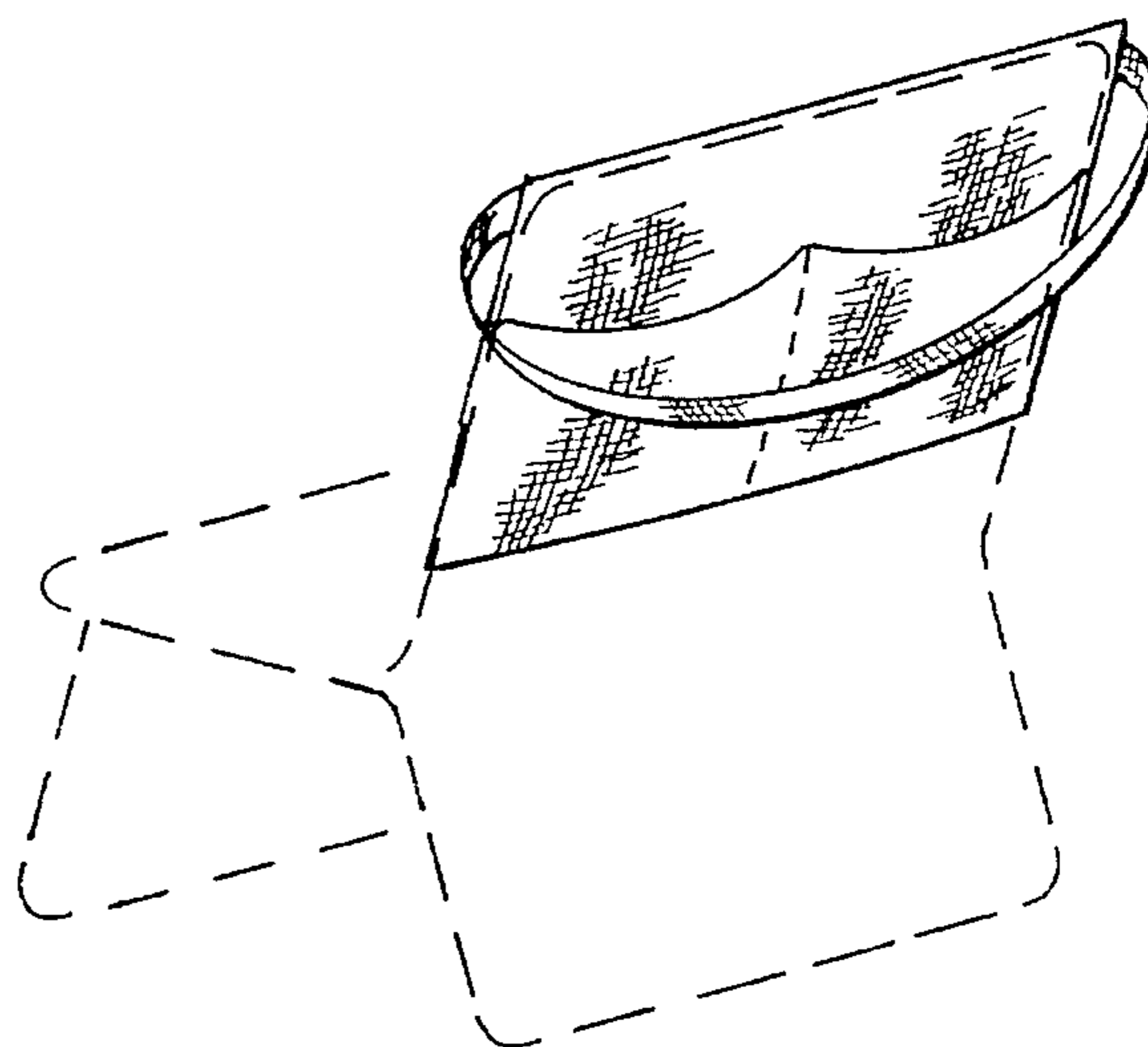
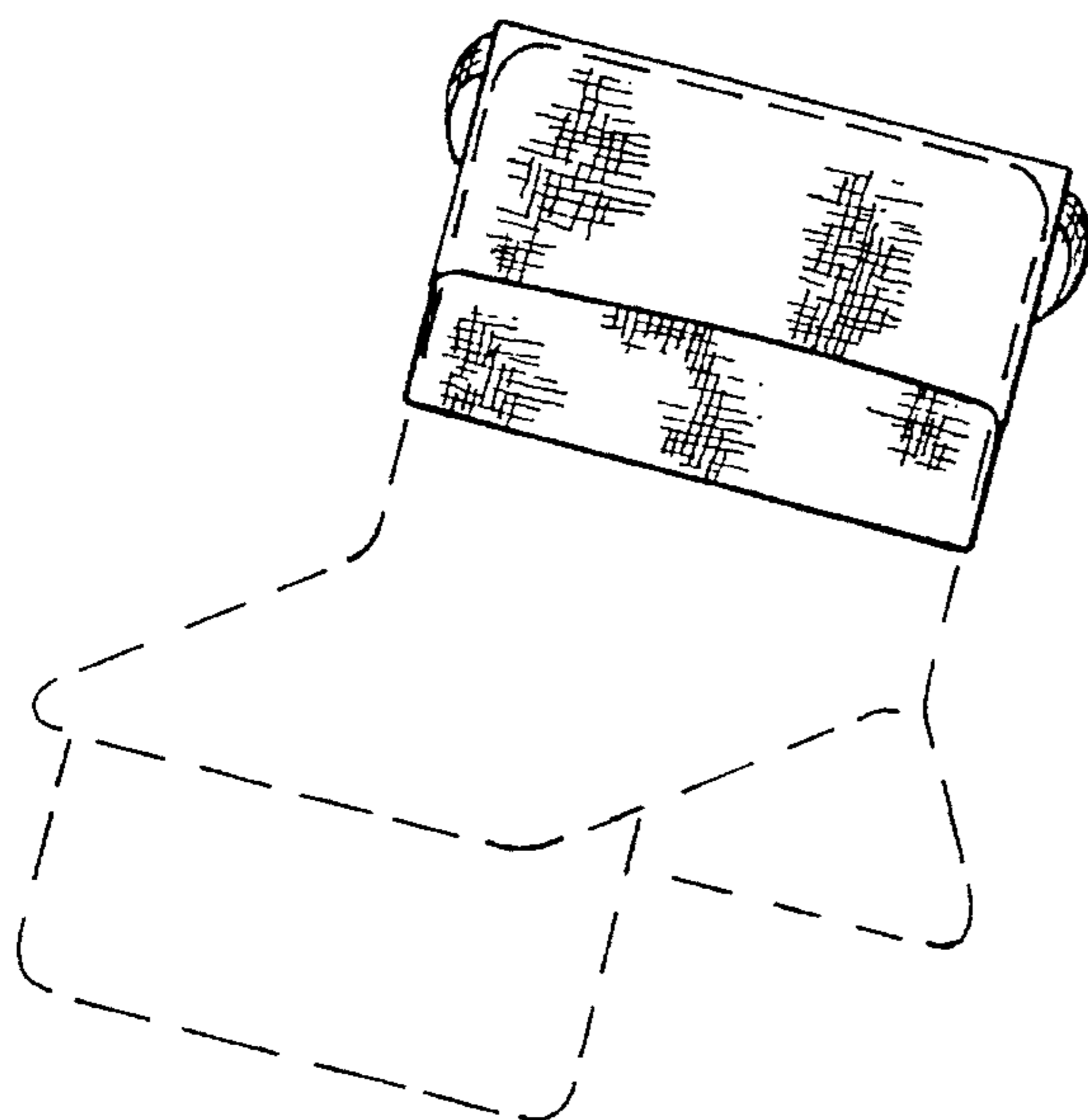
The ornamental design for a pocket organizer for beach chair, as shown.

DESCRIPTION

FIG. 1 is a front perspective view of a pocket organizer for beach chair showing my new design;
 FIG. 2 is a front elevational view thereof;
 FIG. 3 is a left side elevational view thereof;
 FIG. 4 is a right side elevational view thereof;
 FIG. 5 is a top view thereof;
 FIG. 6 is bottom view thereof;
 FIG. 7 is a rear elevation view thereof;
 FIG. 8 is a reduced front and right side perspective view thereof; and,
 FIG. 9 is a reduced rear and right side perspective view thereof.

The broken-line disclosure of a chair in the views is for illustrative purposes only and forms no part of the claimed design.

1 Claim, 2 Drawing Sheets



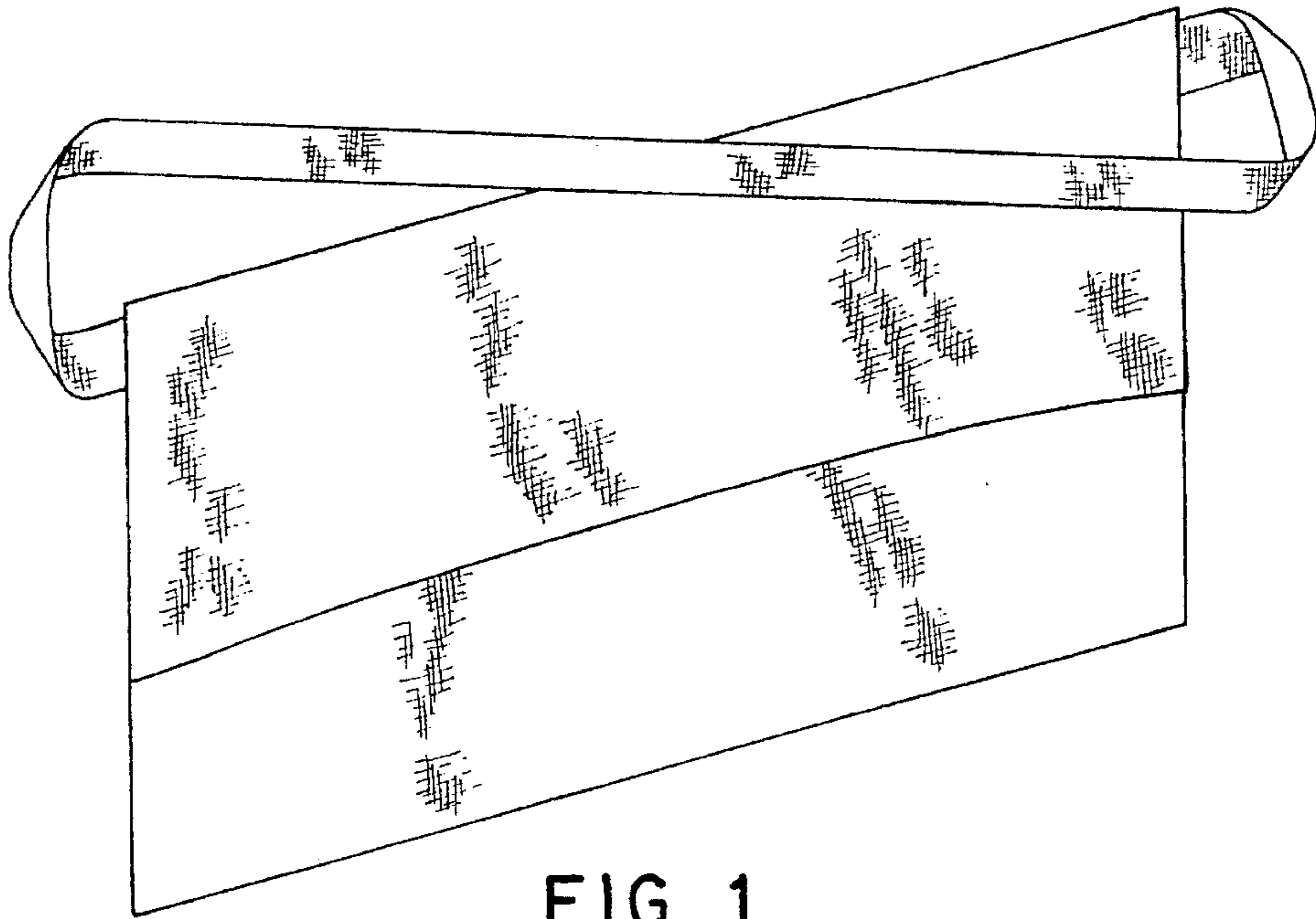


FIG. 1

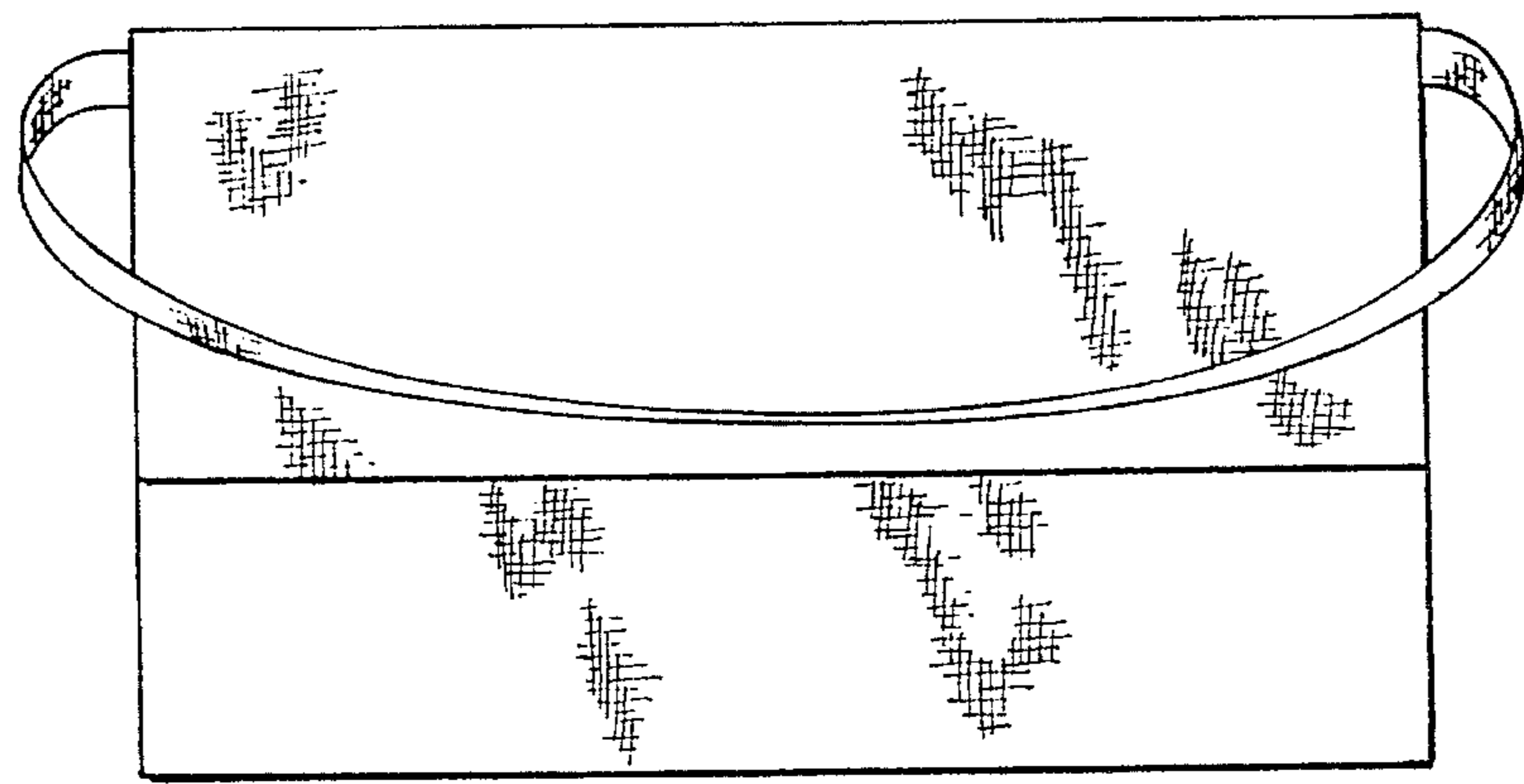


FIG. 2

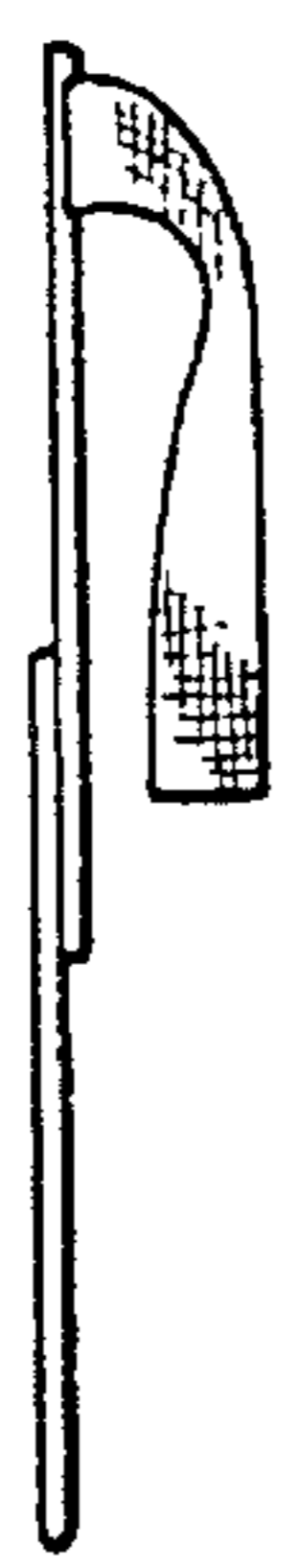


FIG. 3

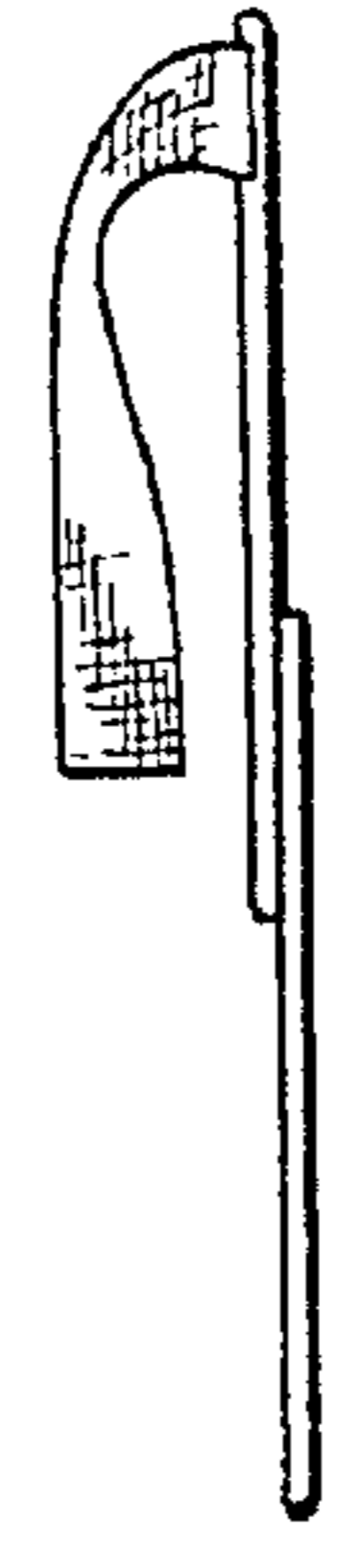


FIG. 4

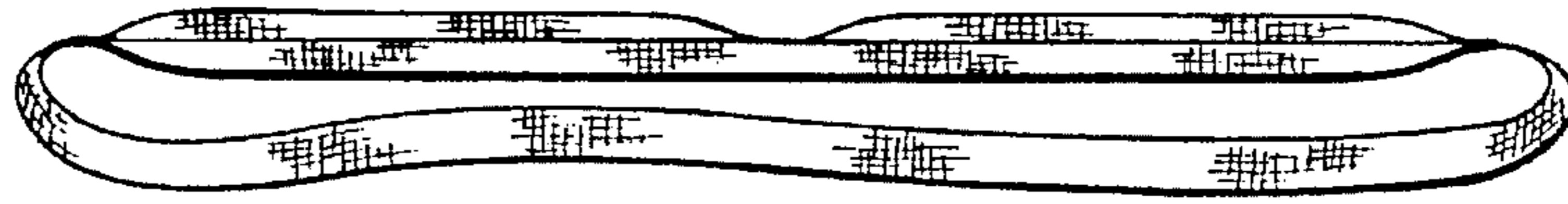


FIG. 5

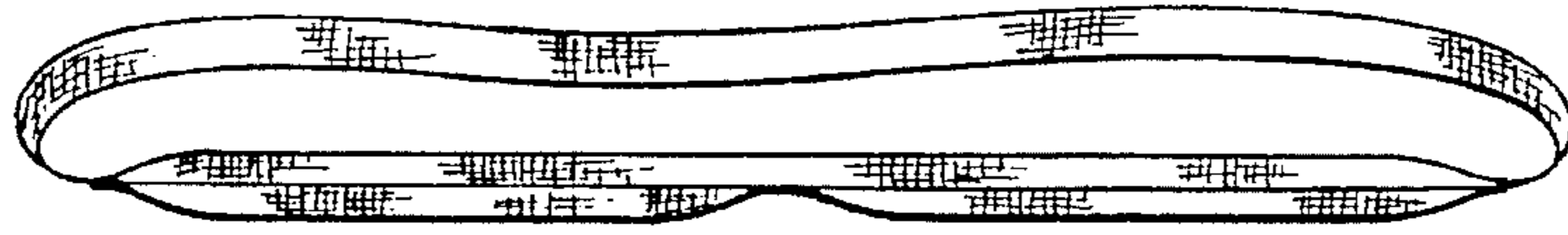


FIG. 6

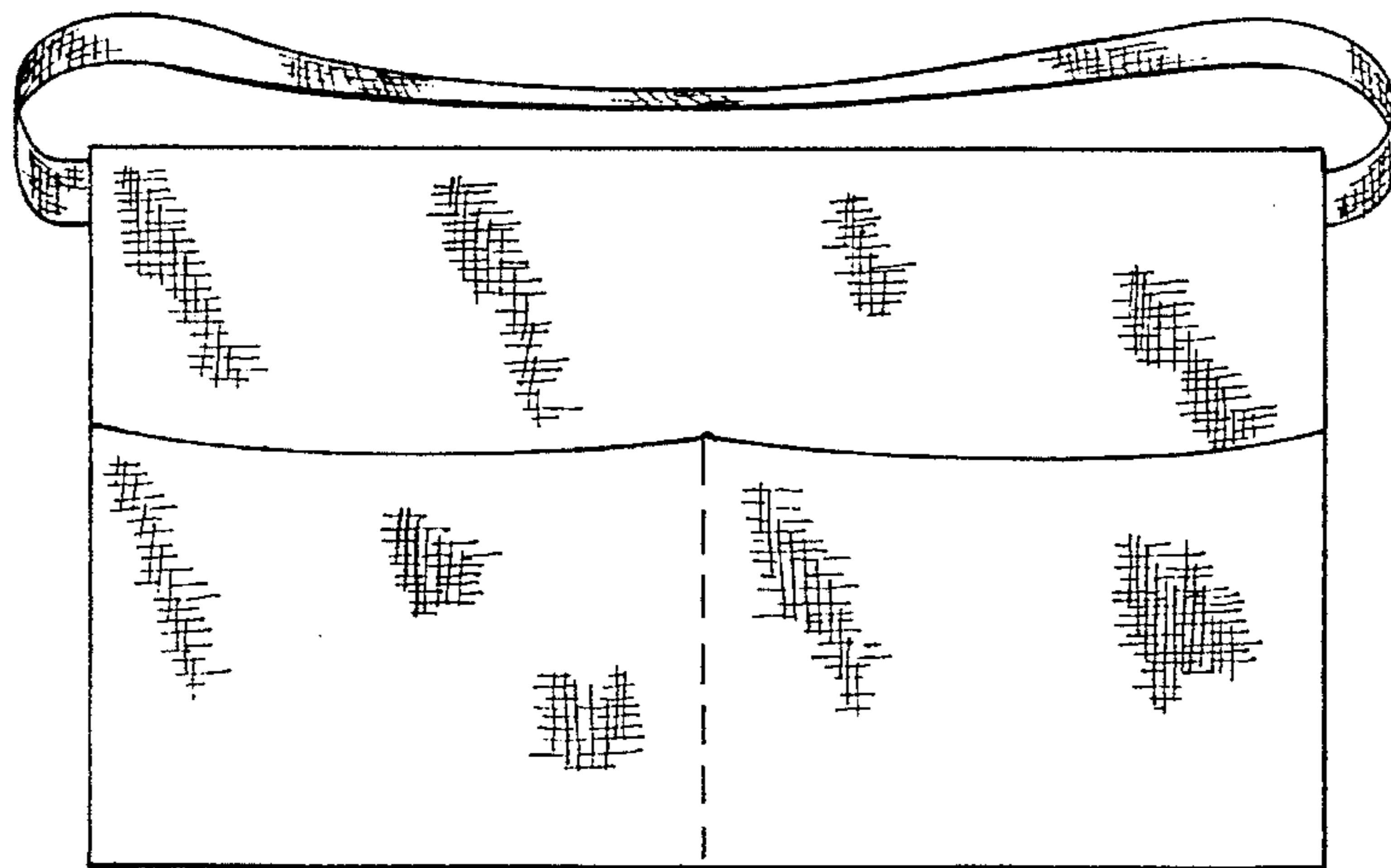


FIG. 7

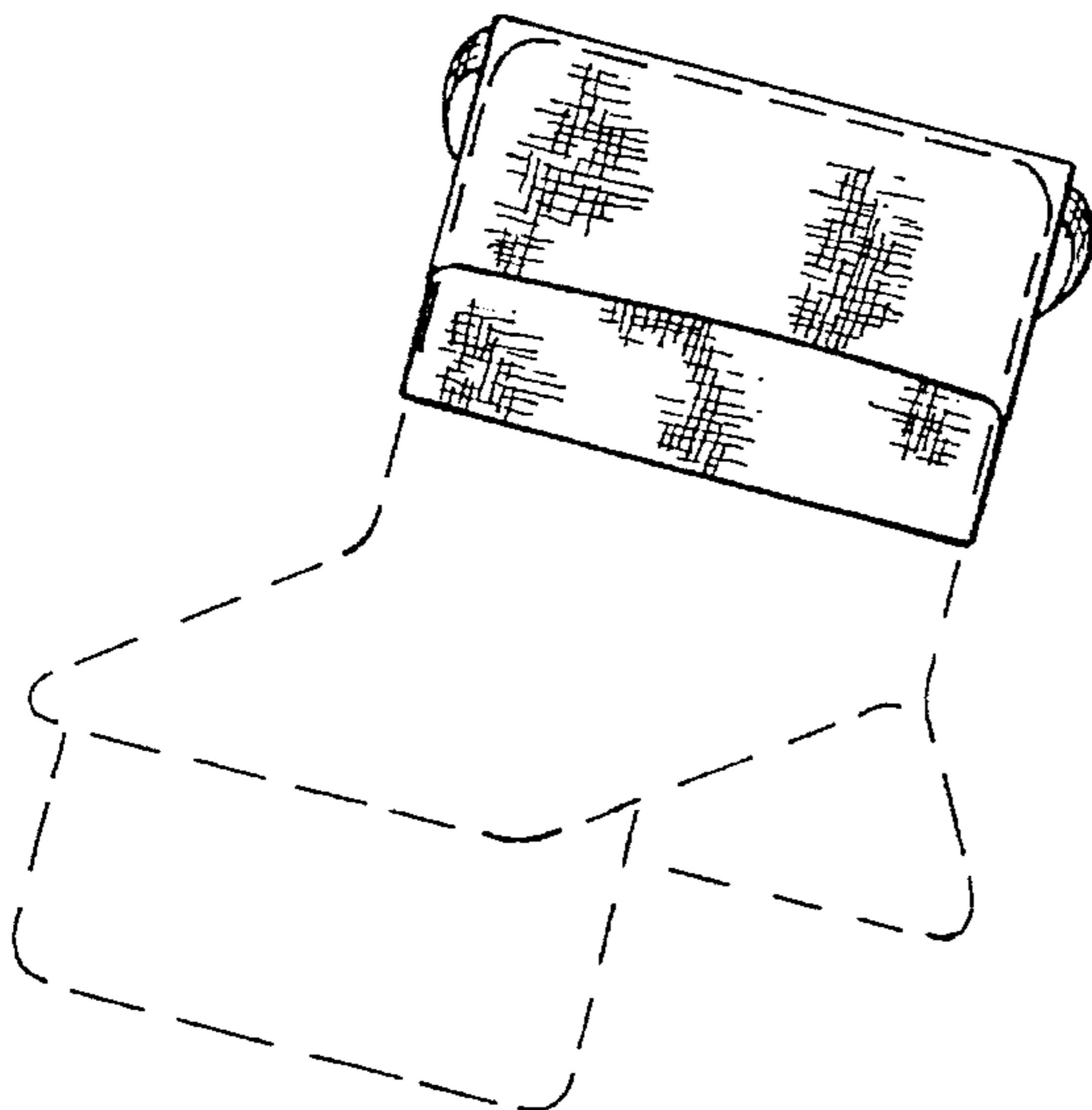


FIG. 8

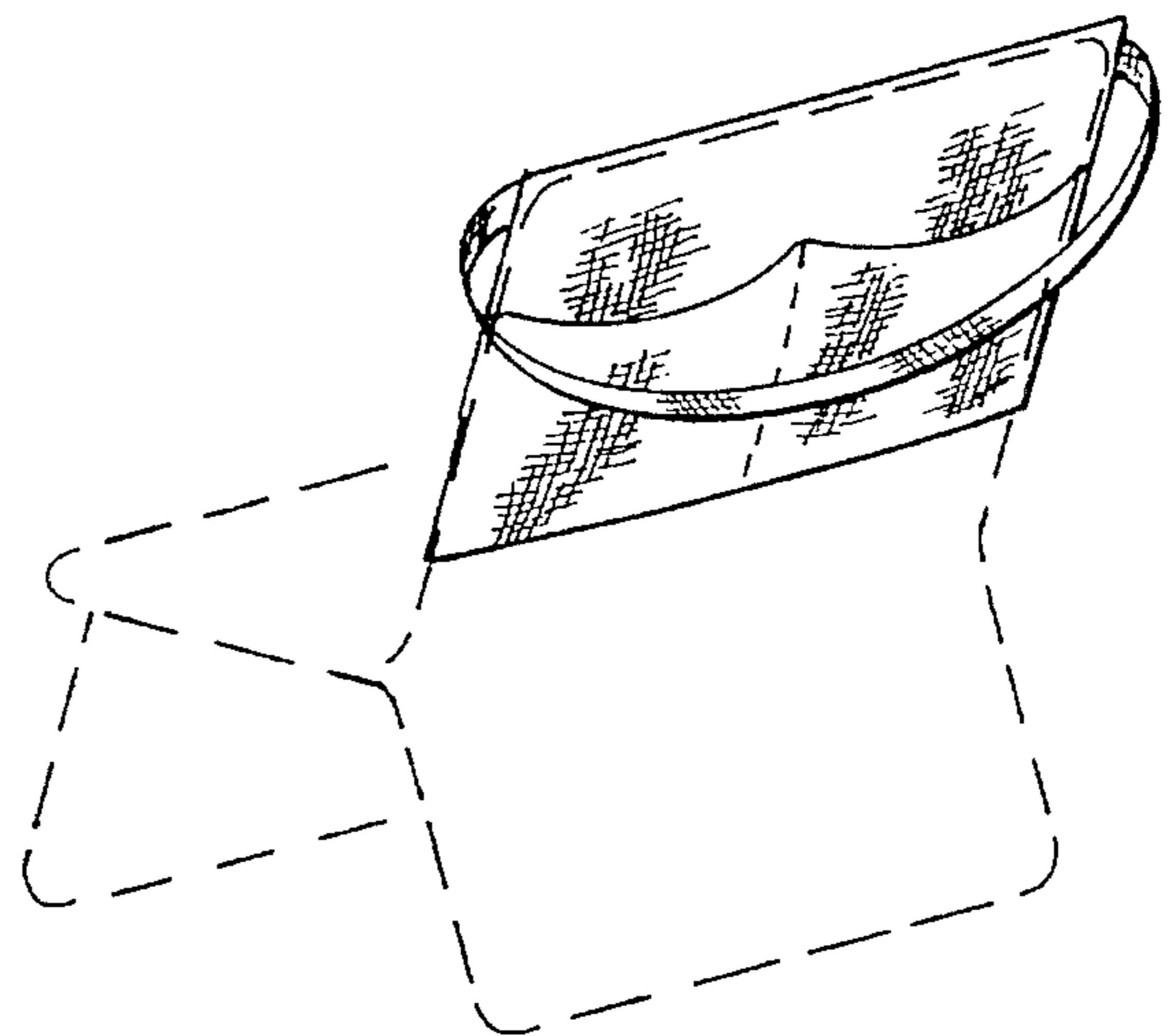


FIG. 9