



US00D369496S

United States Patent [19] Bartle

[11] **Patent Number:** **Des. 369,496**
[45] **Date of Patent:** ****May 7, 1996**

[54] COAT STAND

[76] Inventor: **Andrew D. Bartle**, 2 East Cottage,
High Street, Clearwell, Coleford,
Gloucestershire GL16 8JS, England

[**] Term: **14 Years**

[21] Appl. No.: **17,966**

[22] Filed: **Jan. 27, 1994**

[30] Foreign Application Priority Data

Jul. 28, 1993 [GB] United Kingdom 2032711

[52] U.S. Cl. **D6/415; D6/457**

[58] Field of Search D6/498, 411, 415,
D6/449, 455, 457, 458, 462, 546, 548,
549; 211/196, 205, 206, 163, 33; 248/303,
304, 121, 188.7, 158

[56] References Cited

U.S. PATENT DOCUMENTS

D. 194,667	2/1963	Burke	D6/498
D. 276,864	12/1984	Ponzellini	D6/498
1,763,748	6/1930	Best	211/196 X
3,617,023	11/1971	Schniederman	248/188.7
4,372,450	2/1983	Licari et al.	248/304 X
4,911,391	3/1990	Ellis	248/188.7

OTHER PUBLICATIONS

Best Catalog, 1981/1982 p. 230, Item 5.
Sturbridge Yankee Workshop, Spring/1993, p. 35 Item I.

Primary Examiner—Jeffrey Asch
Attorney, Agent, or Firm—Young & Thompson

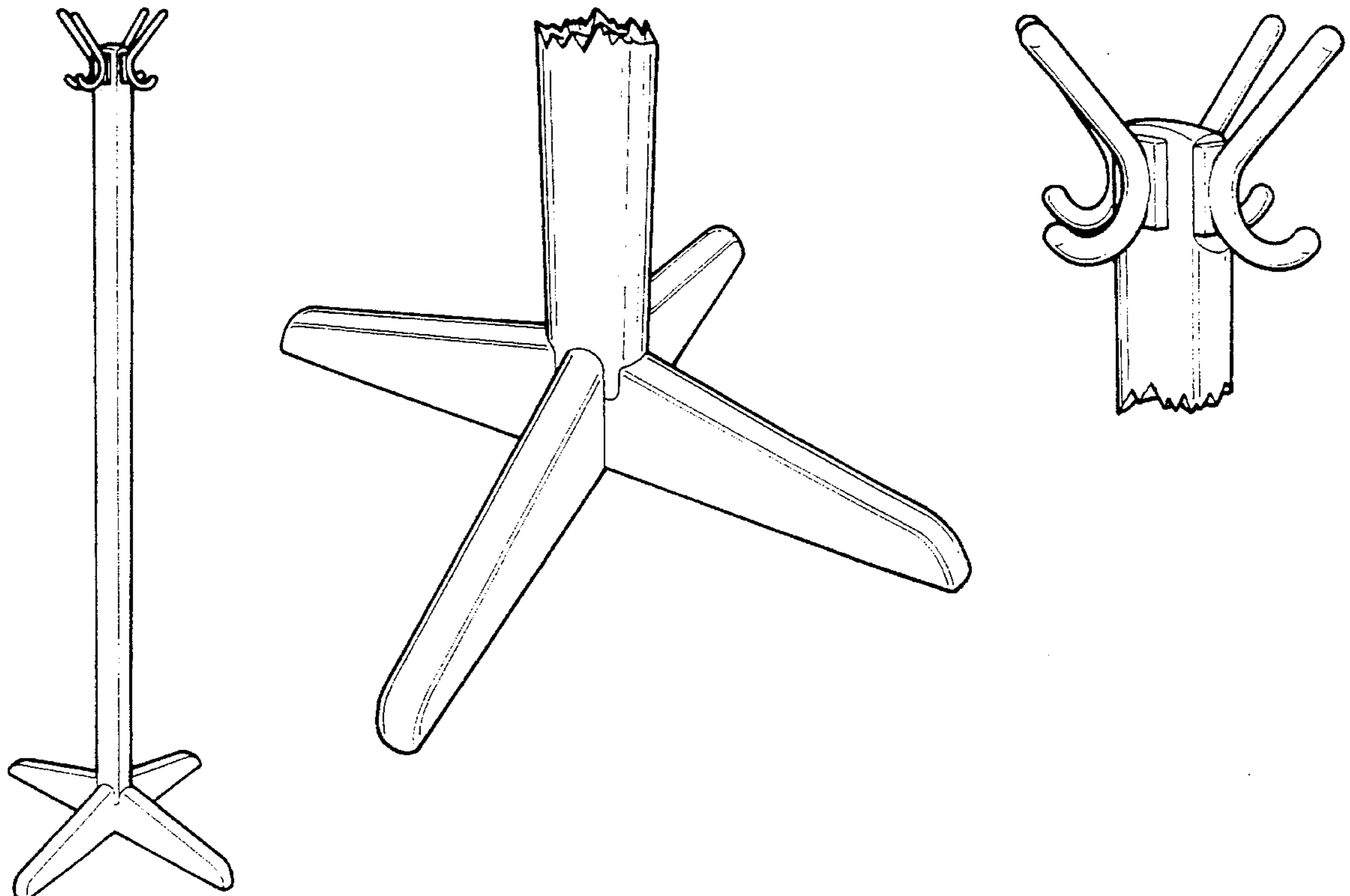
[57] CLAIM

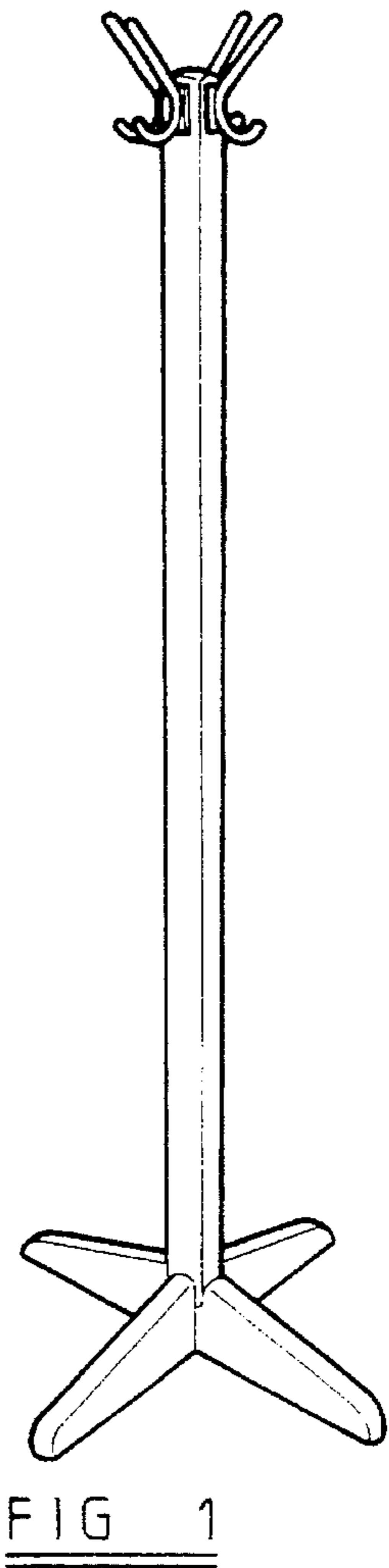
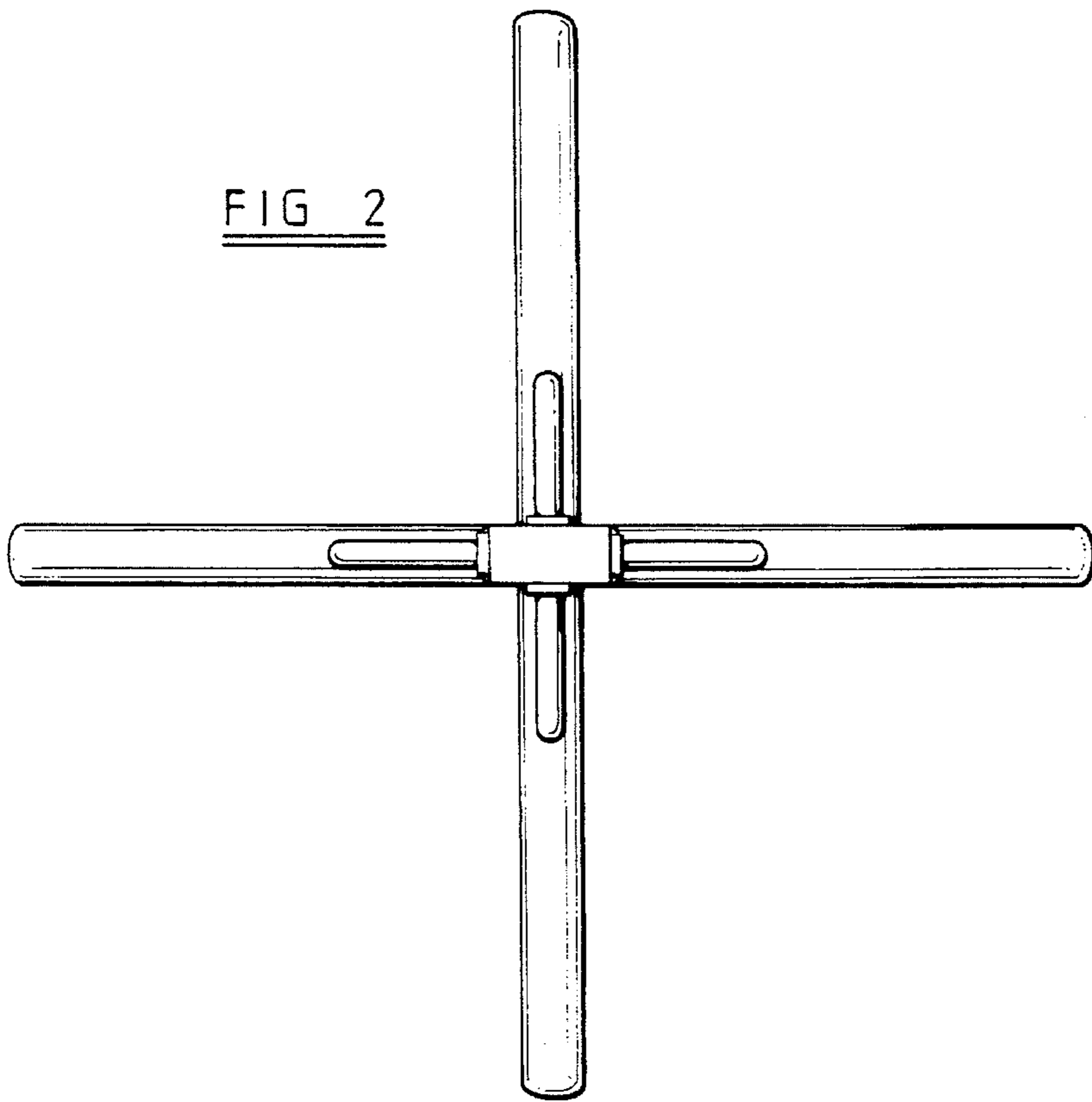
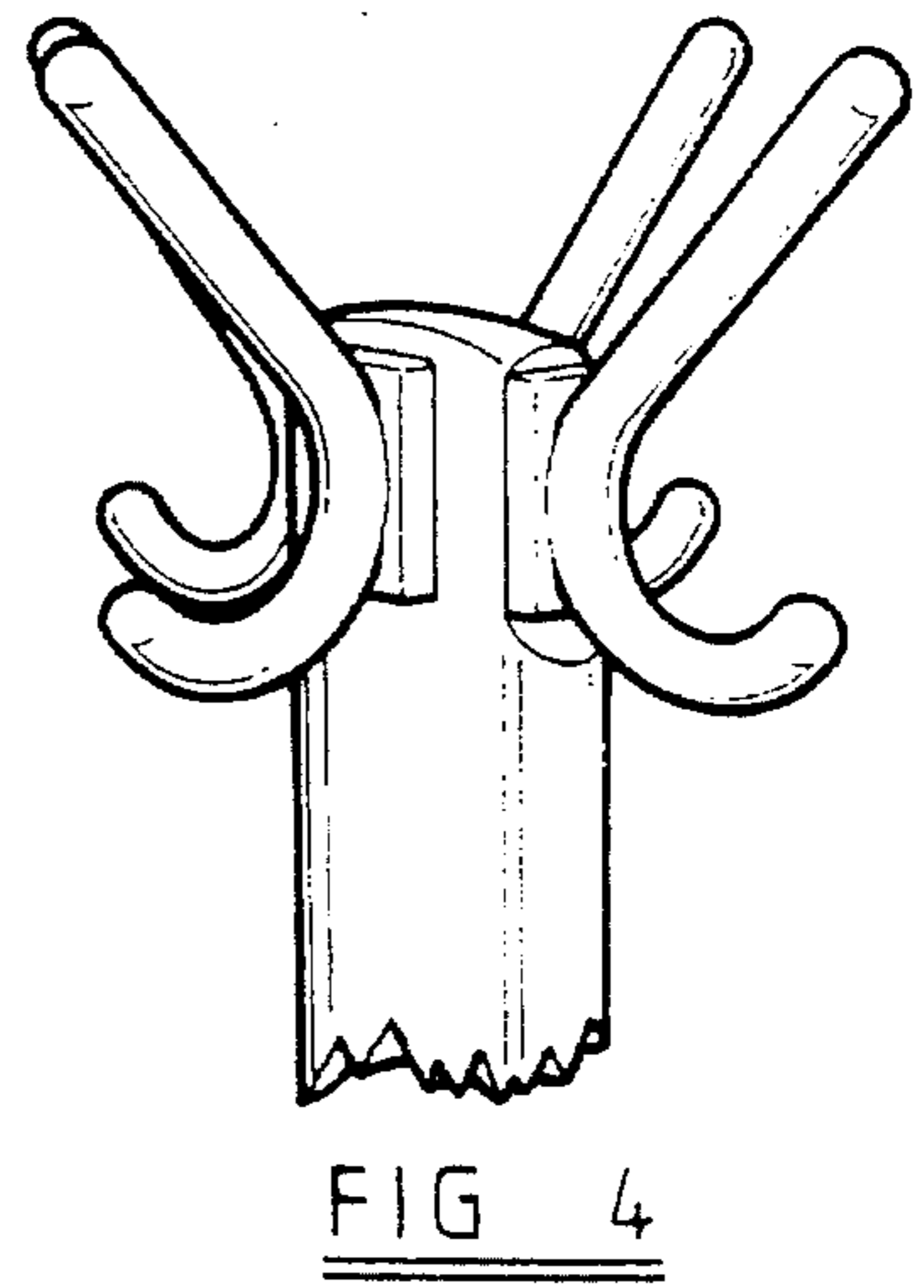
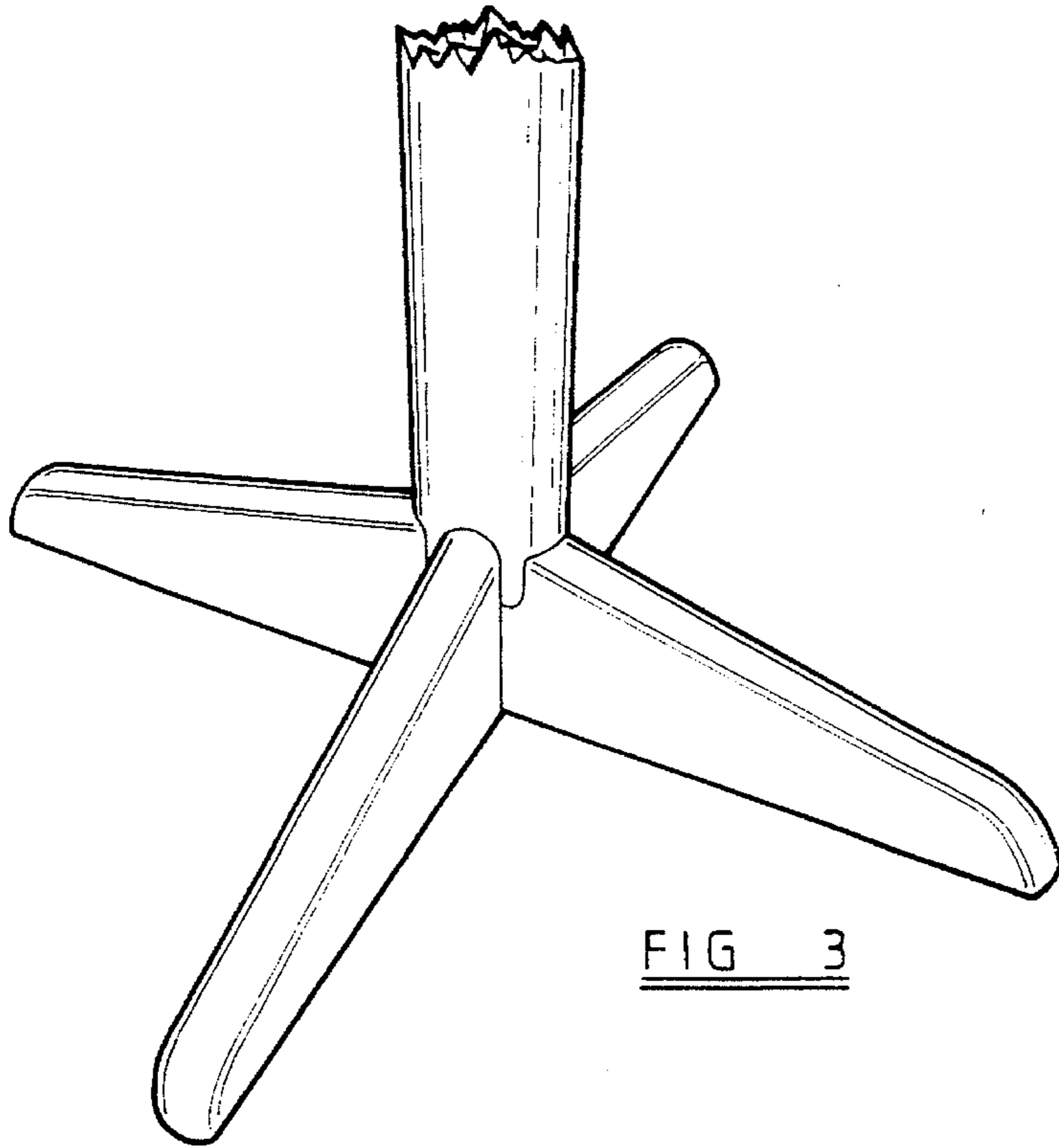
The ornamental design for a coat stand, as shown and described.

DESCRIPTION

FIG. 1 is a top and side perspective view of a coat stand showing my new design;
FIG. 2 is an enlarged top plan view thereof;
FIG. 3 is an enlarged fragmentary perspective view of the base thereof;
FIG. 4 is an enlarged fragmentary perspective view of the top thereof; and,
FIG. 5 is an enlarged bottom plan view thereof.
The sides opposite those shown in FIGS. 1, 3 and 4 are identical thereto.
FIGS. 3 and 4 have been shown as enlarged fragmentary views for convenience of illustration.

1 Claim, 2 Drawing Sheets





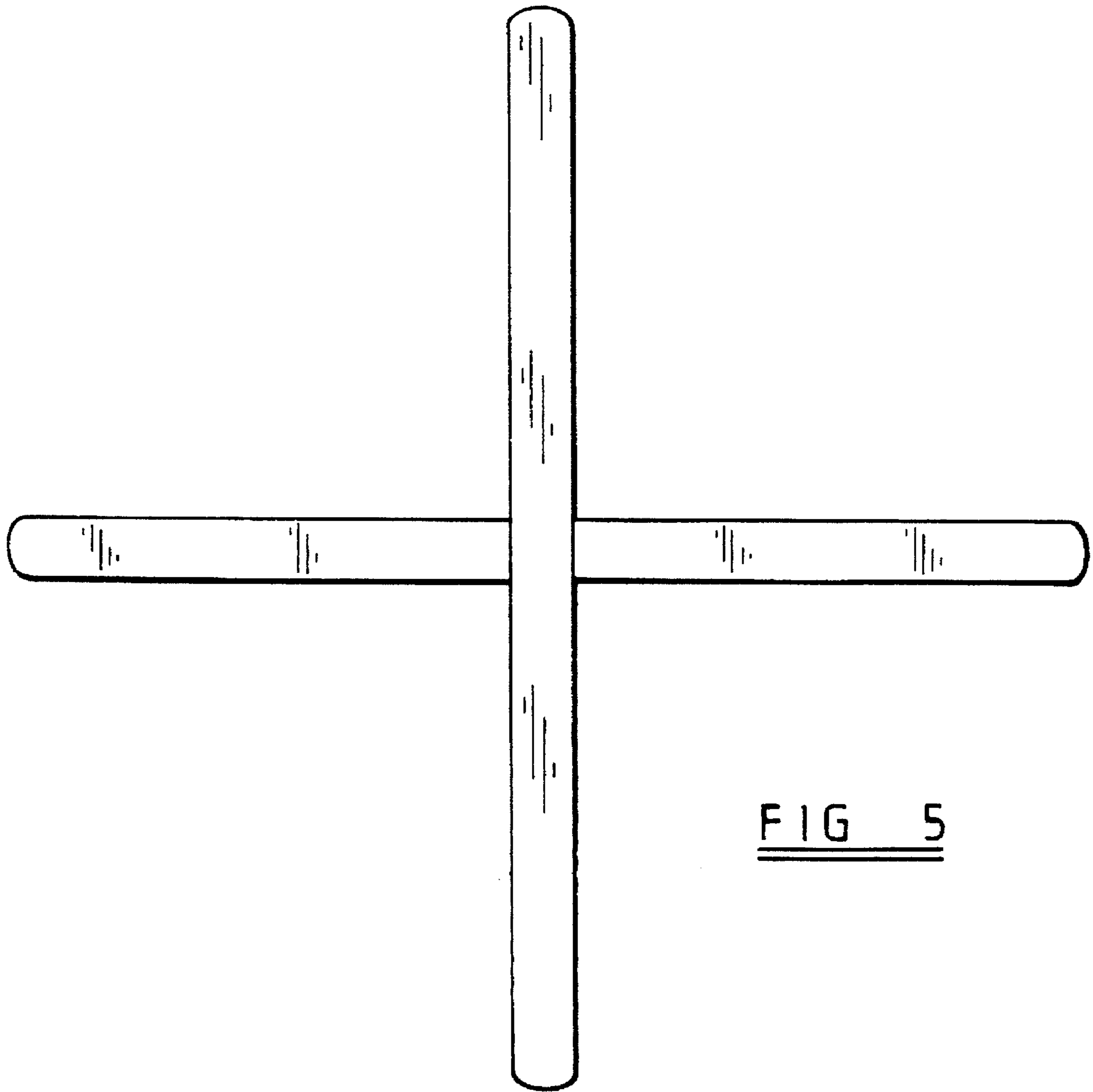


FIG 5