



US00D369489S

# United States Patent [19]

[11] Patent Number: **Des. 369,489**

McDiarmid

[45] Date of Patent: **\*\*May 7, 1996**

[54] CHAIR BODY

D. 295,466 5/1988 Bellini ..... D6/366

[75] Inventor: **Ronald D. McDiarmid**, La Habra, Calif.

*Primary Examiner*—Martie Thompson  
*Attorney, Agent, or Firm*—Pretty, Schroeder, Brueggemann & Clark; James R. Brueggemann

[73] Assignee: **Gruga, U.S.A.**, City of Industry, Calif.

### [57] CLAIM

[\*\*] Term: **14 Years**

The ornamental design for a chair body, as shown and described.

[21] Appl. No.: **36,499**

### DESCRIPTION

[22] Filed: **Mar. 22, 1995**

[52] U.S. Cl. .... **D6/502**; D6/366

[58] Field of Search ..... D6/334, 366, 375-380, D6/499, 500, 501, 502; 297/452.14, 452.15, 452.35, 411.44, 411, 457

FIG. 1 is a front, right perspective view of a chair body embodying my new design;  
FIG. 2 is a top plan view thereof;  
FIG. 3 is a front elevational view thereof;  
FIG. 4 is a rear elevational view thereof;  
FIG. 5 is a left side elevational view thereof, which is a mirror image of the right side elevational view thereof; and, FIG. 6 is a bottom plan view thereof.

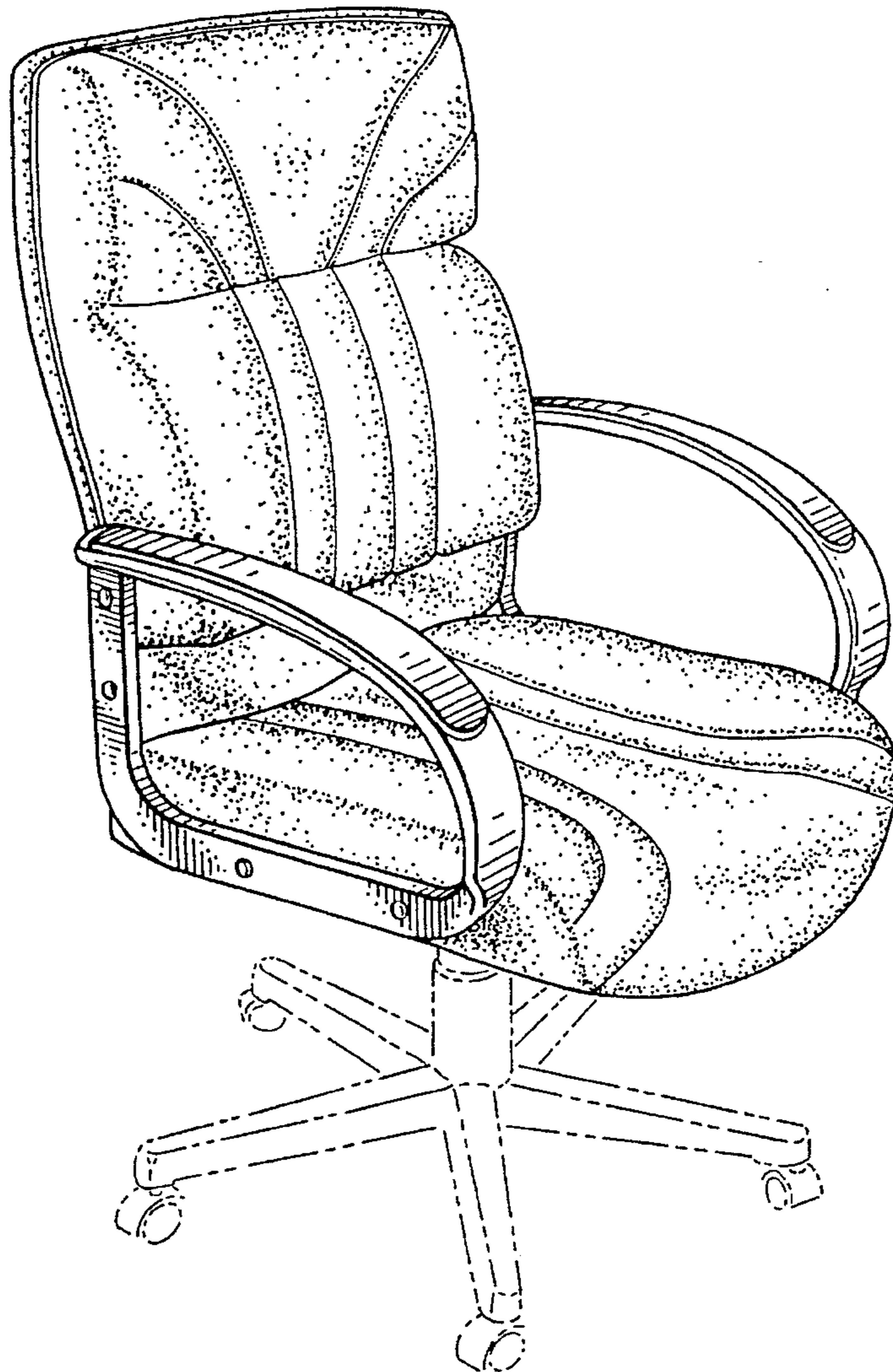
### [56] References Cited

#### U.S. PATENT DOCUMENTS

D. 240,348	6/1976	Schoblom	.....	D6/366
D. 250,618	12/1978	Bivas et al.	.....	D6/366
D. 259,750	7/1981	Buhk	.....	D6/366
D. 260,205	8/1981	Buhk	.....	D6/366
D. 282,221	1/1986	Platner	.....	D6/366

The broken lines depicting the chair leg structure in FIG. 1 are included for illustrative purposes only and form no part of the claimed design.

**1 Claim, 3 Drawing Sheets**



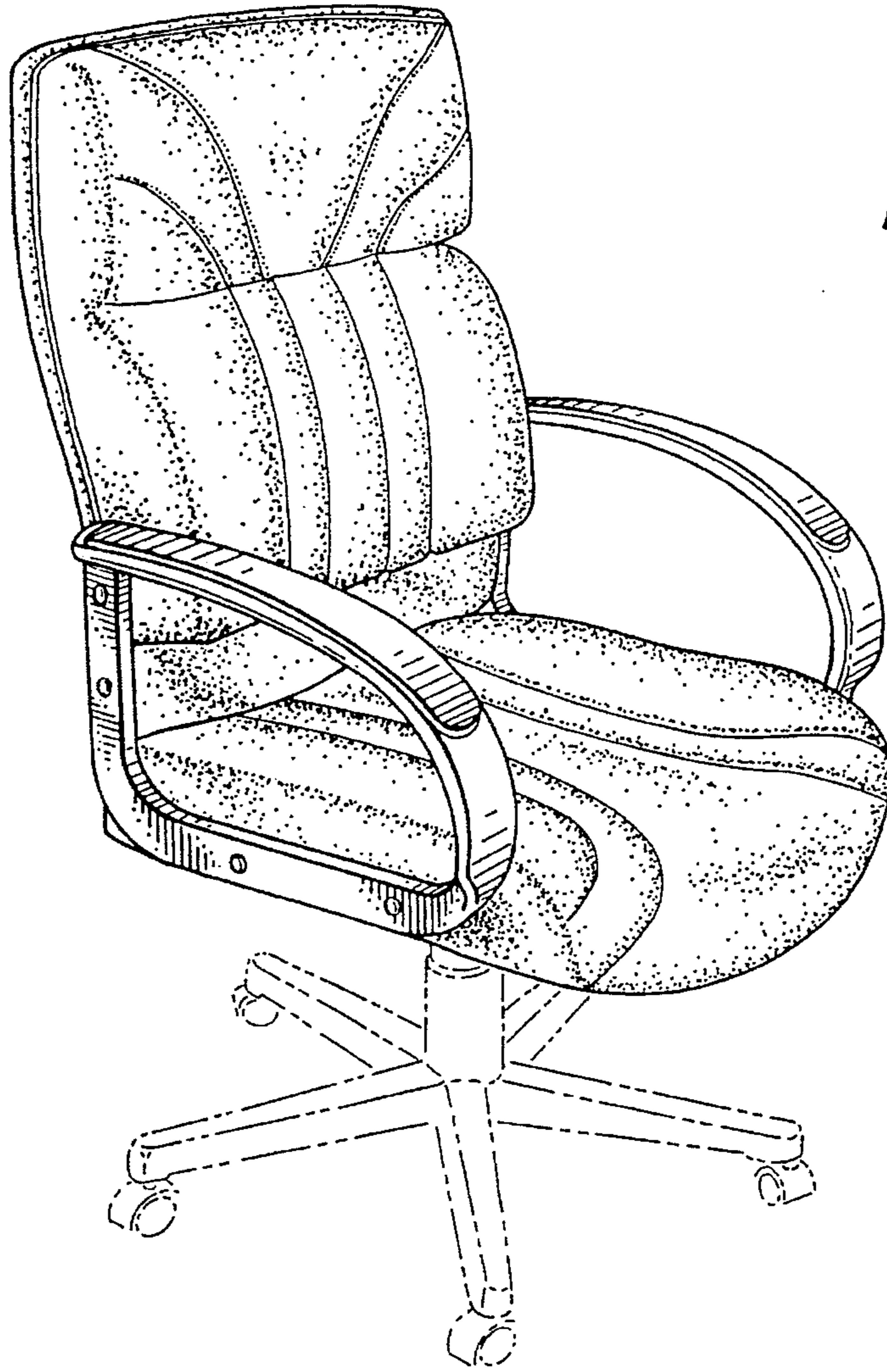


FIG. 1

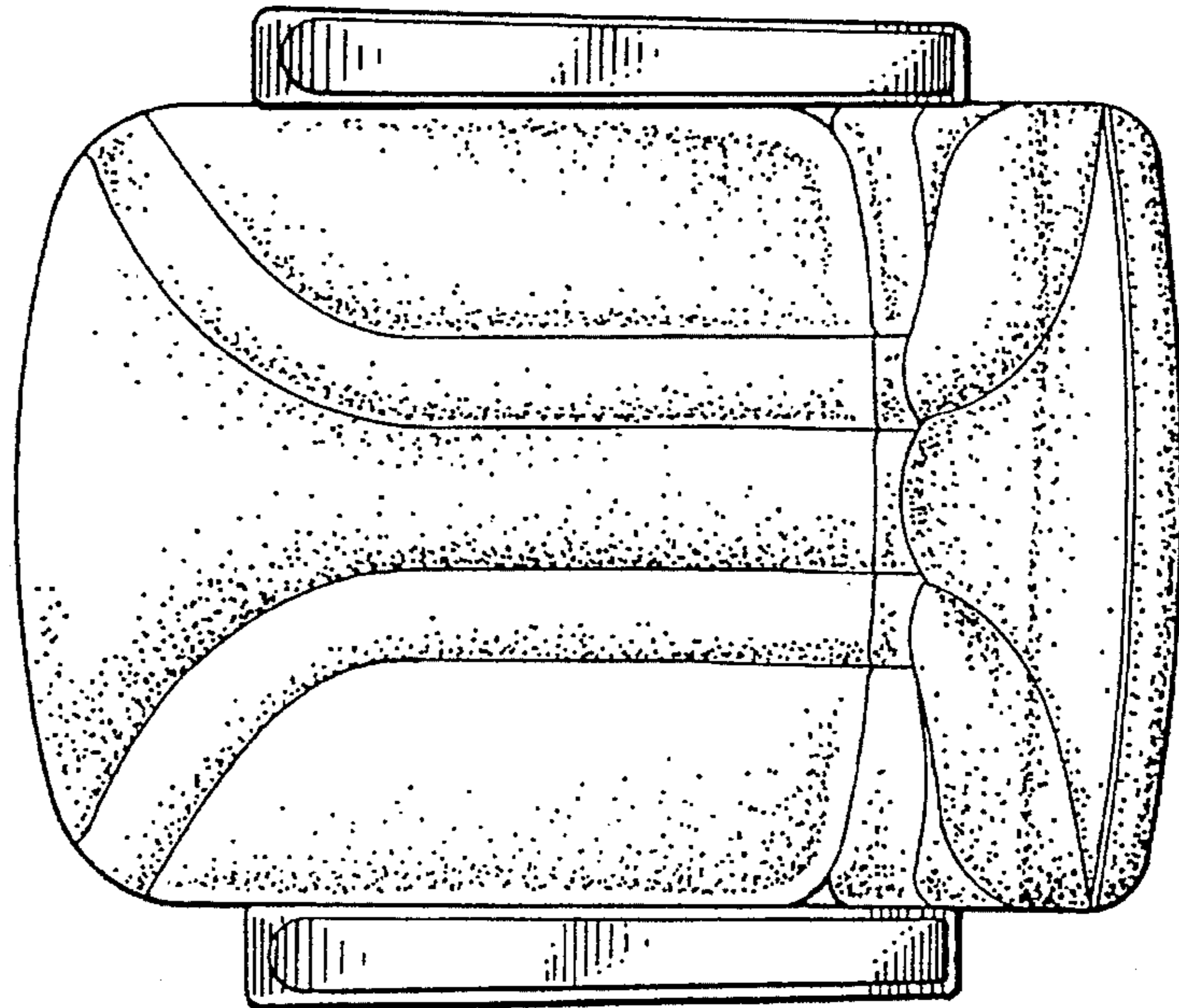


FIG. 2

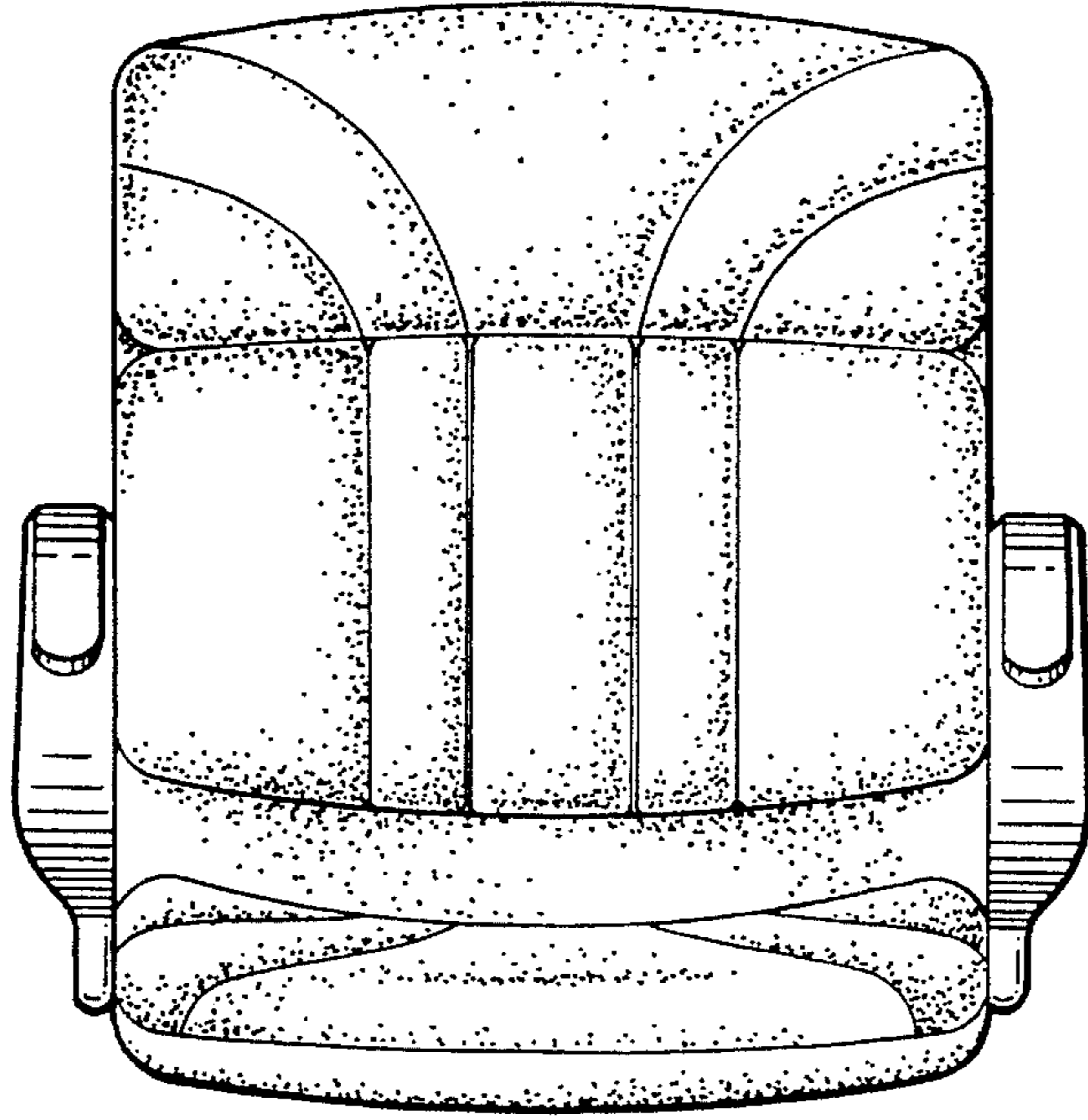


FIG. 3

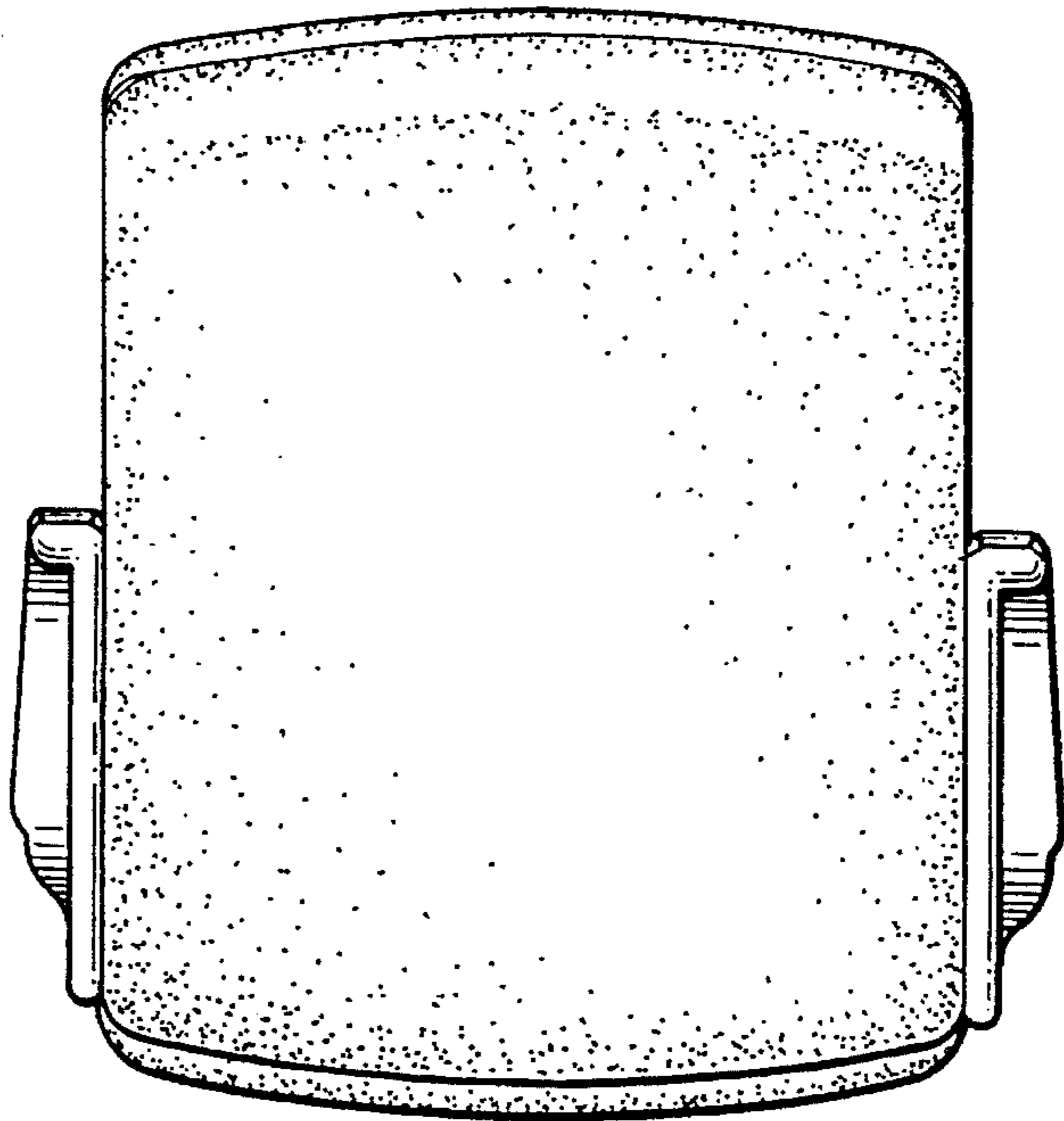


FIG. 4

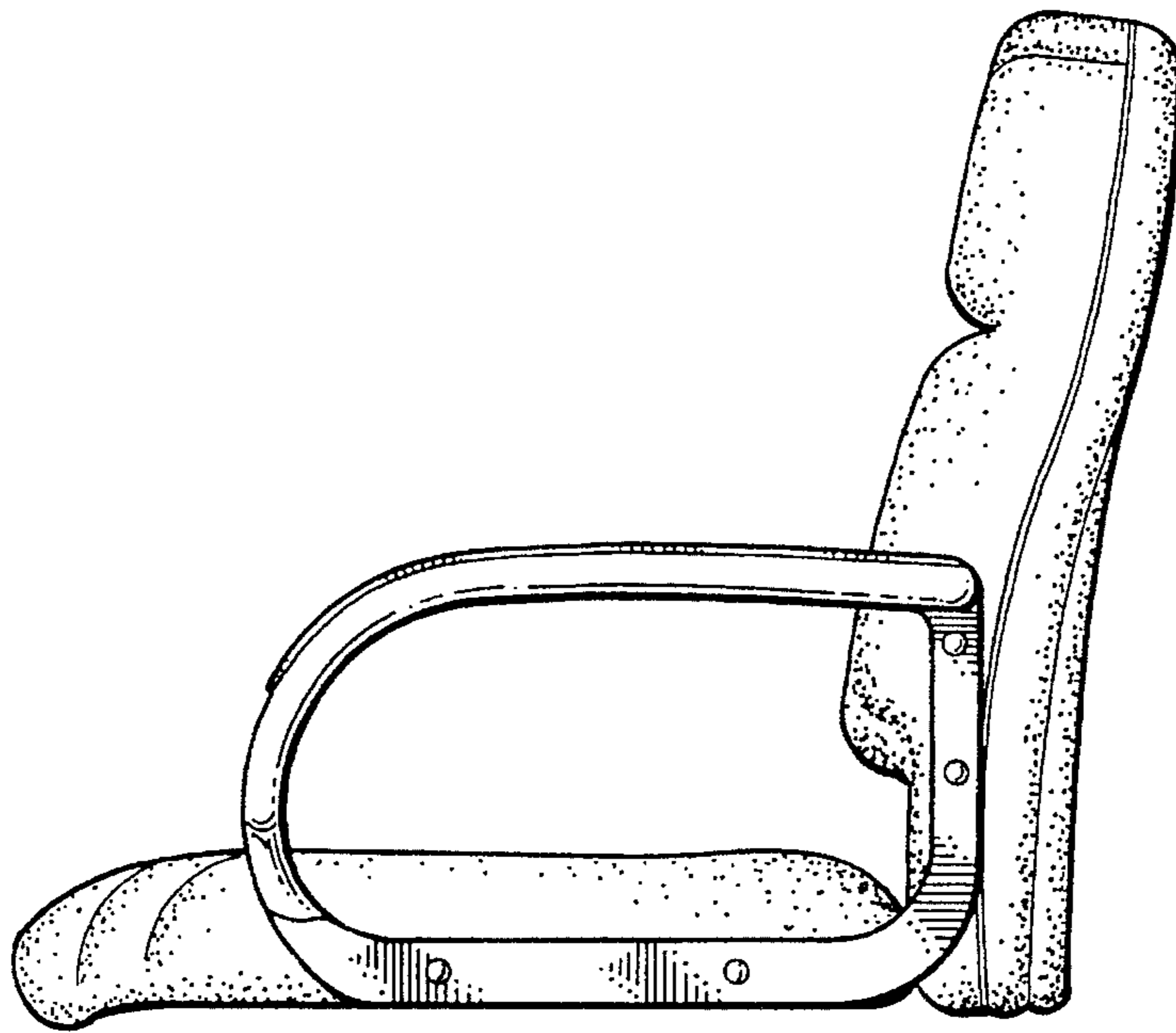


FIG. 5

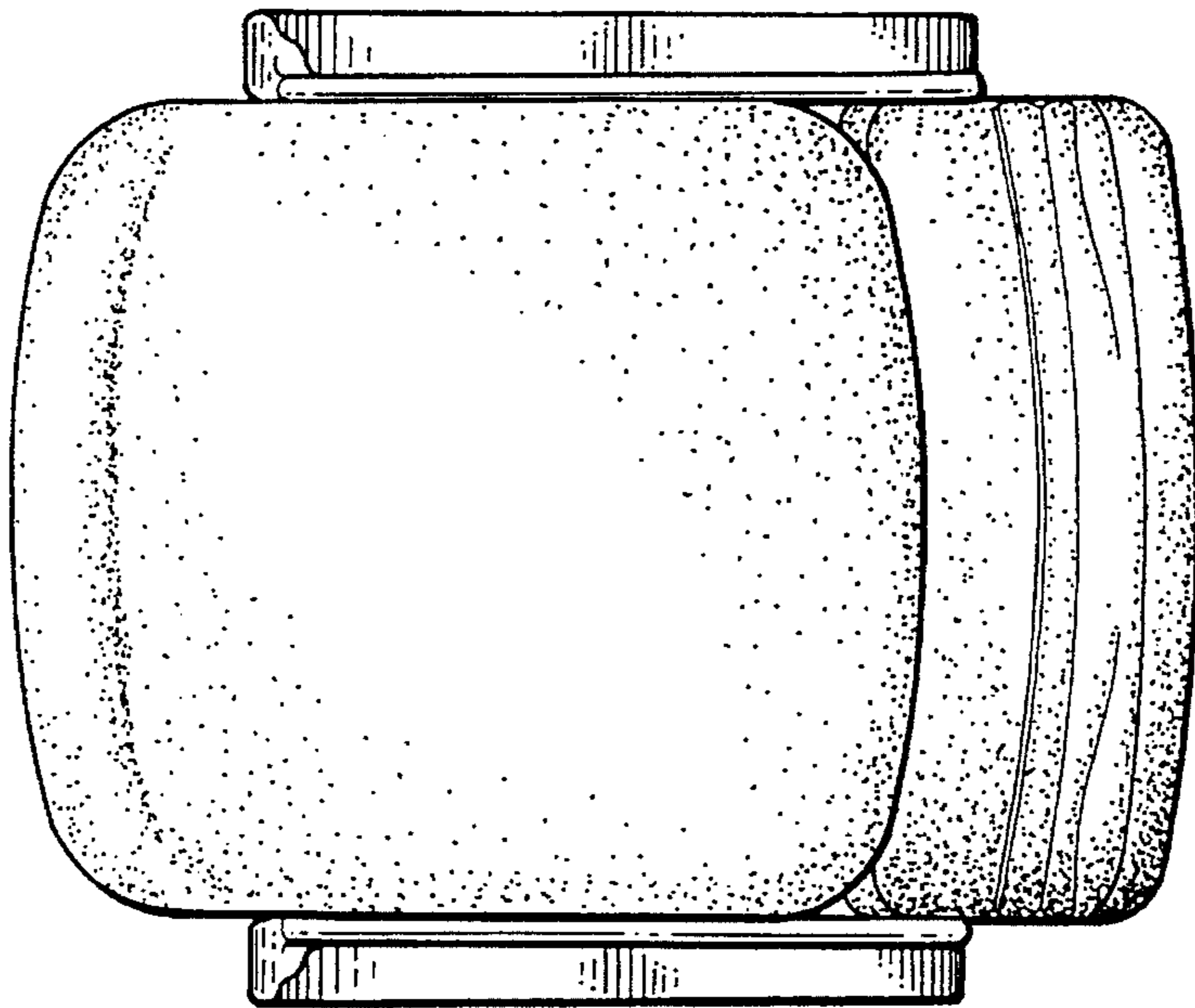


FIG. 6