



US00D369483S

**United States Patent** [19]  
**Kandel**

[11] **Patent Number: Des. 369,483**  
[45] **Date of Patent: \*\*May 7, 1996**

[54] **MERCHANDISE DISPLAY RACK**

*Attorney, Agent, or Firm*—Charles S. McGuire

[75] Inventor: **Frederick Kandel**, Syracuse, N.Y.

[57] **CLAIM**

[73] Assignee: **Pass & Seymour, Inc.**, Syracuse, N.Y.

The ornamental design for merchandise display rack, as shown and described.

[\*\*] Term: **14 Years**

**DESCRIPTION**

[21] Appl. No.: **20,188**

FIG. 1 is a perspective view of the merchandise display rack of the invention in exploded relation to a base upon which the rack may be optionally positioned to be free-standing on a horizontal surface, the base being shown in broken lines for illustrative purposes only and forming no part of the claimed design;

[22] Filed: **Mar. 21, 1994**

[52] U.S. Cl. .... **D6/465; D6/566**

[58] Field of Search ..... D6/462-465, 408, D6/415, 403-405, 515, 566; 211/181, 133, 13, 189; 248/175

FIG. 2 is a perspective view of the rack of FIG. 1 in exploded relation to a perforated, hollow beam to which the rack may optionally be secured by various fastening means, the beam and fasteners being shown in broken lines for illustrative purposes only and forming no part of the claimed design;

[56] **References Cited**

**U.S. PATENT DOCUMENTS**

D. 159,217	7/1950	Lydick .....	D6/465
D. 166,307	4/1952	Gibbs .....	D6/465
D. 196,980	11/1963	Christofferson .....	D6/465
D. 198,350	6/1964	Bomar, Jr. ....	D6/465
D. 313,898	1/1991	Vukelich, Sr. ....	D6/405
4,819,899	4/1989	Weil .....	211/133 X
4,953,879	9/1990	Cain et al. ....	211/133 X
5,215,199	6/1993	Bejarano .....	211/181 X

FIG. 3 is a front elevational view of the rack, the appearance being the same from the rear;

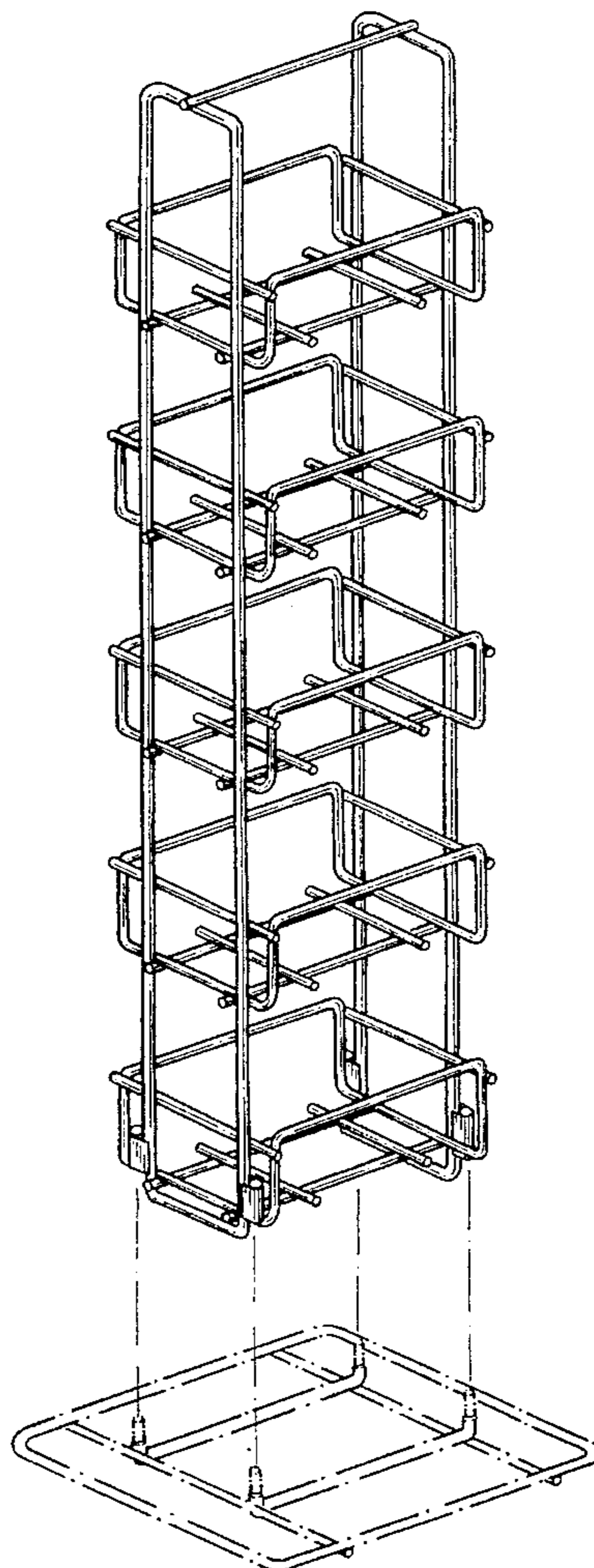
FIG. 4 is a side elevational view of the display rack, the appearance being the same from both sides;

FIG. 5 is a bottom plan view; and,

FIG. 6 is a top plan view thereof.

*Primary Examiner*—Jeffrey Asch

**1 Claim, 3 Drawing Sheets**



*FIG. 1*

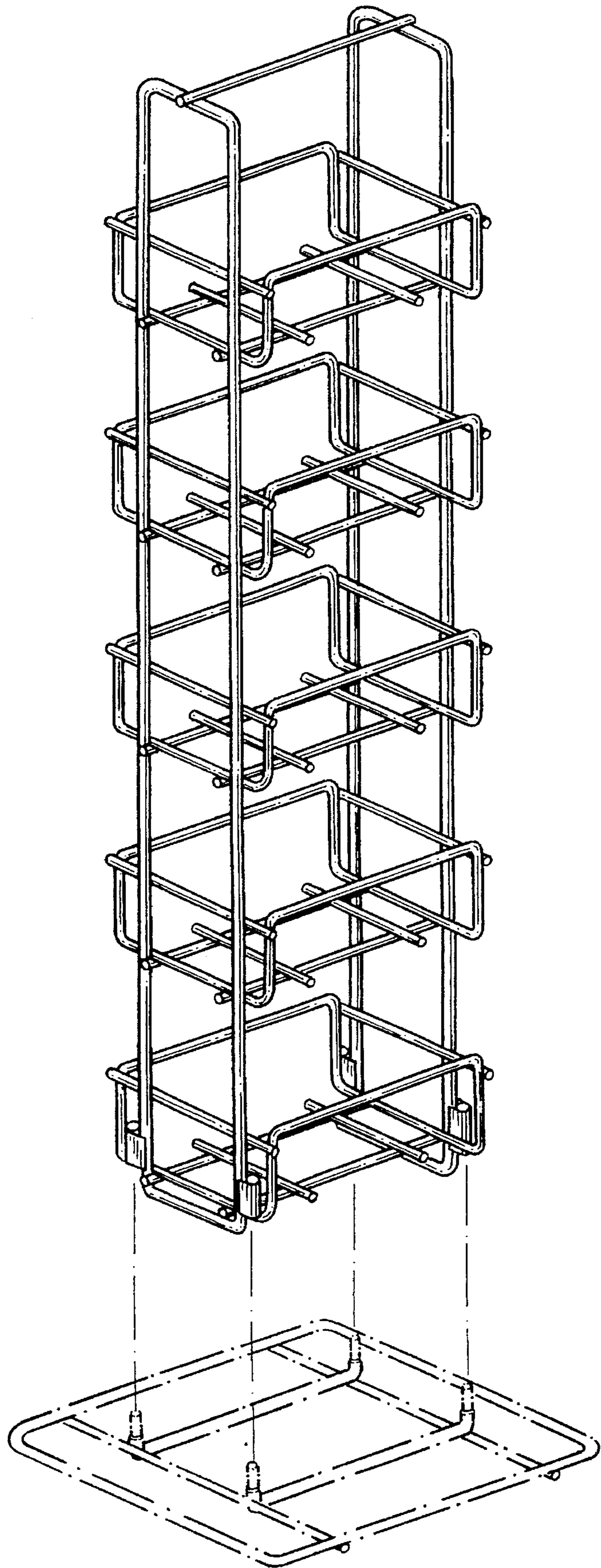
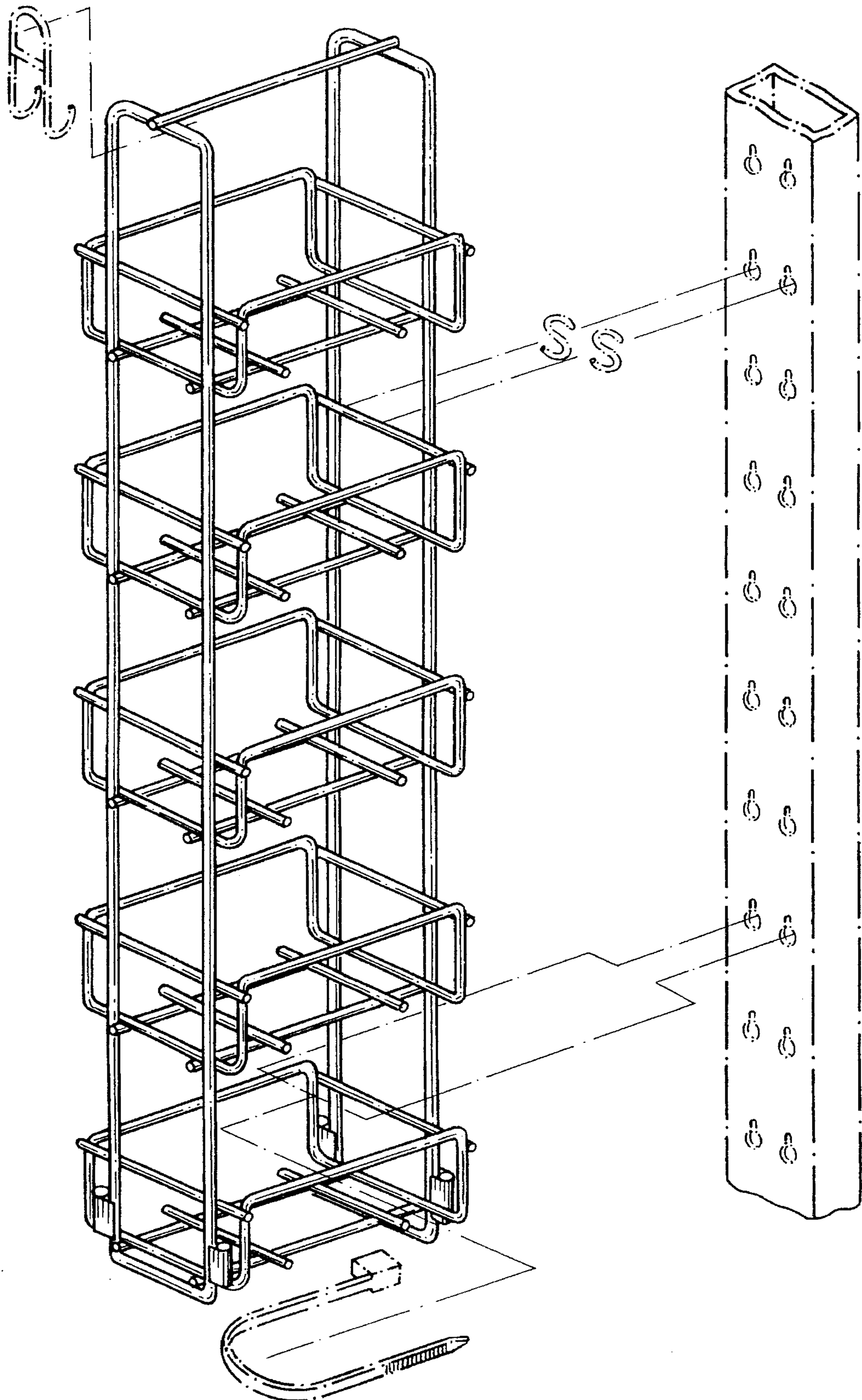
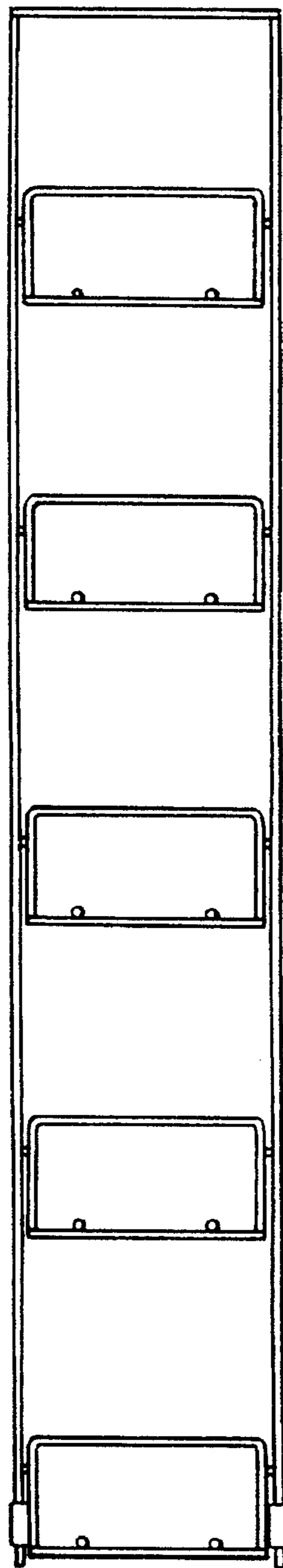


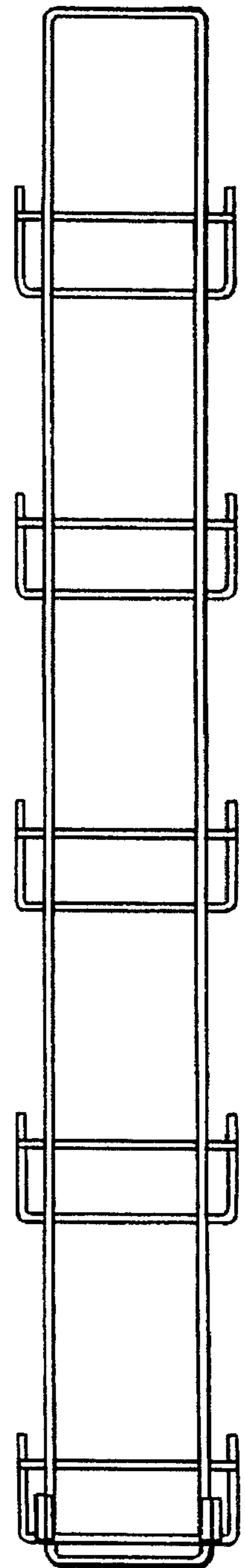
FIG. 2



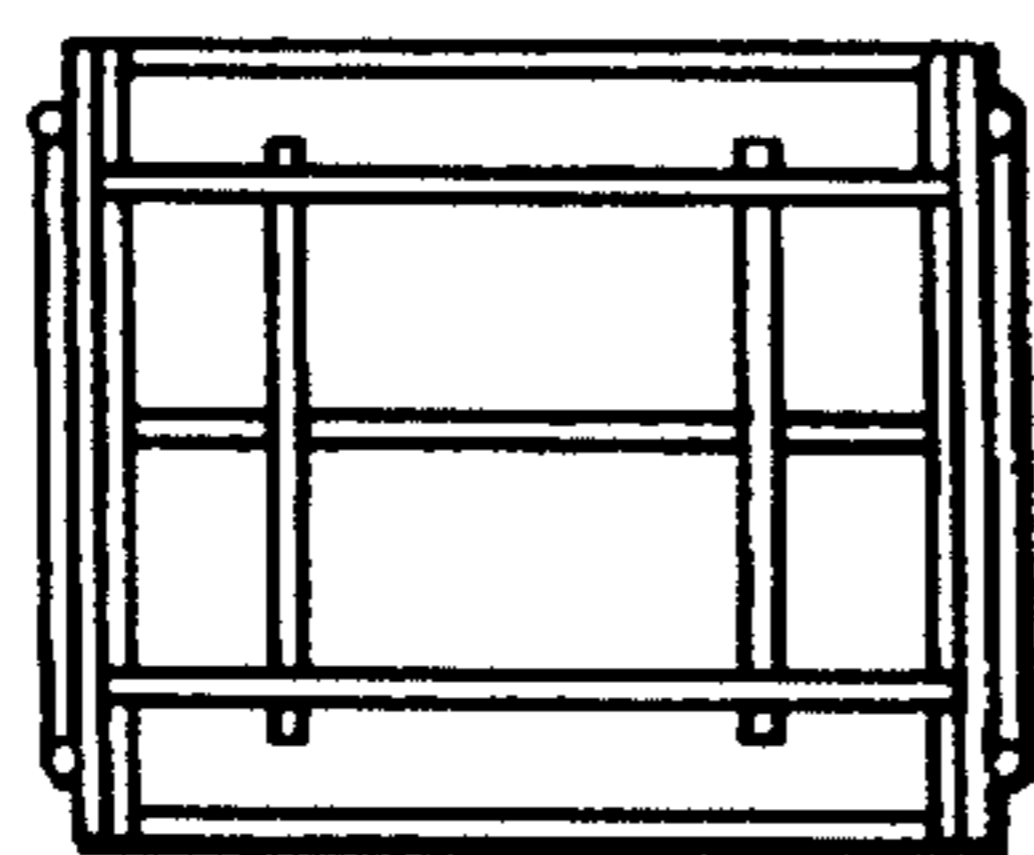
*FIG. 3*



*FIG. 4*



*FIG. 5*



*FIG. 6*

