



US00D369480S

United States Patent [19]

[11] **Patent Number:** **Des. 369,480**

Natuzzi et al.

[45] **Date of Patent:** ****May 7, 1996**

[54] **SEAT**

[75] Inventors: **Pasquale Natuzzi; Raffaella Lucarelli,**
both of Santeramo In Colle, Italy

[73] Assignee: **Industrie Natuzzi, SPA,** Bari, Italy

[**] Term: **14 Years**

[21] Appl. No.: **25,347**

[22] Filed: **Jun. 30, 1994**

[52] U.S. Cl. **D6/381;** D6/334

[58] Field of Search D6/334, 335, 336,
D6/364, 371, 373, 381, 500, 501, 502;
297/232, 445, 446

[56] **References Cited**

U.S. PATENT DOCUMENTS

D. 253,078	10/1979	Busnelli	D6/334
D. 261,331	10/1981	Benz	D6/334
D. 263,658	4/1982	Saporiti	D6/334
D. 270,404	9/1983	Saporiti	D6/381
D. 284,145	6/1986	Staats et al.	D6/381
D. 293,283	12/1987	Formenti	D6/381

OTHER PUBLICATIONS

Interiors, Jan. 1978, p. 56, B&B America chair, second down on left.

Domos, Jan. 1982, p. 5, sofa at top.

Waynline, Jul. 1988, 602 sofa, chair, and love seat shown. Natuzzi Model Venezia, Apr. 1986 at International Home Furnishings Market in High Point, North Carolina.

Natuzzi Model 185, Apr. 1987 at International Home Furnishings Market in High Point, North Carolina.

Natuzzi Model 410, Oct. 1987 at International Home Furnishings Market in High Point, North Carolina.

Natuzzi Model 412, Oct. 1987 at International Home Furnishings Market in High Point, North Carolina.

Natuzzi Model 419, Oct. 1987 at International Home Furnishings in High Point, North Carolina.

Natuzzi Model 812, Oct. 1990 at International Home Fur-

nishings Market in High Point, North Carolina.

Natuzzi Model 813, Oct. 1990 at International Home Furnishings in High Point, North Carolina.

Natuzzi Model 828, Apr. 1991 at International Home Furnishings Market in High Point, North Carolina.

Natuzzi Model 830, Apr. 1991 at International Home Furnishings Market in High Point, North Carolina.

Natuzzi Model 854, Apr. 1991 at International Home Furnishings Market in High Point, North Carolina.

Natuzzi Model 1016, Mar. 1993 at International Home Furnishings Market in High Point, North Carolina.

Natuzzi Model 1020, Mar. 1993 at International Home Furnishings Market in High Point, North Carolina.

Natuzzi Model 1089, Sep. 1993 at International Home Furnishings Market in High Point, North Carolina.

Primary Examiner—Gary D. Watson

Attorney, Agent, or Firm—Bell, Seltzer, Park & Gibson

[57] **CLAIM**

The ornamental design for a seat, as shown and described.

DESCRIPTION

FIG. 1 is a right side perspective view of a seat showing our new design in the form of a sofa;

FIG. 2 is a left side perspective view;

FIG. 3 is a rear perspective view thereof;

FIG. 4 is a right side perspective view of a seat showing our new design in the form of a love seat;

FIG. 5 is a left side perspective view thereof;

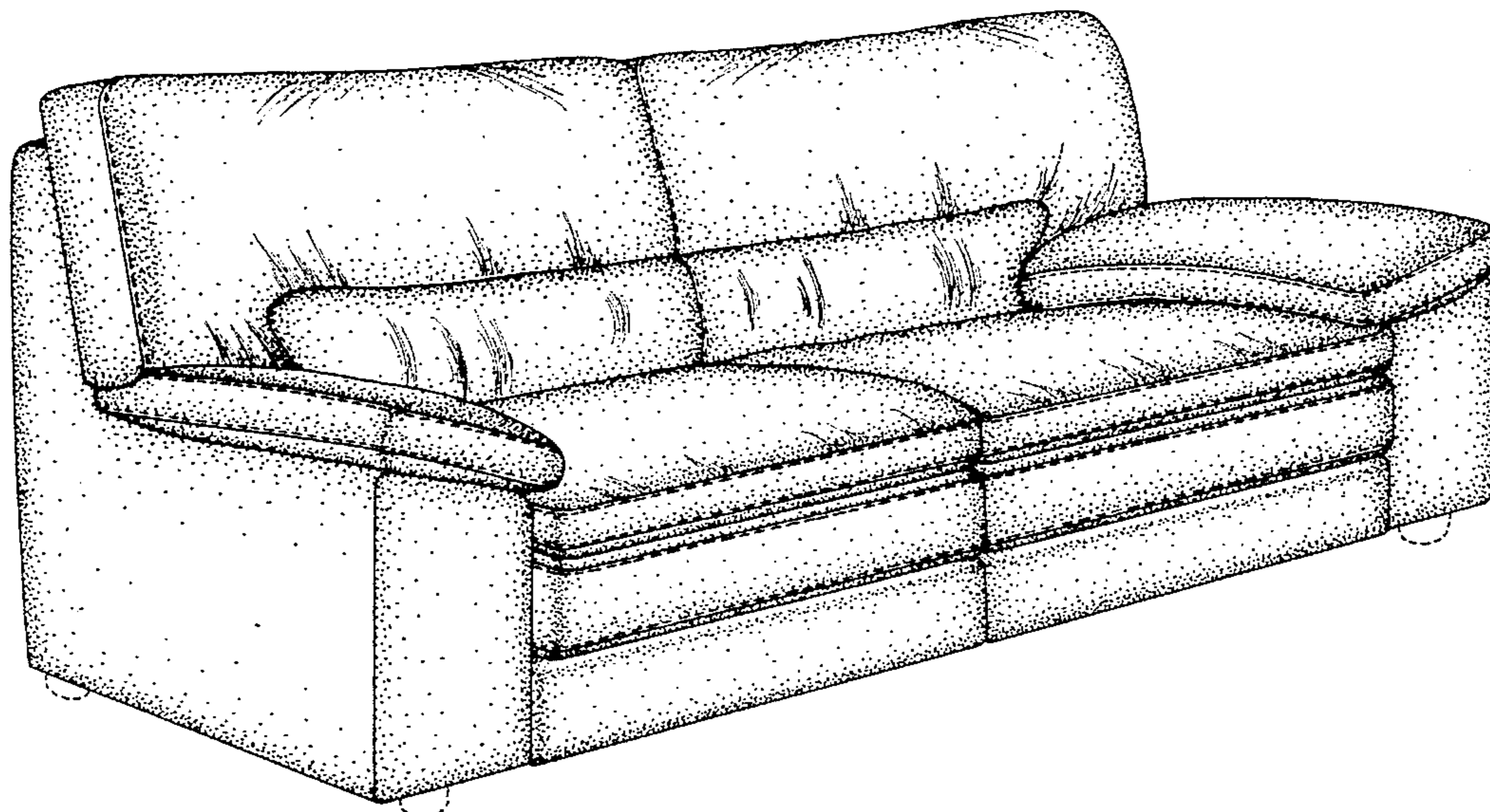
FIG. 6 is a right side perspective view of a seat showing our new design in the form of a chair; and,

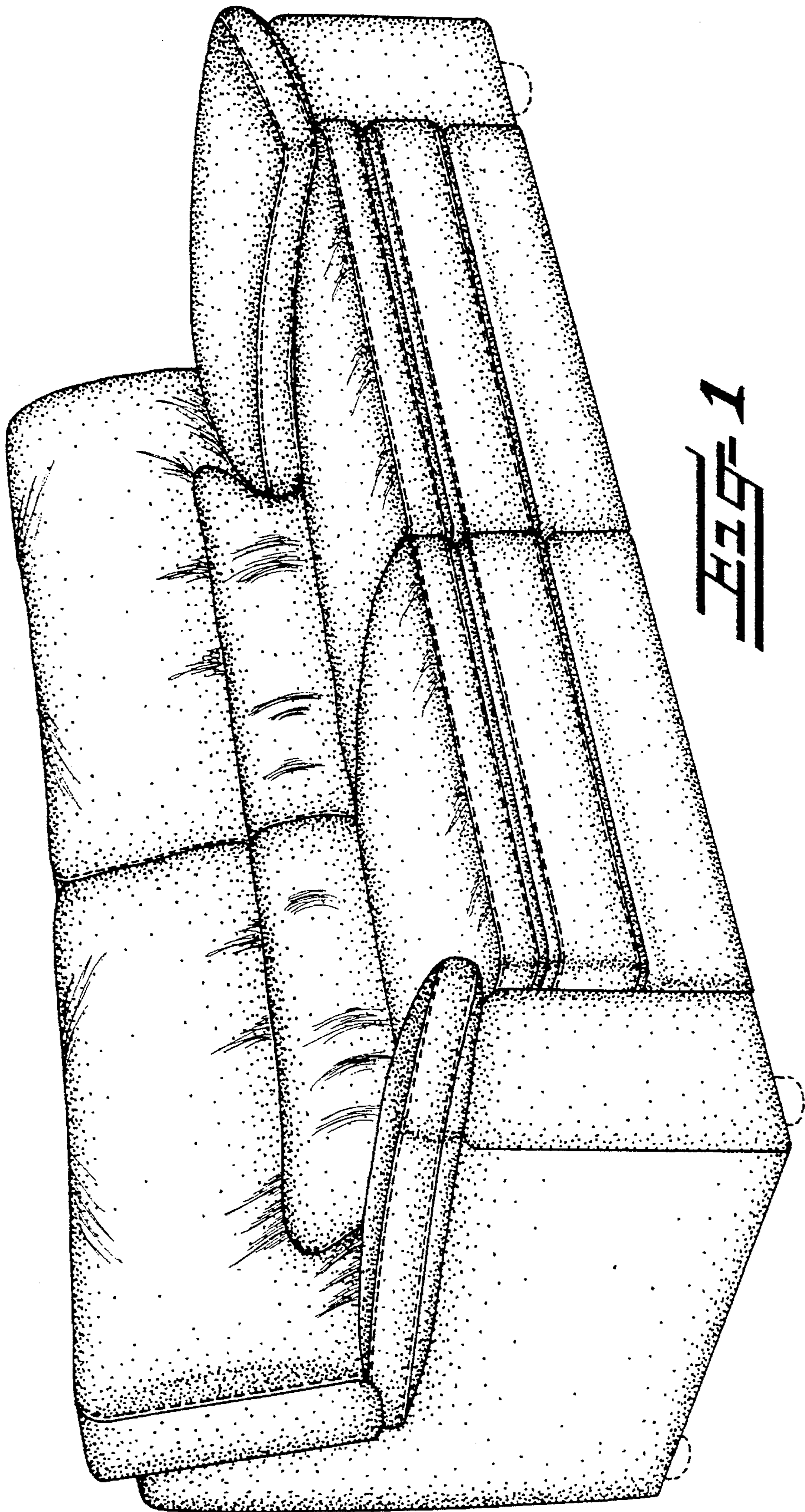
FIG. 7 is a left side perspective view thereof.

The only difference for the rear view of the love seat and the chair from the sofa as shown is a matter of length therefor.

The broken lines shown on the cushion members represent stitching. The broken line showing of leg members are for illustrative purposes only and form no part of the claimed design.

1 Claim, 5 Drawing Sheets





1

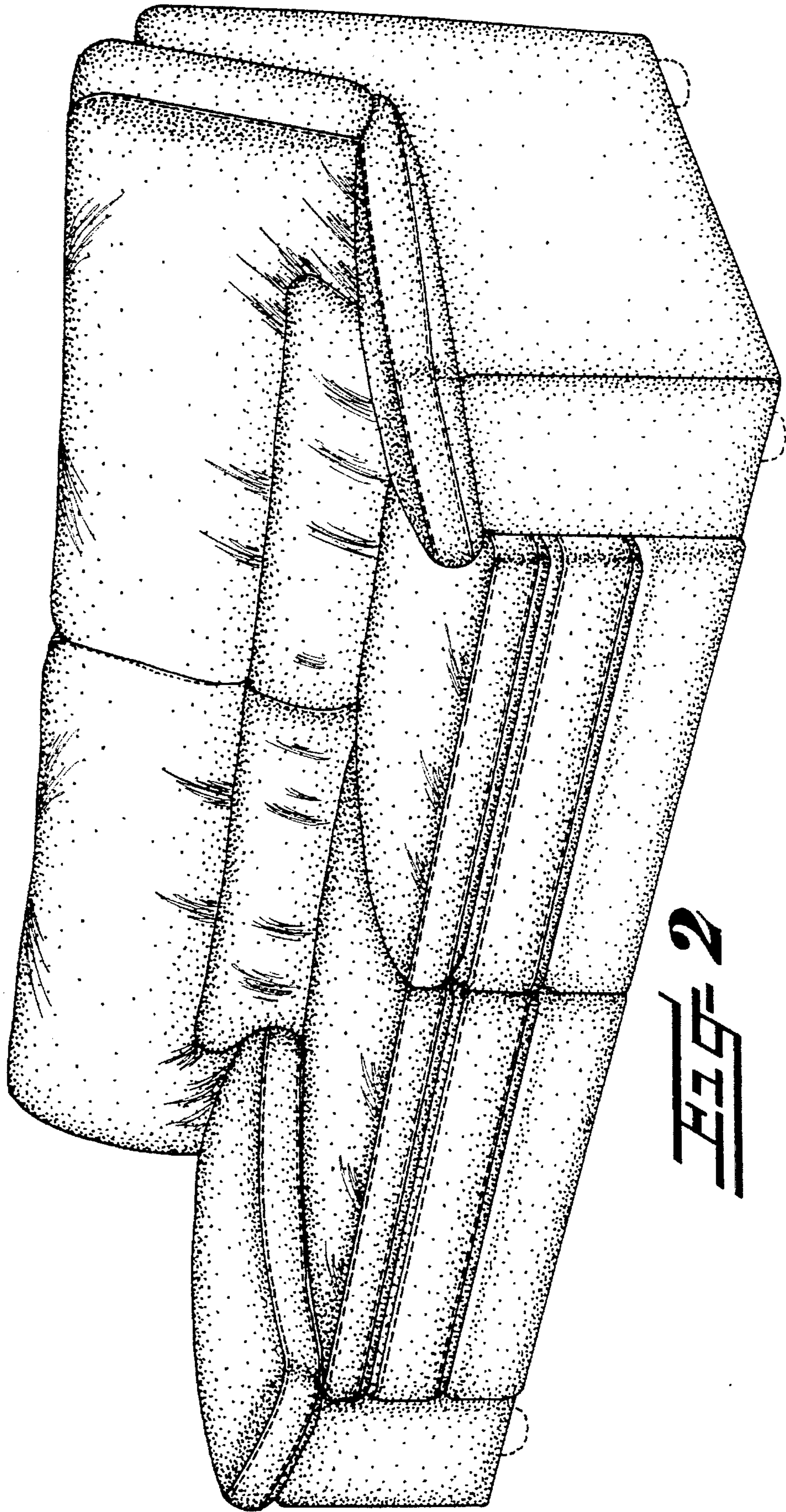


FIG. 2

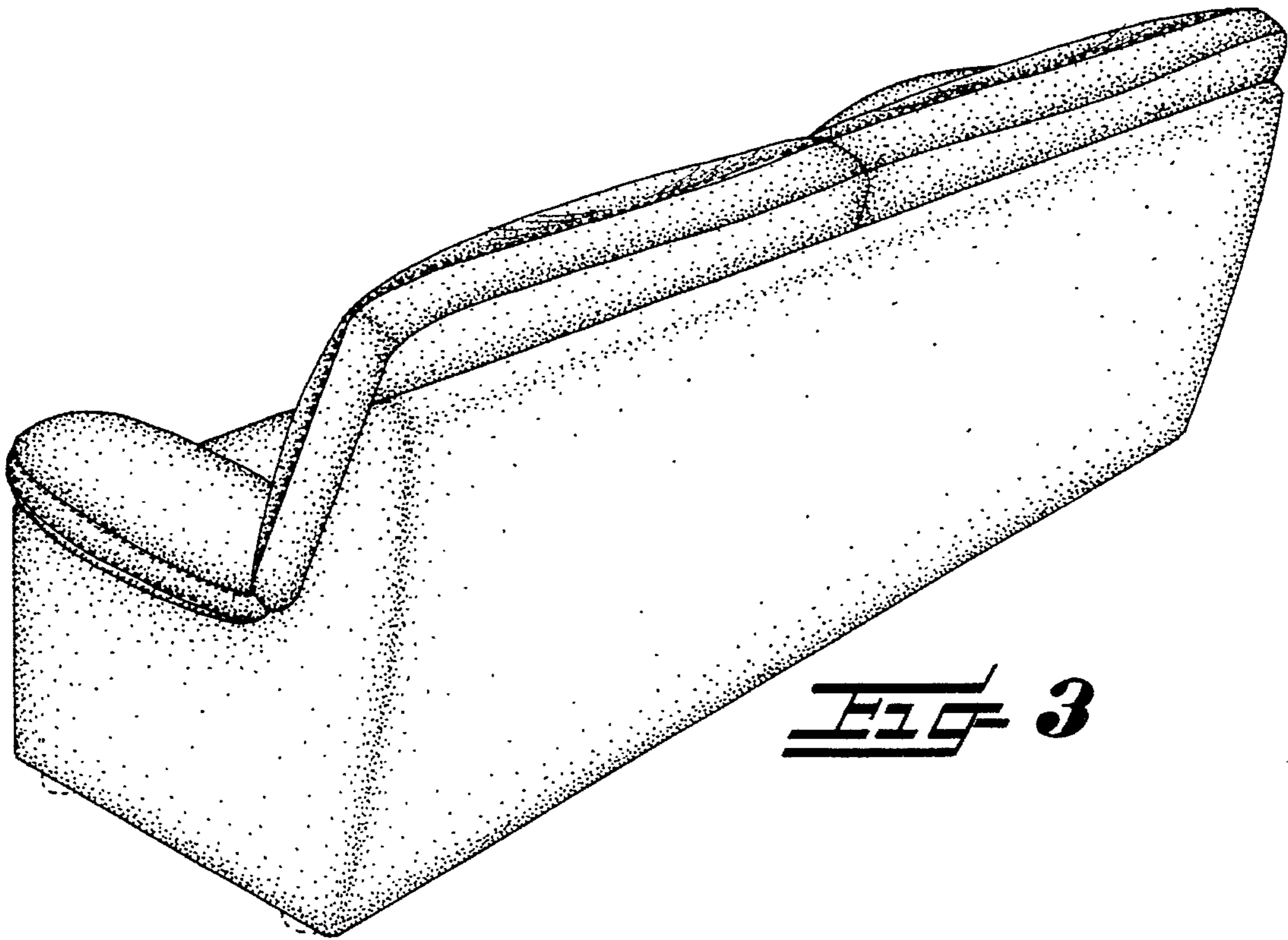


FIG. 3

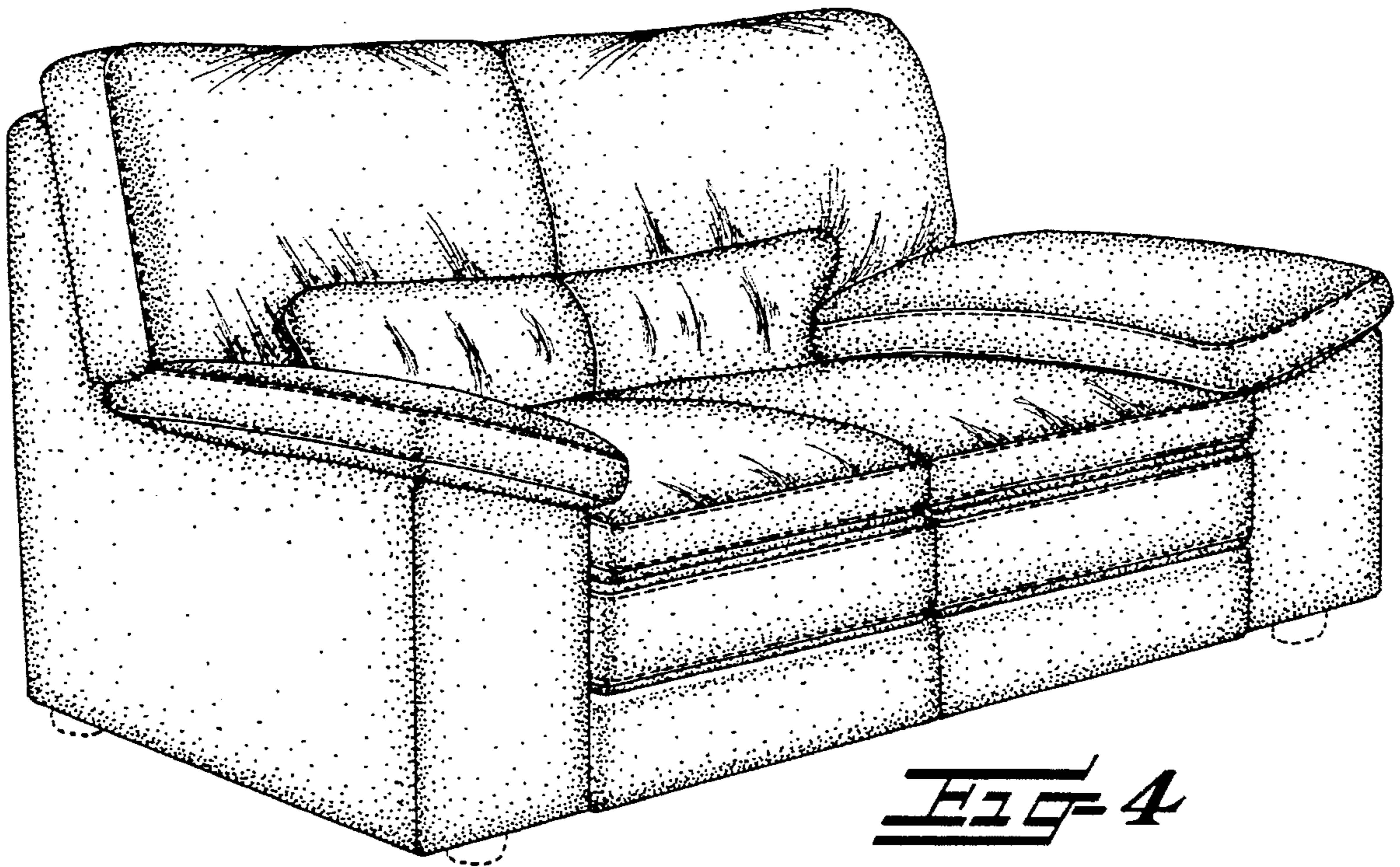
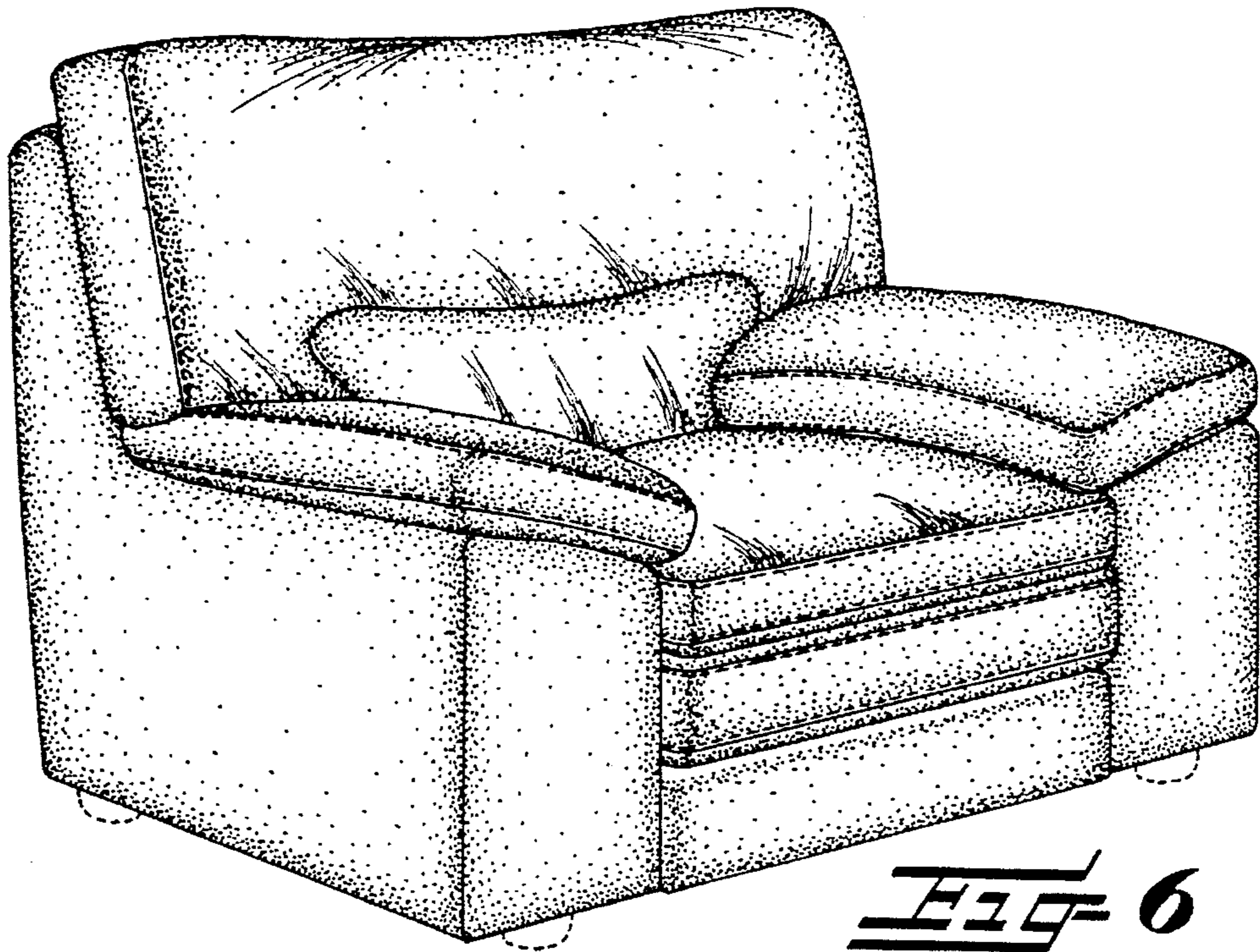
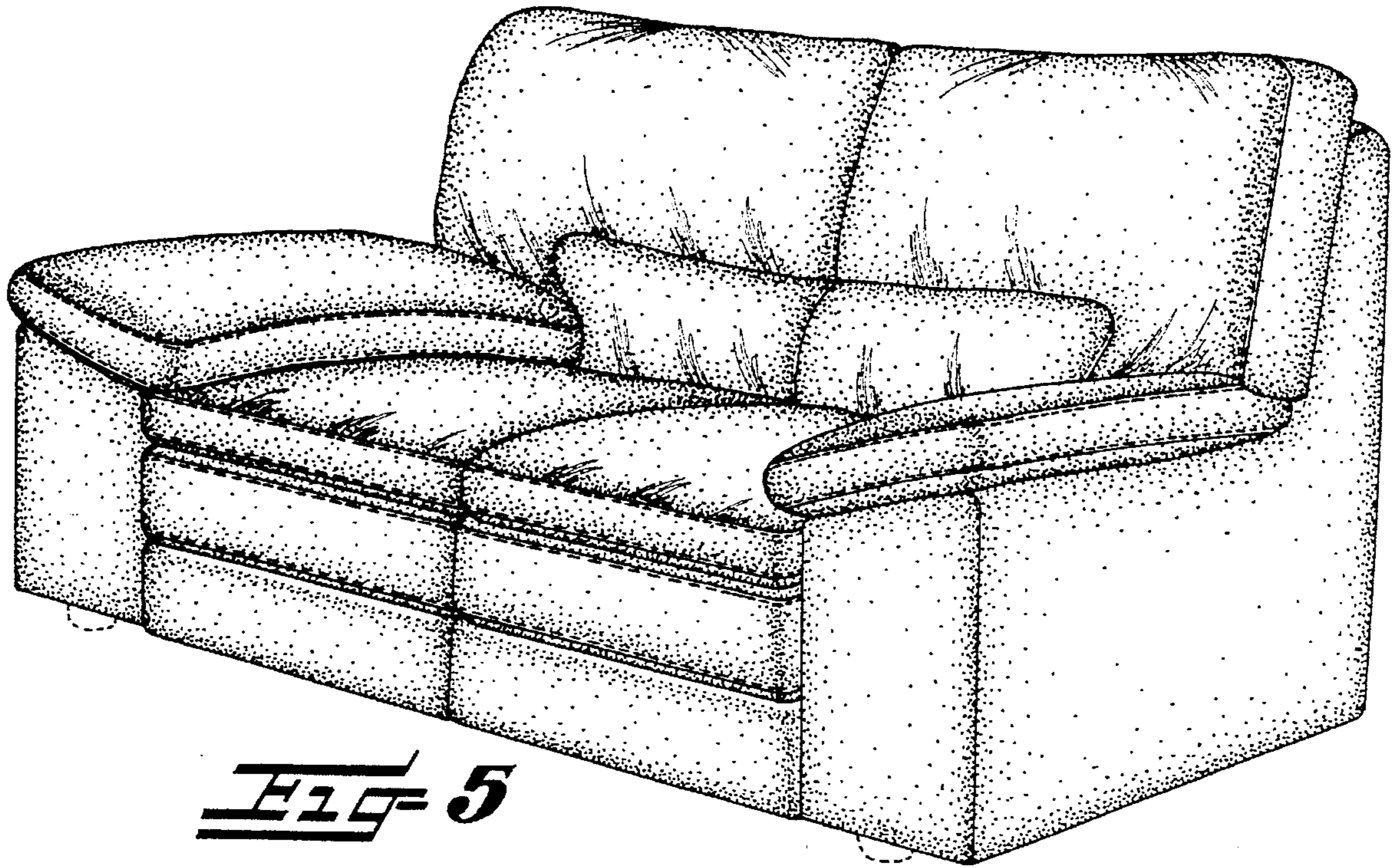


FIG. 4



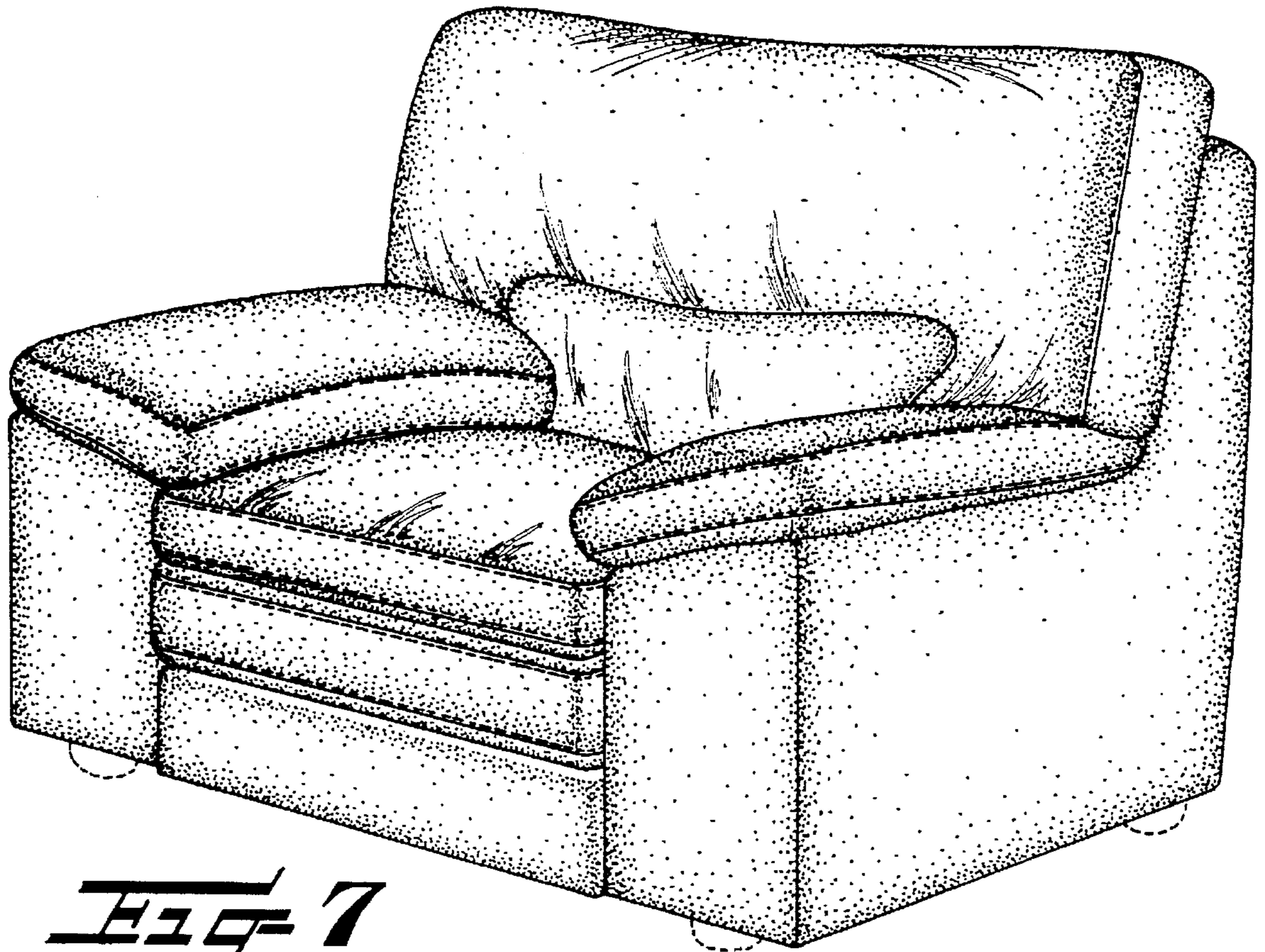


Fig. 7

UNITED STATES PATENT AND TRADEMARK OFFICE
CERTIFICATE OF CORRECTION

PATENT NO. : Des. 369,480
DATED : May 7, 1996
INVENTOR(S) : Natuzzi et al.

It is certified that error appears in the above-identified patent and that said Letters Patent is hereby corrected as shown below:

Page 1, column 2, line 32, after "matter of length"
delete "therefor".

Signed and Sealed this
Sixteenth Day of July, 1996



BRUCE LEHMAN

Commissioner of Patents and Trademarks

Attest:

Attesting Officer