



US00D369479S

United States Patent [19]

Natuzzi et al.

[11] Patent Number: **Des. 369,479**

[45] Date of Patent: ****May 7, 1996**

[54] SEAT

[75] Inventors: **Pasquale Natuzzi**, Santeramo In Colle;
Domenico Abbruzzese, Gioia del Colle,
both of Italy

[73] Assignee: **Industrie Natuzzi, Spa**, Bari, Italy

[**] Term: **14 Years**

[21] Appl. No.: **21,247**

[22] Filed: **Apr. 13, 1994**

[52] U.S. Cl. **D6/381**; D6/335

[58] Field of Search D6/334, 335, 336,
D6/364, 371, 373, 381, 500, 501, 502;
297/232

[56] References Cited

U.S. PATENT DOCUMENTS

D. 284,046 6/1986 Staats et al. D6/335

OTHER PUBLICATIONS

- Blackwelders, ©1979, p. 73, sofa "C" at mid-page left.
- Abitare Identikit, pp. 4-5, sofa at right (p. 5).
- Woodward & Lothrop, Fall 1985 catalog, p. 18, sofa in background of bottom frame.
- The Rowe Show Place Brochure, sofa third down from top on right.
- Lazarus, Aug. 2, 1992, p. 12, sofa at bottom.
- Natuzzi Model No. 452 Oct. 1988 at International Home Furnishings Market in High Point, NC.
- Natuzzi Model No. 600/601 Oct. 1987 at International Home Furnishings Market in High Point, NC.
- Natuzzi Model No. 604/605 Oct. 1987 at International Home Furnishings Market in High Point, NC.
- Natuzzi Model No. 616/617 Oct. 1988 at International Home Furnishings Market in High Point, NC.
- Natuzzi Model No. 619 Oct. 1988 at International Home Furnishings Market in High Point, NC.
- Natuzzi Model No. 622/623 Oct. 1988 at International Home Furnishings Market in High Point, NC.
- Natuzzi Model No. 731 Oct. 1989 at International Home Furnishings Market in High Point, NC.

- Natuzzi Model No. 745 Apr. 1990 at International Home Furnishings Market in High Point, NC.
- Natuzzi Model No. 764 Apr. 1990 at International Home Furnishings Market in High Point, NC.
- Natuzzi Model No. 768 Apr. 1990 at International Home Furnishings Market in High Point, NC.
- Natuzzi Model No. 821 Apr. 1991 at International Home Furnishings Market in High Point, NC.
- Natuzzi Model No. 877 Oct. 1991 at International Home Furnishings Market in High Point, NC.
- Natuzzi Model No. 907 Apr. 1992 at International Home Furnishings Market in High Point, NC.
- Natuzzi Model No. 971 Oct. 1992 at International Home Furnishings Market in High Point, NC.
- Natuzzi Model No. 972 Oct. 1992 at International Home Furnishings Market in High Point, NC.
- Natuzzi Model No. 1037 Apr. 1993 at International Home Furnishings Market in High Point, NC.
- Natuzzi Model No. 1039 Apr. 1993 at International Home Furnishings Market in High Point, NC.

Primary Examiner—Gary D. Watson
Attorney, Agent, or Firm—Bell, Seltzer, Park & Gibson

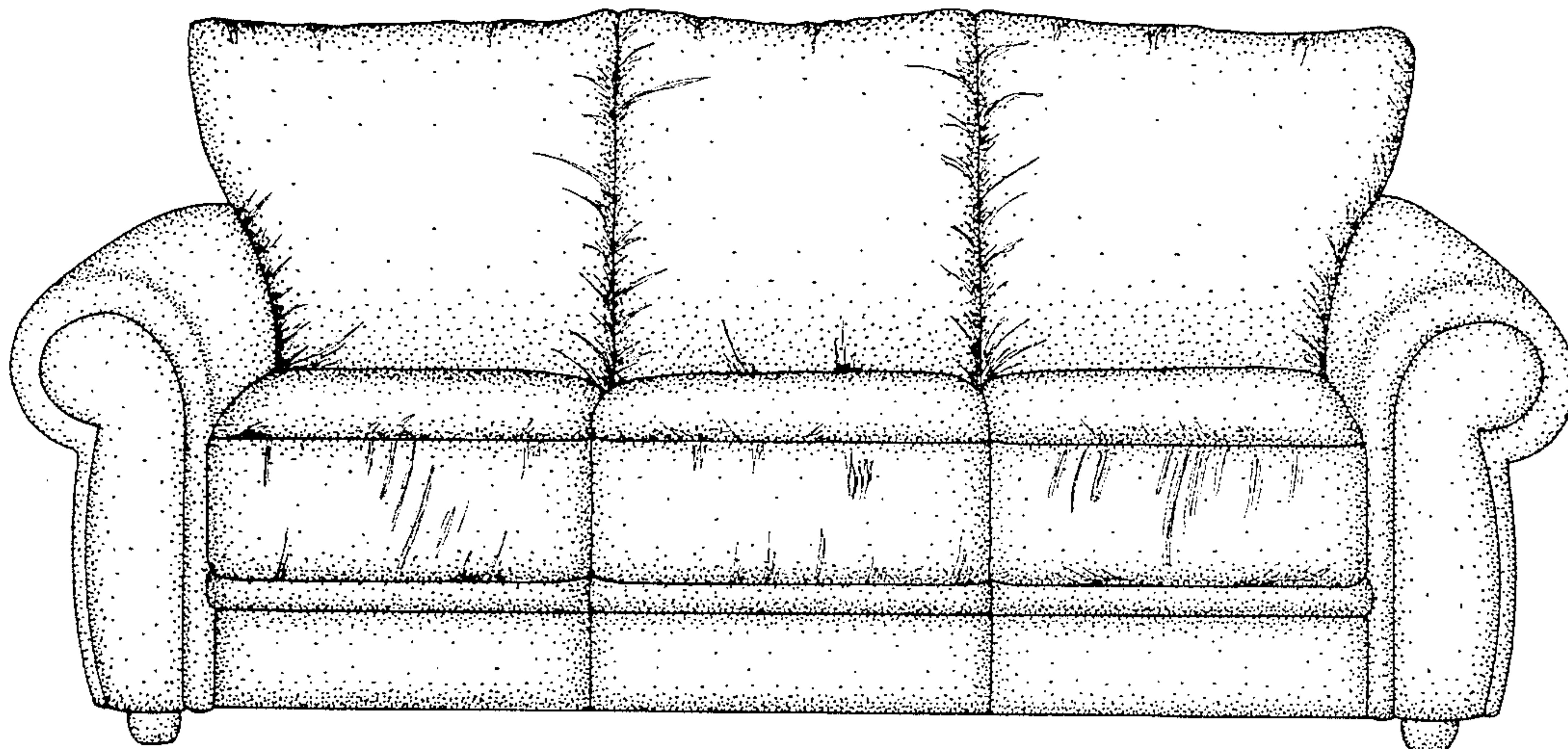
[57] CLAIM

The ornamental design for a seat, as shown and described.

DESCRIPTION

- FIG. 1 is a perspective view of a seat showing our new design in the form of a sofa thereof;
- FIG. 2 is a front elevational view;
- FIG. 3 is a top plan view;
- FIG. 4 is a right side elevational view, and the left side elevational view being a mirror image thereof;
- FIG. 5 is a rear perspective view of FIG. 1;
- FIG. 6 is a perspective view of a seat of furniture showing our new design in the form of a sectional thereof;
- FIG. 7 is a top plan view of FIG. 6;
- FIG. 8 is a left side elevational view of FIG. 6;
- FIG. 9 is a right side elevational view of FIG. 6;
- FIG. 10 is a left rear perspective view of FIG. 6; and,
- FIG. 11 is a right rear perspective view of FIG. 6.

1 Claim, 6 Drawing Sheets



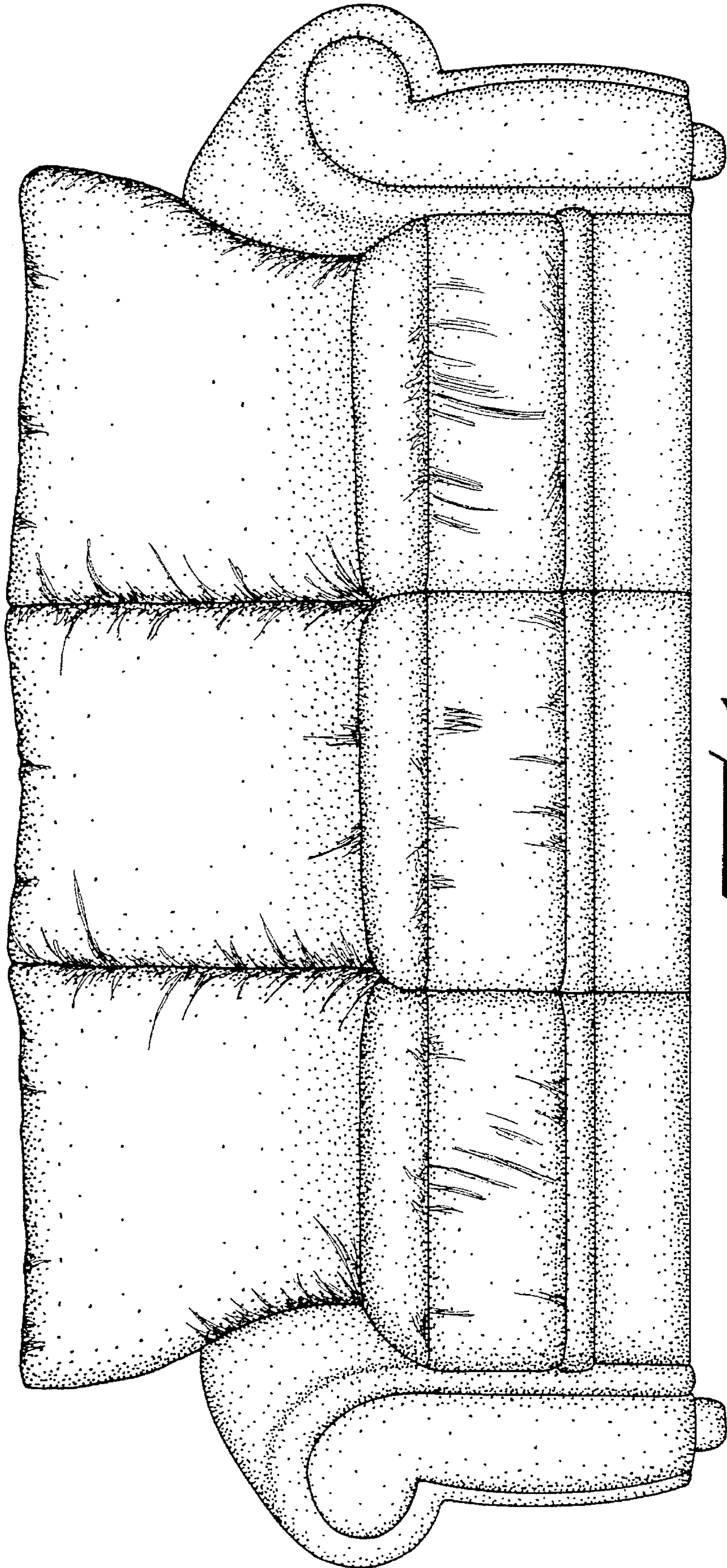


FIG. 1

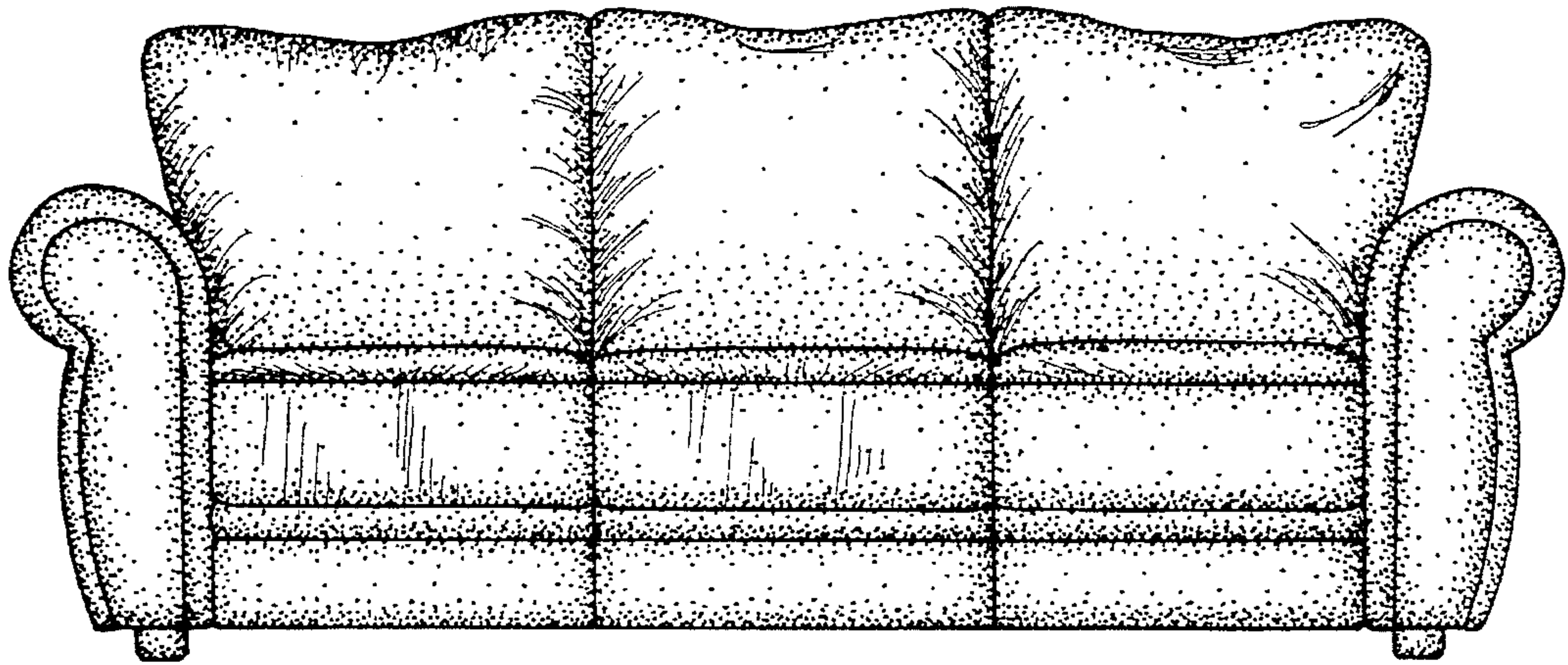


FIG- 2

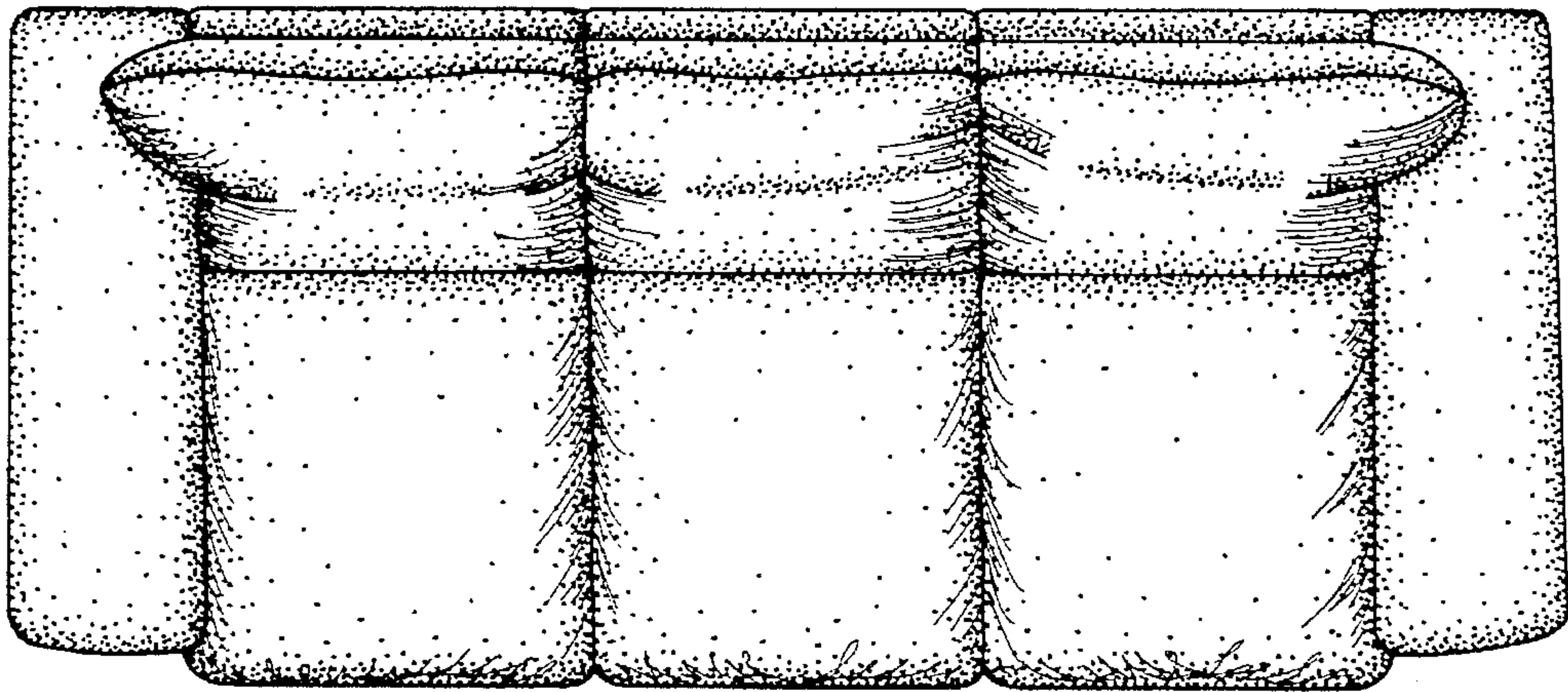


FIG- 3

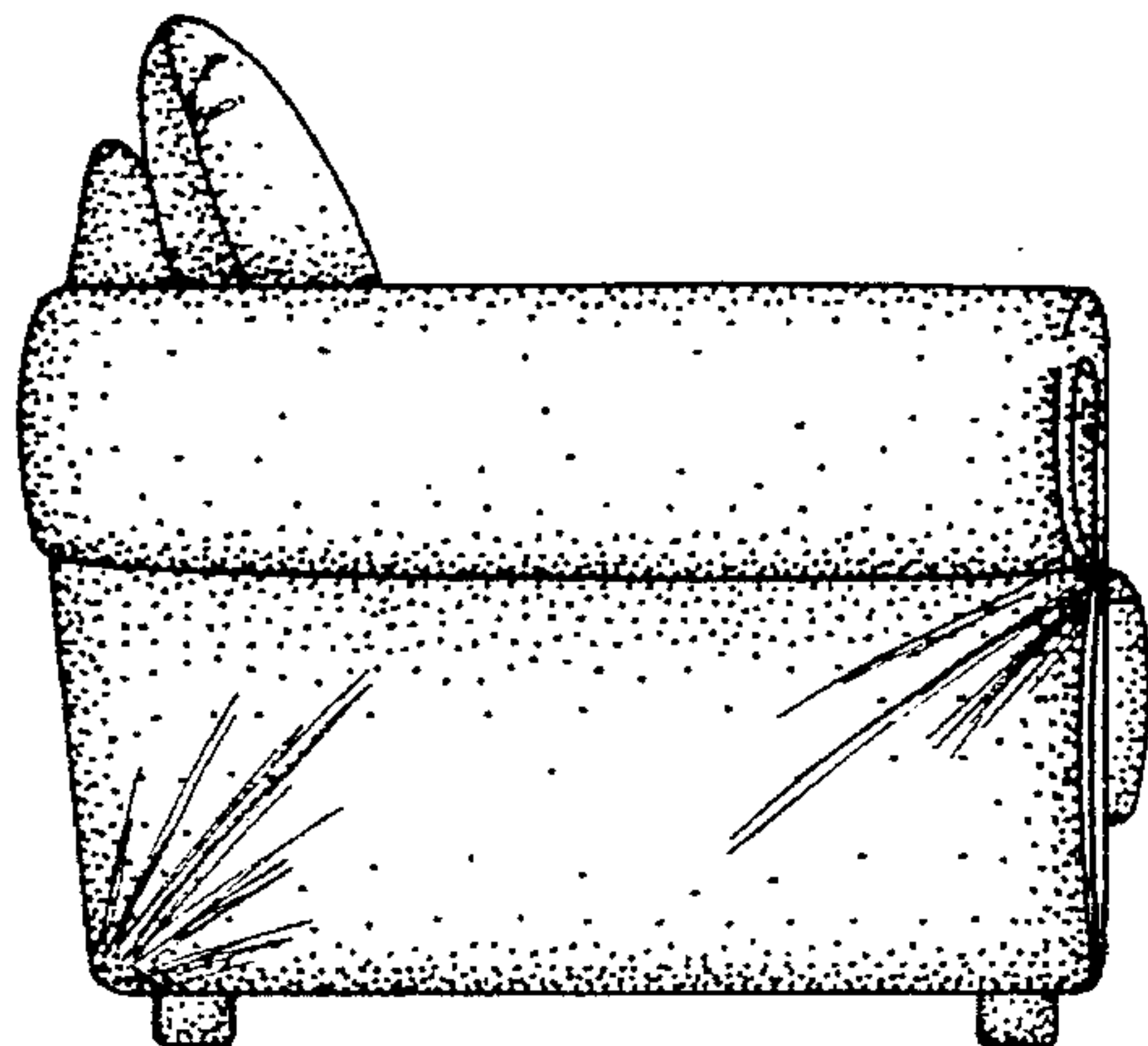


FIG- 4

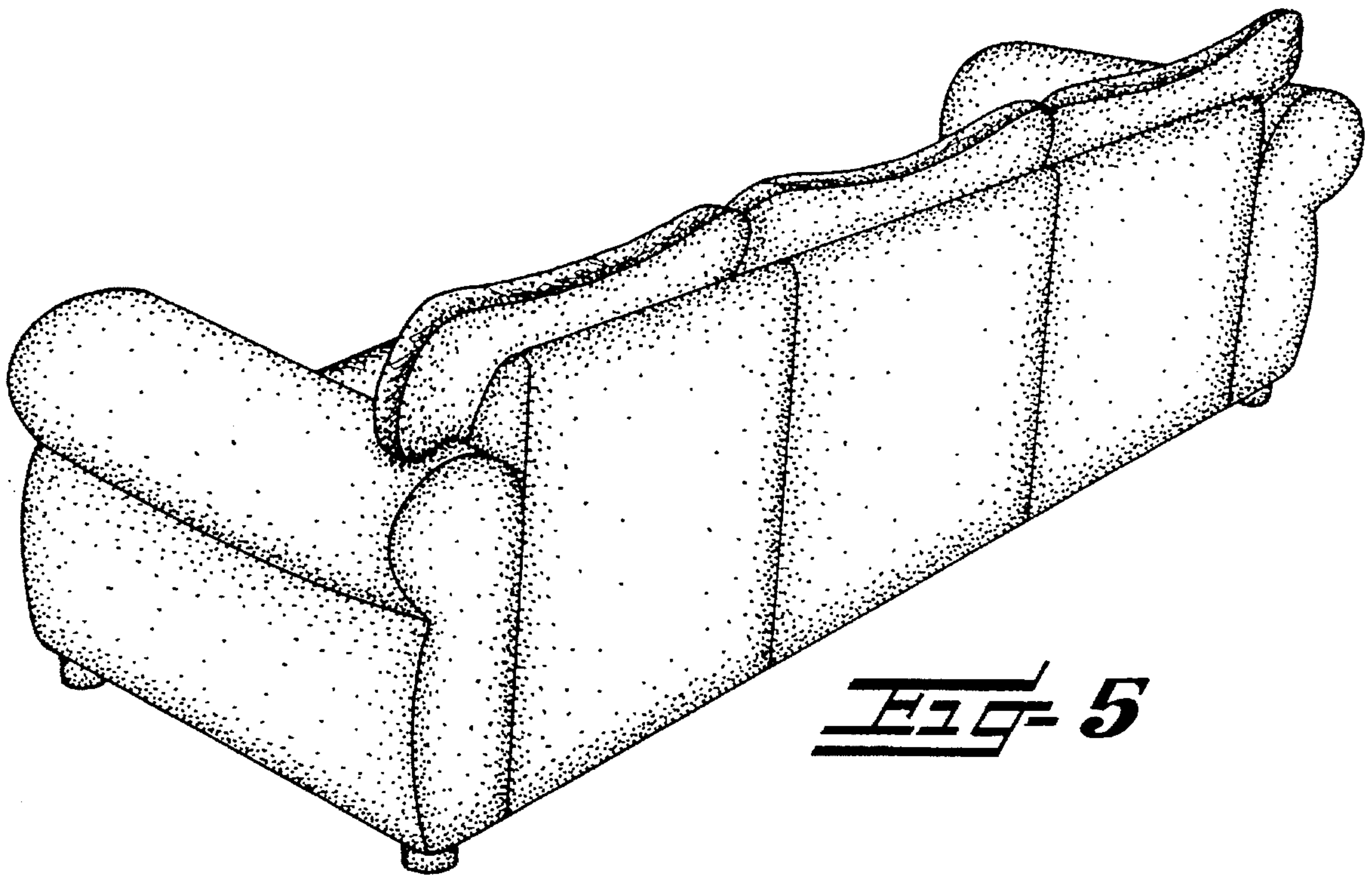
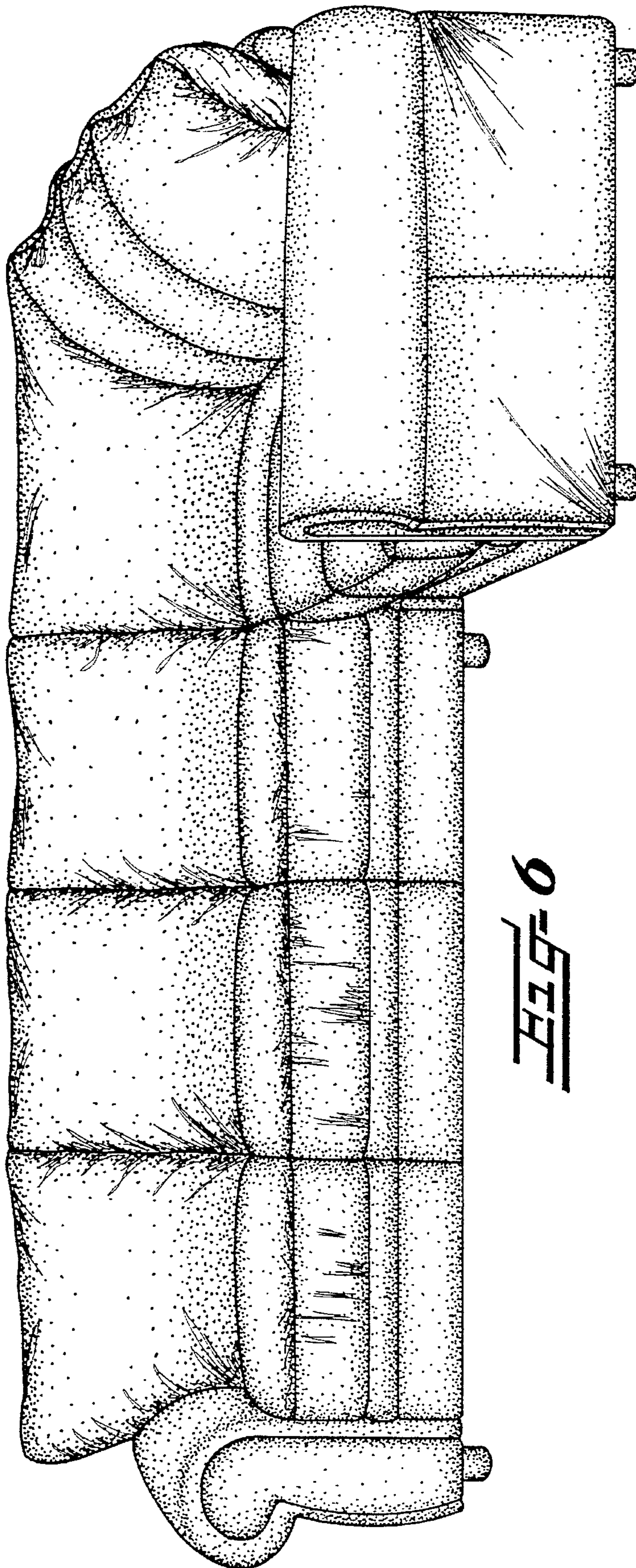


FIG-5



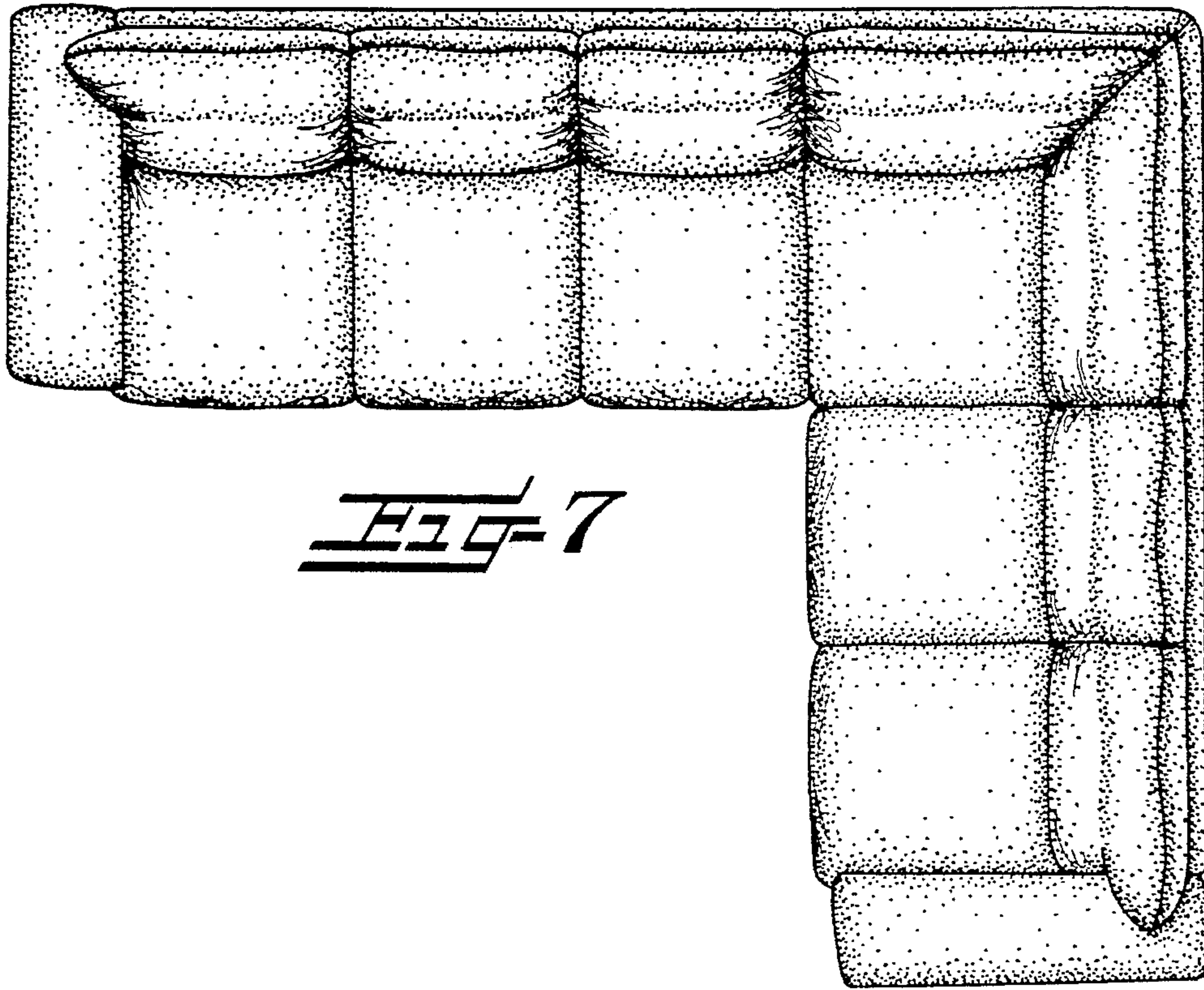


FIG-7

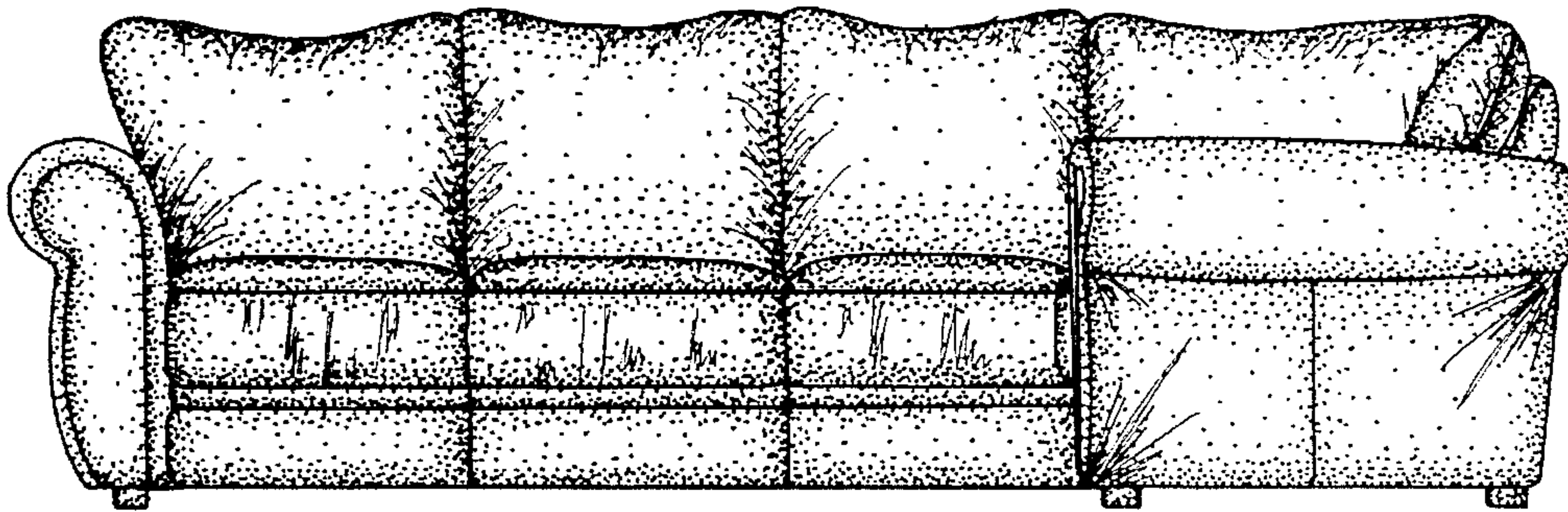


FIG-8

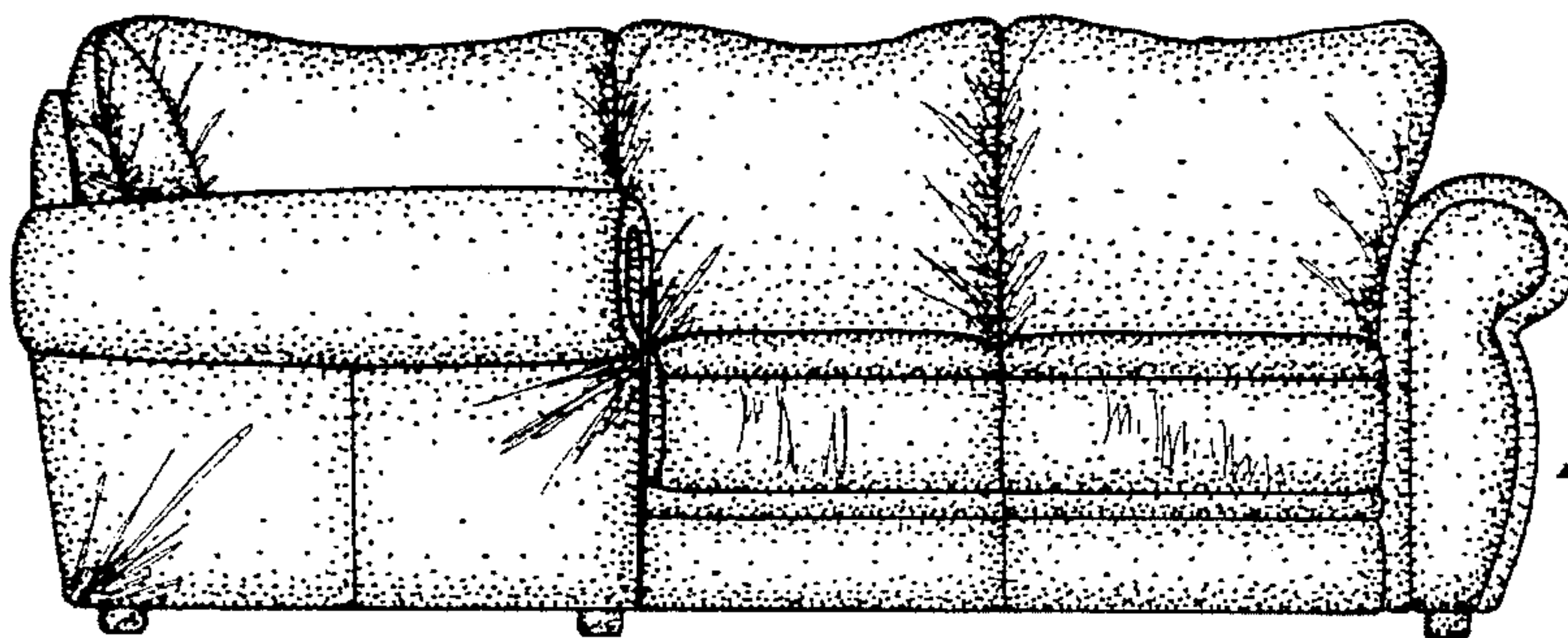


FIG-9

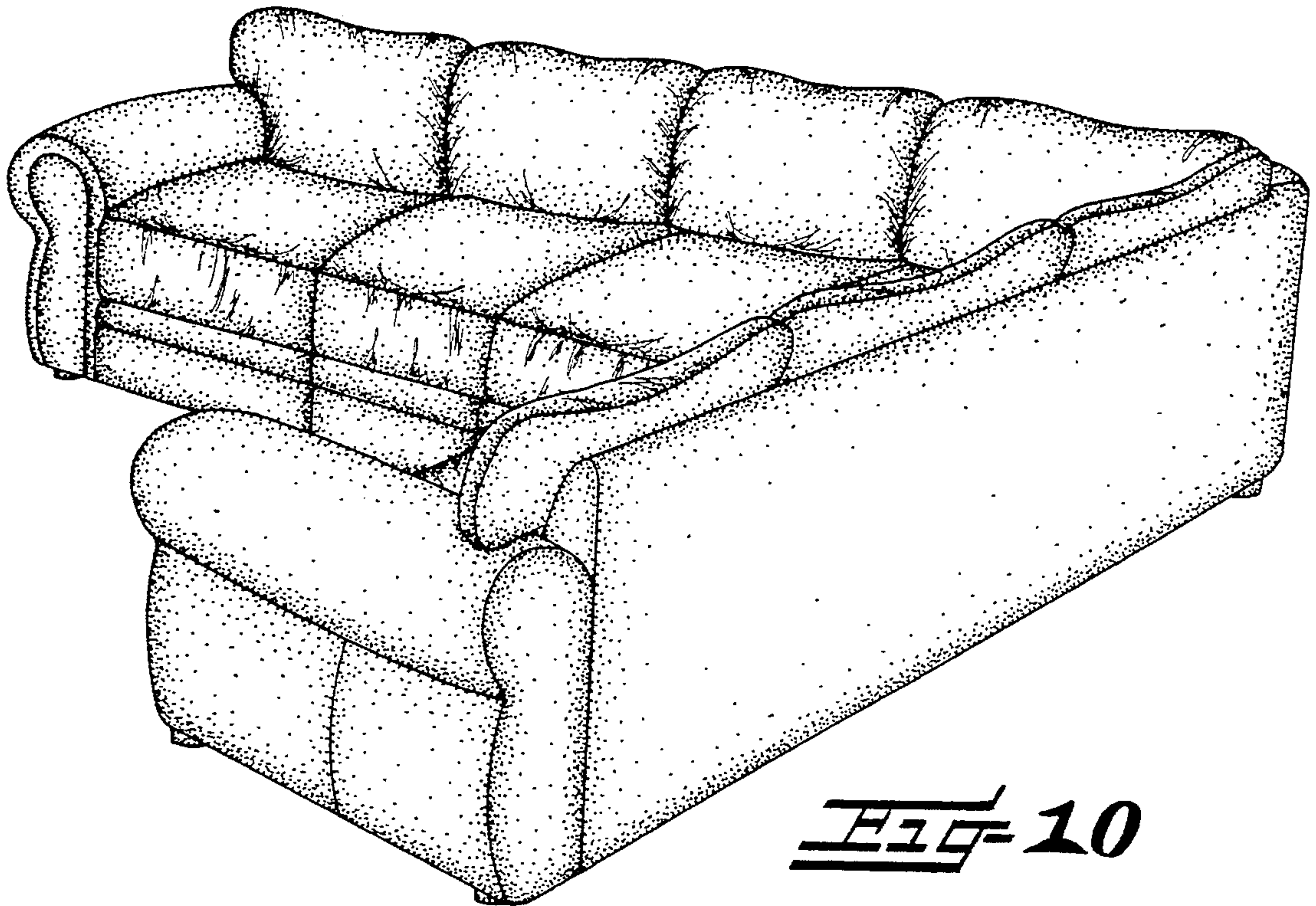


FIG. 10

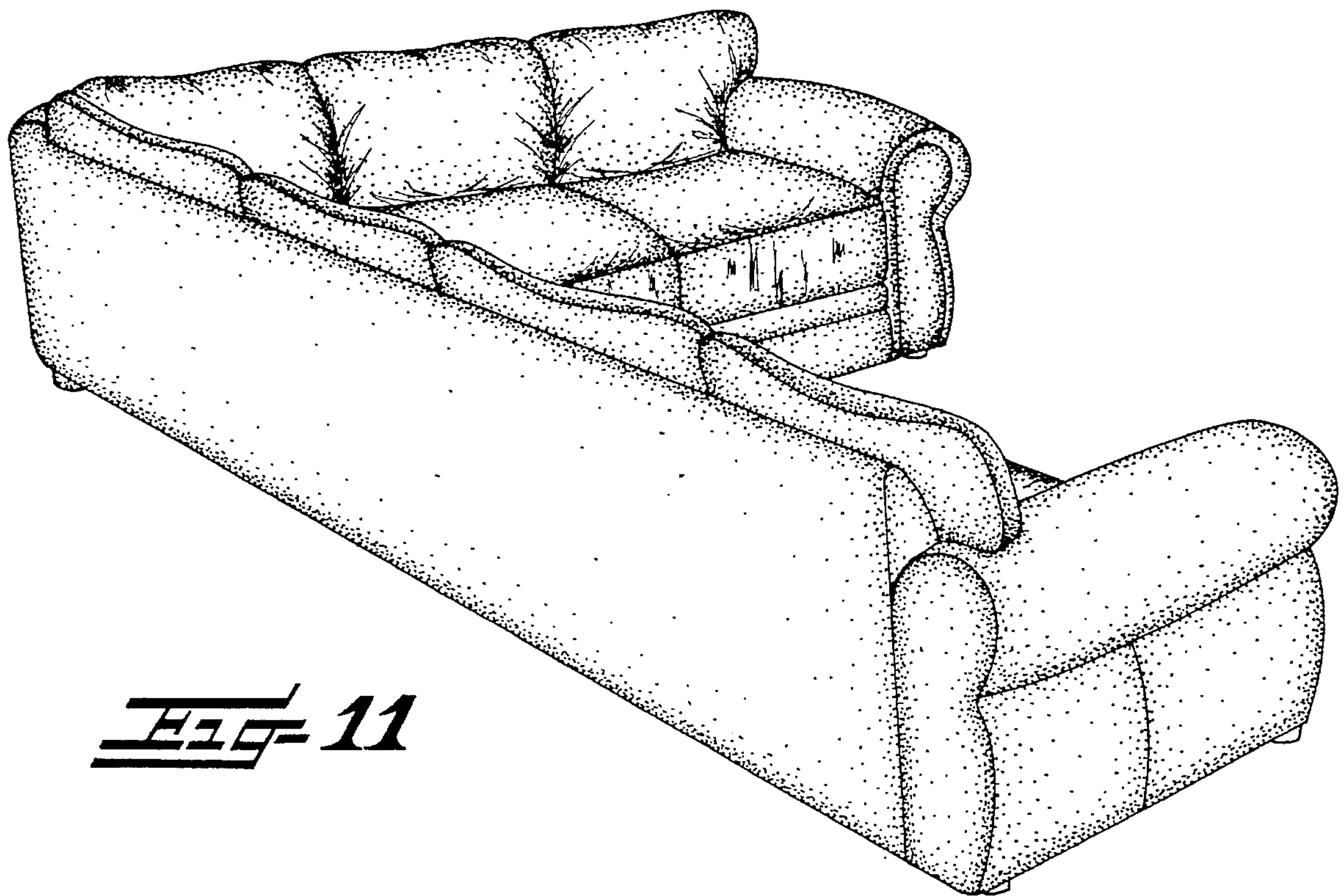


FIG. 11