



US00D369472S

United States Patent [19]

Laubach, III et al.

[11] Patent Number: **Des. 369,472**

[45] Date of Patent: ****May 7, 1996**

[54] **COMBINATION SCRATCH BRUSH HANDLE AND SCRAPER**

[75] Inventors: **Fred H. Laubach, III**, Wooster;
Thomas G. Purdy, Orrville; **Bruce Bochnak**, Wooster; **Richard K. Bukovitz**, Orrville; **William P. Camp, Jr.**, Millersburg, all of Ohio

[73] Assignee: **The Wooster Brush Company**, Wooster, Ohio

[**] Term: **14 Years**

[21] Appl. No.: **10,213**

[22] Filed: **Jul. 1, 1993**

[52] U.S. Cl. **D4/138**; D4/118; D4/129; D32/42

[58] **Field of Search** D4/116, 118, 129-130, D4/132-134, 138; D8/307, DIG. 4, DIG. 7, DIG. 8; 15/105, 111, 143.1, 159.1, 160, 186-188, 236.01, 236.02; D32/42, 46, 49

[56] **References Cited**

U.S. PATENT DOCUMENTS

D. 16,786	7/1886	Currier	D8/307
D. 167,951	10/1952	Porter	D4/134
D. 178,578	8/1956	Pelzmann	D4/118
D. 240,473	7/1976	Parker	D4/129
D. 266,458	10/1982	Gonsalves	D4/129
D. 282,604	2/1986	Whitaker	D4/118

D. 305,963	2/1990	Brinker et al.	D4/118
2,792,584	5/1957	Fryda	15/111 X
2,914,785	12/1959	Ela	15/143.1
3,199,139	8/1965	Vallis	15/114 X
4,136,418	1/1979	Griswold	15/111
4,654,921	4/1987	Dinner	15/143.1 X

FOREIGN PATENT DOCUMENTS

9399 of 1907 United Kingdom 15/143.1

Primary Examiner—A. Hugo Word
Assistant Examiner—Lavone Tabor
Attorney, Agent, or Firm—Renner, Otto, Boisselle & Sklar

[57] **CLAIM**

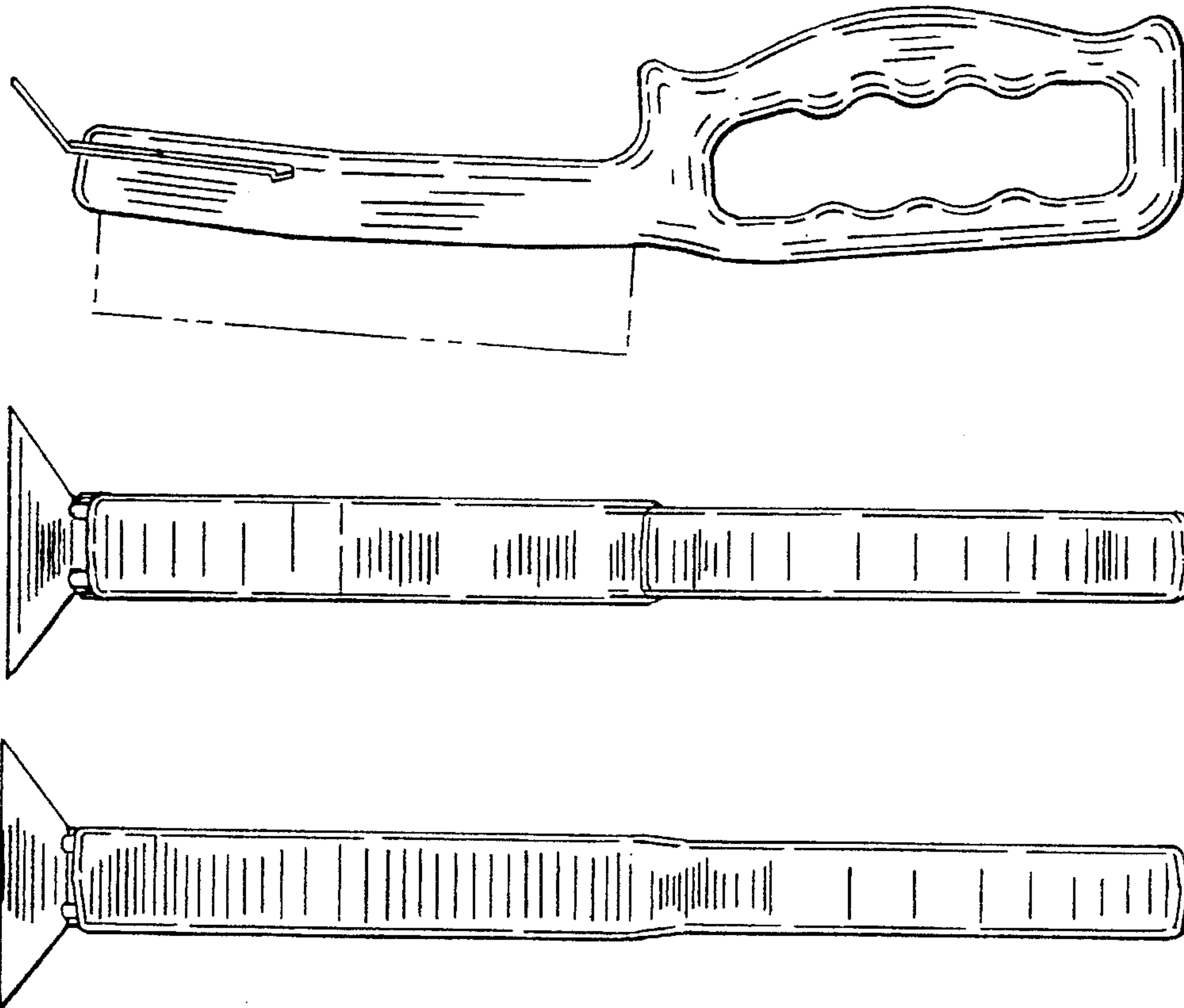
The ornamental design for a combination scratch brush handle and scraper, as shown and described.

DESCRIPTION

FIG. 1 is a side elevation view of one side of the combination scratch brush handle and scraper showing our new design, the opposite side being a mirror image;
FIG. 2 is a top plan view thereof;
FIG. 3 is a bottom plan view thereof;
FIG. 4 is an end elevation view from the left end of FIG. 1; and,
FIG. 5 is an end elevation view from the right end of FIG. 1.

The broken line showing of brush bristles in FIGS. 1 and 5 is for illustrative purposes only and forms no part of the claimed design.

1 Claim, 1 Drawing Sheet



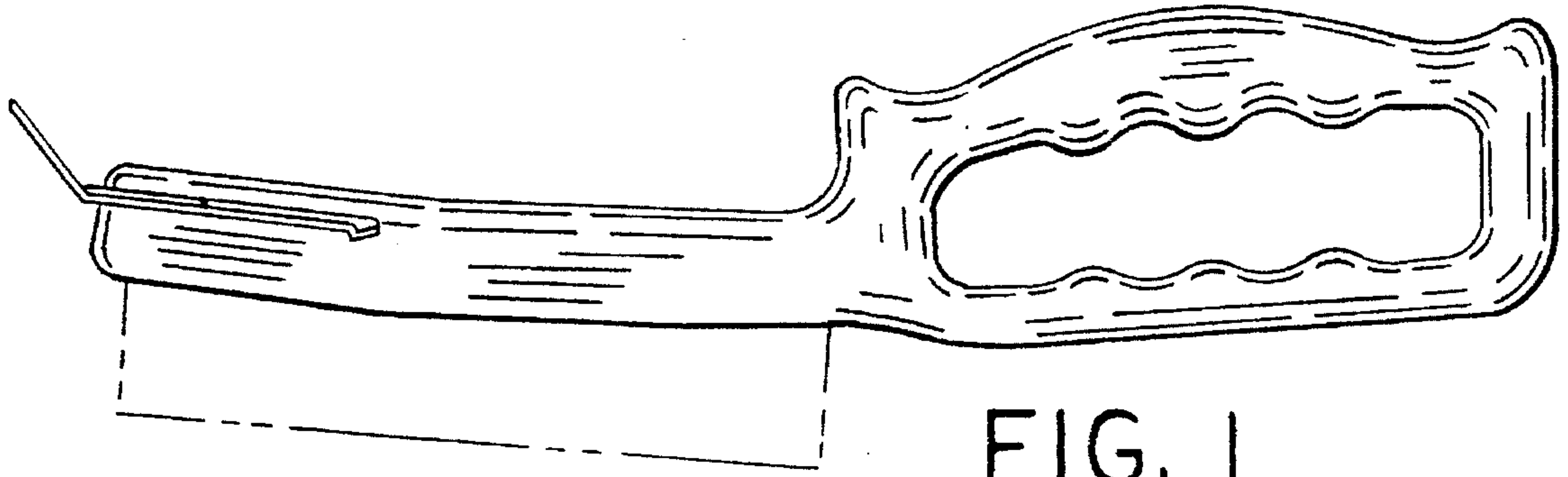


FIG. 1

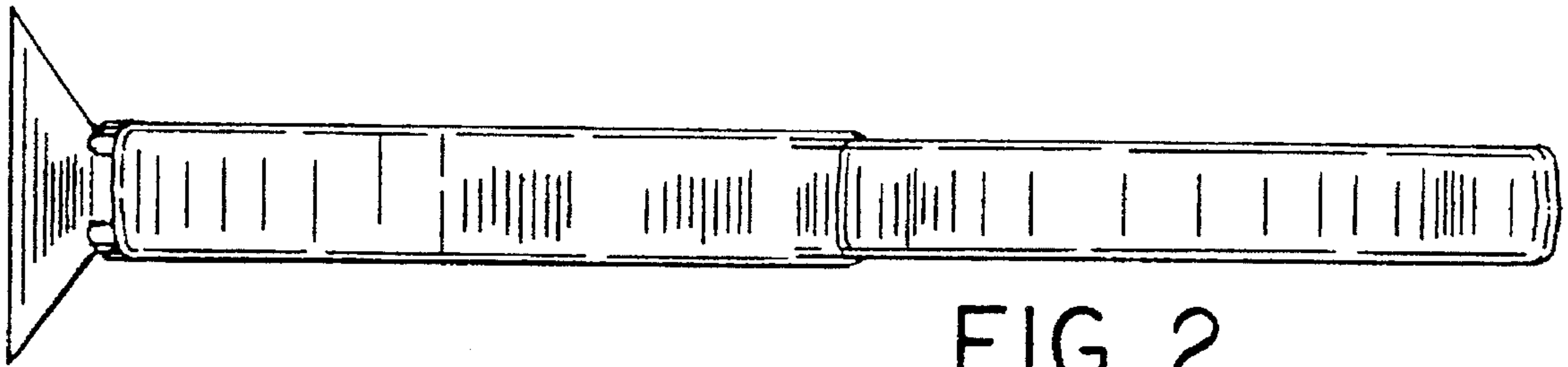


FIG. 2

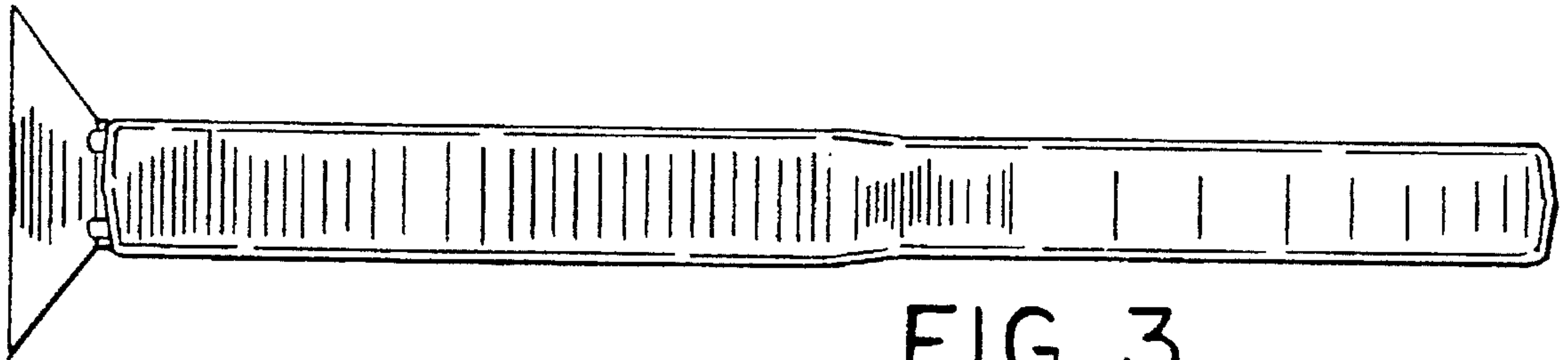


FIG. 3

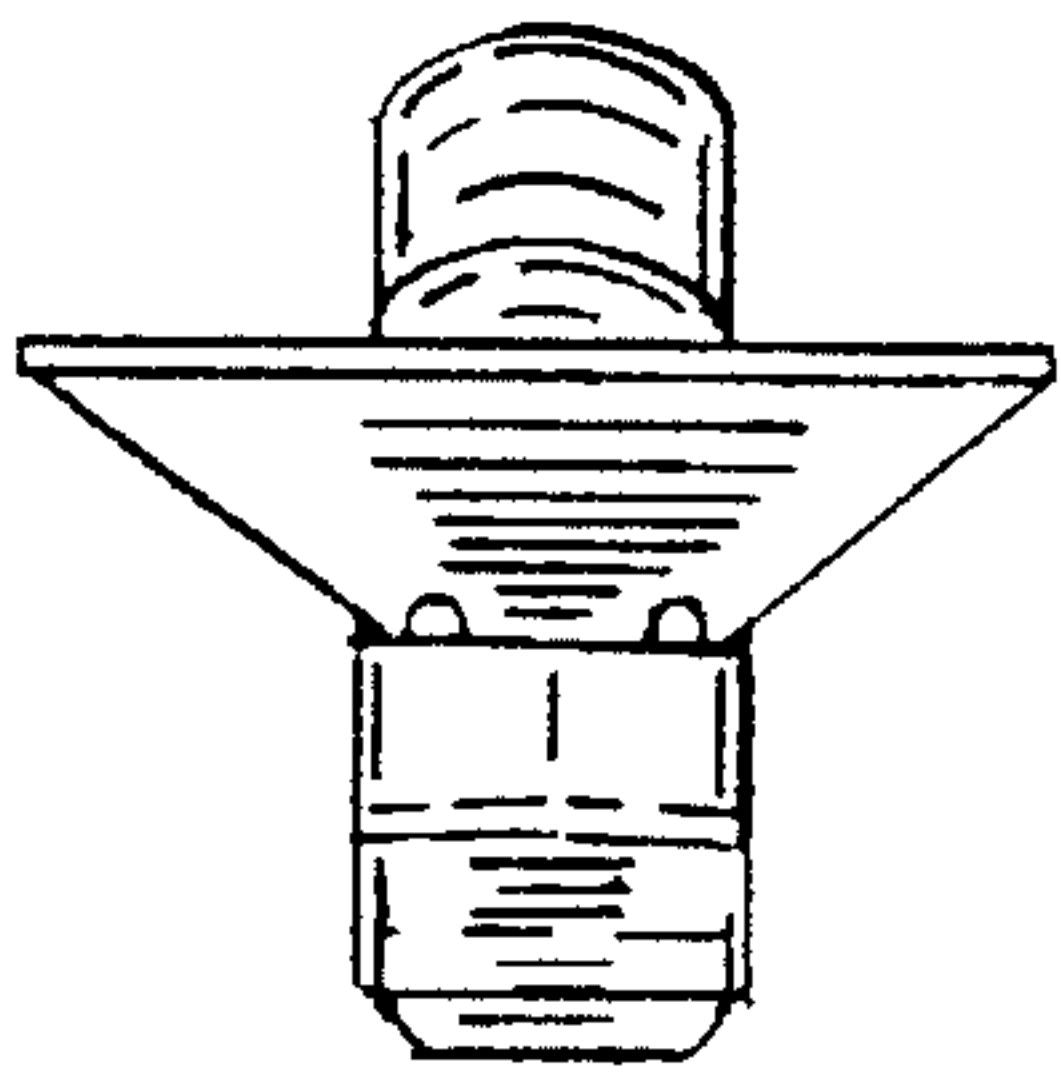


FIG. 4

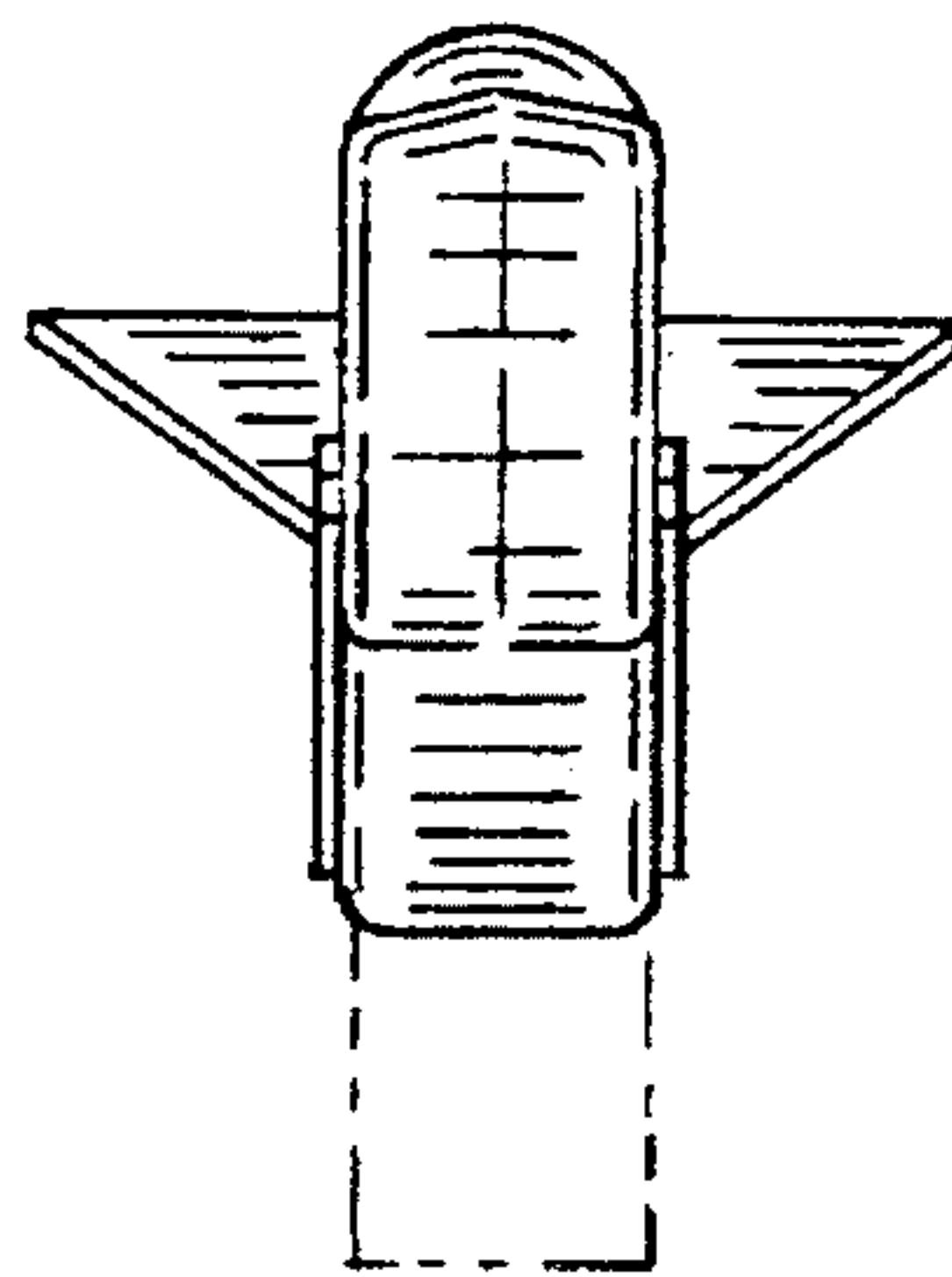


FIG. 5