



US00D369469S

United States Patent [19]

[11] **Patent Number: Des. 369,469**

Gregory

[45] **Date of Patent: **May 7, 1996**

[54] **CONTAINER**

[76] Inventor: **Sheila Gregory**, 13532 Wynant Dr., Westminister, Calif. 92683

[**] Term: **14 Years**

[21] Appl. No.: **37,189**

[22] Filed: **Apr. 6, 1995**

[52] U.S. Cl. **D3/319; D3/313; D7/553; D7/555; D9/347; D9/424**

[58] **Field of Search** **D3/304, 307-314, D3/319; 206/564, 373; 220/500, 555; 190/35, 110; D7/553, 555; D9/424, 425, 456, 347**

[56] **References Cited**

U.S. PATENT DOCUMENTS

D. 280,290	8/1985	Bakus	D9/347
D. 326,777	6/1992	Newby	D3/319
3,524,564	8/1970	Schurman	220/555 X
4,106,597	8/1978	Shook et al.	190/110
4,836,374	6/1989	Hutchins et al.	206/373

Primary Examiner—Ted Shooman
Assistant Examiner—Richelle Shelton
Attorney, Agent, or Firm—Knobbe, Martens, Olson & Bear

[57] **CLAIM**

The ornamental design for a container, as shown and described.

DESCRIPTION

FIG. 1 is a perspective view of a container showing my new design;

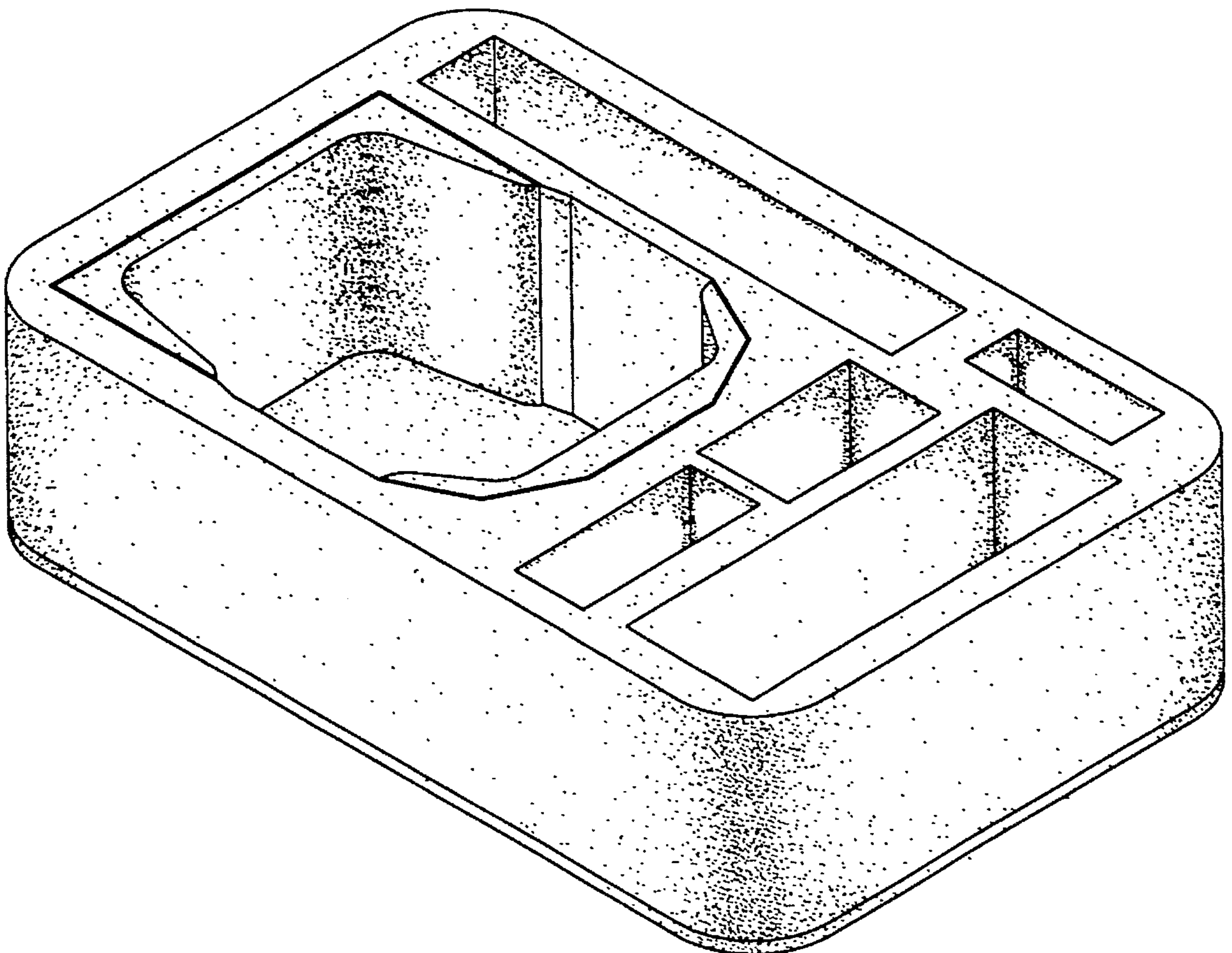
FIG. 2 is a top plan view thereof, the case shown in broken lines is for illustrative purposes only and forms no part of the claimed design;

FIG. 3 is a left side elevational view thereof, the right side elevational view being identical;

FIG. 4 is a front elevational view thereof, the rear elevational view being identical; and,

FIG. 5 is a bottom plan view thereof.

1 Claim, 2 Drawing Sheets



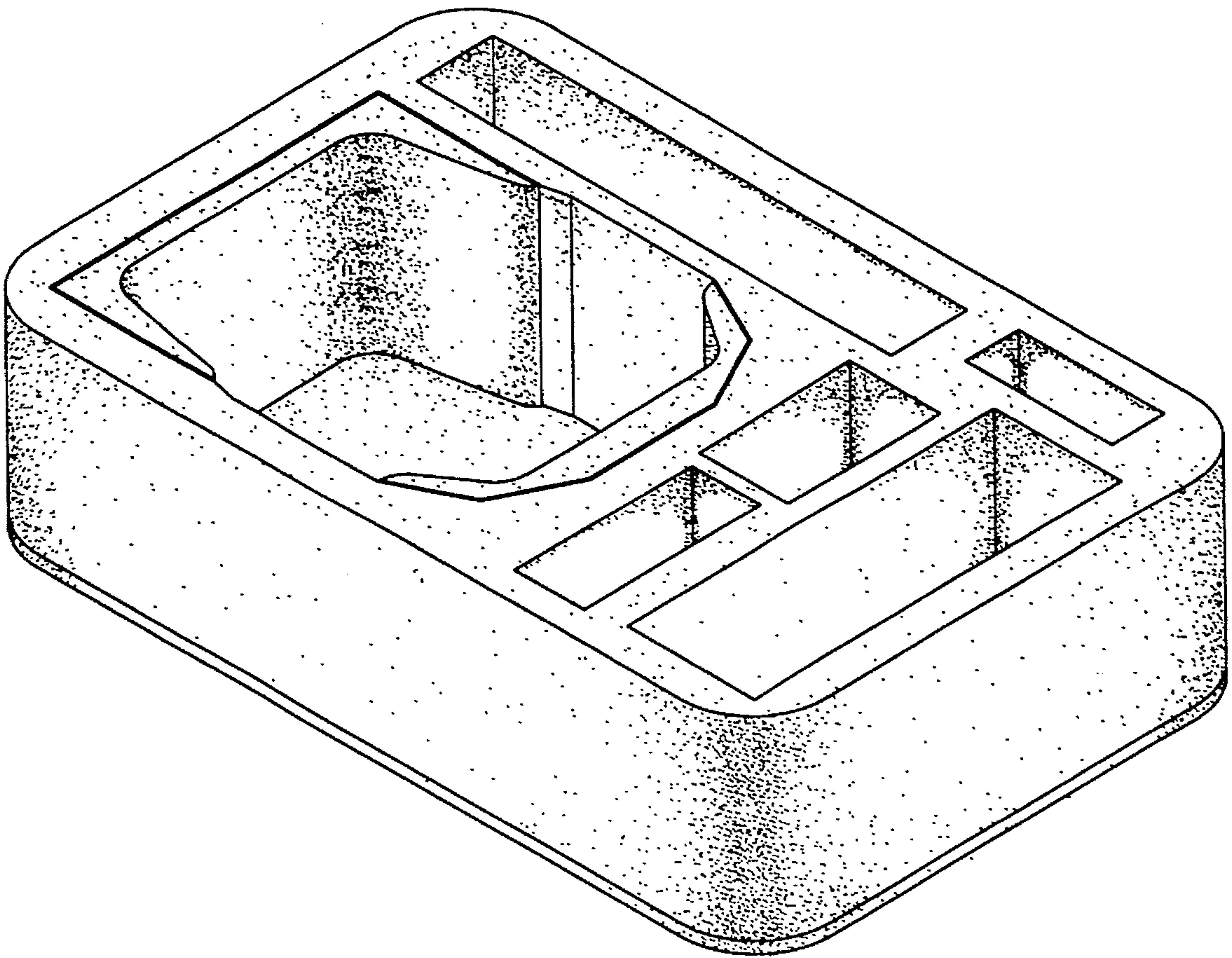


Fig. 1

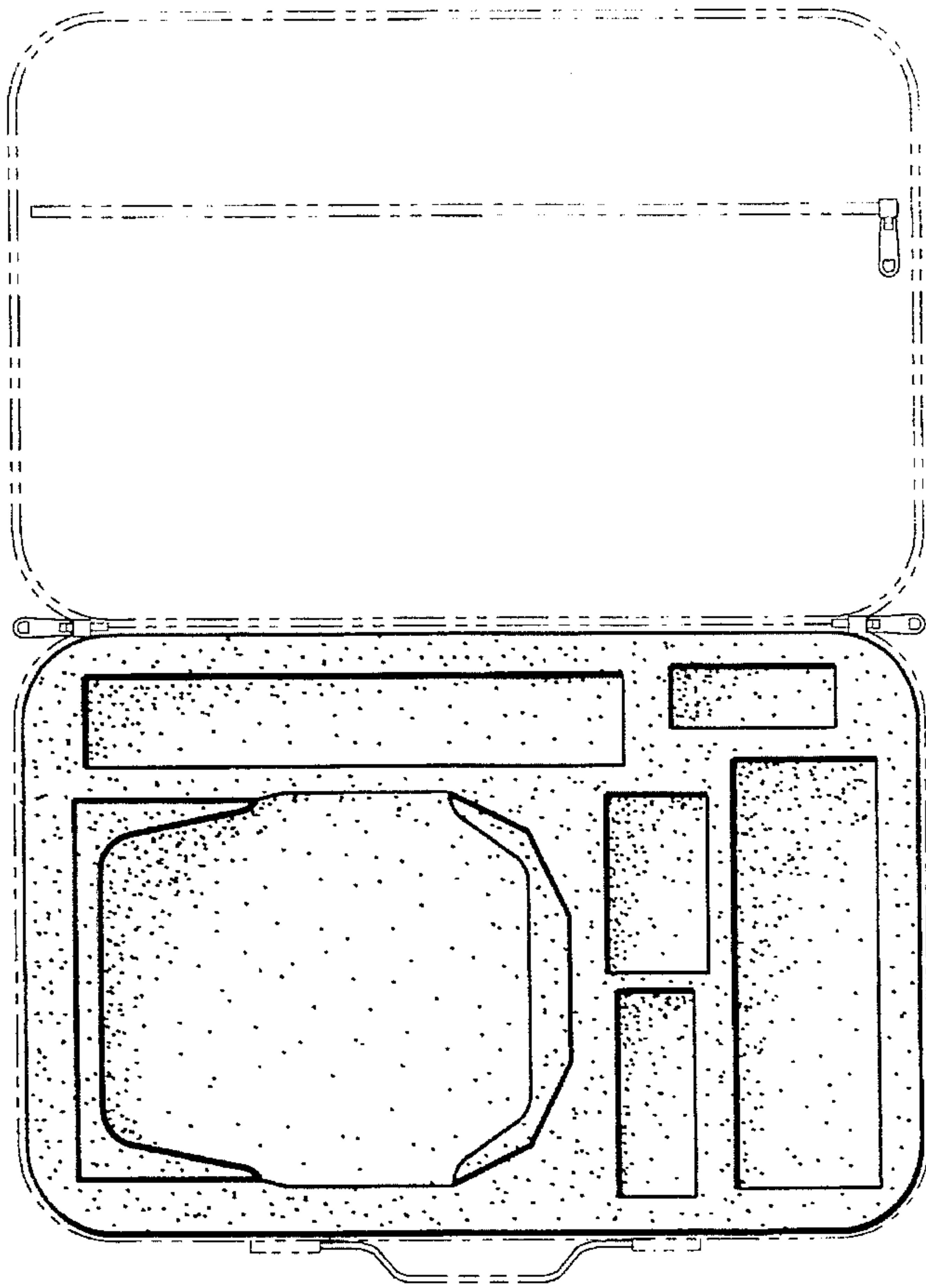


Fig. 2

Fig. 3

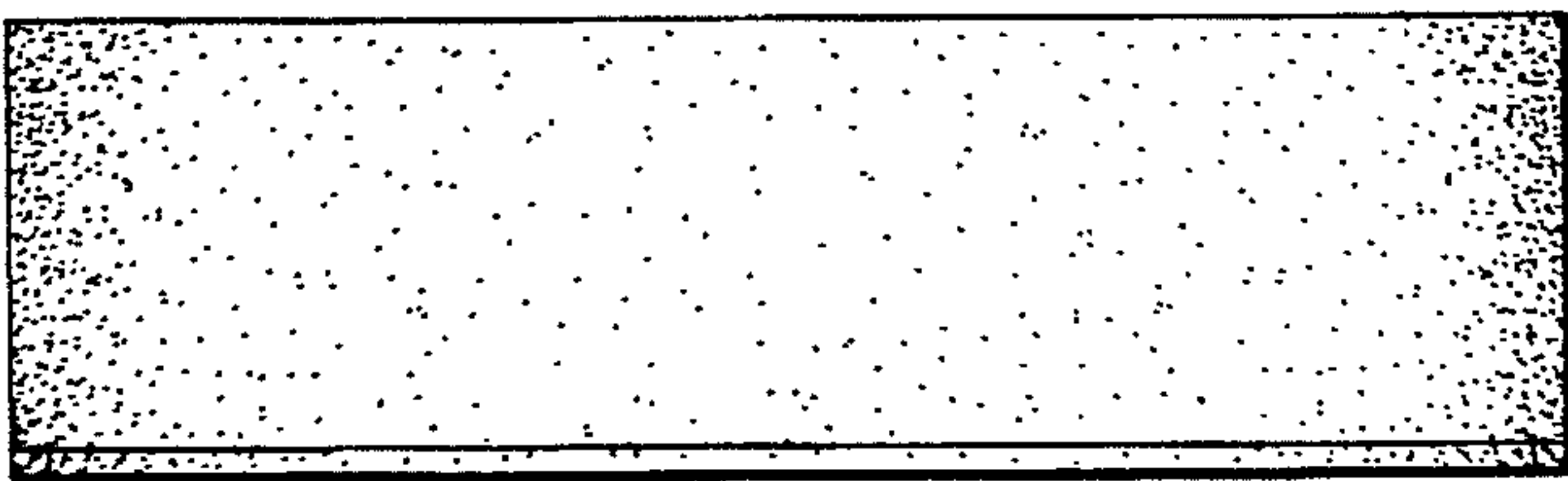


Fig. 4

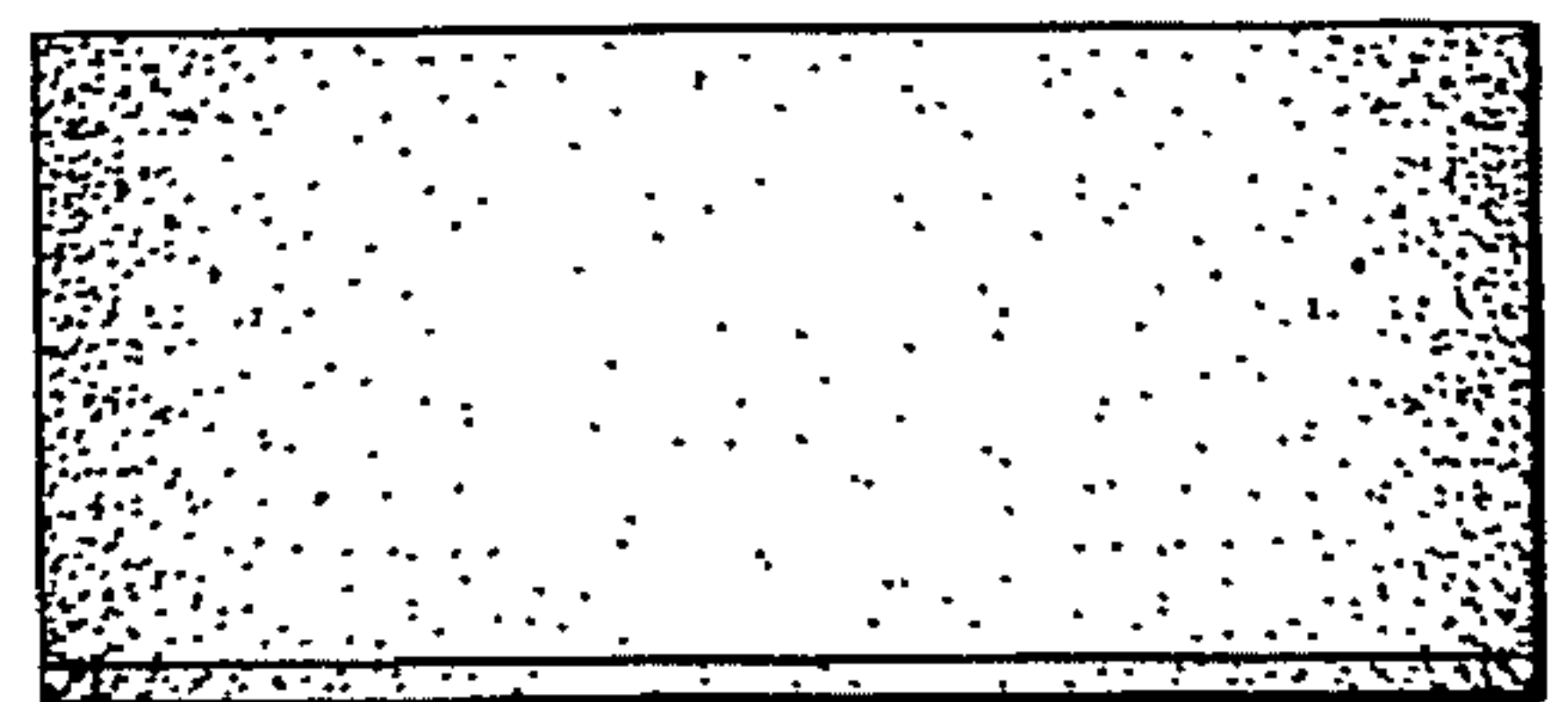


Fig. 5

