



US00D369466S

United States Patent [19]

Jannard et al.

[11] Patent Number: **Des. 369,466**

[45] Date of Patent: ****May 7, 1996**

[54] CONTAINER

[75] Inventors: **James H. Jannard**, Eastsound, Wash.;
Peter Yee, Huntington Beach, Calif.

[73] Assignee: **Oakley, Inc.**, Irvine, Calif.

[**] Term: **14 Years**

[21] Appl. No.: **35,435**

[22] Filed: **Feb. 24, 1995**

[52] U.S. Cl. **D3/272; D3/294; D3/903**

[58] Field of Search **D3/294, 272, 270,**
D3/273, 903; D9/415, 420, 423, 432; D6/432;
206/6.1, 278.1; 220/4.22

[56] **References Cited**

U.S. PATENT DOCUMENTS

D. 69,649	3/1926	Hamilton	D3/270
D. 70,897	8/1926	Purchas	D3/294
D. 71,465	11/1926	Langmuir	D3/272
D. 84,954	8/1931	Purchas	D3/270

D. 209,166	11/1967	Shiner	D9/432
D. 239,153	3/1976	Snyder	D3/272
D. 301,260	5/1989	McLaughlin et al.	D3/271

Primary Examiner—Philip S. Hyder
Attorney, Agent, or Firm—Knobbe, Martens, Olson & Bear

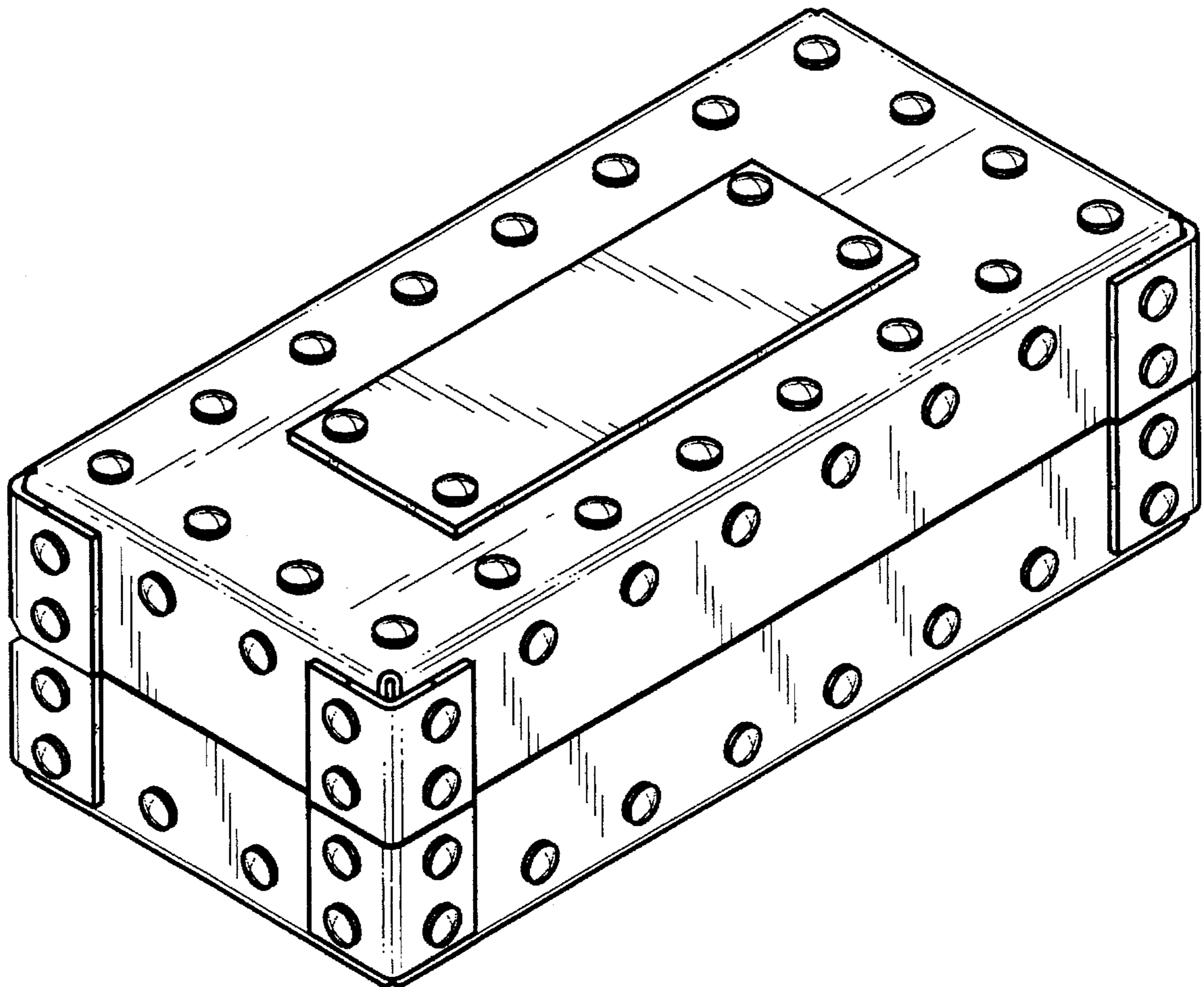
[57] CLAIM

The ornamental design for a container, as shown and described.

DESCRIPTION

FIG. 1 is a front perspective view of the container of the present design;
FIG. 2 is a front elevational view thereof;
FIG. 3 is a top plan view thereof;
FIG. 4 is a rear elevational view thereof;
FIG. 5 is a bottom plan view thereof; and,
FIG. 6 is a left side elevational view thereof, the right side elevational view being identical.

1 Claim, 2 Drawing Sheets



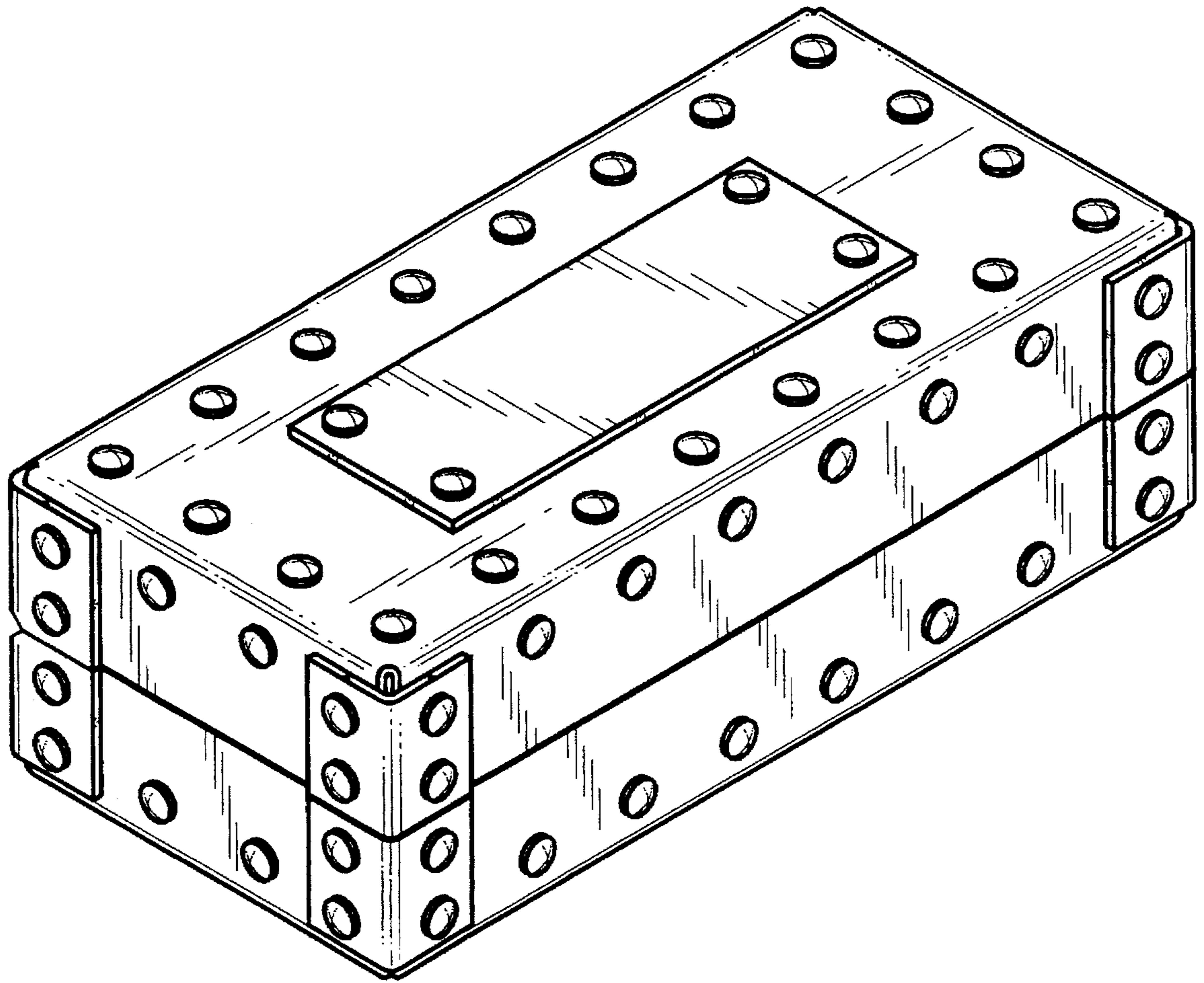


FIG. 1

FIG. 2

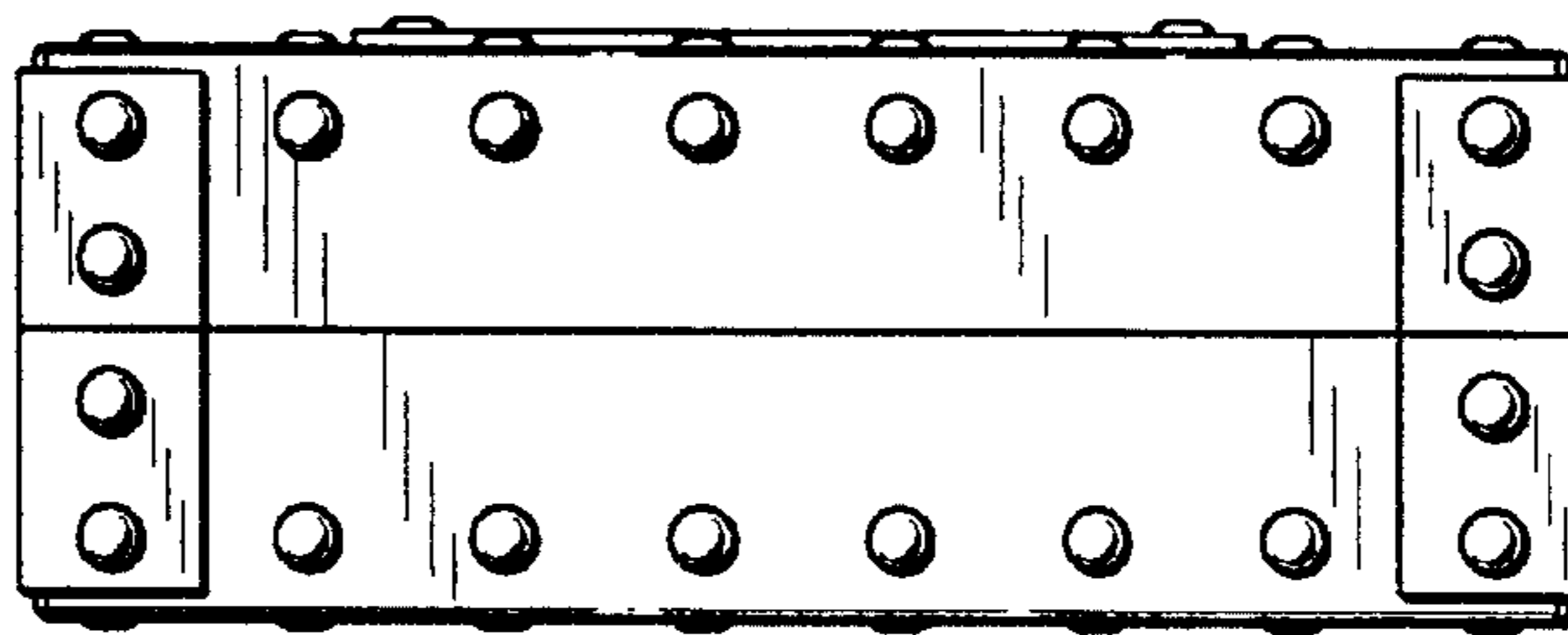


FIG. 3

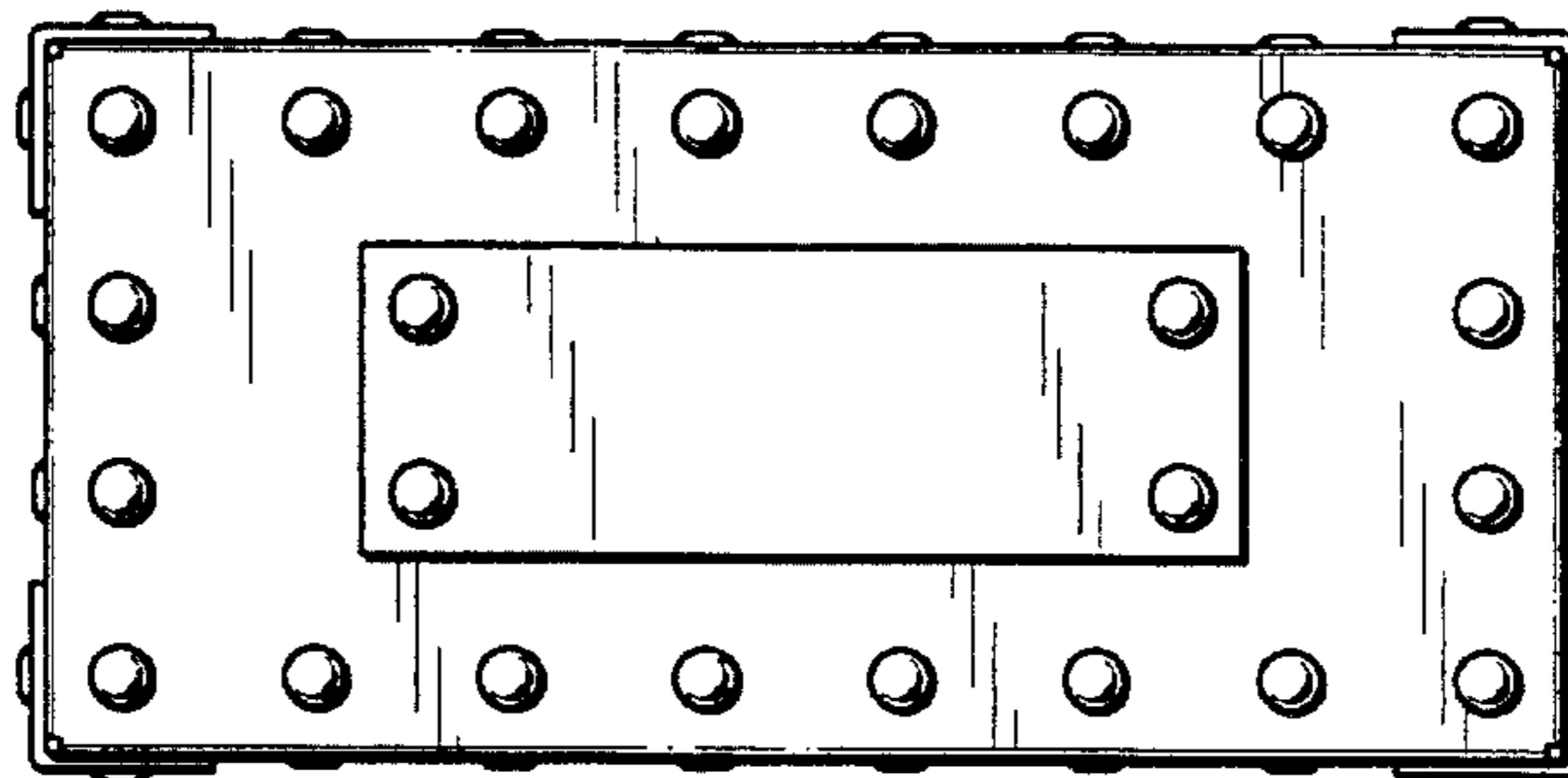


FIG. 4

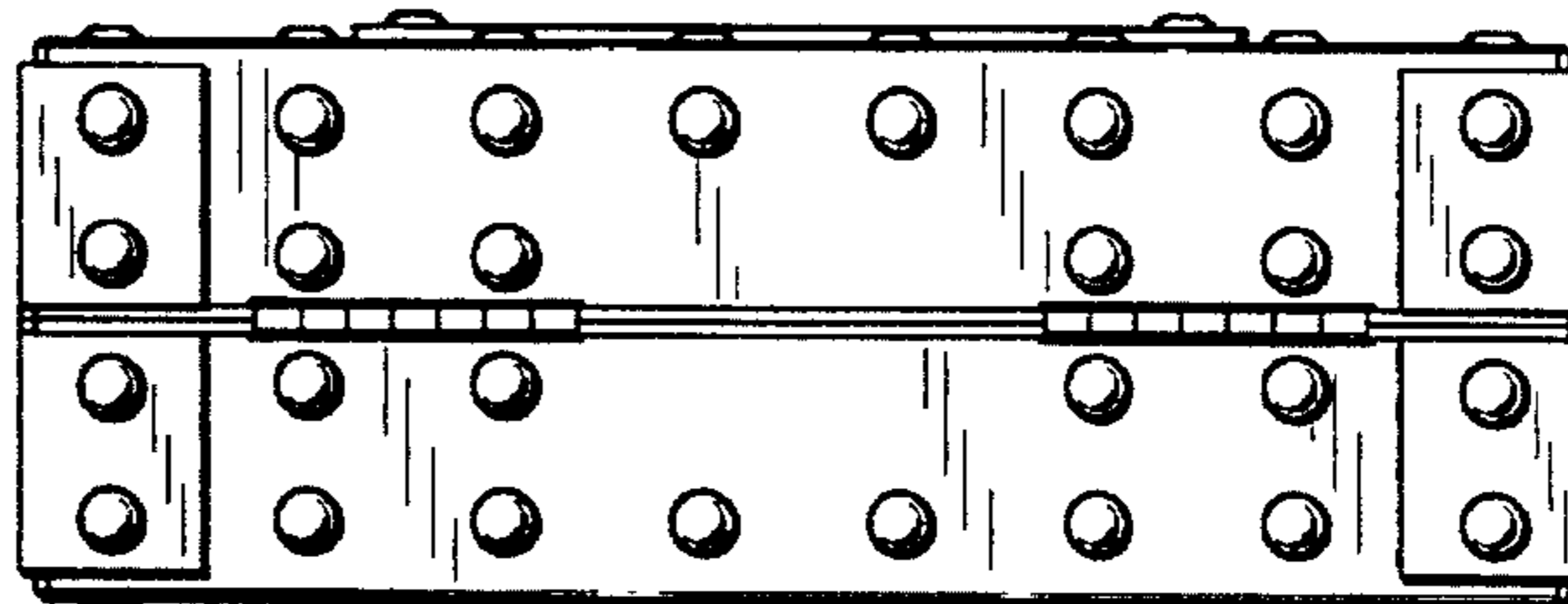


FIG. 5

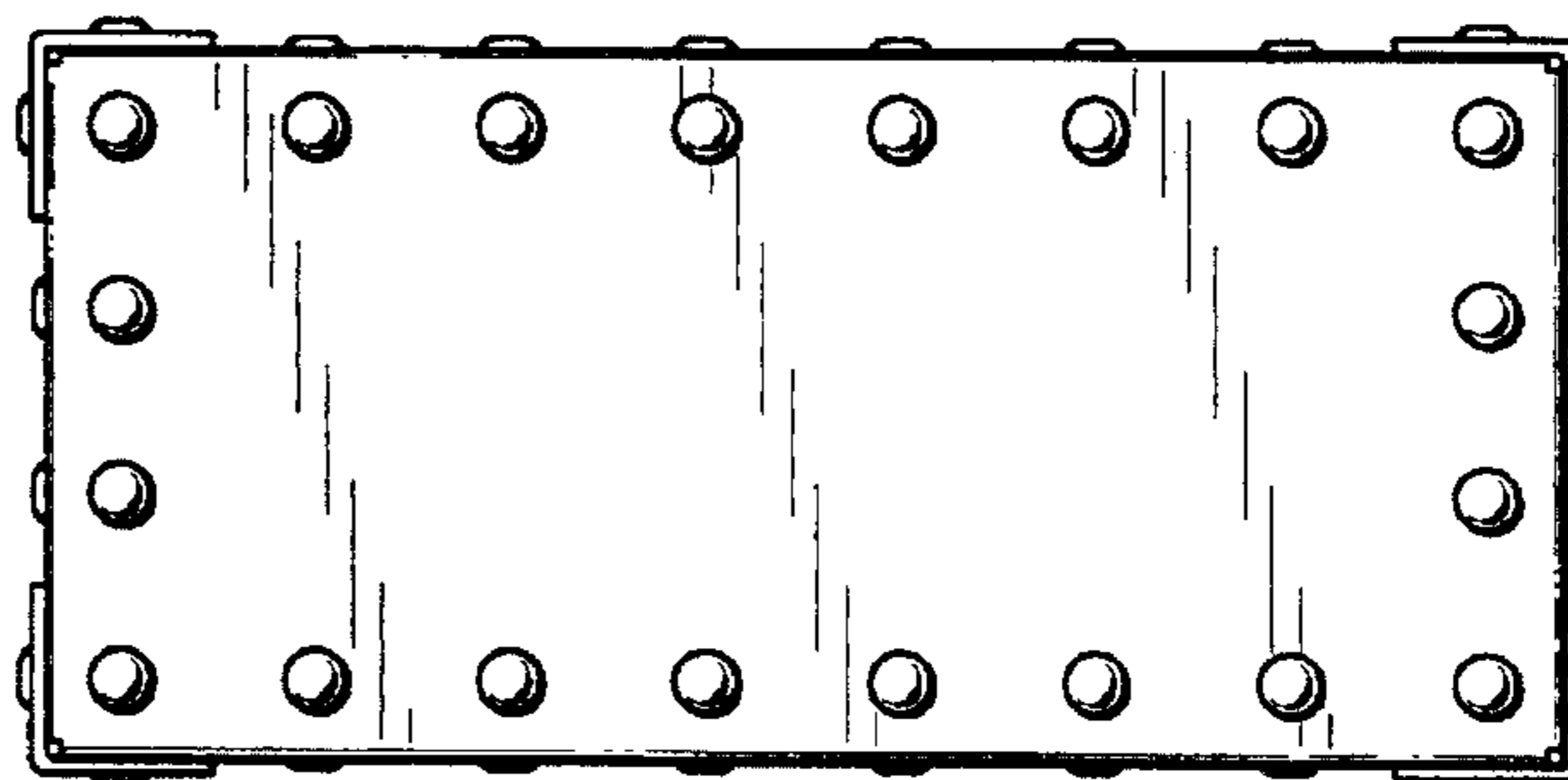


FIG. 6

