



US00D369465S

United States Patent [19]

Scheid et al.

[11] Patent Number: Des. 369,465

[45] Date of Patent: **May 7, 1996

[54] PAGER HOLSTER

D. 359,616 6/1995 Ishibashi et al. D3/218

[75] Inventors: William J. Scheid, Coral Springs;
Tonya M. Twine, Boynton Beach, both
of Fla.

Primary Examiner—Doris V. Coles
Assistant Examiner—Catherine R. Oliver
Attorney, Agent, or Firm—Keith A. Chanroo

[73] Assignee: Motorola, Inc., Schaumburg, Ill.

[57] CLAIM

[**] Term: 14 Years

The ornamental design for a pager holster, as shown and described.

[21] Appl. No.: 37,490

DESCRIPTION

[22] Filed: Apr. 13, 1995

[52] U.S. Cl. D3/218

[58] Field of Search D3/218, 224, 226,
D3/299; 224/236, 240, 242, 250, 252, 253,
267, 268, 269, 904, 913

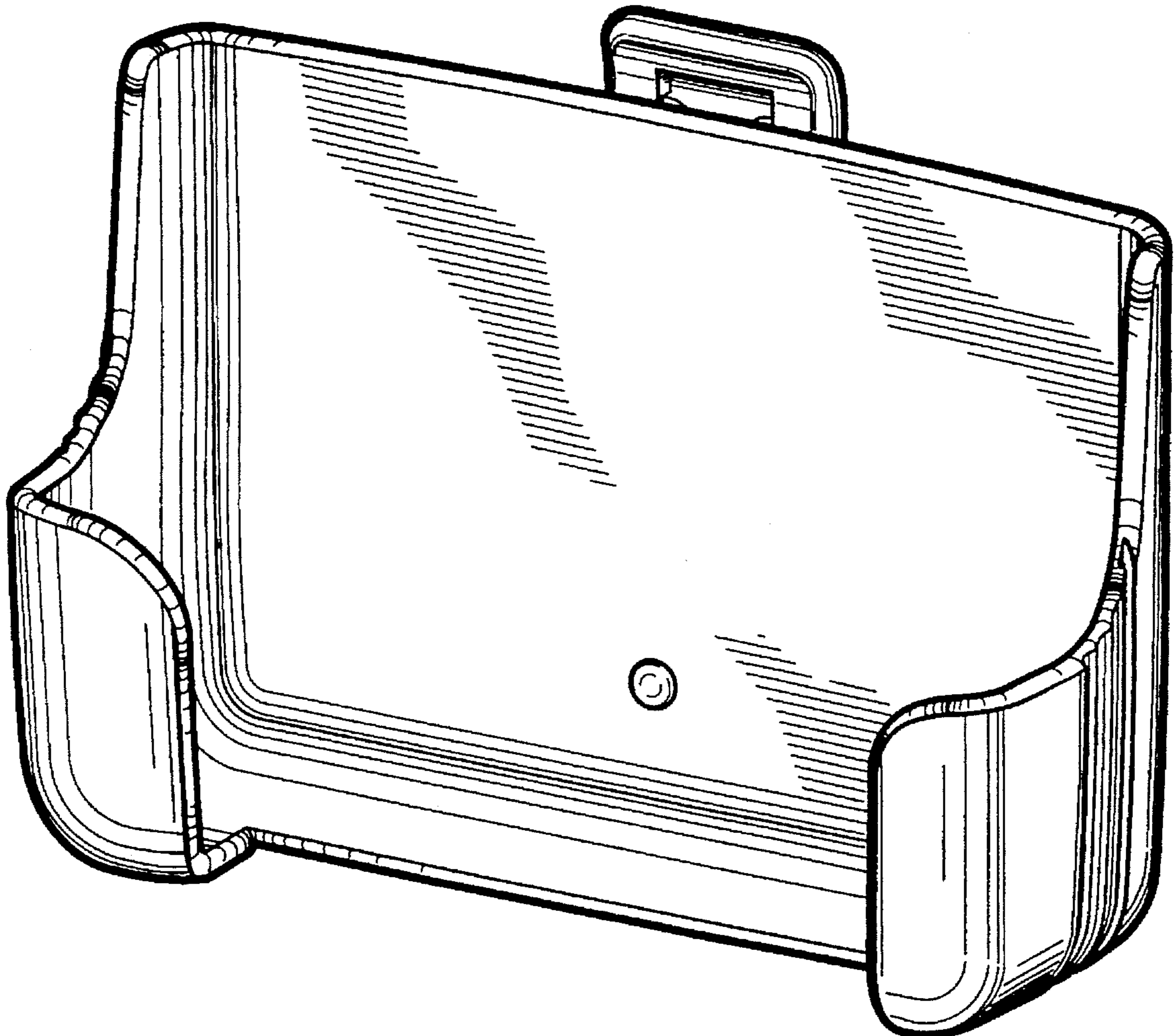
FIG. 1 is a front elevation view of a "pager holster" showing our new design;
FIG. 2 is a right side elevation view thereof;
FIG. 3 is a top elevation view thereof;
FIG. 4 is a rear elevation view thereof;
FIG. 5 is a left side elevation view thereof;
FIG. 6 is a bottom elevation view thereof; and,
FIG. 7 is a perspective view thereof.

[56] References Cited

U.S. PATENT DOCUMENTS

D. 345,053 3/1994 Gomez et al. D3/218
D. 351,280 10/1994 Pennington et al. D3/218

1 Claim, 3 Drawing Sheets



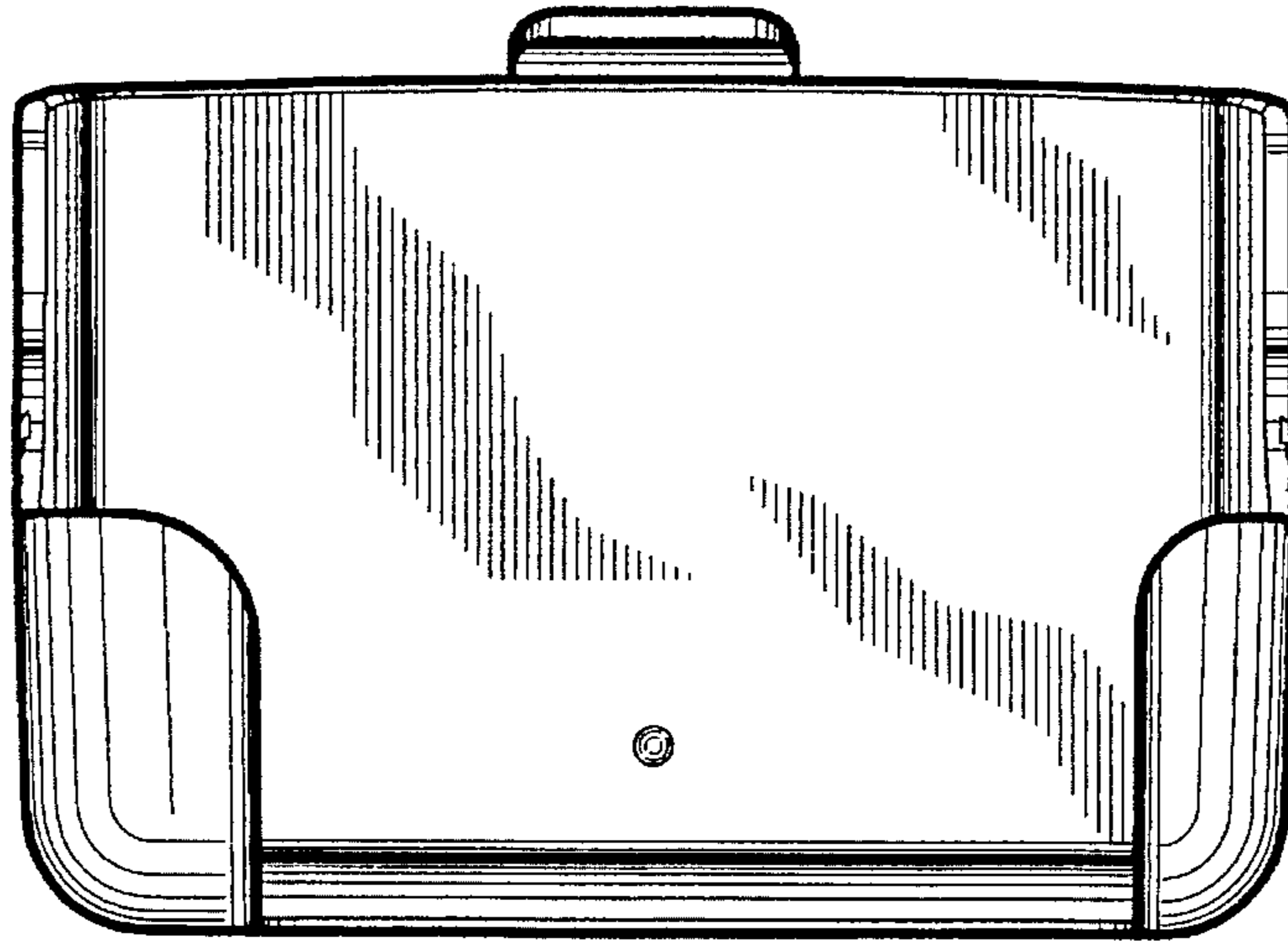


FIG. 1

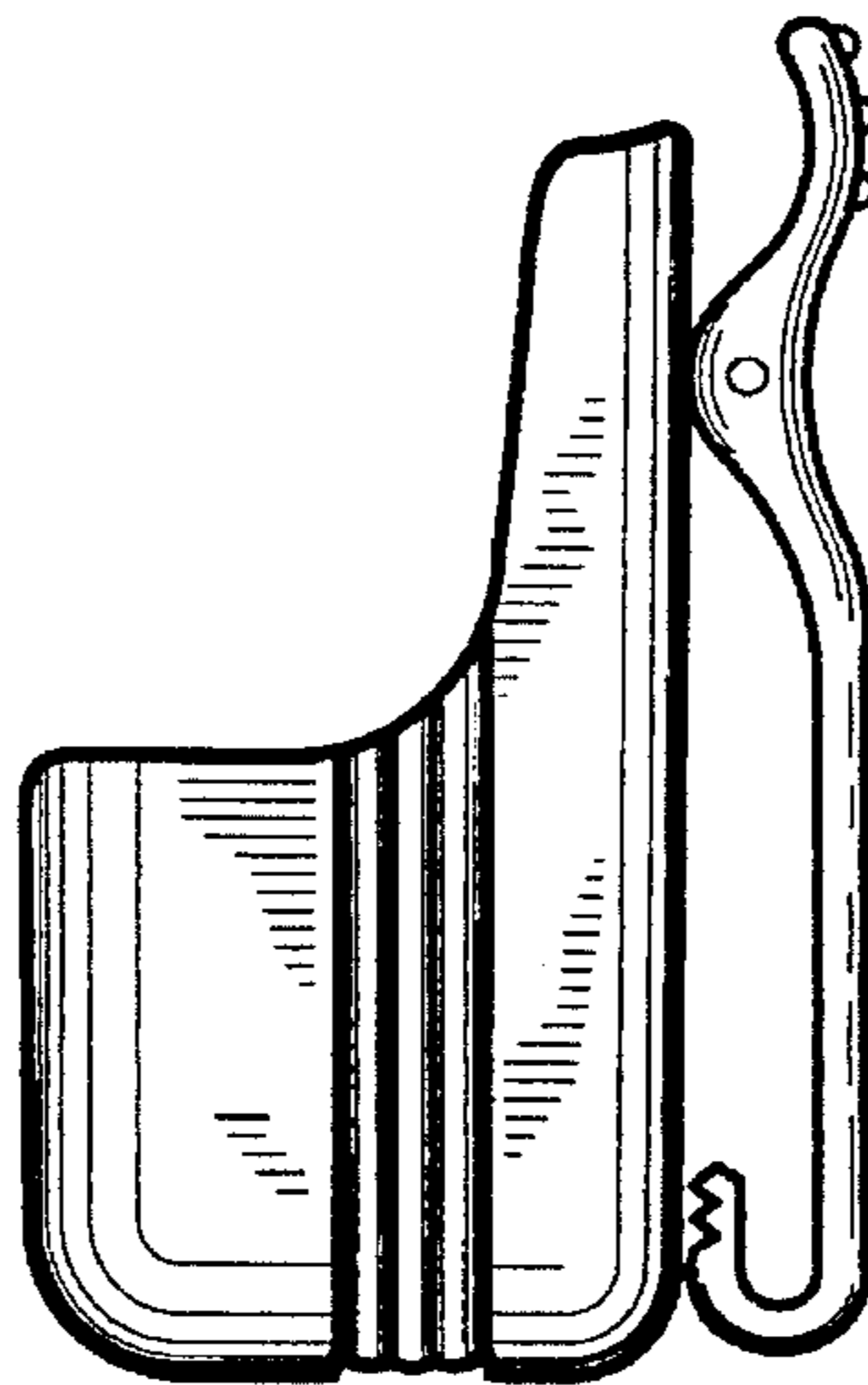


FIG. 2

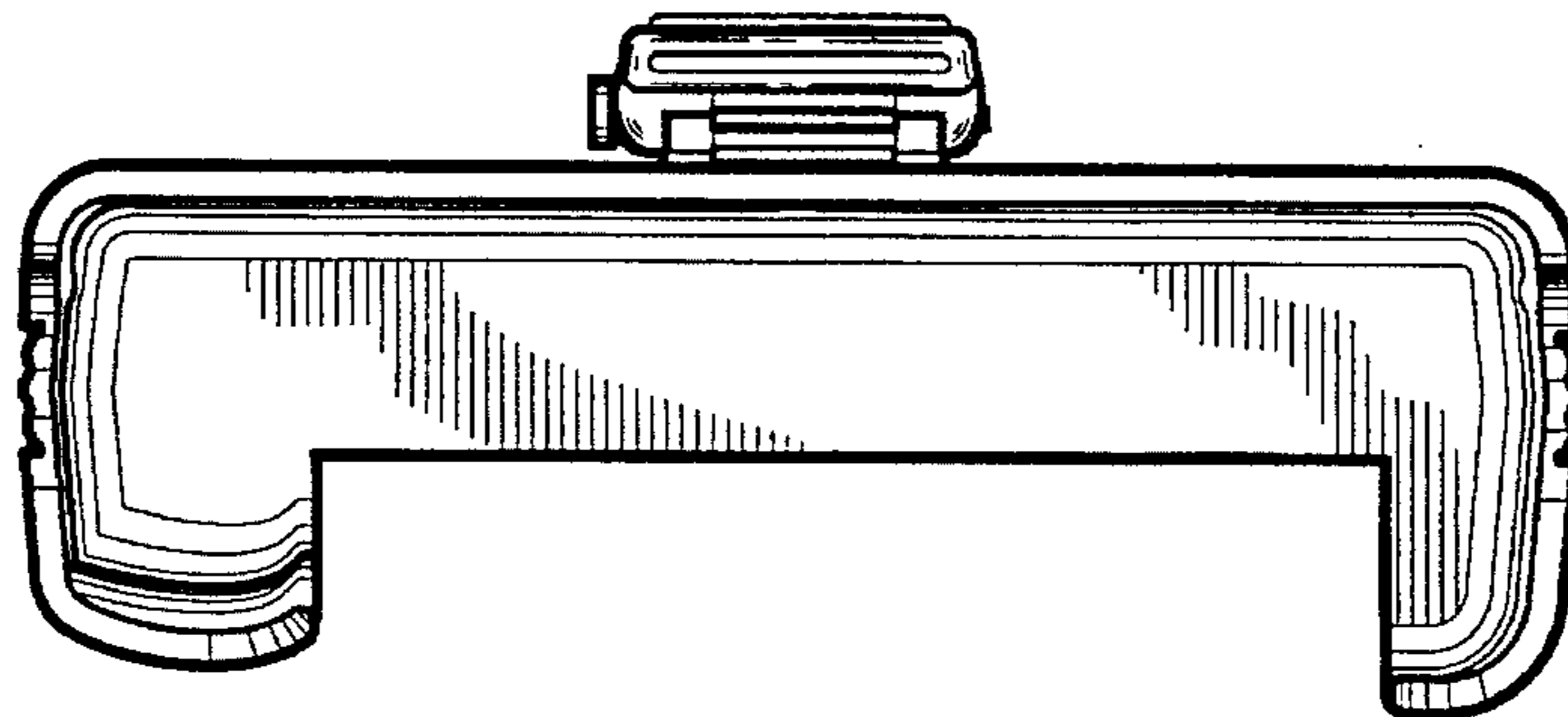


FIG. 3

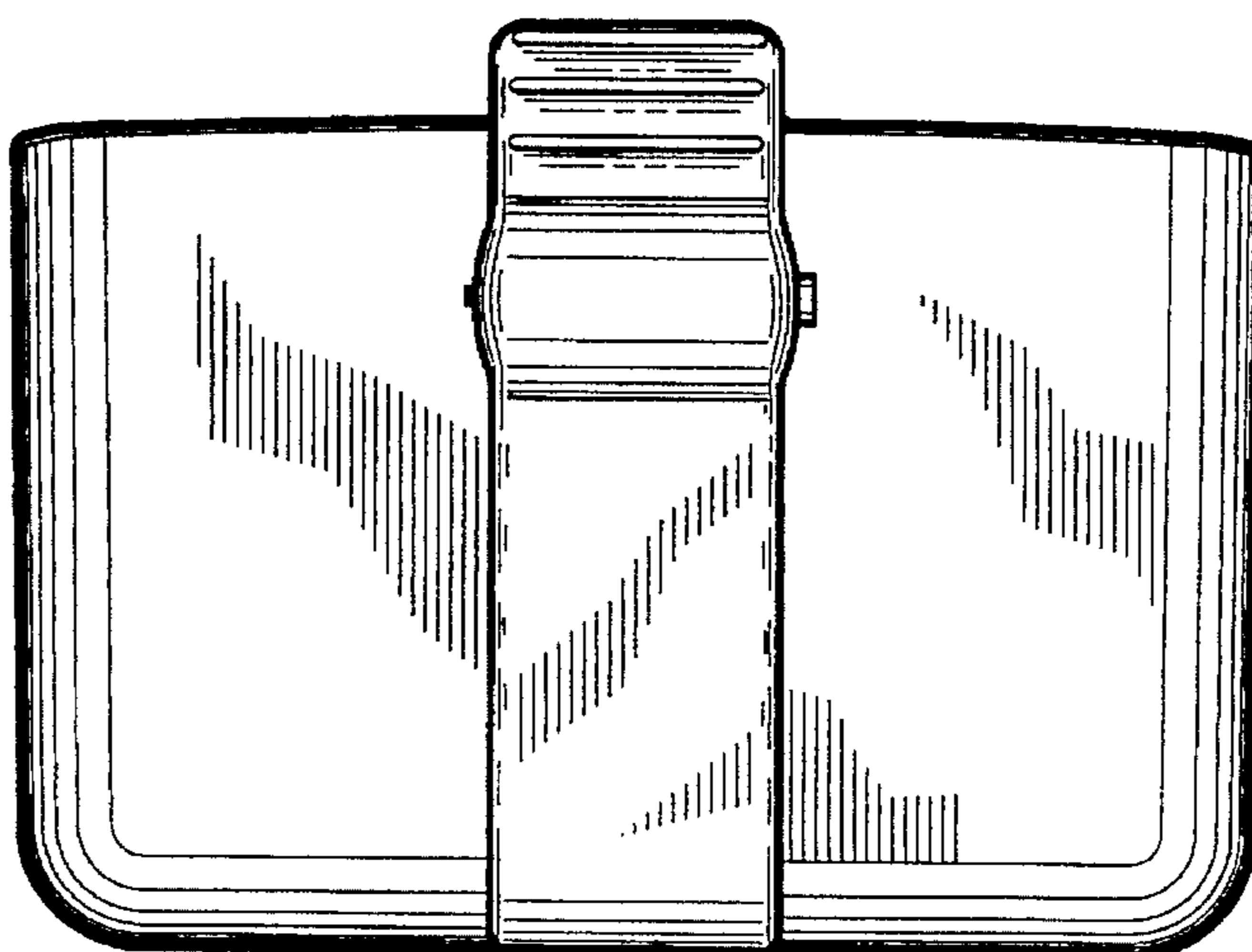


FIG. 4

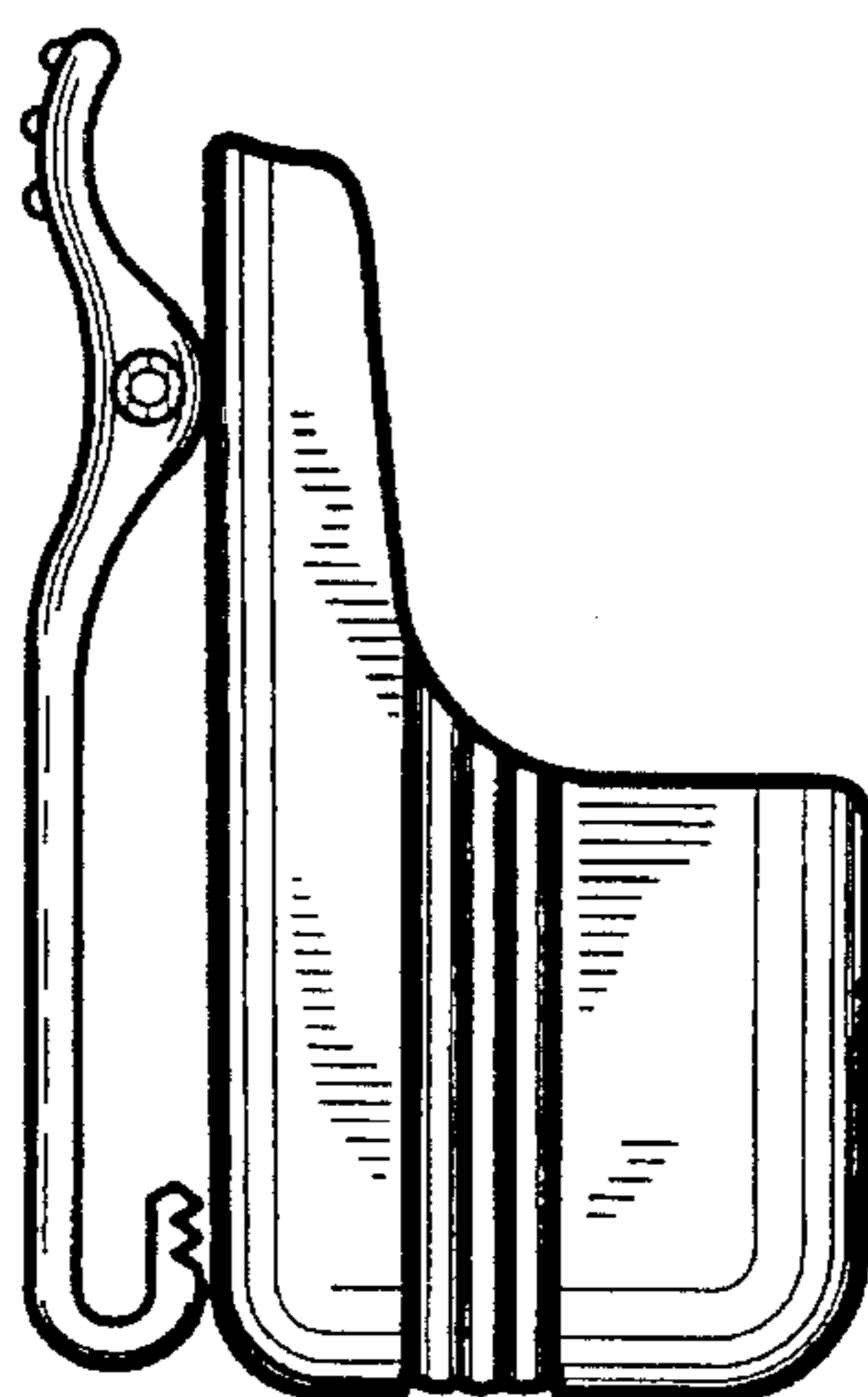


FIG. 5

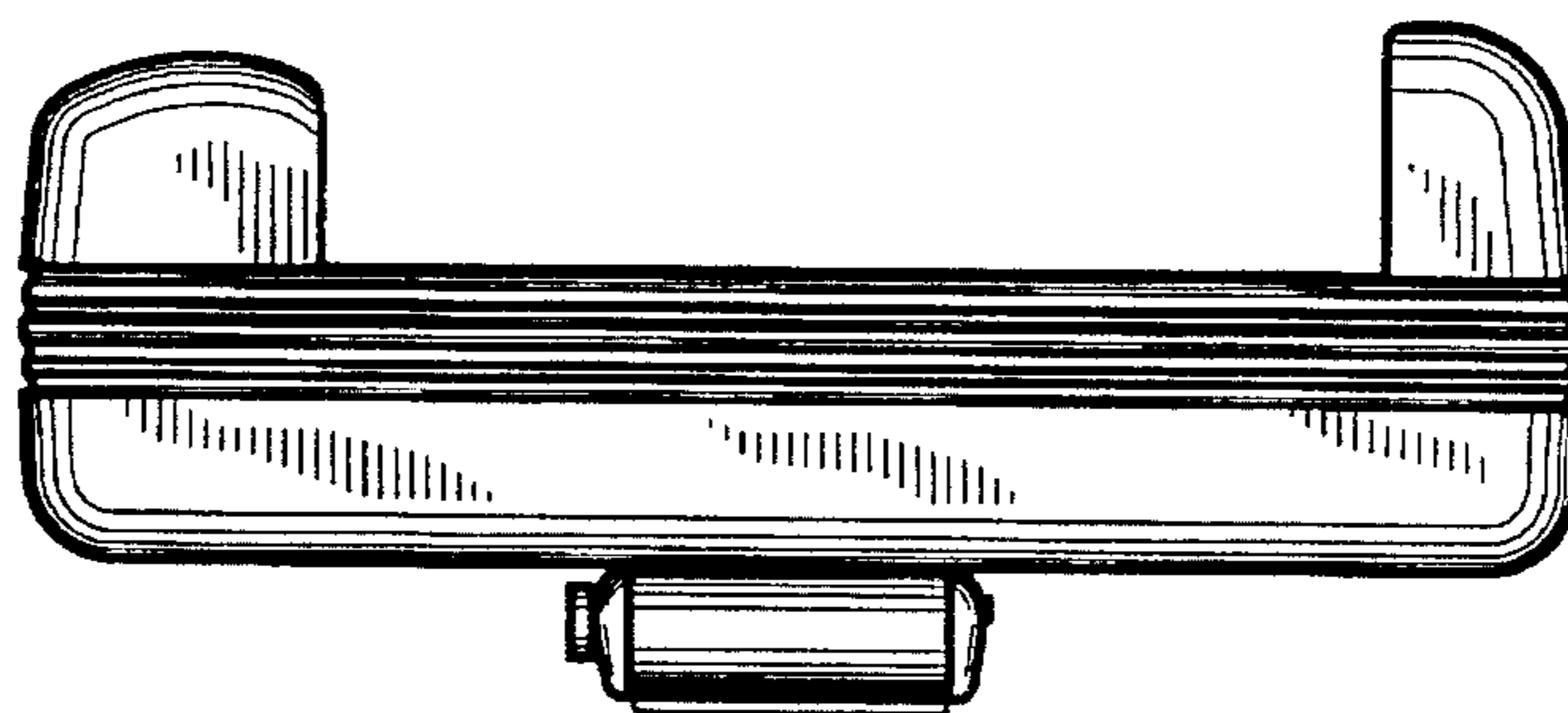


FIG. 6

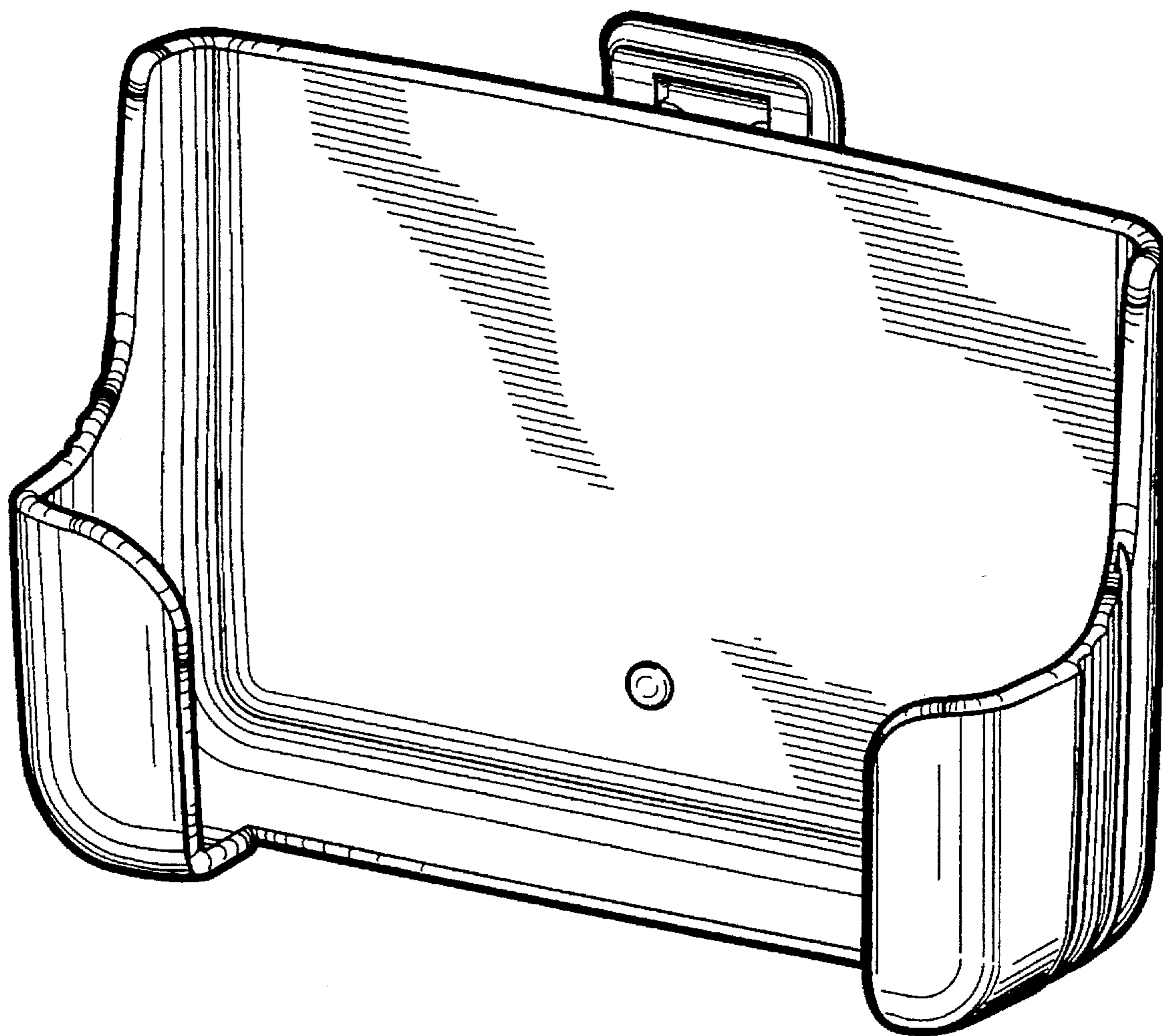


FIG. 7