



US00D369464S

United States Patent [19]

Williams et al.

[11] Patent Number: **Des. 369,464**

[45] Date of Patent: ****May 7, 1996**

[54] **KEY HOLDER**

4,739,877 4/1988 Olson 206/38.1
5,454,567 10/1995 Adell 273/144 B

[76] Inventors: **Darrell R. Williams**, 210 Woodloch Springs, Hawley, Pa. 18428; **William Conroy**, 708 Lincoln Ave., Latrobe, Pa. 15650

Primary Examiner—Ralf Seifert
Attorney, Agent, or Firm—Salter & Michaelson

[**] Term: **14 Years**

[57] **CLAIM**

The ornamental design for a key holder, as shown.

[21] Appl. No.: **36,828**

DESCRIPTION

[22] Filed: **Mar. 28, 1995**

[52] U.S. Cl. **D3/207**

[58] Field of Search D3/207-212; 70/456 B, 70/458 R; 273/144 B; 206/38.1

FIG. 1 is a perspective view of a key holder showing our new design;

FIG. 2 is a front elevational view thereof;

FIG. 3 is a rear elevational view thereof;

FIG. 4 is an edge view thereof, the opposite edge being a mirror image thereof;

FIG. 5 is a top plan view thereof;

FIG. 6 is a bottom plan view thereof; and,

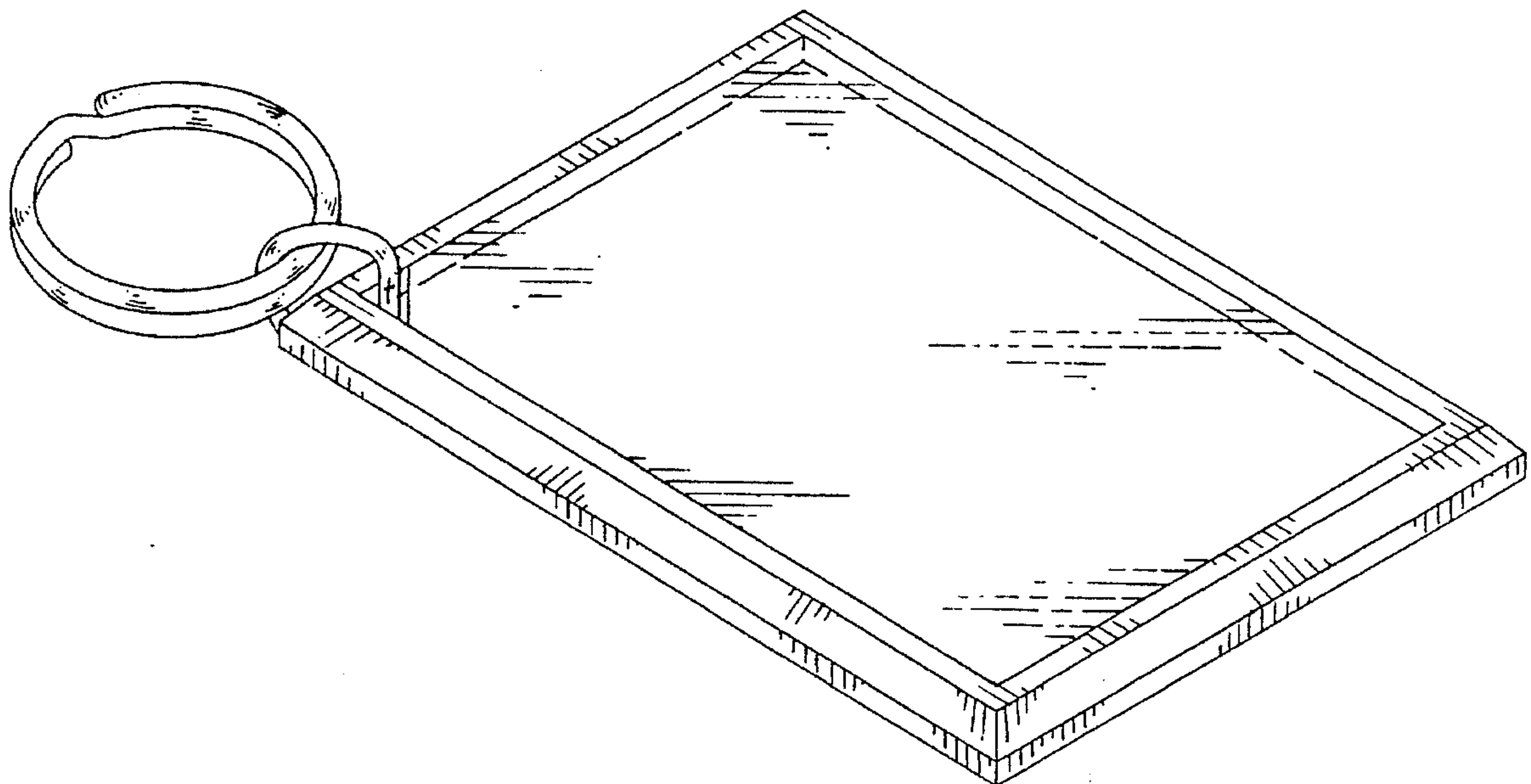
FIG. 7 is an exploded perspective view thereof.

[56] **References Cited**

U.S. PATENT DOCUMENTS

D. 300,582	4/1989	Hodge	D3/208
D. 308,757	6/1990	Sanford	D3/208
D. 324,954	3/1992	Lewis	D3/208
2,571,609	10/1951	Powell	D3/208

1 Claim, 3 Drawing Sheets



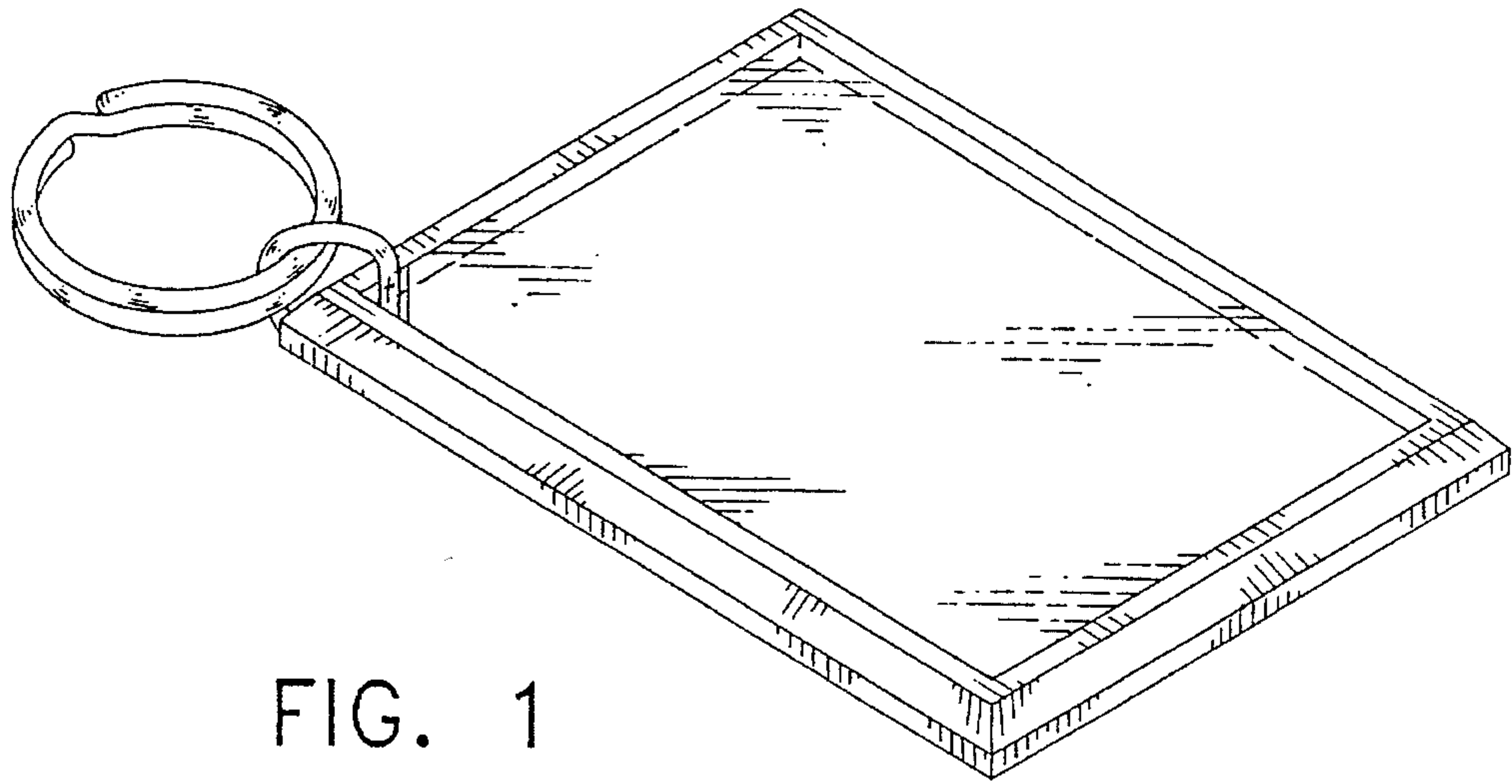


FIG. 1

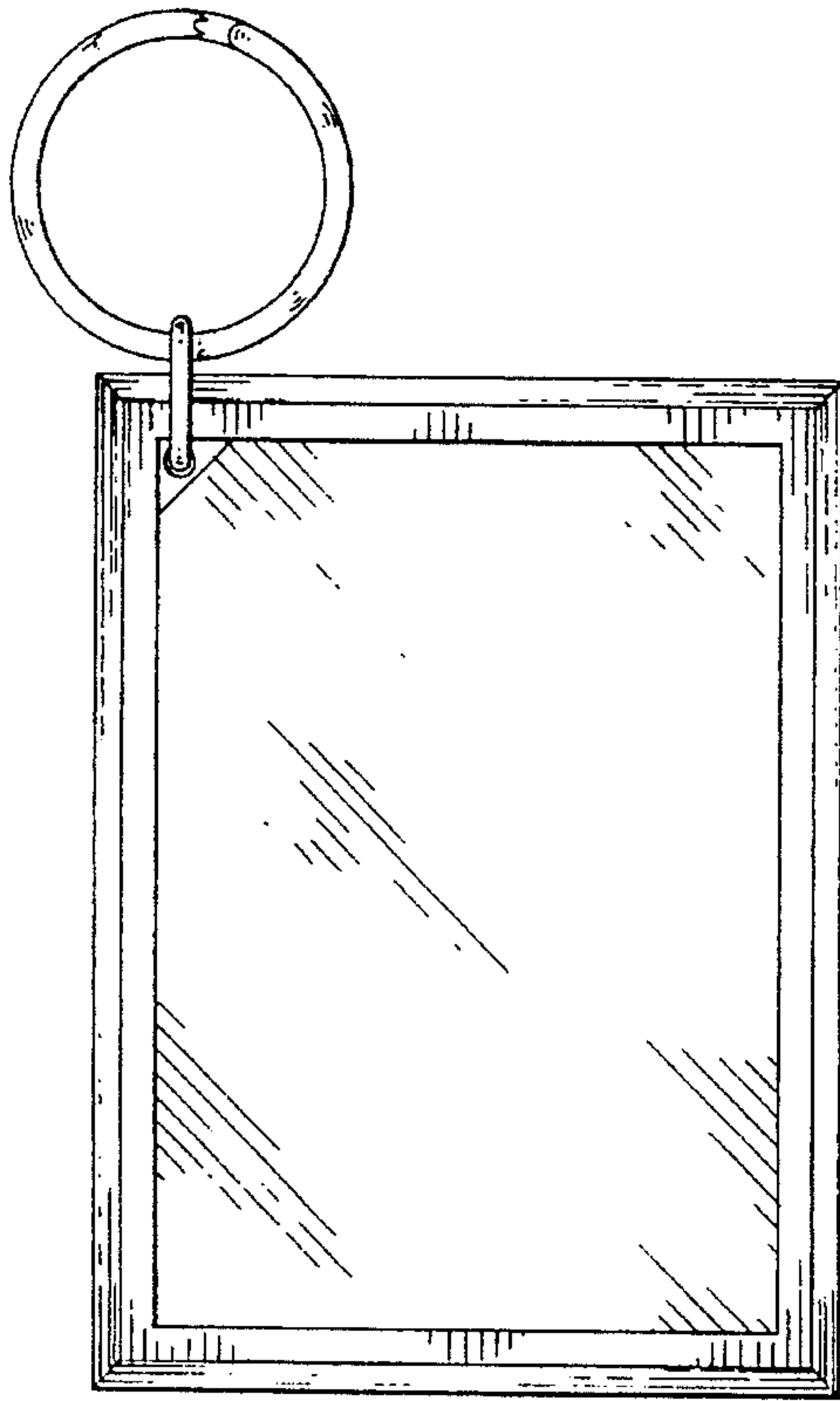


FIG. 2

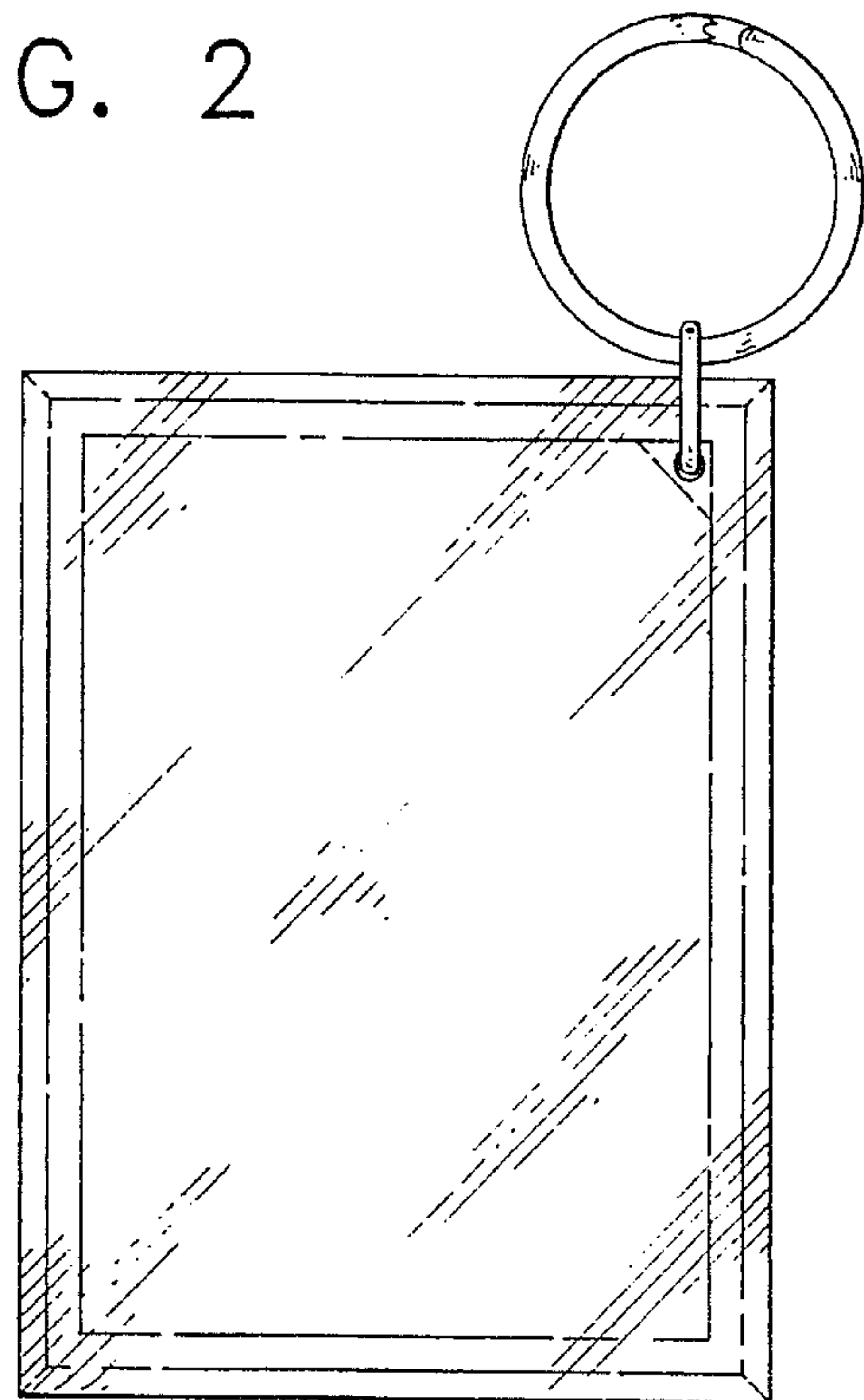


FIG. 3

FIG. 4

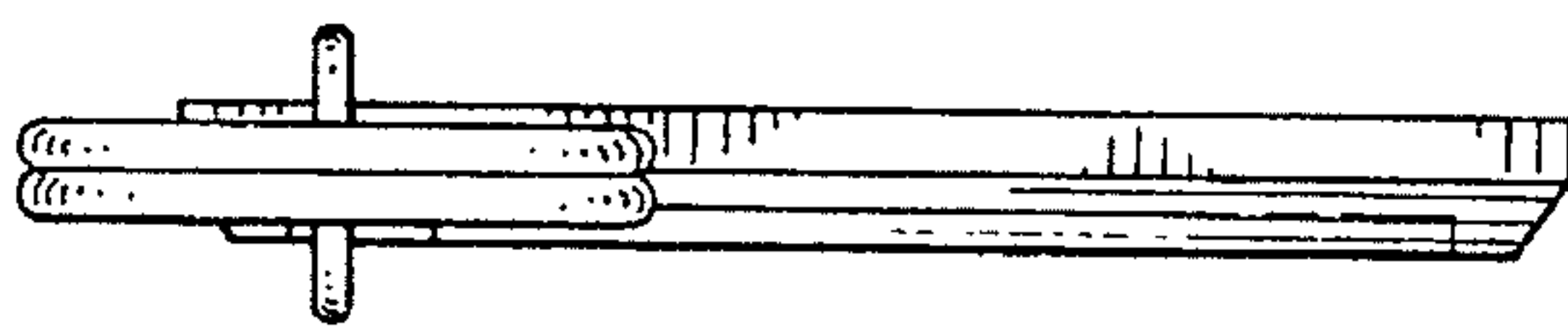
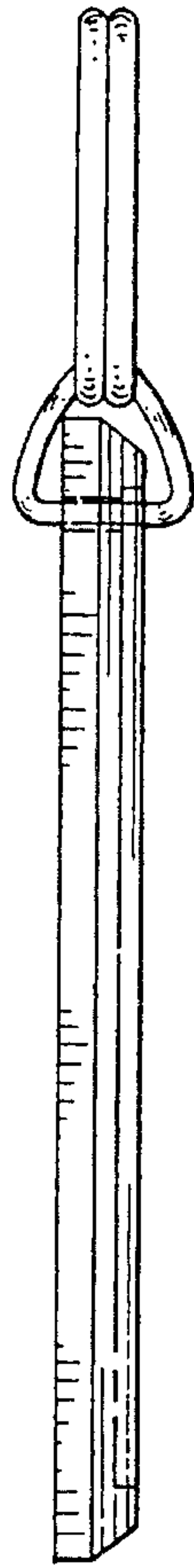


FIG. 5

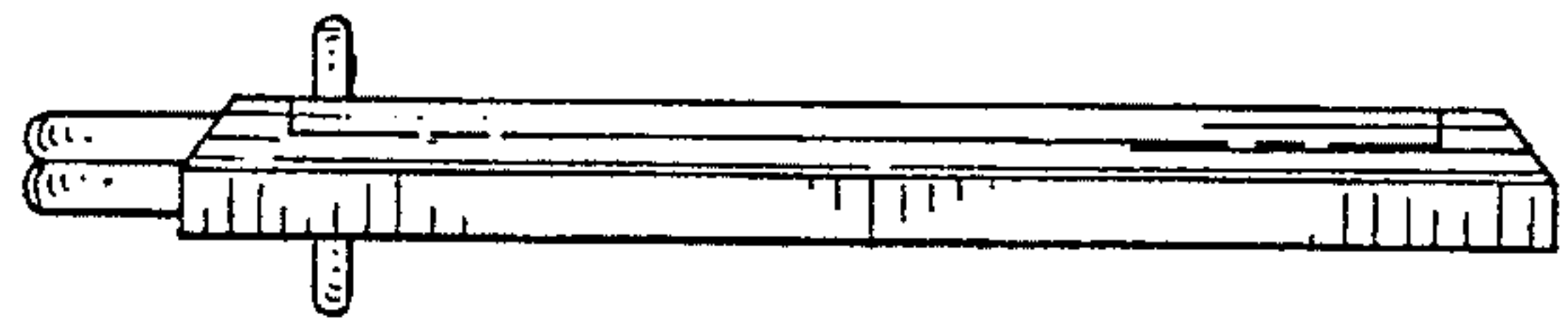


FIG. 6

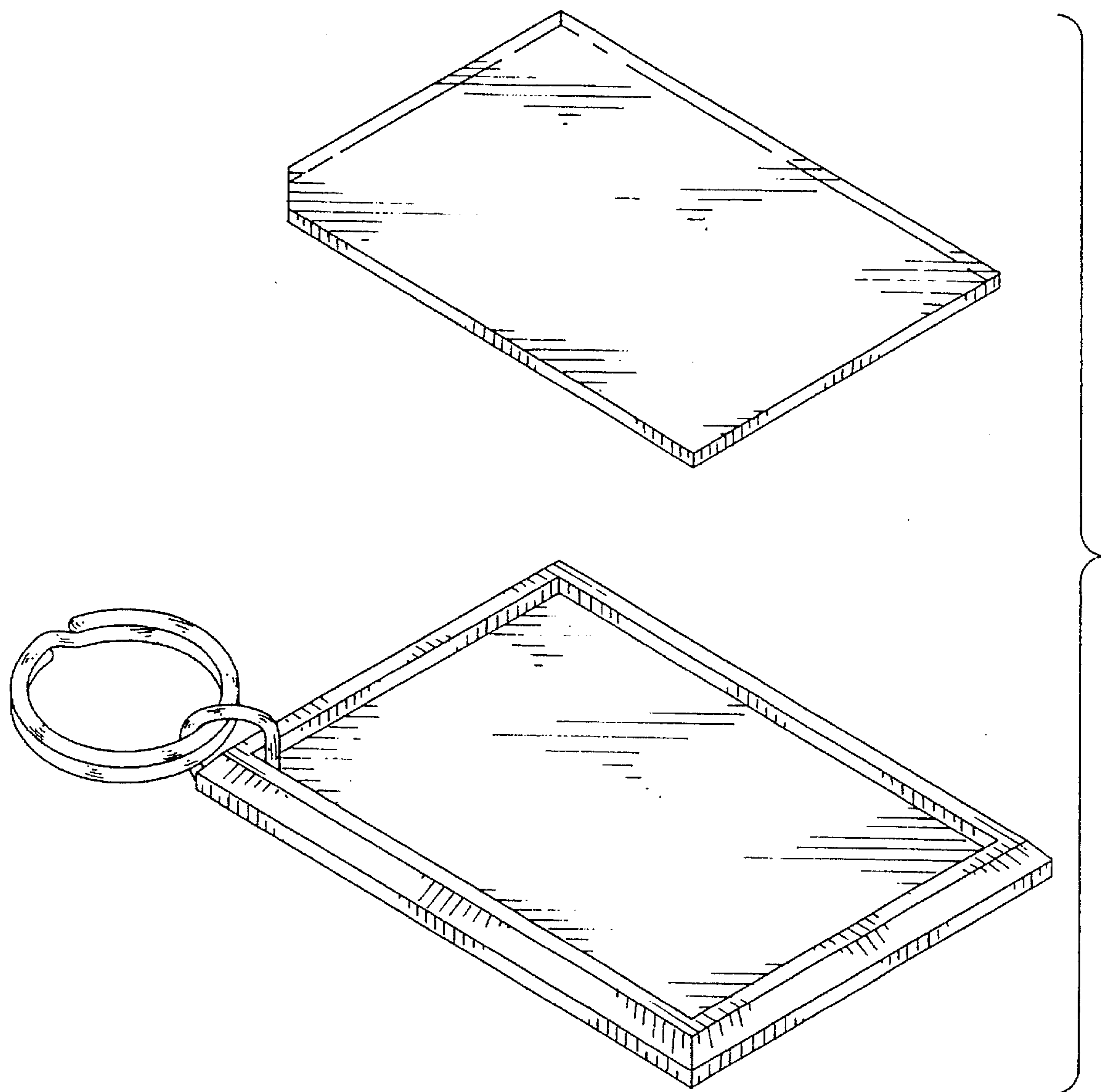


FIG. 7