



US00D369448S

United States Patent [19]
de Blois et al.

[11] **Patent Number: Des. 369,448**

[45] **Date of Patent: **Apr. 30, 1996**

[54] **BRUSH ATTACHMENT FOR A VACUUM CLEANER**

D. 359,148 6/1995 Henrie D32/33
5,440,782 8/1995 Yamashita 15/420

[75] Inventors: **Bryan P. de Blois**, West Haven; **Stuart Naft**, Fairfield; **Anthony B. Rorke**, Guilford, all of Conn.

FOREIGN PATENT DOCUMENTS

1096006 12/1960 Germany 15/422.1

[73] Assignee: **Black & Decker Inc.**, Newark, Del.

Primary Examiner—Ruth McInroy
Attorney, Agent, or Firm—Barry E. Deutsch

[**] Term: **14 Years**

[57] **CLAIM**

[21] Appl. No.: **30,899**

The ornamental design for a brush attachment for a vacuum cleaner, as shown and described.

[22] Filed: **Nov. 14, 1994**

DESCRIPTION

[52] U.S. Cl. **D32/33**; D4/115

[58] Field of Search D32/31-33; 15/415.1-422.1, 15/322, 405, 410, 402

FIG. 1 is a perspective view of a brush attachment for a vacuum cleaner, taken from the top, front and right side thereof, showing our new design;
FIG. 2 is a top plan view thereof;
FIG. 3 is a right side elevational view thereof;
FIG. 4 is a bottom plan view thereof;
FIG. 5 is a left side elevational view thereof;
FIG. 6 is a front elevational view thereof; and,
FIG. 7 is a rear elevational view thereof.

[56] **References Cited**

U.S. PATENT DOCUMENTS

D. 244,274	5/1977	Winard et al.	D32/33
D. 304,525	11/1989	Kitts et al.	D4/115
D. 312,730	12/1990	Ranan	D4/115
D. 350,852	9/1994	Ferrazzutti	D32/33
D. 355,059	1/1995	Ennis	D32/33

1 Claim, 3 Drawing Sheets

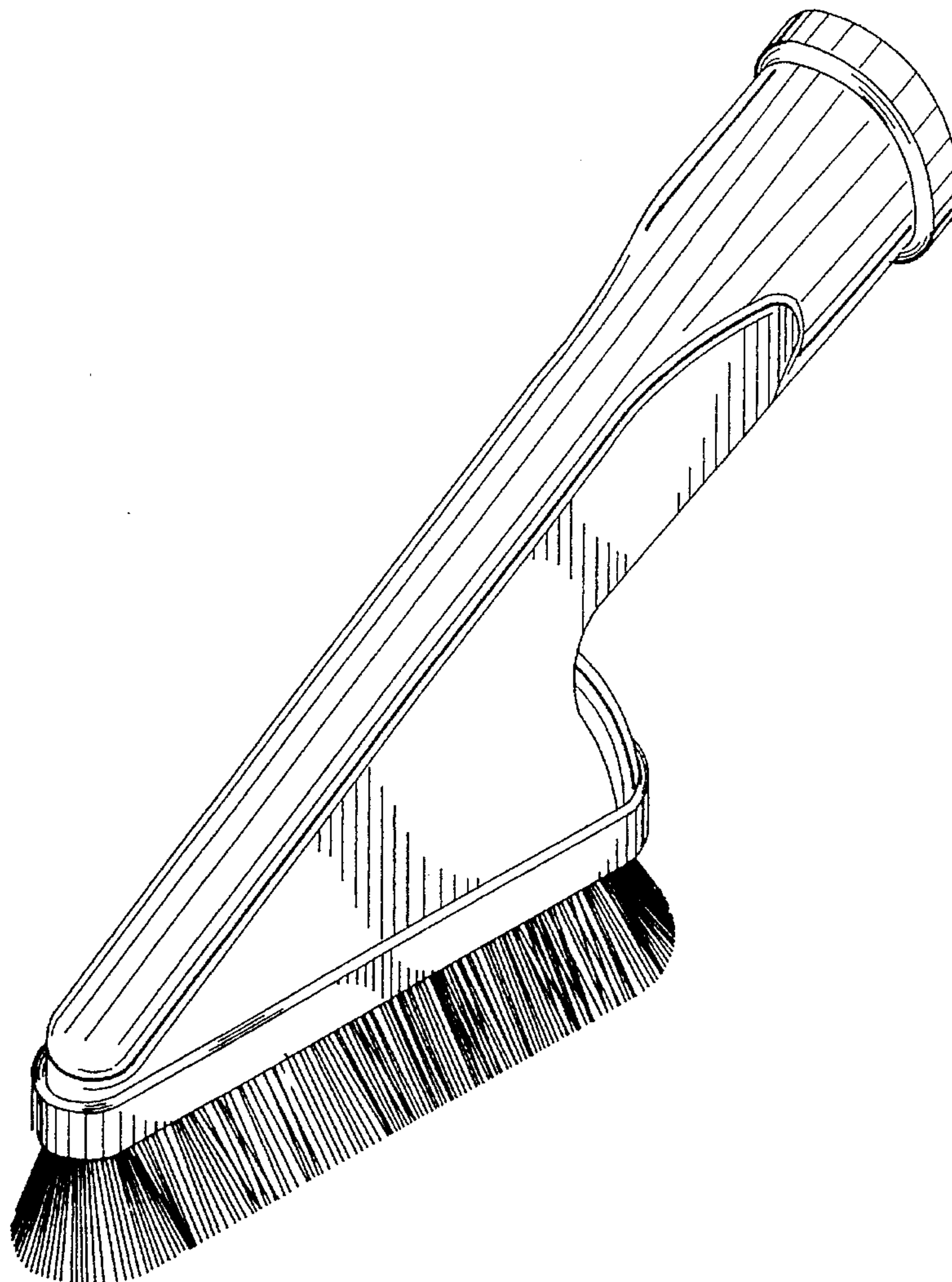


FIG. 1

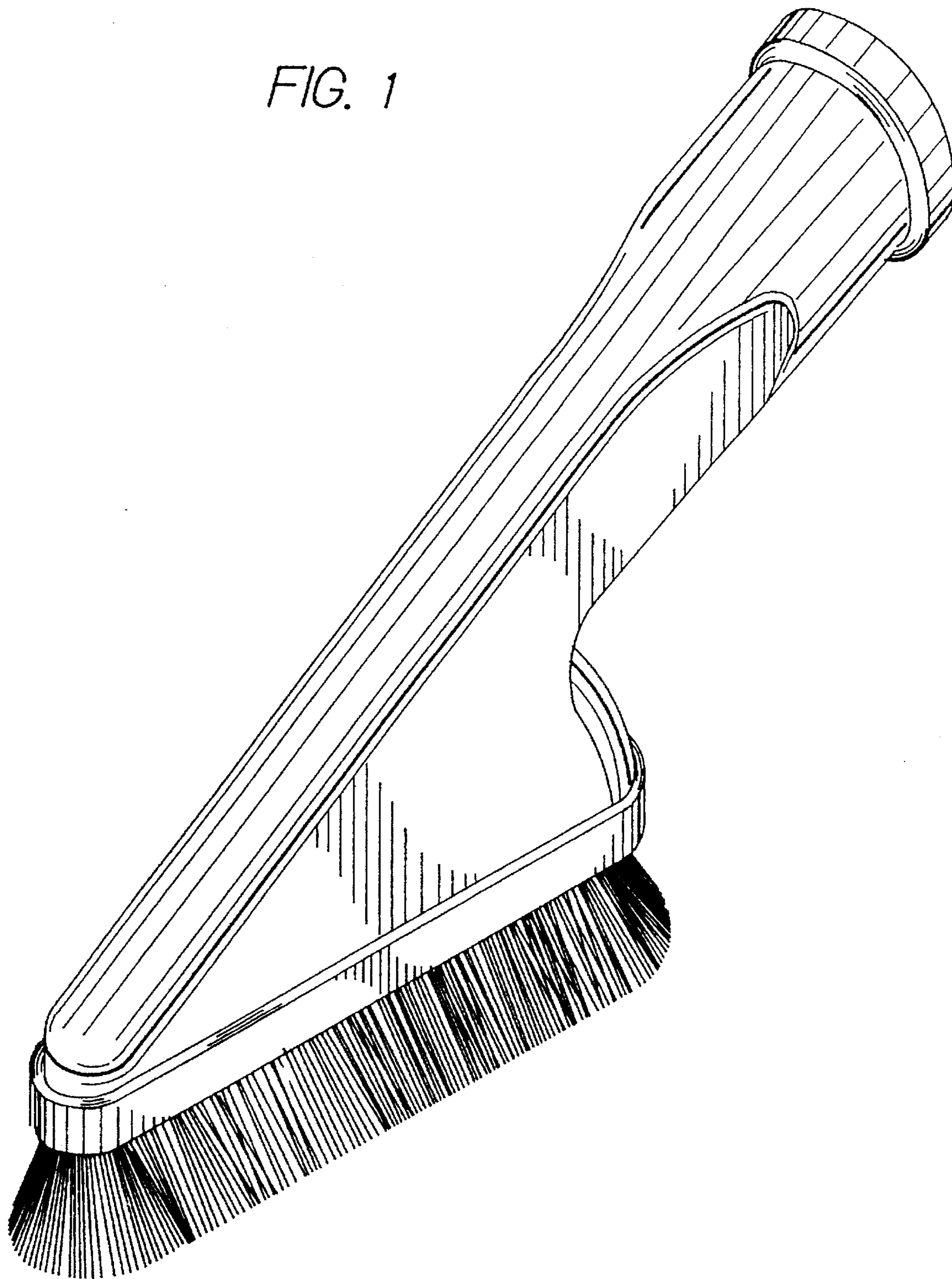


FIG. 2

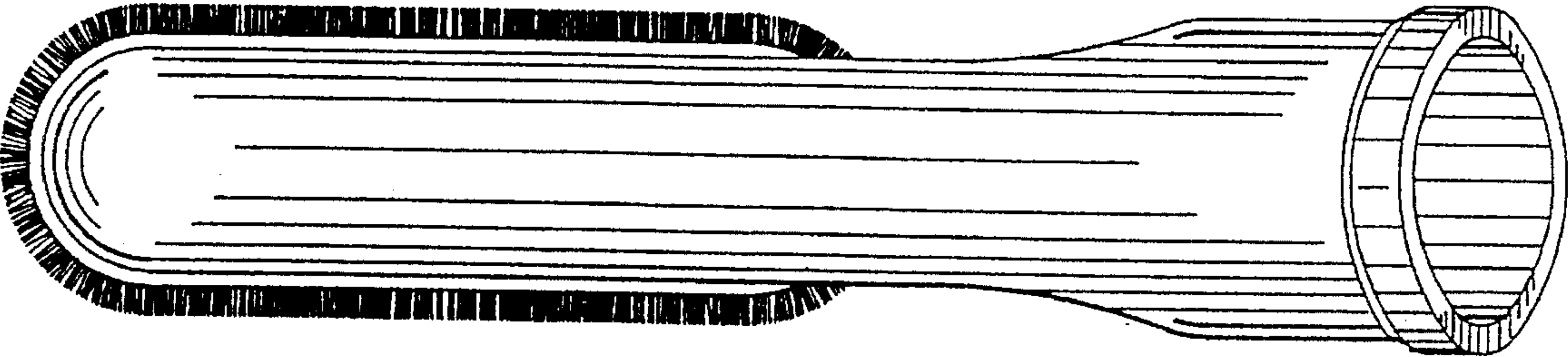


FIG. 3

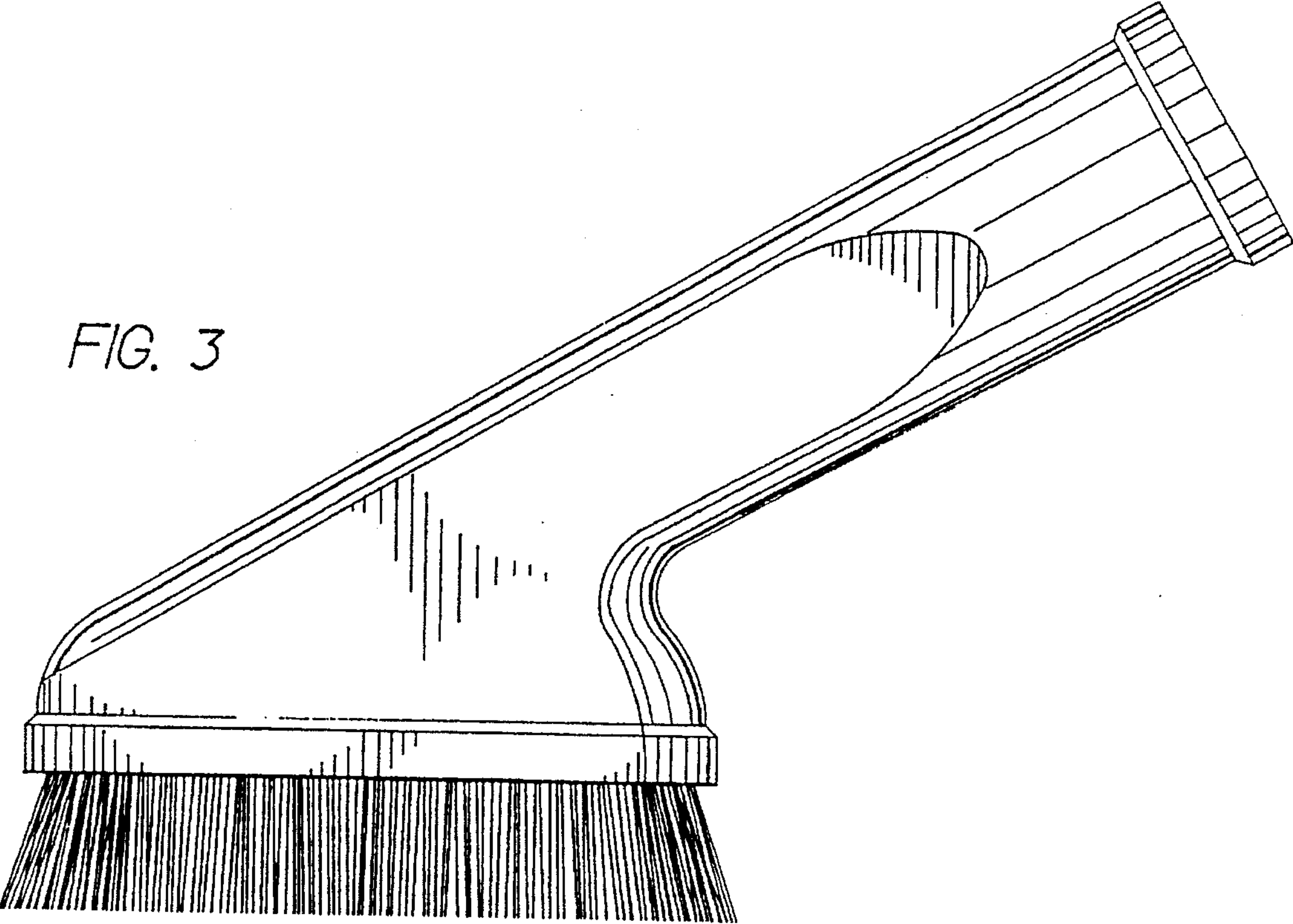
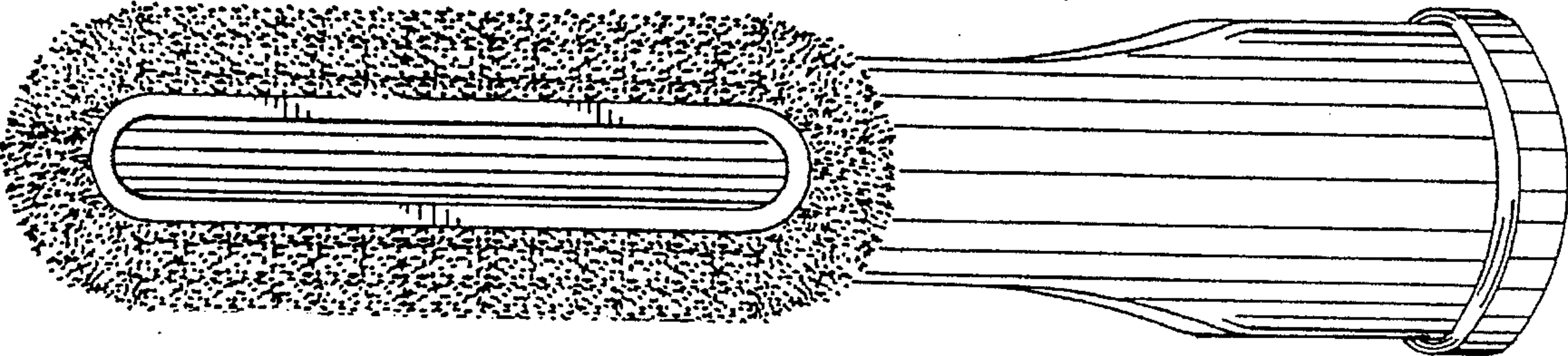


FIG. 4



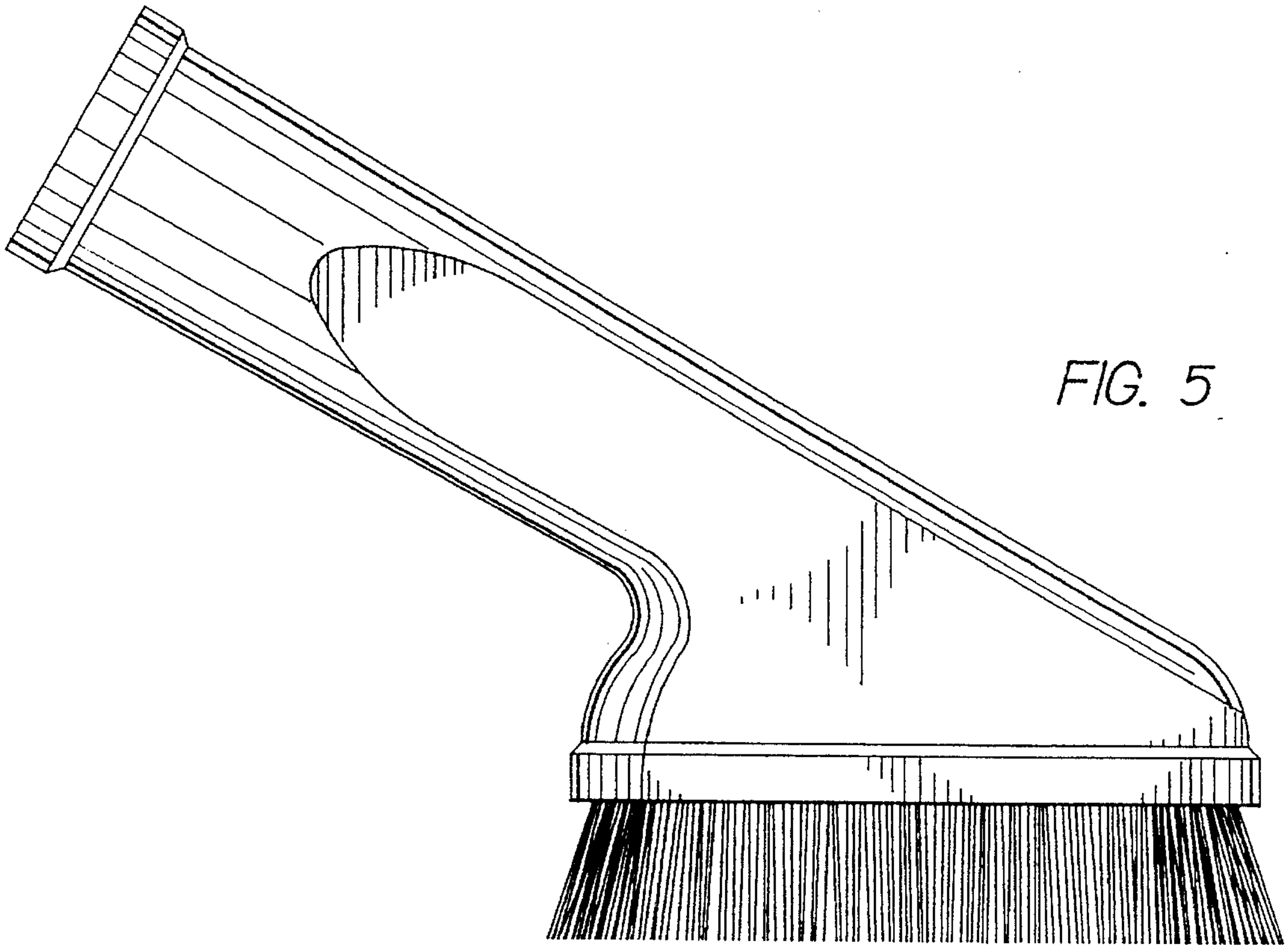


FIG. 5

FIG. 6

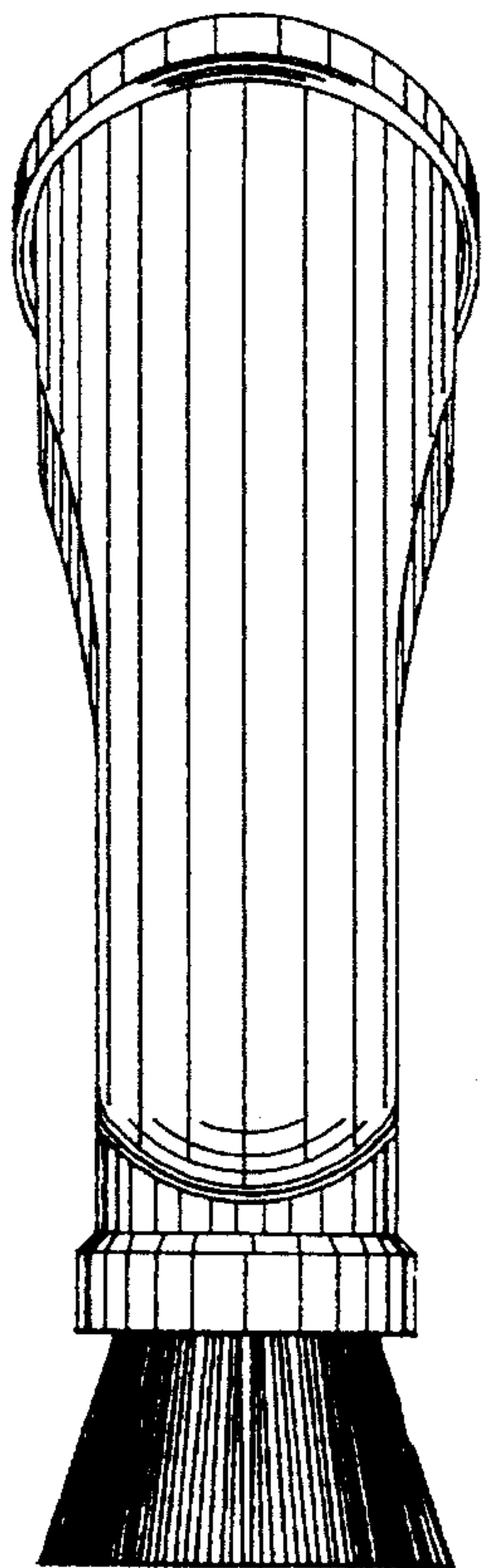


FIG. 7

