



US00D369444S

United States Patent [19]

Ubdegrove et al.

[11] Patent Number: **Des. 369,444**

[45] Date of Patent: ****Apr. 30, 1996**

[54] **ANIMAL FECES RETRIEVER**

[76] Inventors: **Monte Ubdegrove; Jason Ubdegrove**,
both of SS3 Site 6 Comp 69, Prince
George, B.C., Canada, V2N-2S7

[**] Term: **14 Years**

[21] Appl. No.: **35,828**

[22] Filed: **Mar. 7, 1995**

[52] U.S. Cl. **D30/162; D8/4**

[58] Field of Search **D8/4; D30/162;**
294/1.4, 50.8, 50.9

[56] **References Cited**

U.S. PATENT DOCUMENTS

D. 253,915	1/1980	Hennessey et al.	D30/162
4,194,777	3/1980	Carns	294/1.4
4,210,351	7/1980	Orofino .	
4,225,174	9/1980	Hennessey et al. .	
4,741,566	5/1988	Byung-Do et al. .	

OTHER PUBLICATIONS

Doggie Dooley Brochure, Jun. 14, 1993, cover page, waste
scooper located at right side of page.

Primary Examiner—A. Hugo Word

Assistant Examiner—Holly Baynham
Attorney, Agent, or Firm—Dennis H. Lambert

[57] **CLAIM**

The ornamental design for an animal feces retriever, as
shown and described.

DESCRIPTION

FIG. 1 is a front, top and side perspective view of the animal
feces retriever embodying the design of the present inven-
tion;

FIG. 2 is a left end elevational view thereof, as viewed in
FIG. 1;

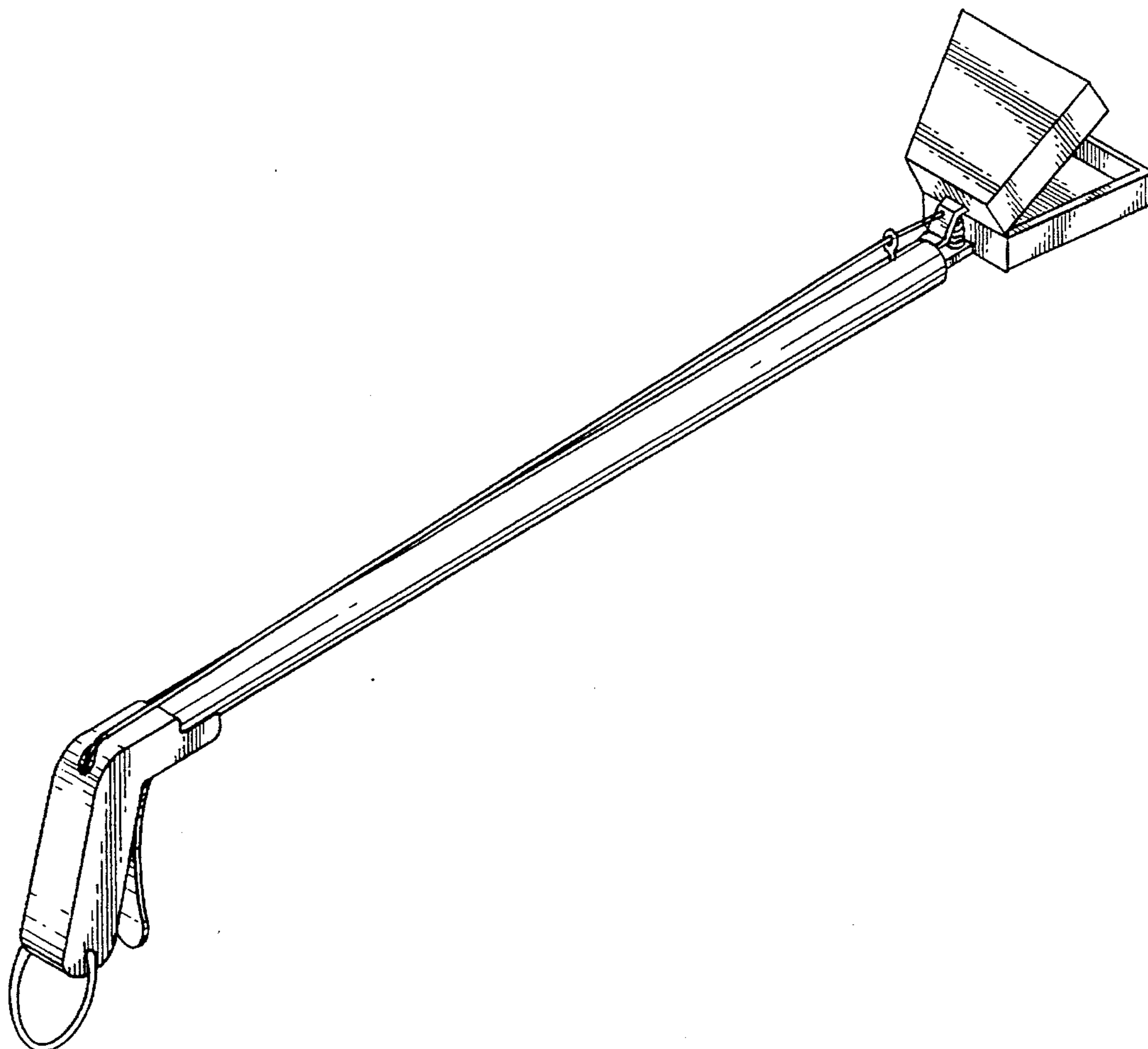
FIG. 3 is a right end elevational view thereof, as viewed in
FIG. 1;

FIG. 4 is a side elevational view thereof, the side opposite
being a mirror image of the side shown in FIG. 4;

FIG. 5 is a top plan view thereof; and,

FIG. 6 is a bottom plan view thereof.

1 Claim, 2 Drawing Sheets



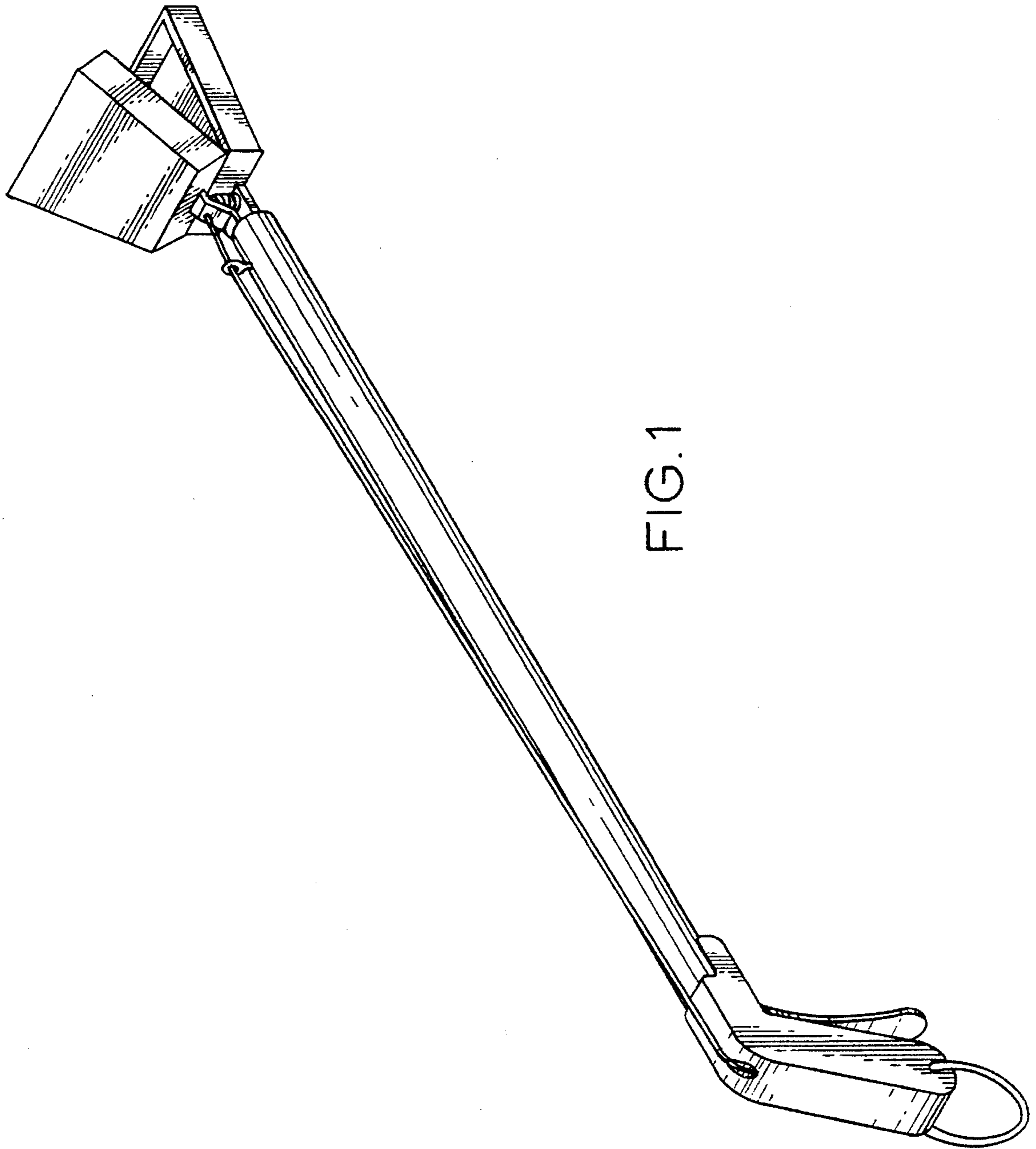


FIG.1

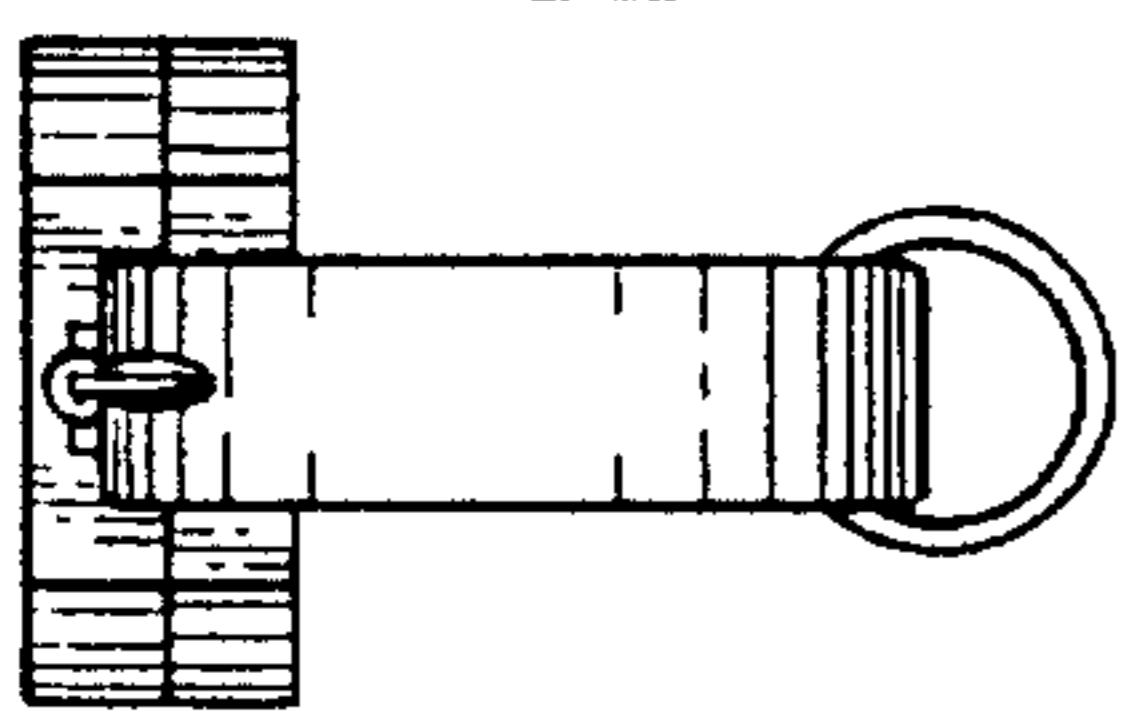


FIG. 2

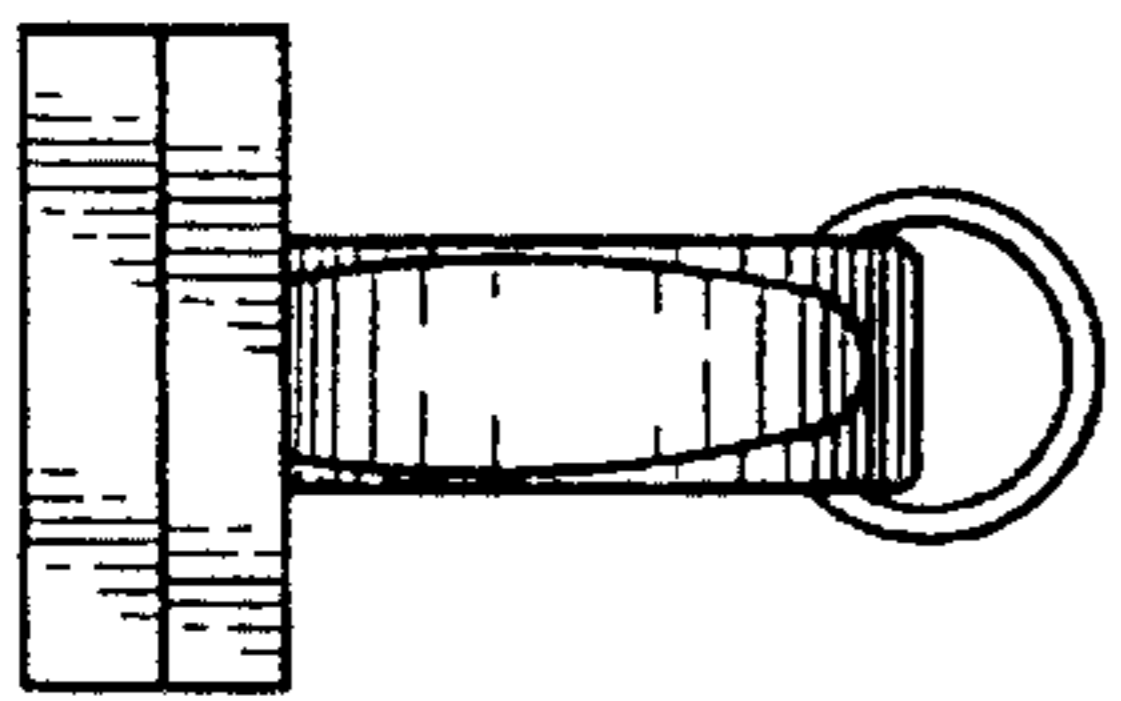


FIG. 3

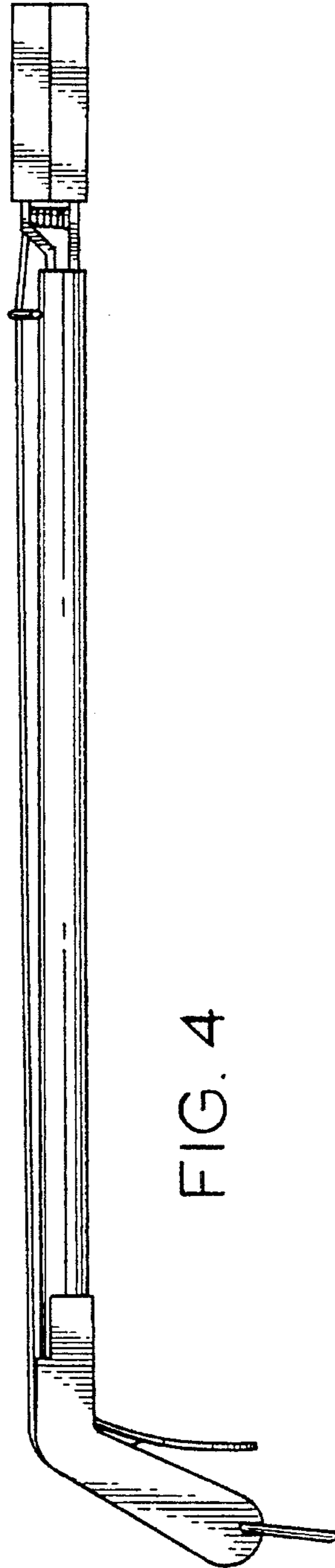


FIG. 4

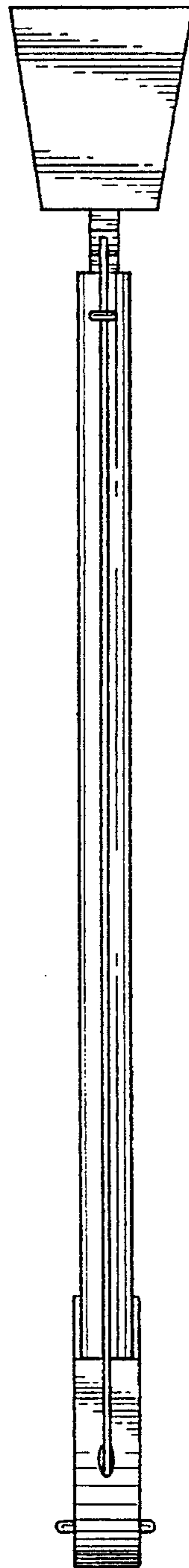


FIG. 5

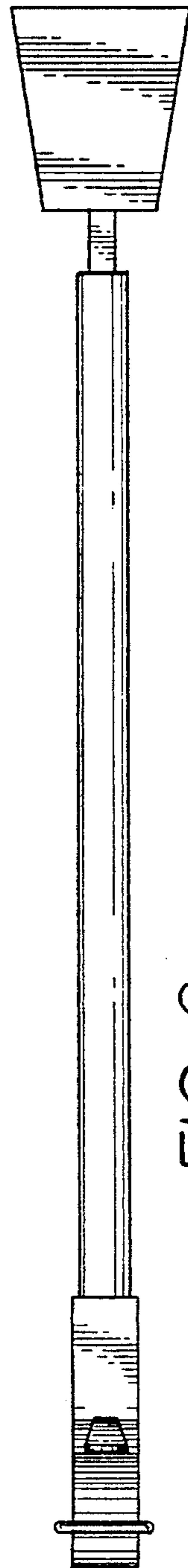


FIG. 6