



US00D369440S

# United States Patent [19]

Mariano

[11] Patent Number: **Des. 369,440**

[45] Date of Patent: **\*\*Apr. 30, 1996**

[54] **THREE CUFF HANDCUFFS**

3,423,871 1/1969 Foley ..... 70/16  
4,249,401 2/1981 Daleo ..... 70/16

[76] Inventor: **John R. Mariano**, Deer Hill Rd., P.O. Box 106, South Newfane, Vt. 05351

*Primary Examiner*—Brian N. Vinson

[\*\*] Term: **14 Years**

[57] **CLAIM**

[21] Appl. No.: **31,040**

The ornamental design for a three cuff handcuffs, as shown and described.

[22] Filed: **Nov. 16, 1994**

### DESCRIPTION

[52] U.S. Cl. .... **D29/100; D8/333**

[58] Field of Search ..... **D29/100; D8/330, D8/331, 333; 70/14-16**

FIG. 1 is a front elevational view of the three cuff handcuffs showing my new design;

FIG. 2 is a rear elevational view thereof;

FIG. 3 is a left side elevational view thereof;

FIG. 4 is a right side elevational view thereof;

FIG. 5 is a top plan view thereof;

FIG. 6 is a bottom plan view thereof; and,

FIG. 7 is an isometric view thereof.

### [56] References Cited

#### U.S. PATENT DOCUMENTS

D. 263,201	3/1982	Finn	.....	D8/333	X
D. 345,292	3/1994	Tipton	.....	D8/333	X
1,823,697	9/1931	Nenstiehl	.....	70/15	X
3,392,554	7/1968	Williamson	.....	70/16	

**1 Claim, 4 Drawing Sheets**

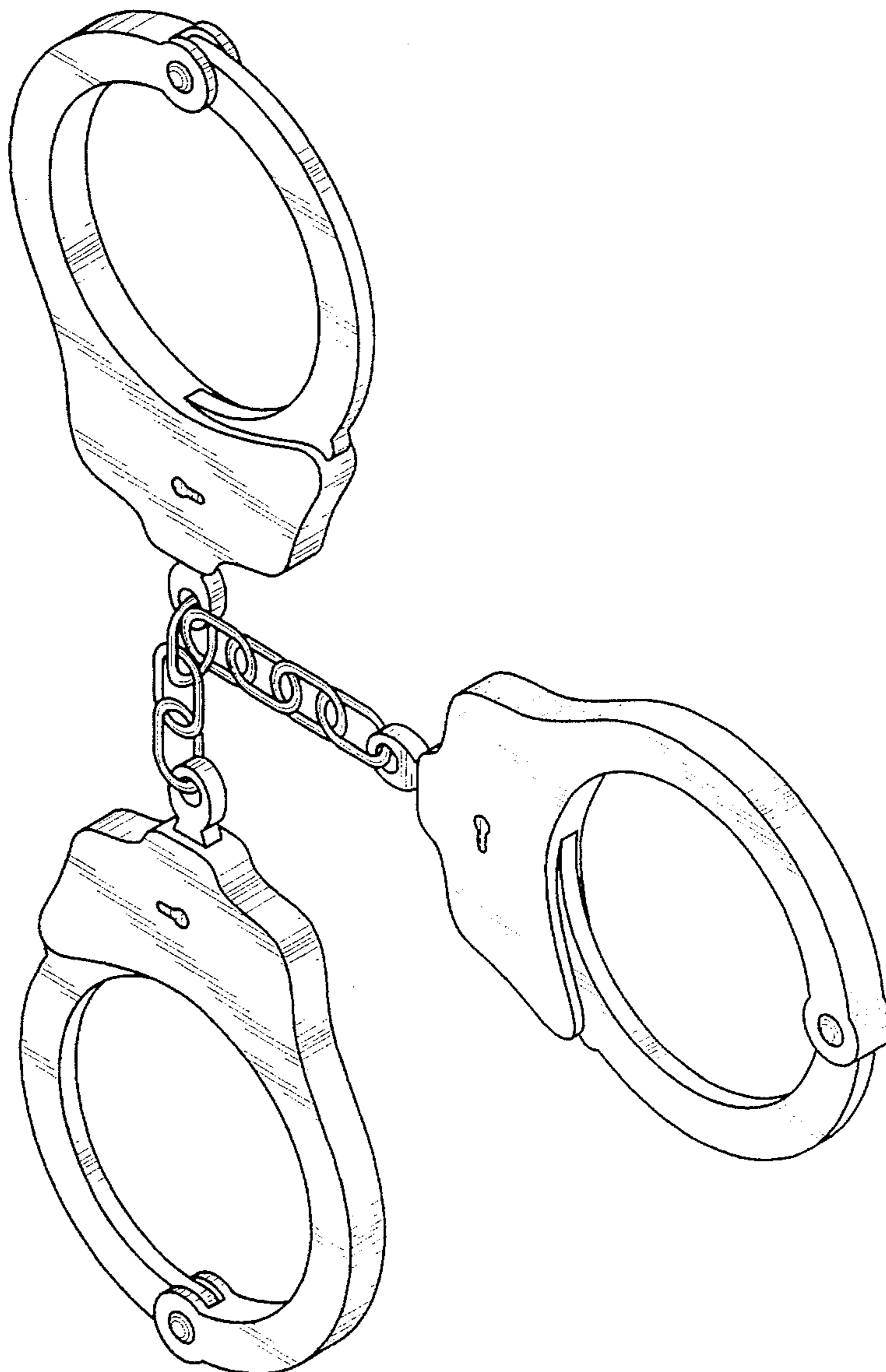


FIG. 1

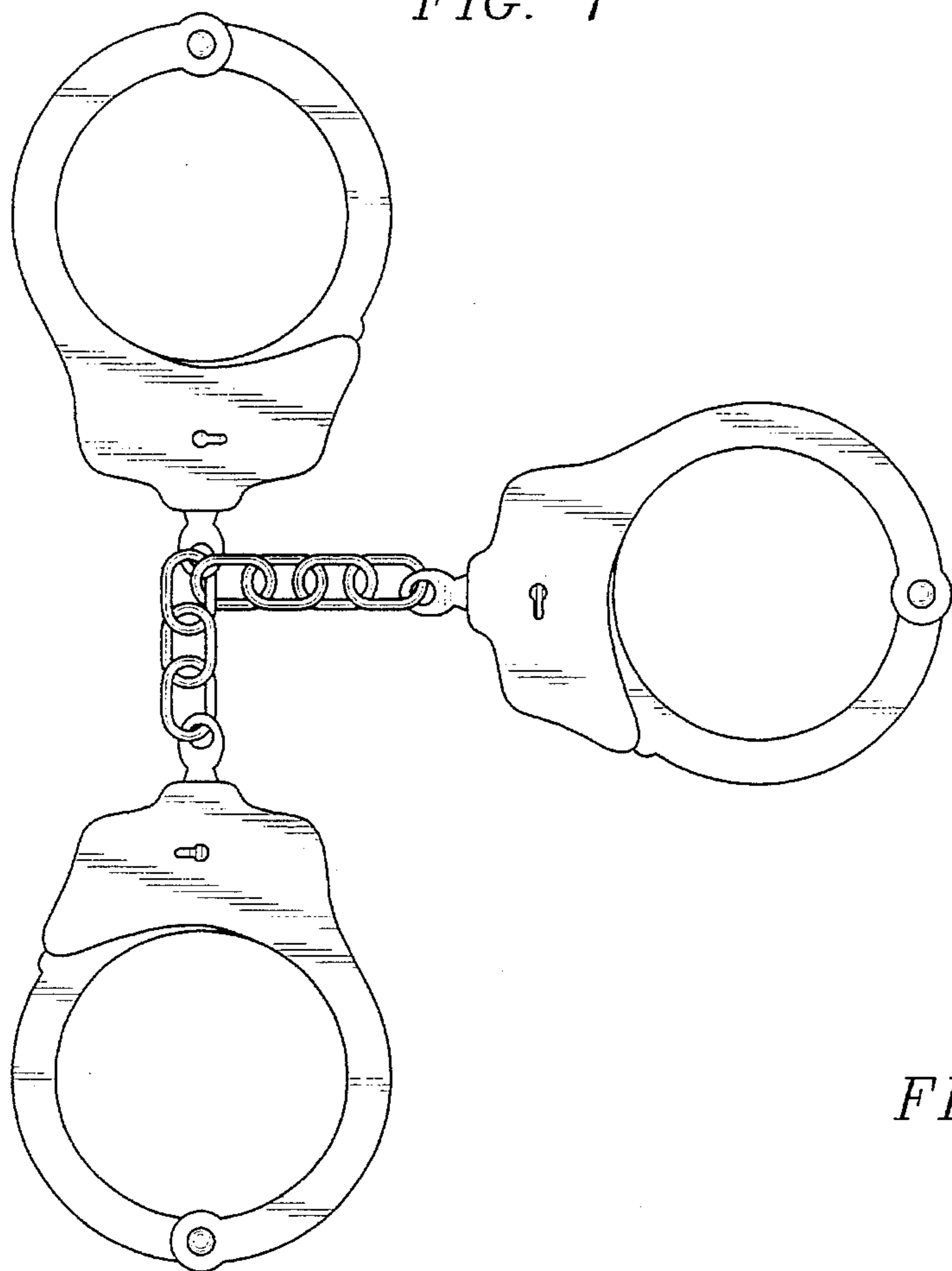


FIG. 2

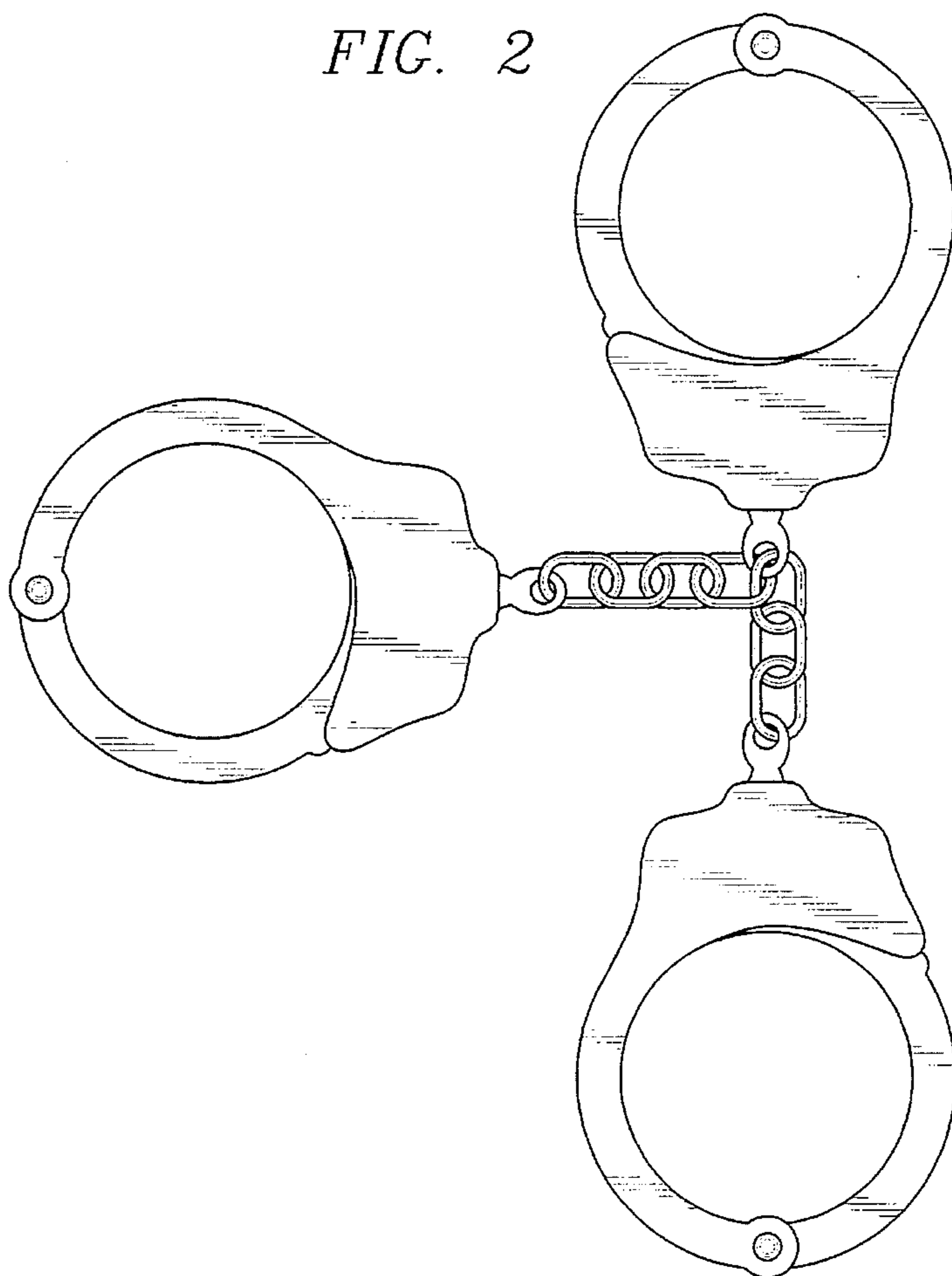
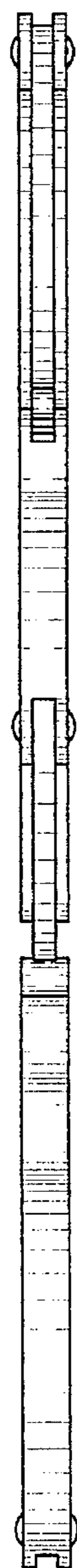


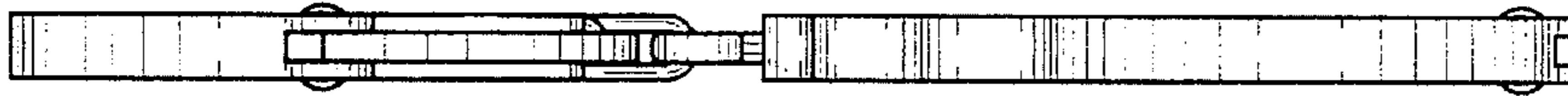
FIG. 3



FIG. 4



*FIG. 5*



*FIG. 6*



FIG. 7

