



US00D369433S

United States Patent [19]
Cochran

[11] **Patent Number: Des. 369,433**

[45] **Date of Patent: **Apr. 30, 1996**

[54] **MOUNTING PLATE FOR A LIGHTING STANCHION**

4,245,807 1/1981 York 248/310

[75] Inventor: **Robert C. Cochran**, Stanford, Ky.

Primary Examiner—A. Hugo Word
Assistant Examiner—Holly Baynham
Attorney, Agent, or Firm—King and Schickli

[73] Assignee: **Cochran Welding**, Stanford, Ky.

[57] **CLAIM**

[**] Term: **14 Years**

The oramental design for the mounting plate for a lighting stanchion, as shown.

[21] Appl. No.: **34,372**

DESCRIPTION

[22] Filed: **Feb. 2, 1995**

[52] **U.S. Cl.** **D26/138**; D8/354

[58] **Field of Search** D8/349, 354; D26/138;
362/296, 399; 248/214, 205.1, 218.4, 300

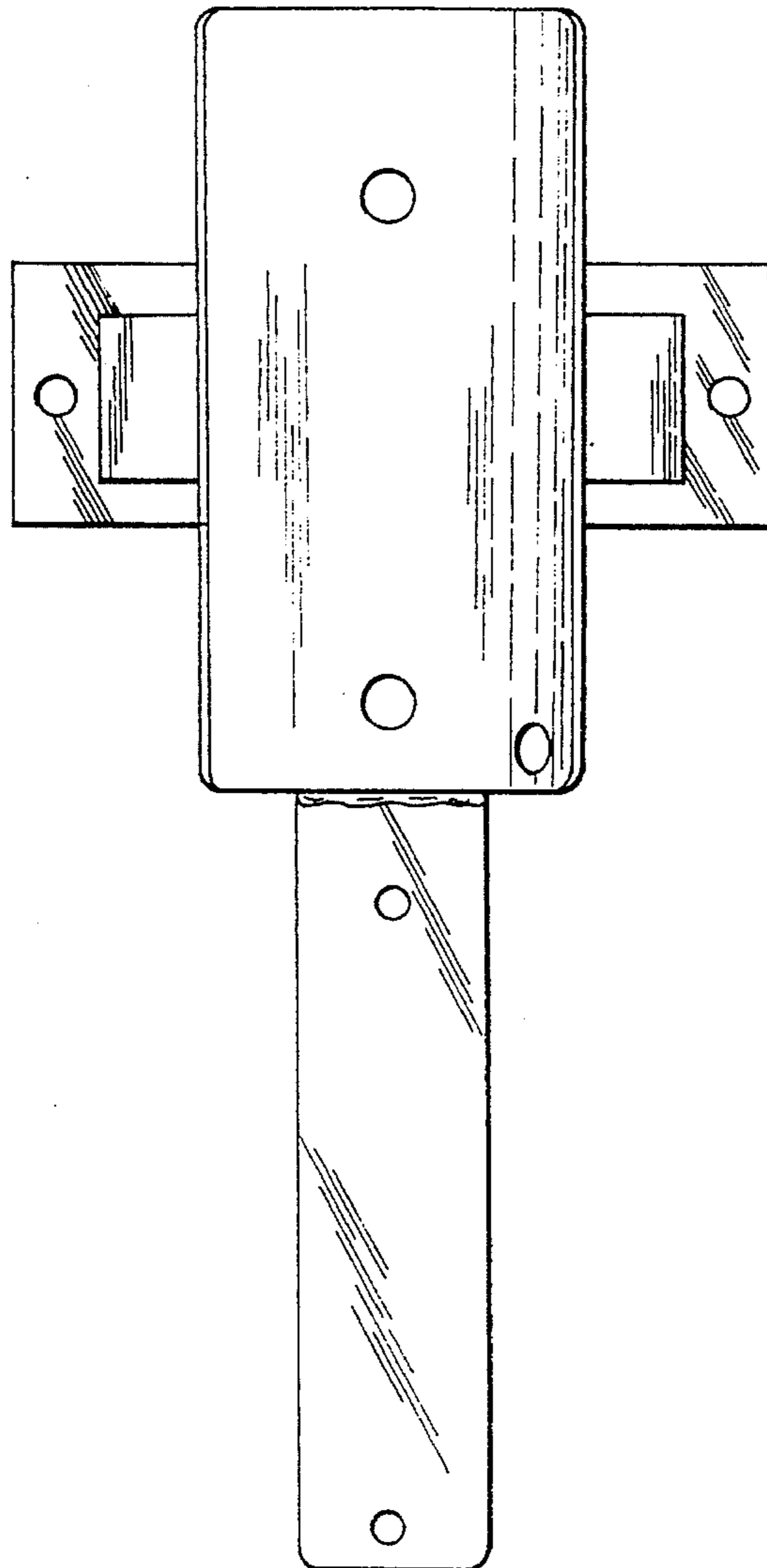
FIG. 1 is a front elevational view of the mounting plate for a lighting stanchion of the present invention; FIG. 2 is a rear elevational view thereof; FIG. 3 is a left side elevational view thereof; FIG. 4 is a right side elevational view thereof; FIG. 5 is a top plan view thereof; and FIG. 6 is a bottom plan view thereof.

[56] **References Cited**

U.S. PATENT DOCUMENTS

- D. 176,703 1/1956 Snively 248/300 X
- D. 359,225 6/1995 Reed D26/138

1 Claim, 2 Drawing Sheets



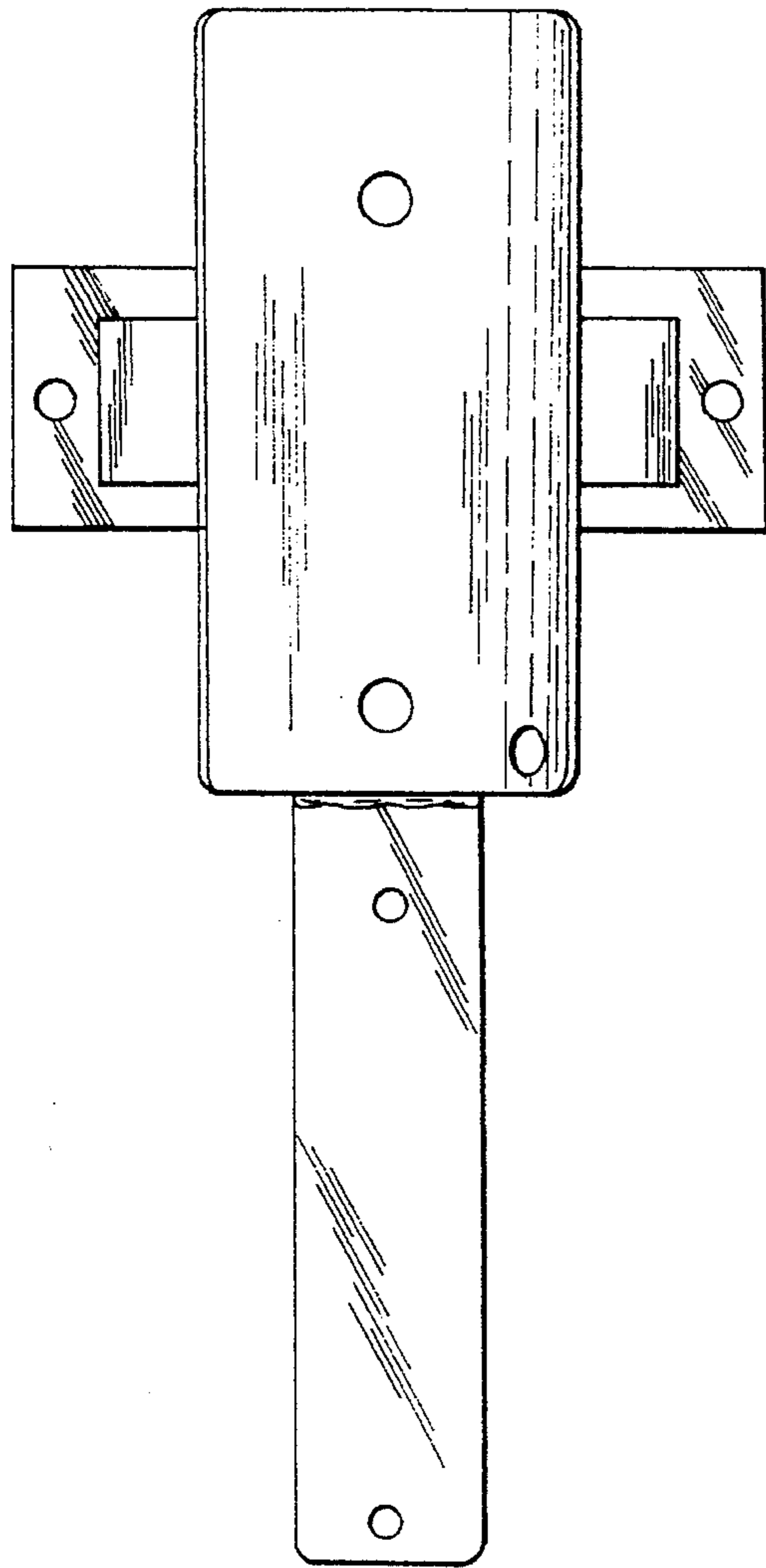


Fig. 1

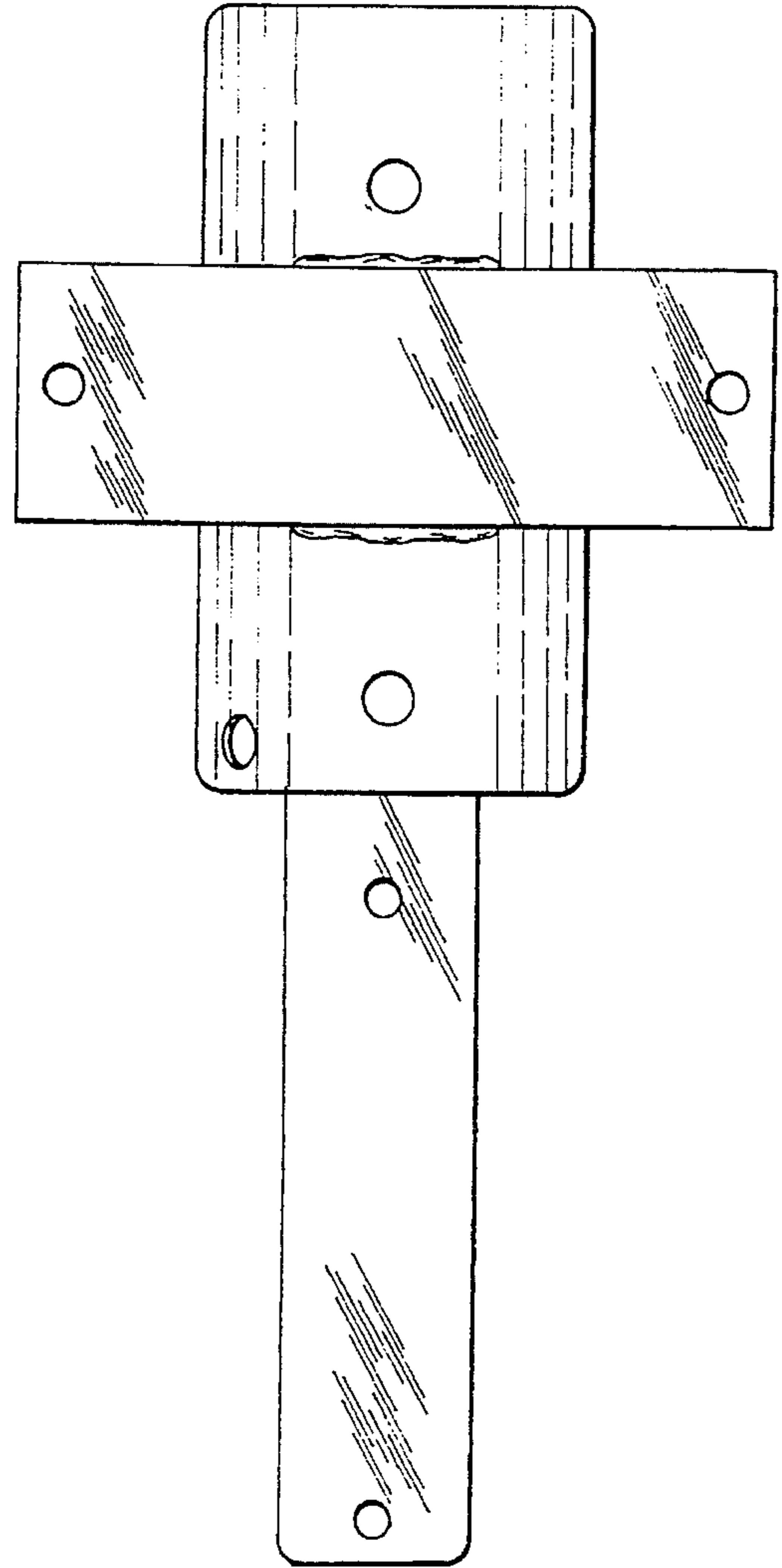


Fig. 2

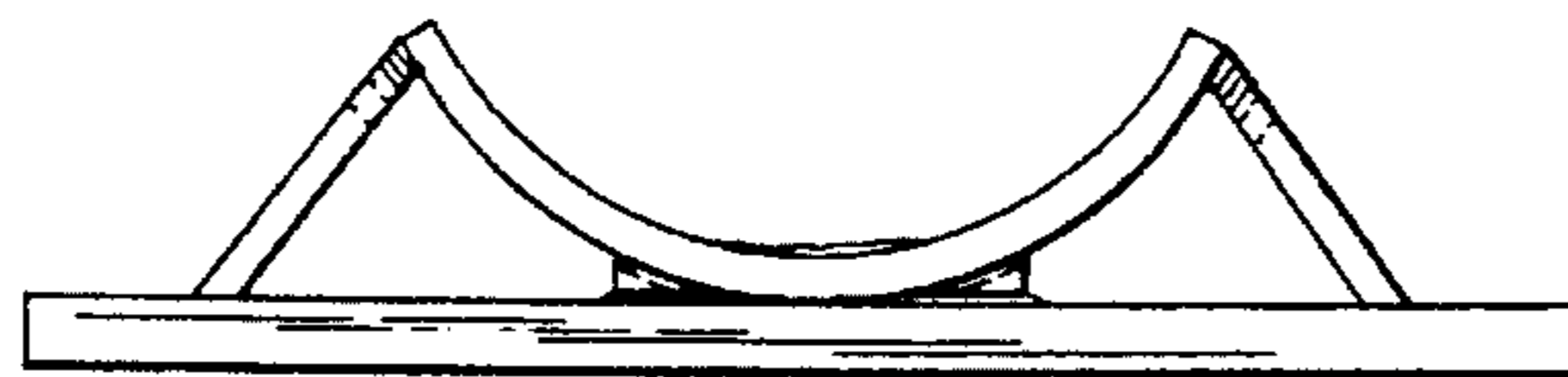


Fig. 5

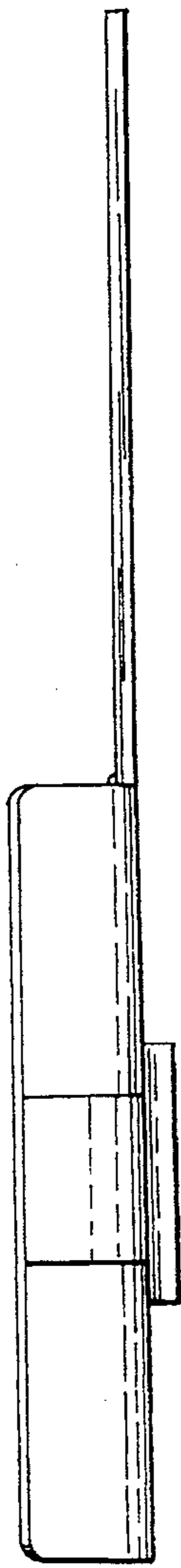


Fig. 3

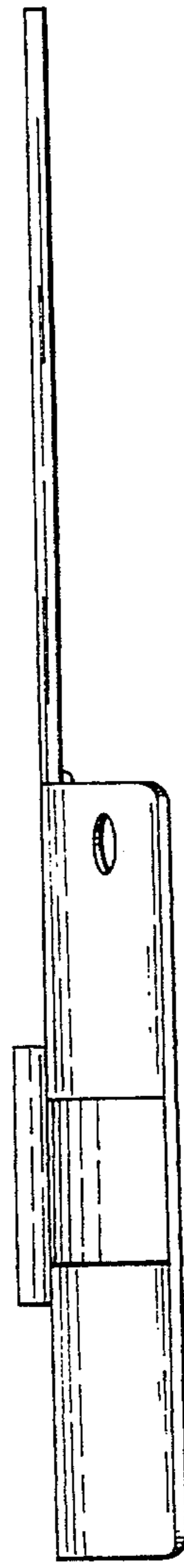


Fig. 4

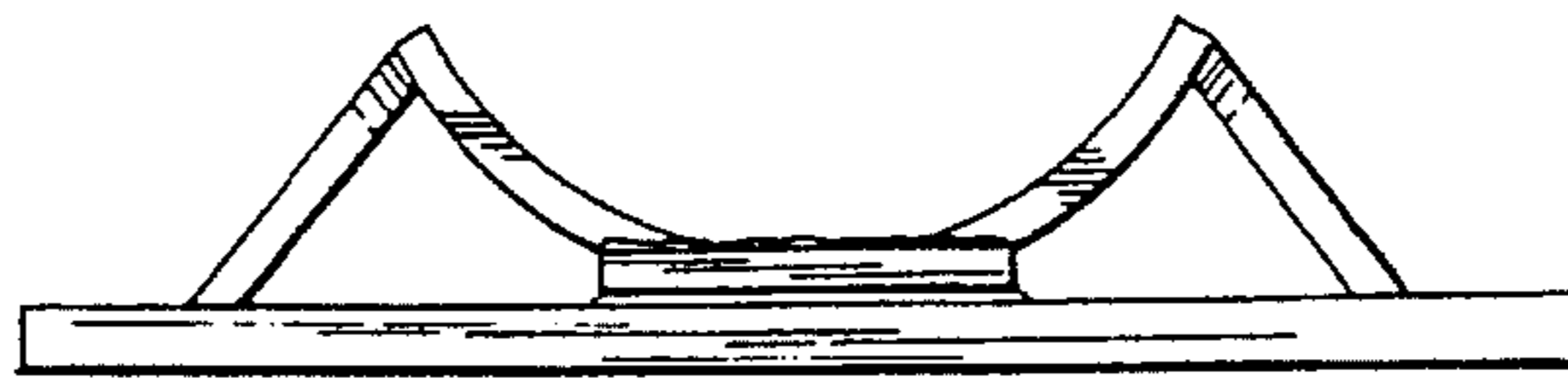


Fig. 6

UNITED STATES PATENT AND TRADEMARK OFFICE
CERTIFICATE OF CORRECTION

PATENT NO. : Des. 369,433
DATED : April 30, 1996
INVENTOR(S) : Robert C. Cochran

It is certified that error appears in the above-identified patent and that said Letters Patent is hereby corrected as shown below:

On the title page: Item [54] and Column 1, line 1, "Lighing"
to --LIGHTING--.

Signed and Sealed this
Twenty-third Day of July, 1996

Attest:



BRUCE LEHMAN

Attesting Officer

Commissioner of Patents and Trademarks