



US00D369431S

United States Patent [19]

Muellenmeister

[11] Patent Number: **Des. 369,431**

[45] Date of Patent: ****Apr. 30, 1996**

[54] **LAMP HEAD**

[75] Inventor: **Daniel Muellenmeister**, Havixbeck, Germany

[73] Assignee: **Herbert Waldmann GmbH & Co.**, Villenen-Schwenningen, Germany

[**] Term: **14 Years**

[21] Appl. No.: **31,106**

[22] Filed: **Nov. 17, 1994**

[30] **Foreign Application Priority Data**

May 31, 1994 [XH] Hague Agreement DM/029 710

[52] U.S. Cl. **D26/118; D26/65; D26/128**

[58] Field of Search D26/60-66, 118, D26/128; 362/269, 274, 275, 285, 413, 418, 419, 427, 396

[56] **References Cited**

U.S. PATENT DOCUMENTS

- D. 326,334 5/1992 Meyer et al. D26/65
- D. 345,027 3/1994 Huang D26/65
- 5,333,103 7/1994 Cvek 362/413

Primary Examiner—Susan J. Lucas
Attorney, Agent, or Firm—Eugene E. Renz, Jr.

[57] **CLAIM**

The ornamental design for a lamp head, as shown and described.

DESCRIPTION

FIG. 1 is a side elevational view of a lamp head;
 FIG. 2 is a bottom plan view of the lamp head on an enlarged scale;
 FIG. 3 is a top plan view thereof;
 FIG. 4 is a side elevational view thereof;
 FIG. 5 is a rear elevational view thereof;
 FIG. 6 is a front elevational view thereof;
 FIG. 7 is a side elevational view of a second embodiment of my new design;
 FIG. 8 is a bottom plan view of the lamp head on an enlarged scale;
 FIG. 9 is a top plan view thereof;
 FIG. 10 is a rear elevational view thereof; and,
 FIG. 11 is a front elevational view thereof.

The broken lines are shown for illustrative purposes only and form no part of the claimed design.

1 Claim, 4 Drawing Sheets

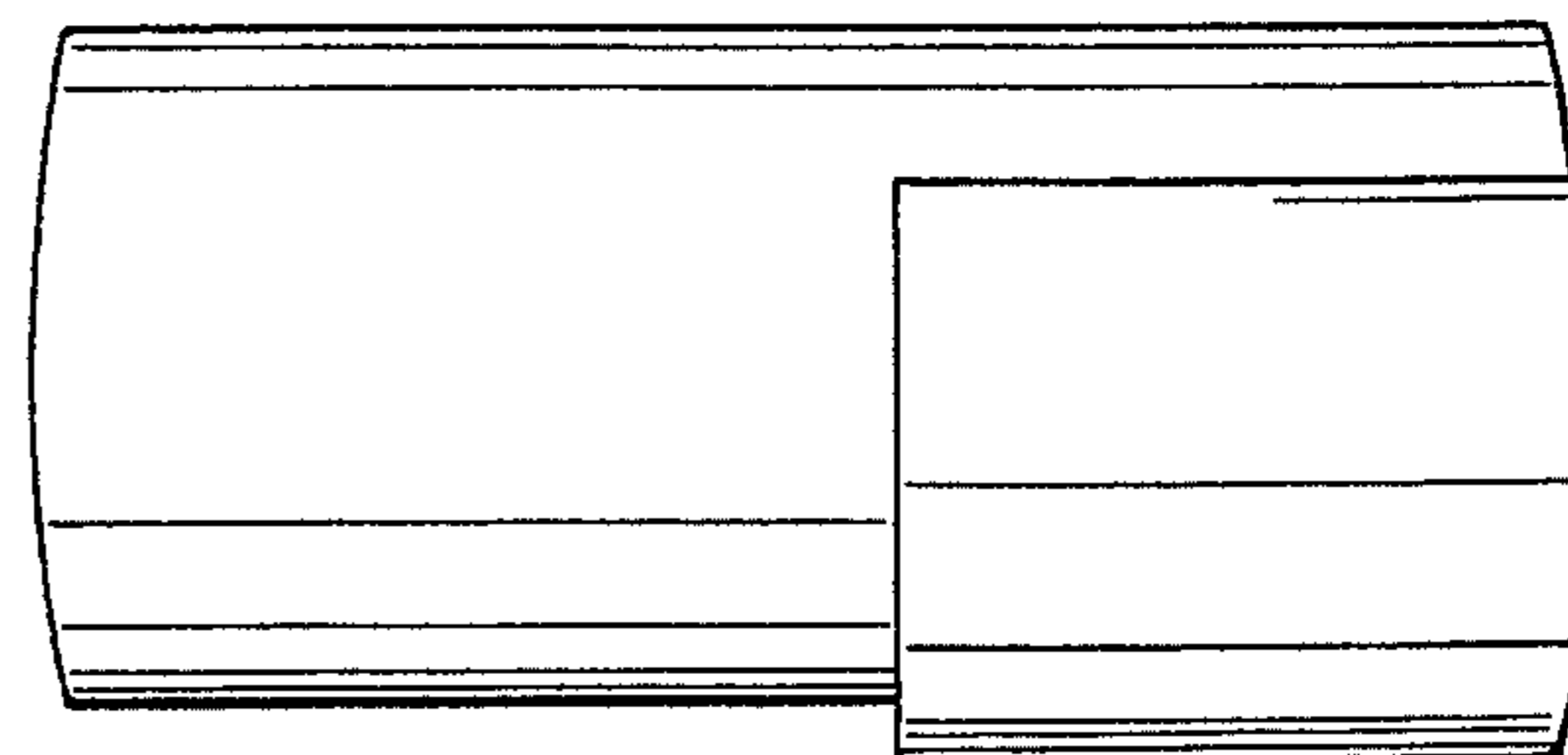
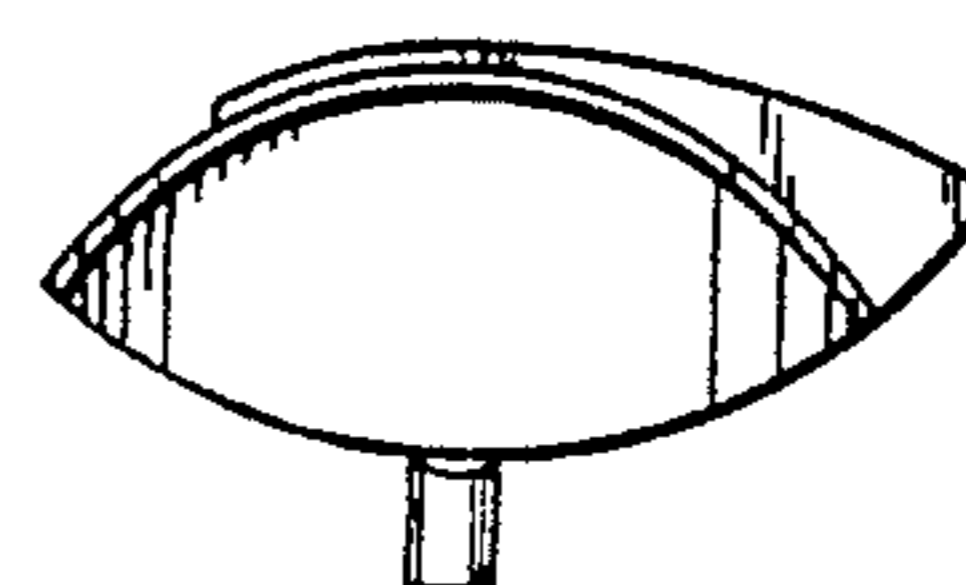
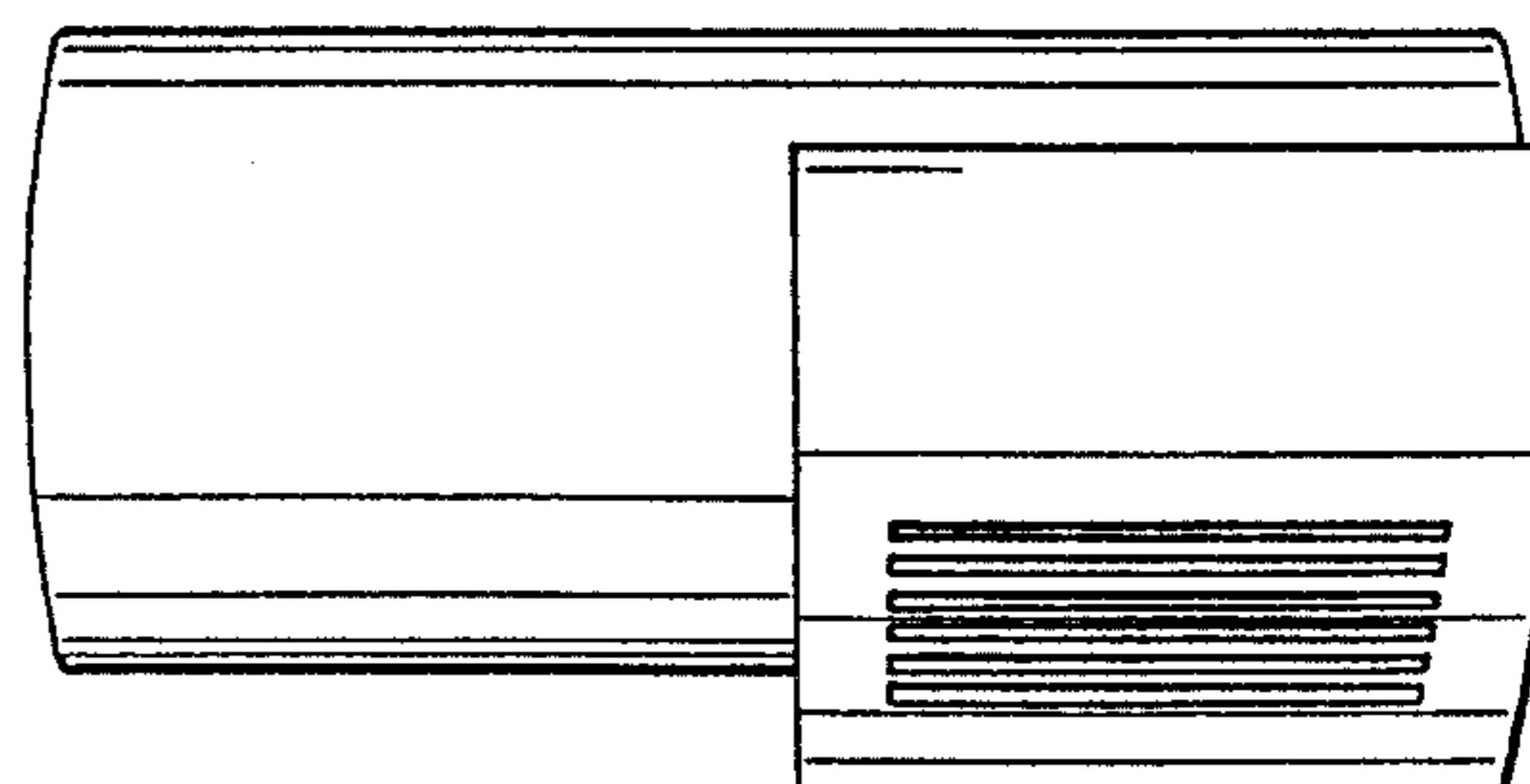
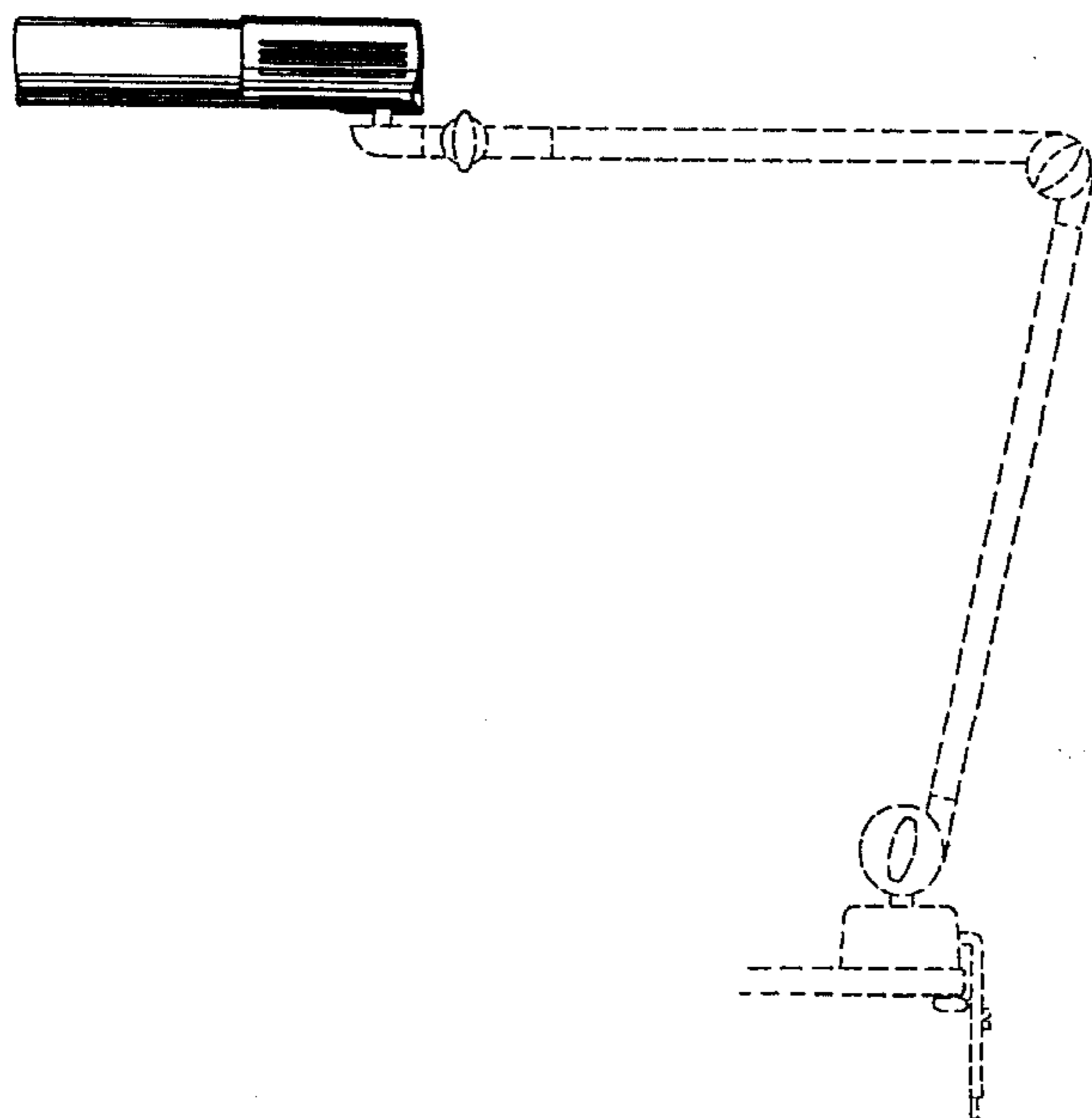
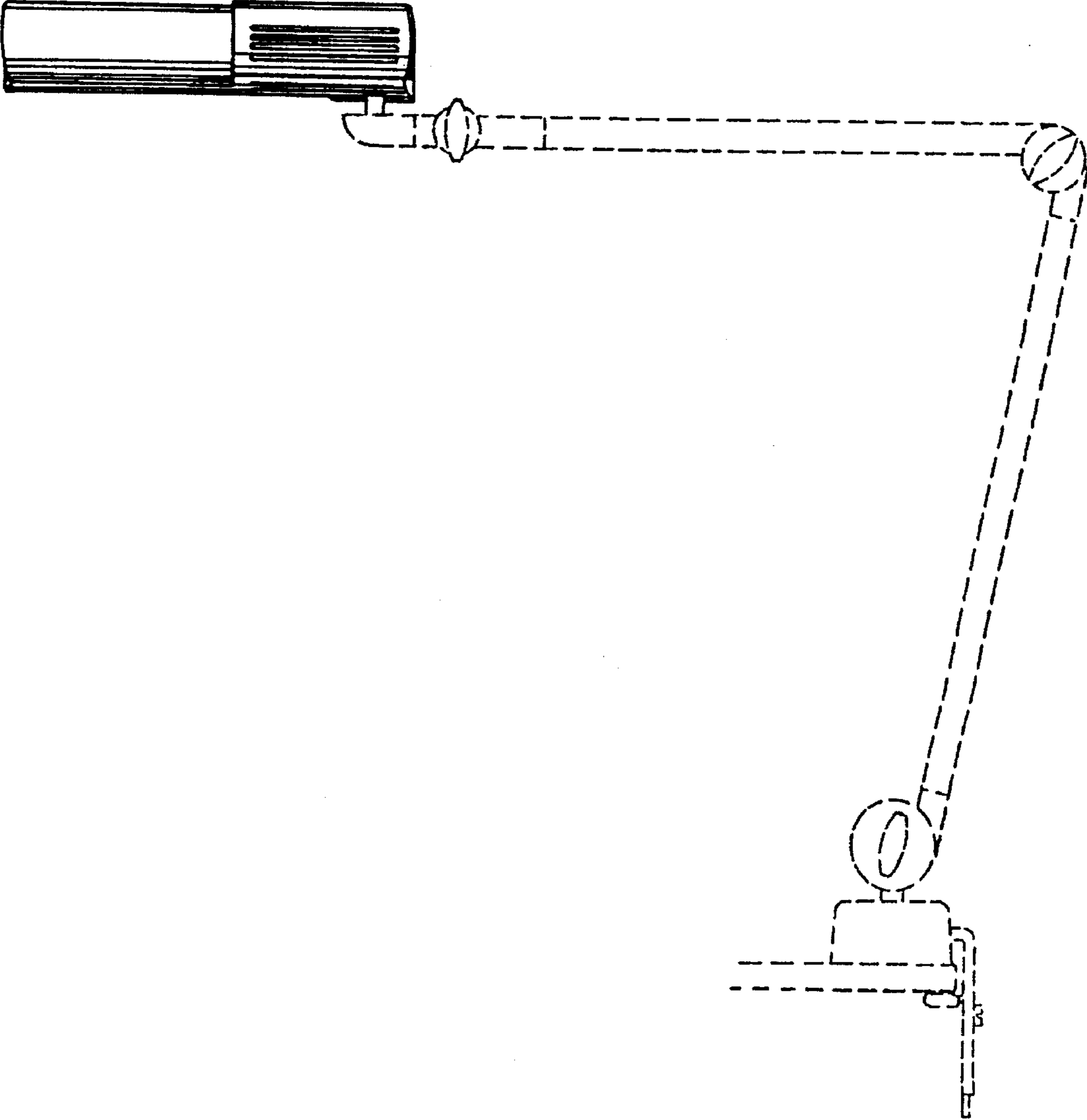


FIG. 1



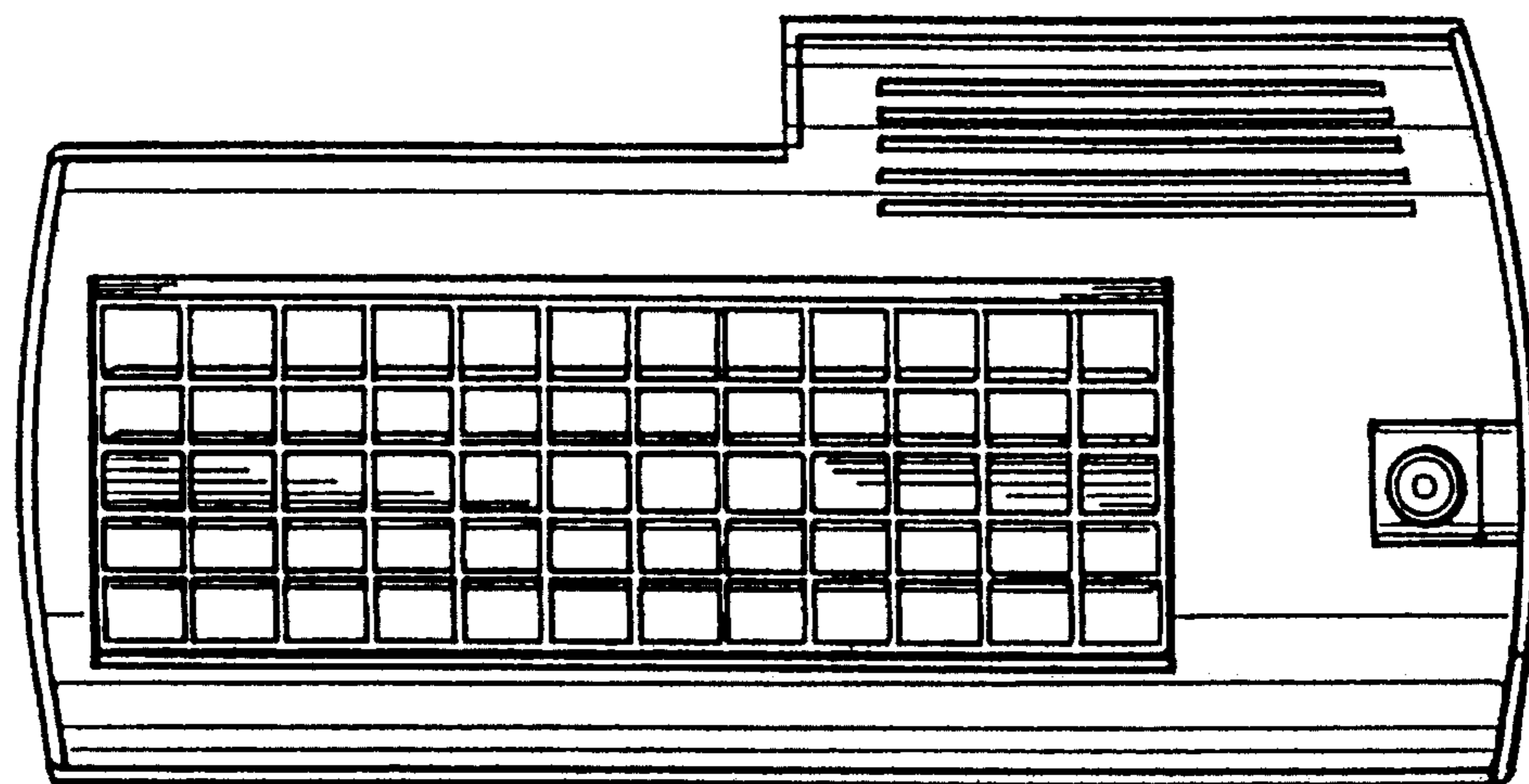


FIG.2

FIG.3

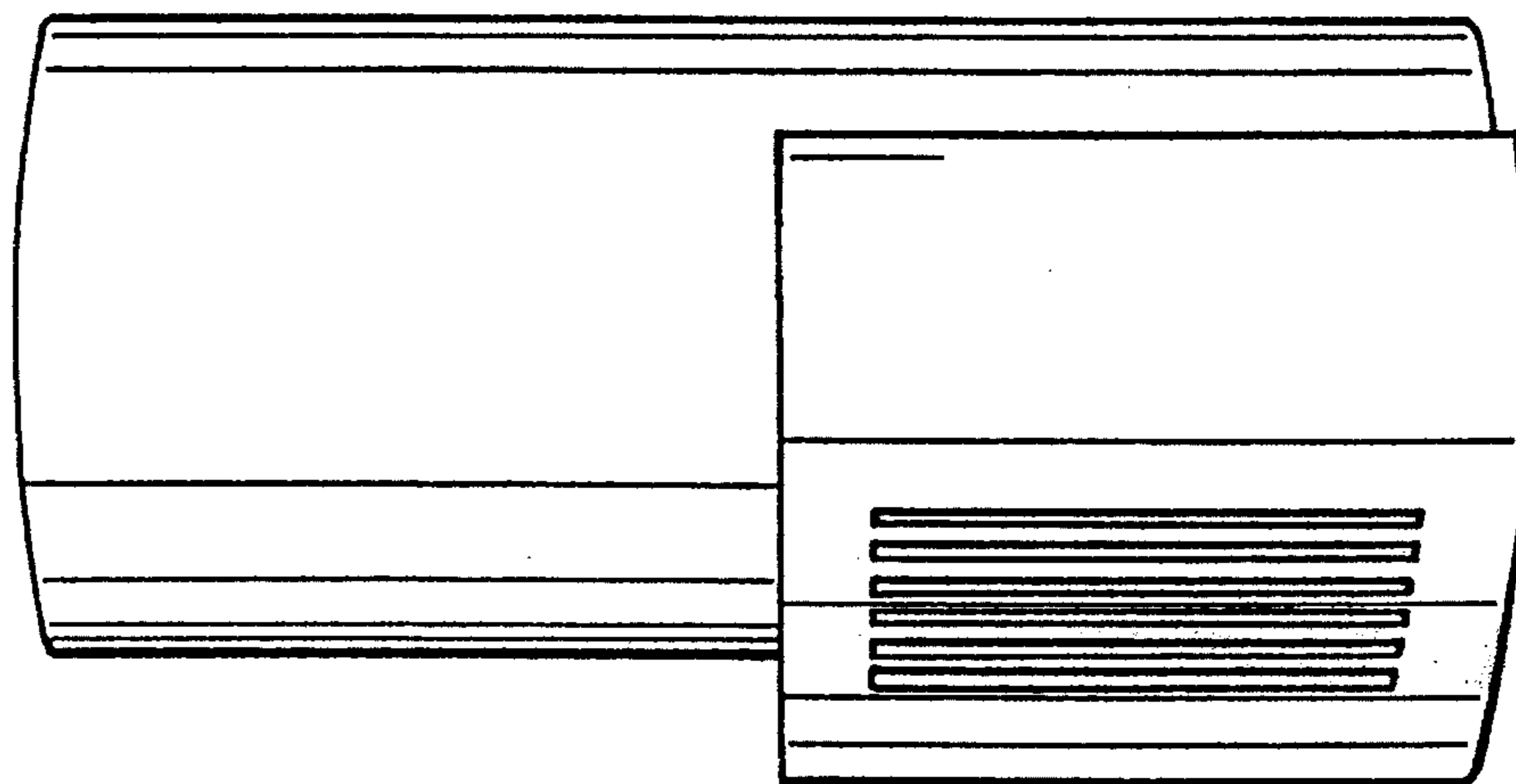
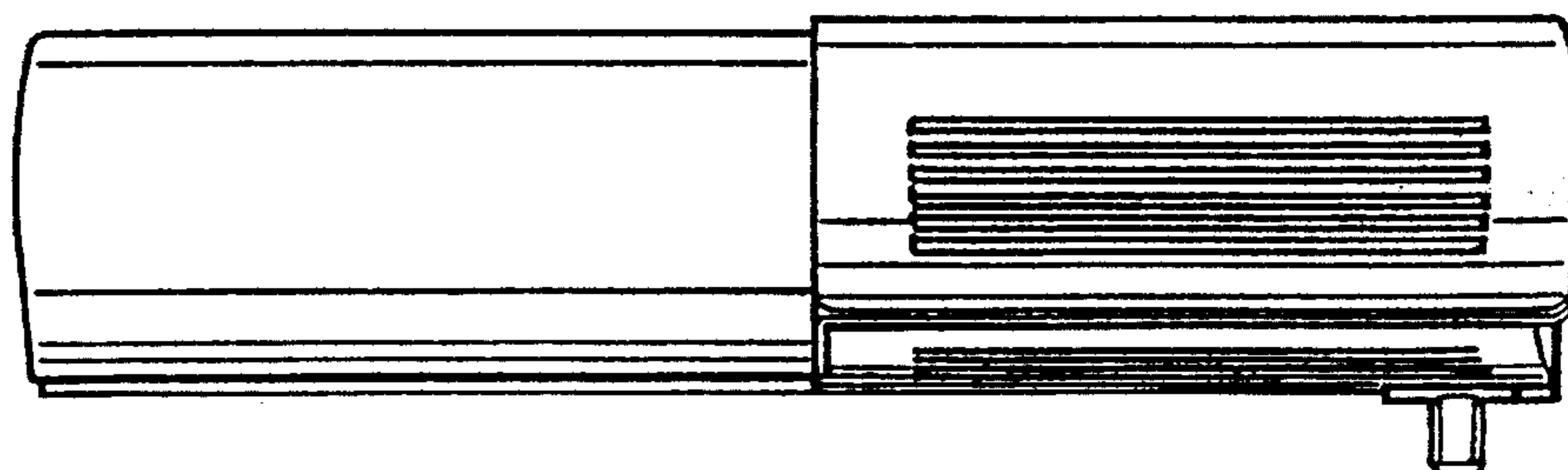


FIG.4



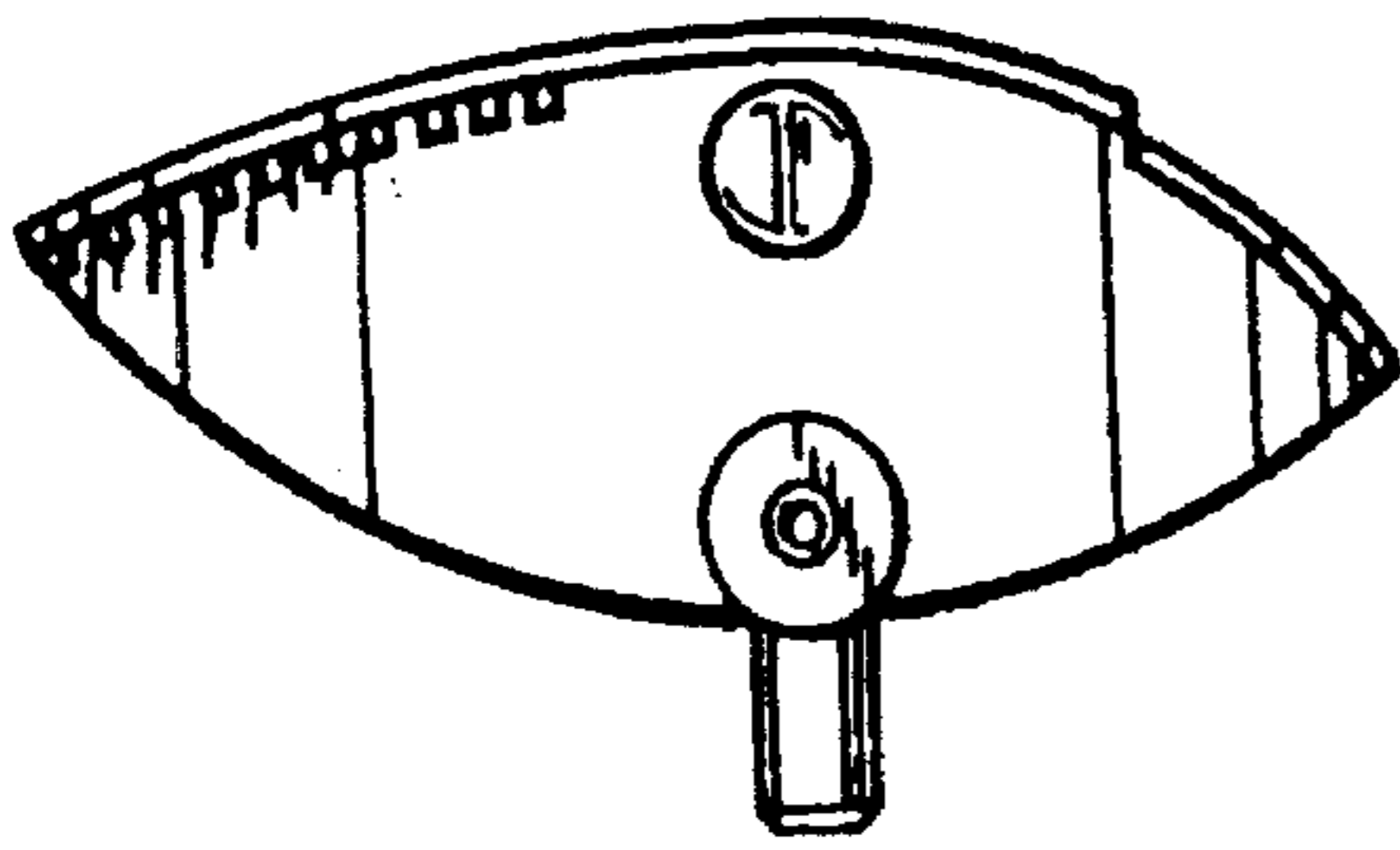


FIG. 5

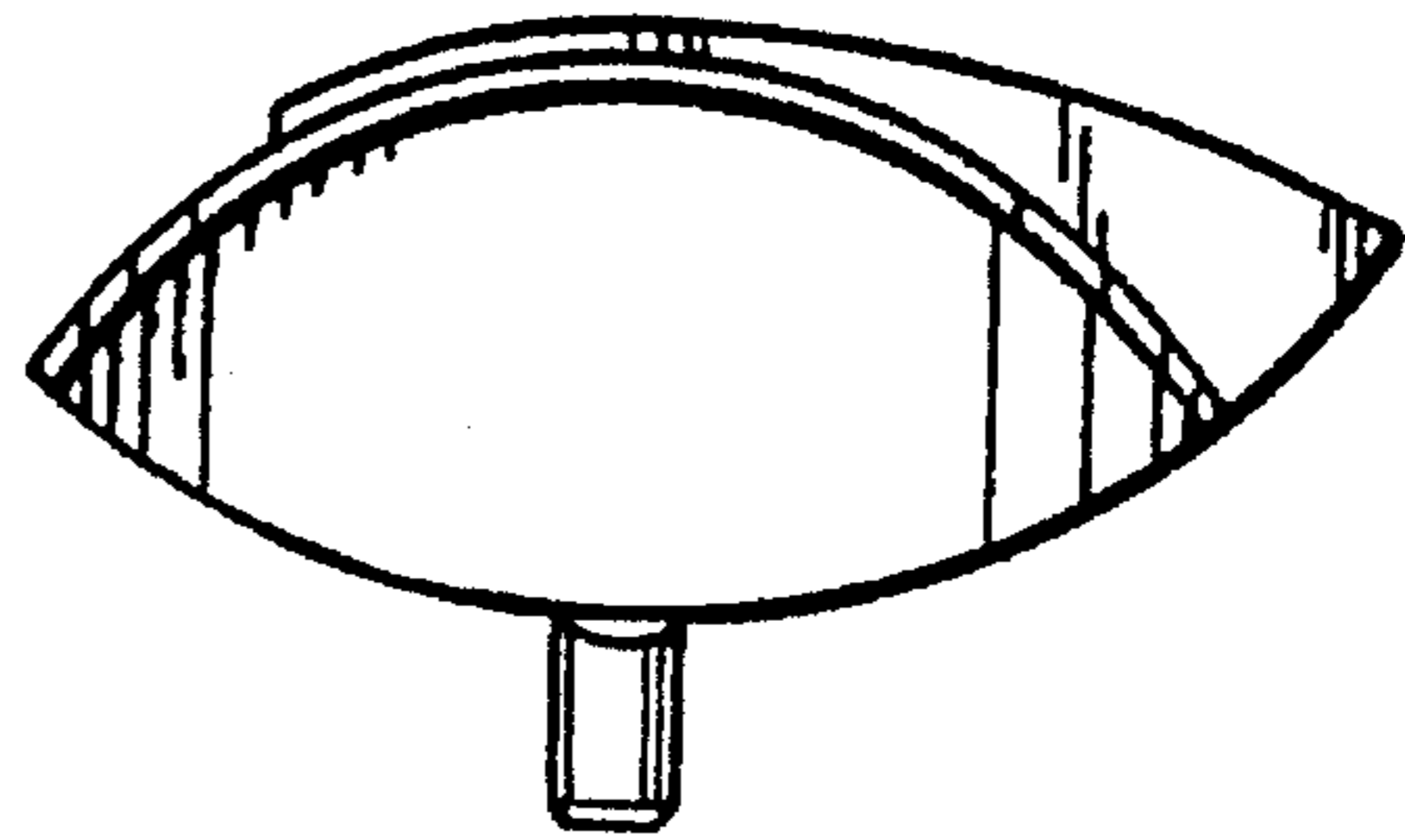


FIG. 6

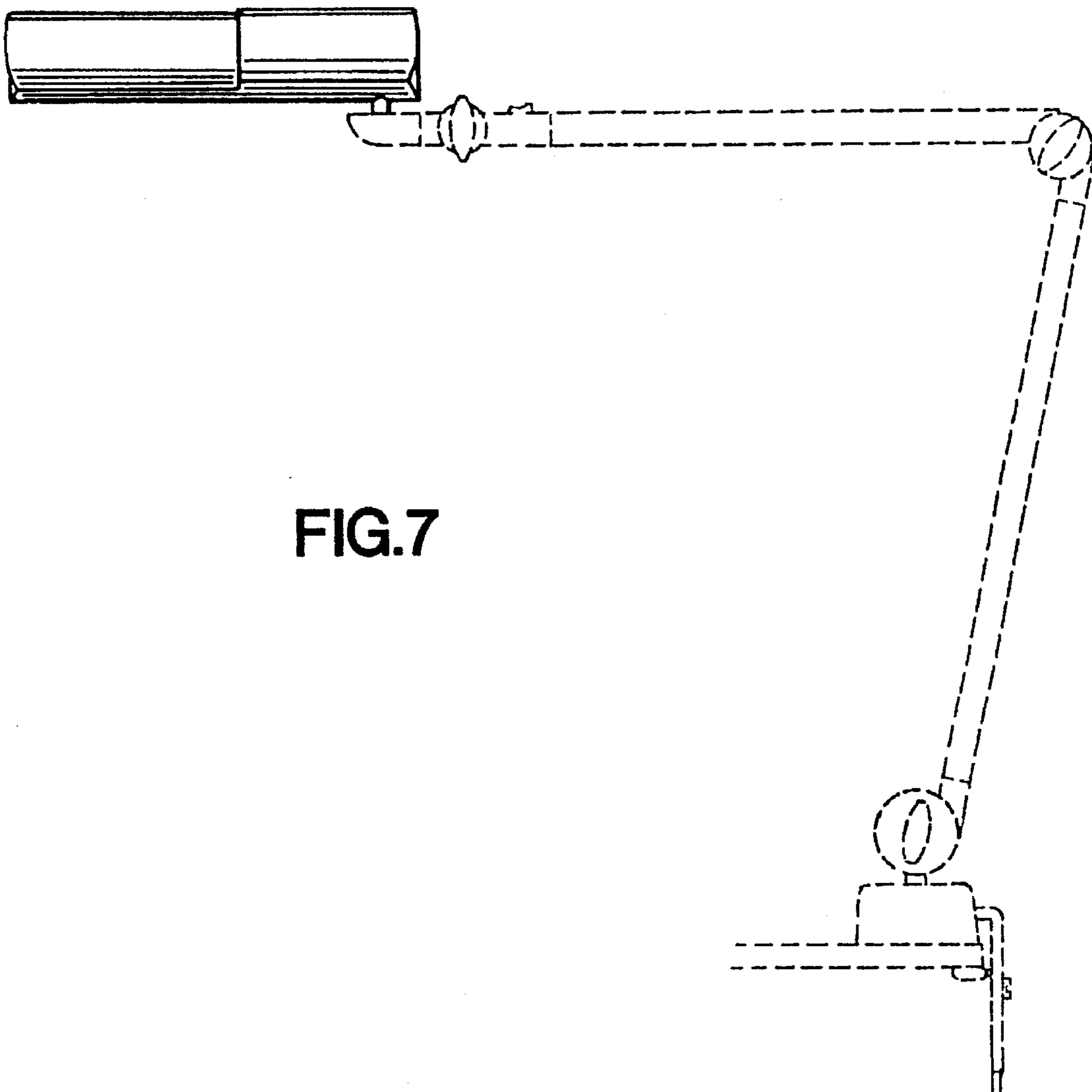


FIG. 7

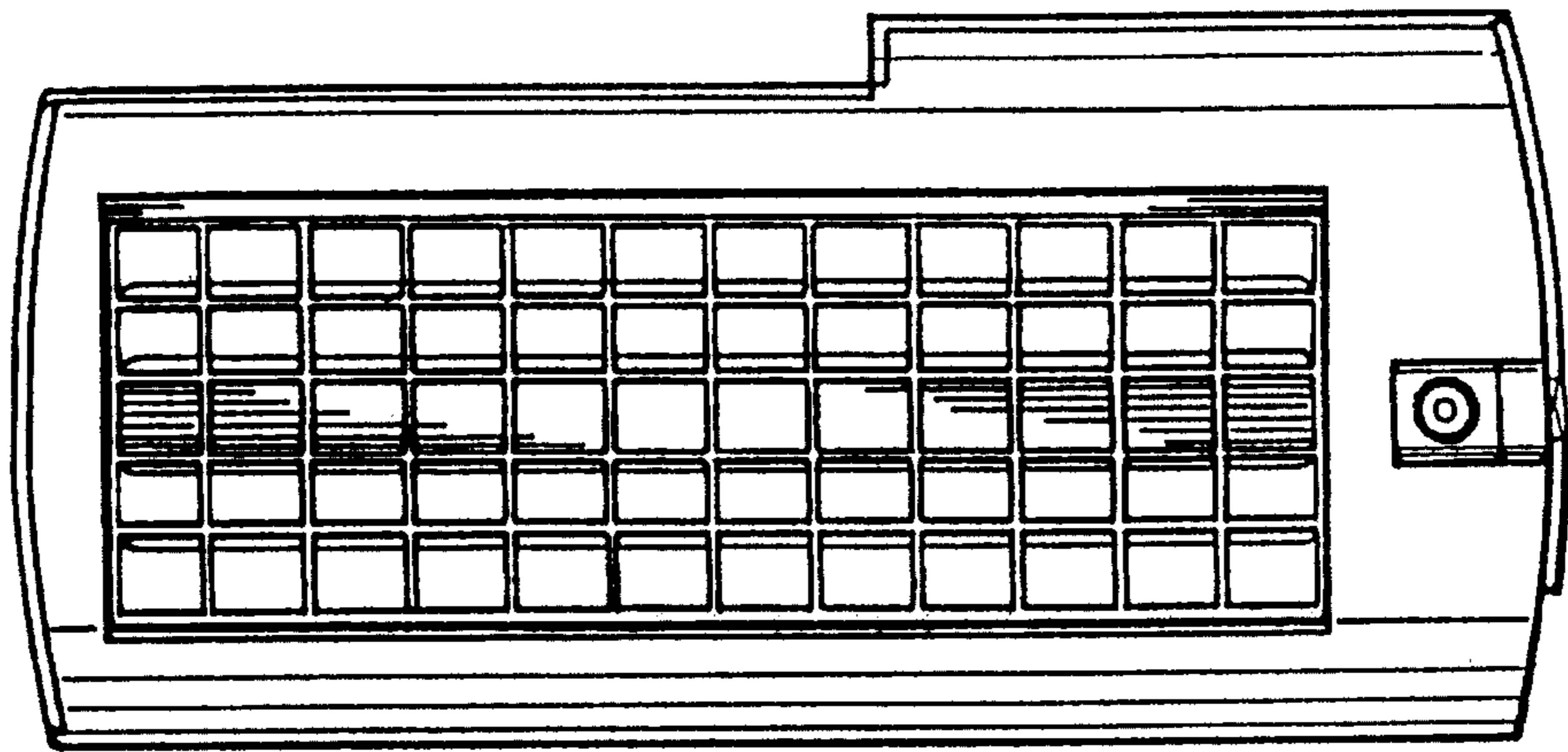


FIG. 8

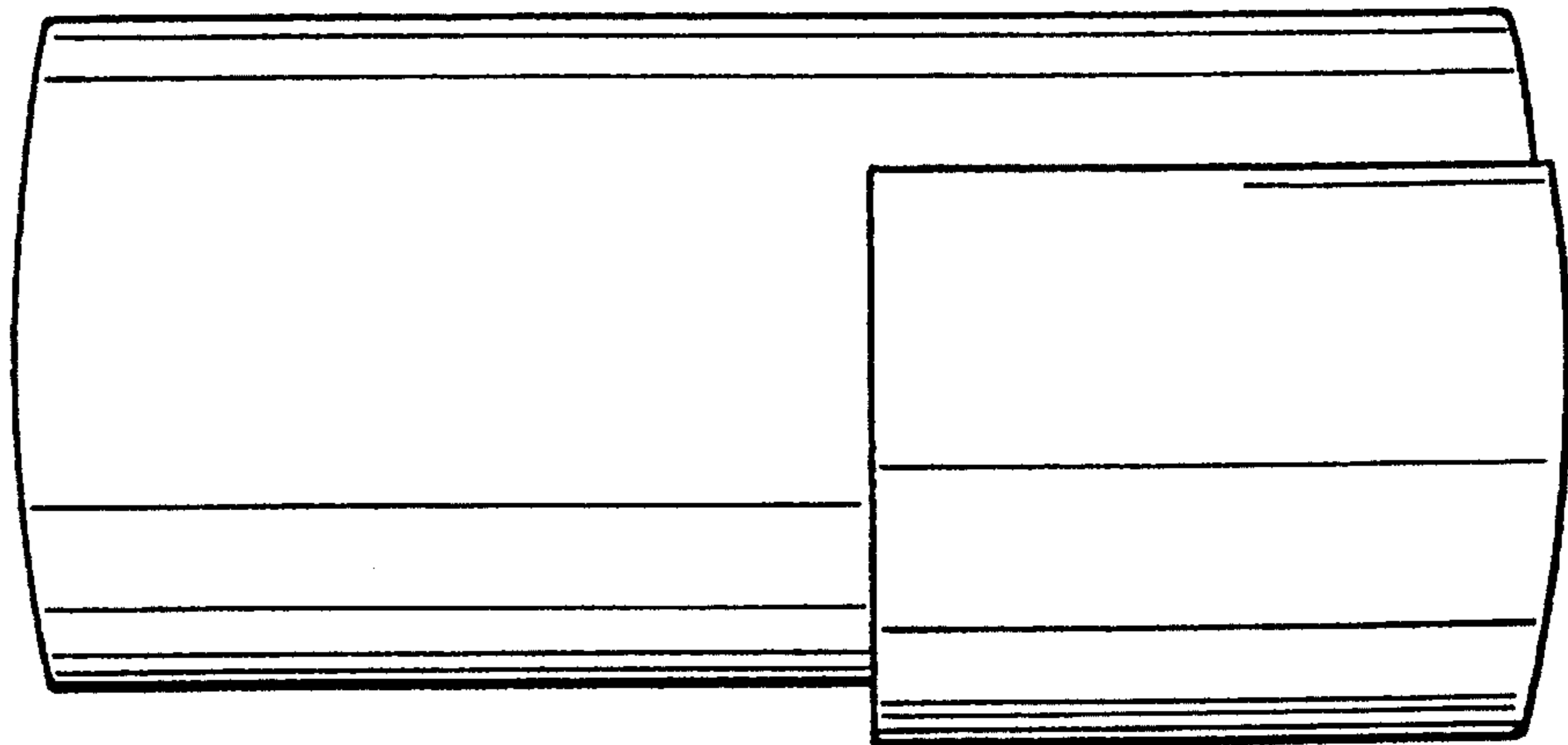


FIG. 9

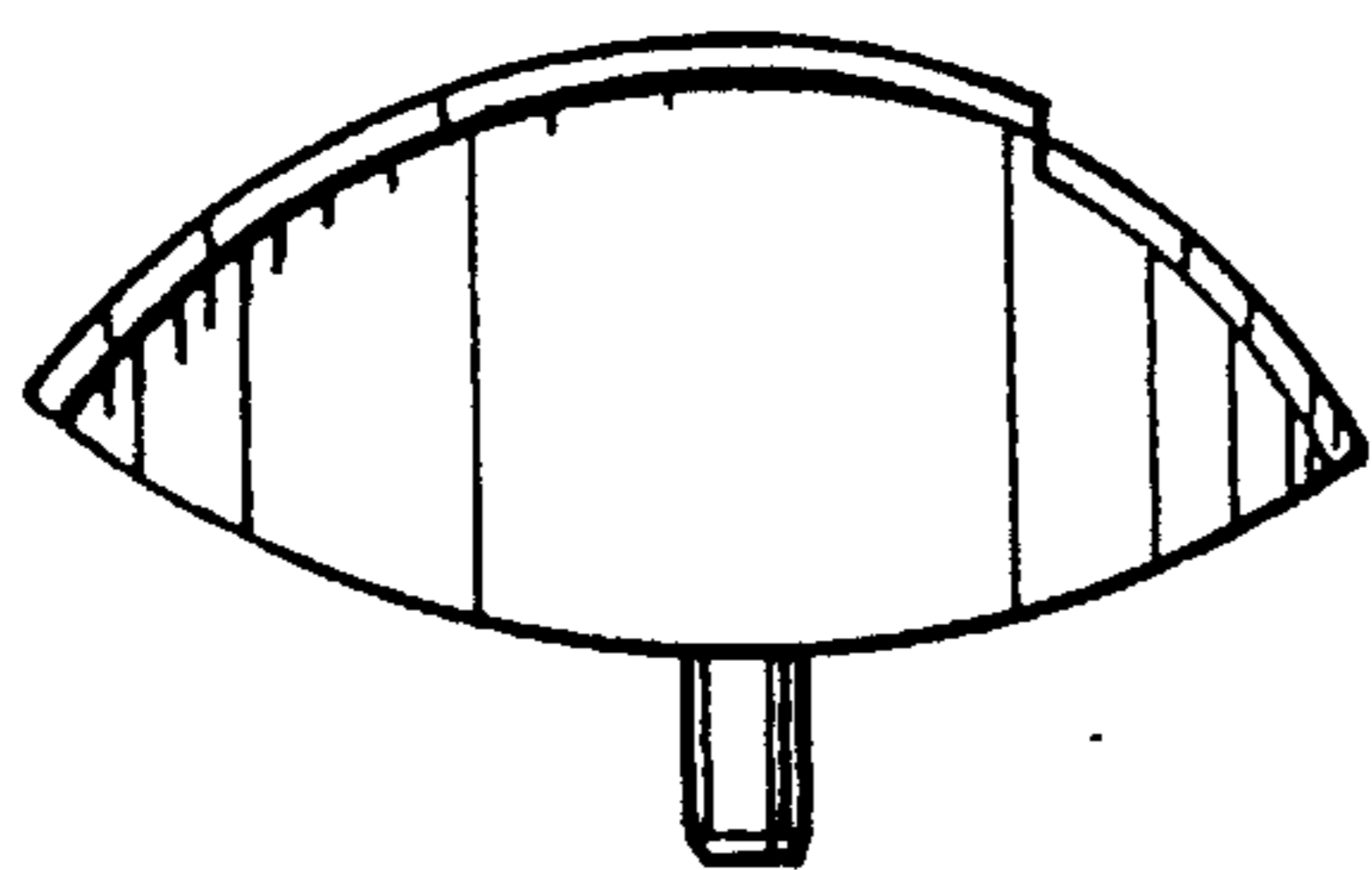


FIG. 10

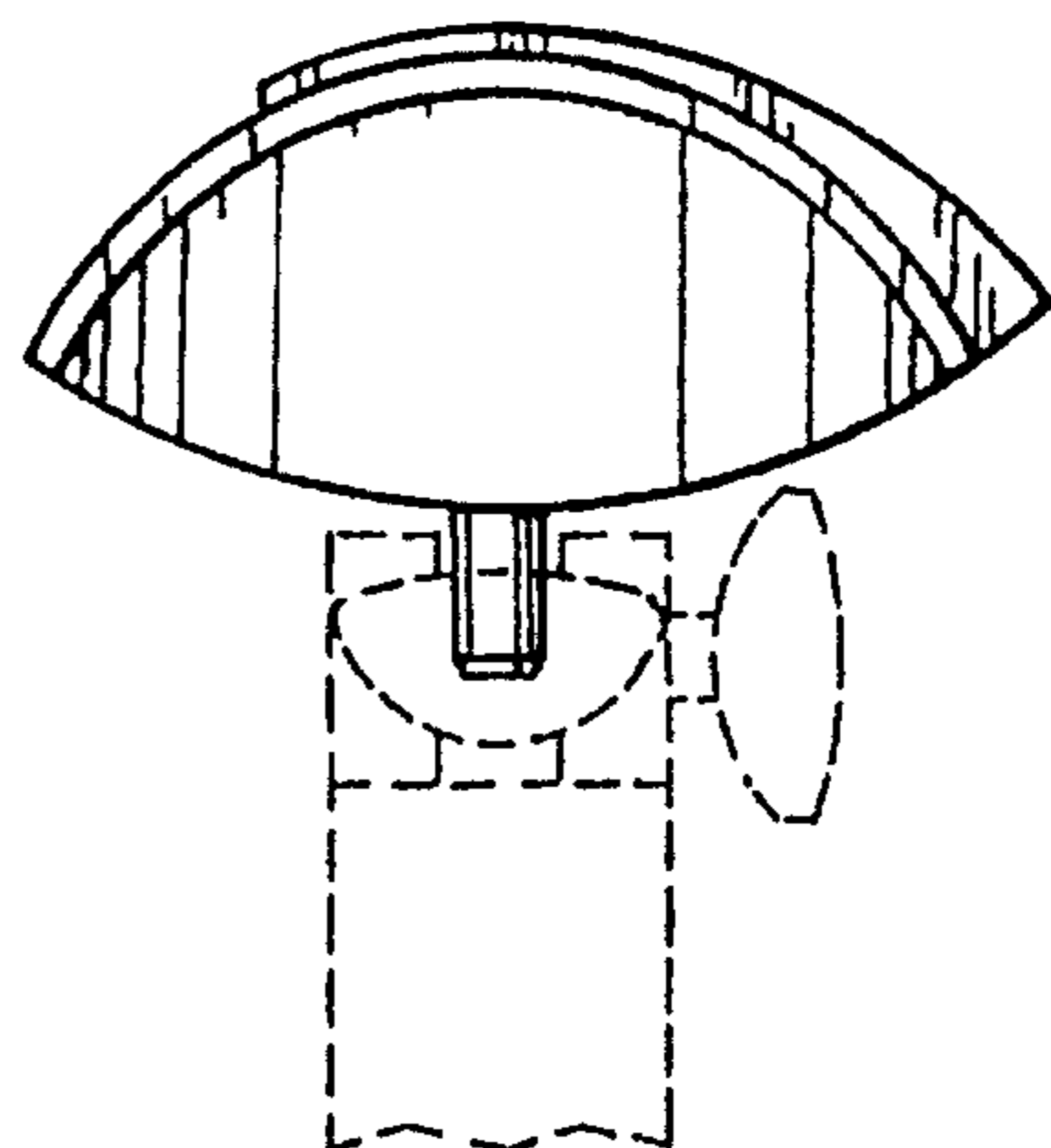


FIG. 11