



US00D369428S

United States Patent [19]

[11] Patent Number: **Des. 369,428**

Deron

[45] Date of Patent: ****Apr. 30, 1996**

[54] **WALL LIGHT FIXTURE**

[75] Inventor: **Ivo O. Deron**, Inman, S.C.

[73] Assignee: **Progress Lighting**, Spartanburg, S.C.

[**] Term: **14 Years**

[21] Appl. No.: **33,229**

[22] Filed: **Jan. 6, 1995**

[52] U.S. Cl. **D26/92; D26/80**

[58] Field of Search **D26/72, 80-92, D26/142, 143, 145, 149, 129, 130, 131, 134; 362/147, 432**

[56] **References Cited**

U.S. PATENT DOCUMENTS

D. 44,256 6/1913 Peck D26/134
D. 333,363 2/1993 Lee D26/142

OTHER PUBLICATIONS

Kichler Lighting Catalog, 1987, p. 85, Wall Fixture #K-5233.

SeaGull Lighting Catalog, 1987, p. 94, Wall Fixture #4603-02.

Primary Examiner—Susan J. Lucas

Attorney, Agent, or Firm—Seidel Gonda Lavorgna & Monaco

[57] **CLAIM**

The ornamental design for a wall light fixture, as shown and described.

DESCRIPTION

FIG. 1 is a front elevational view of a wall light fixture showing my new design;

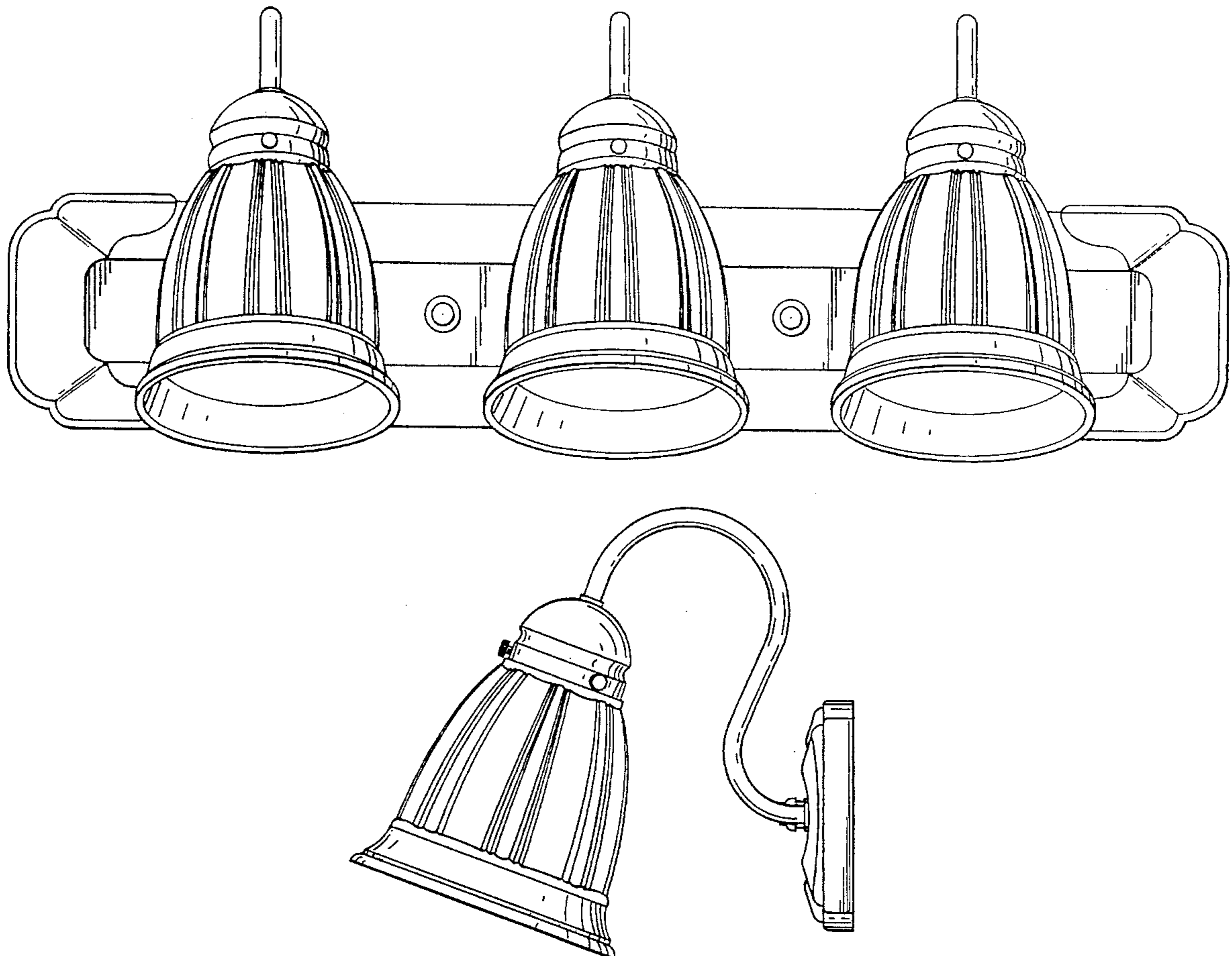
FIG. 2 is a top plan view of the wall light fixture;

FIG. 3 is a right side elevational view of the multiple lamp light fixture, the left side being a mirror image;

FIG. 4 is a rear elevational view of the wall light fixture; and,

FIG. 5 is a bottom plan view of the wall light fixture.

1 Claim, 5 Drawing Sheets



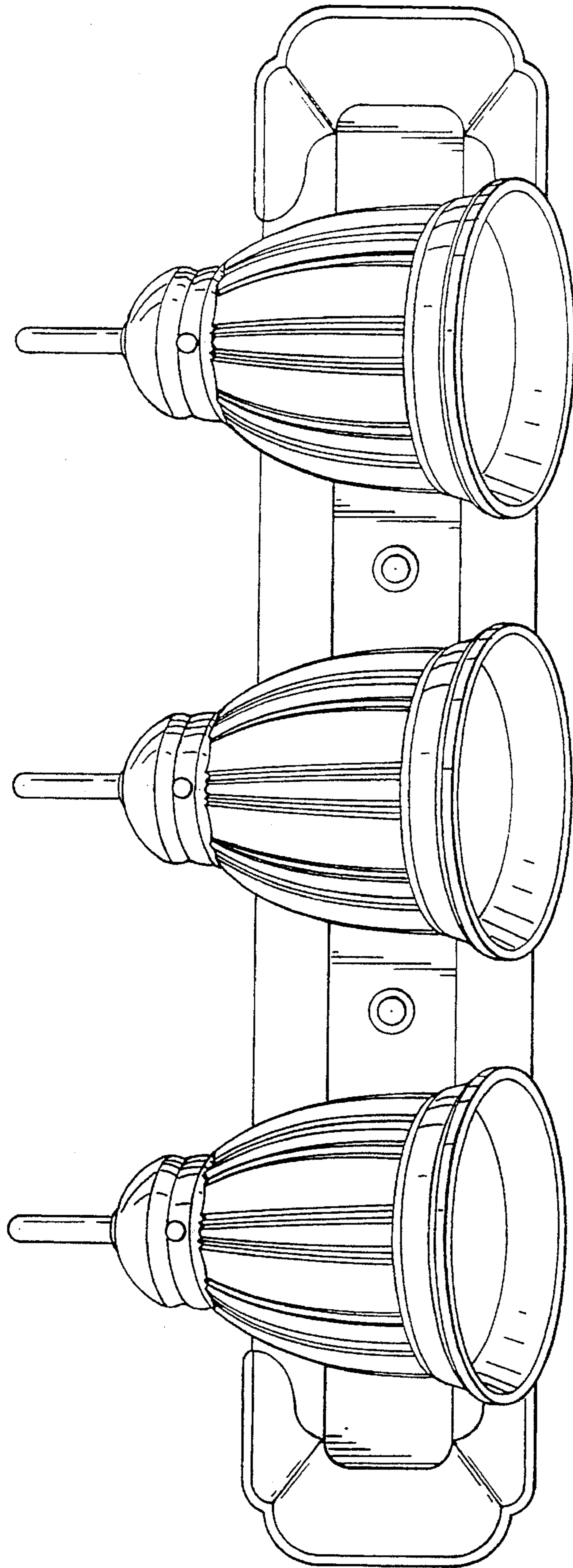


FIG. 1

FIG. 2

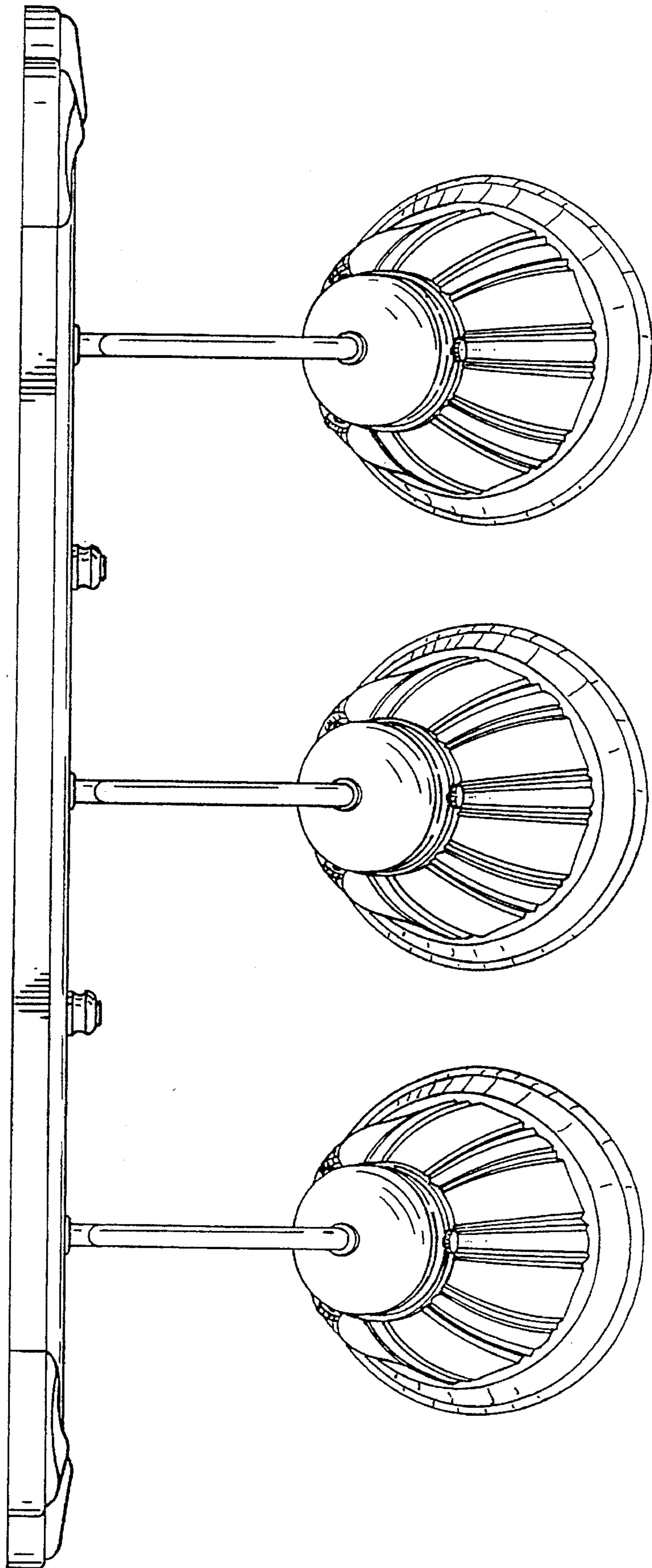
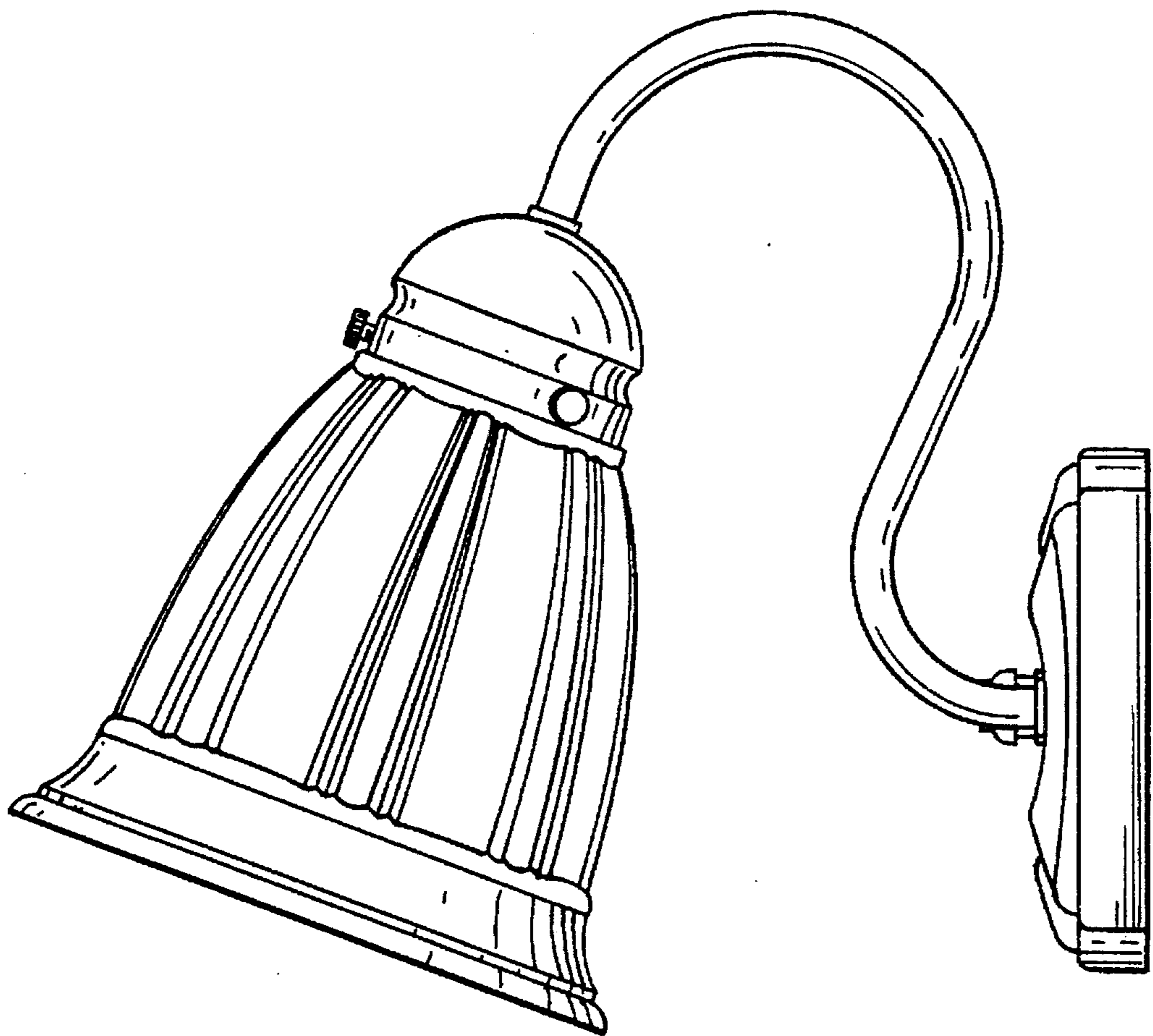


FIG. 3



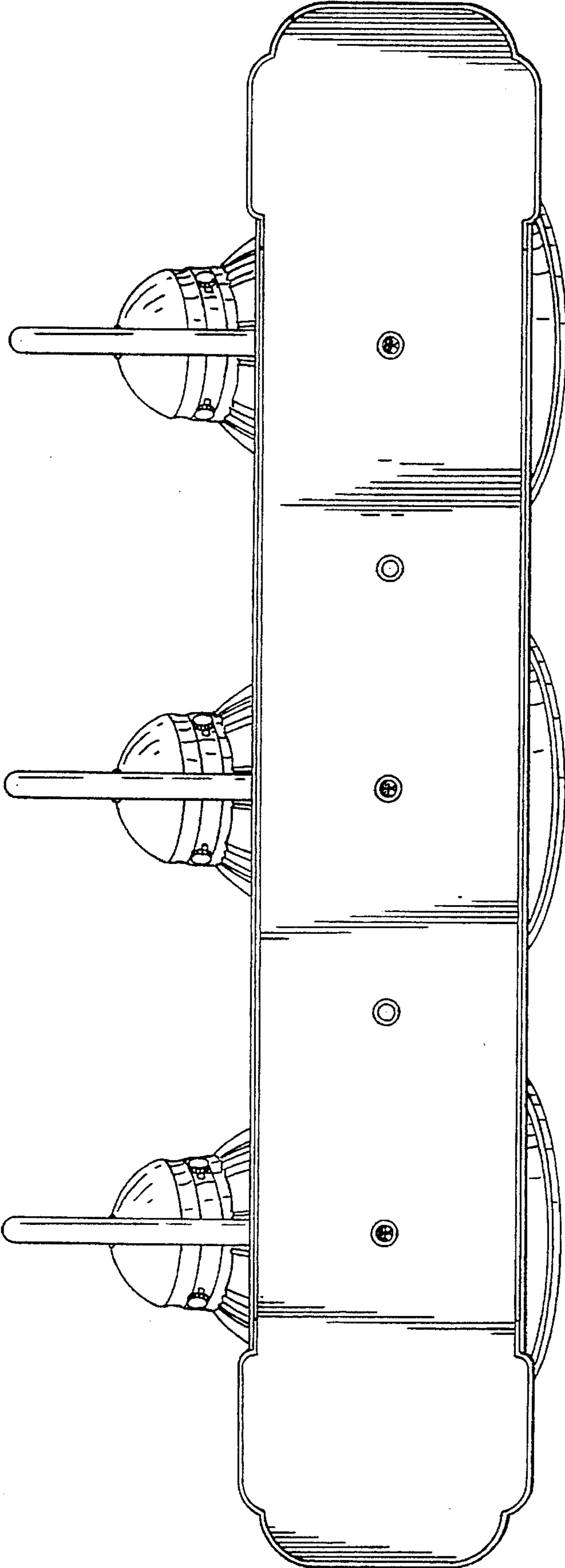


FIG. 4

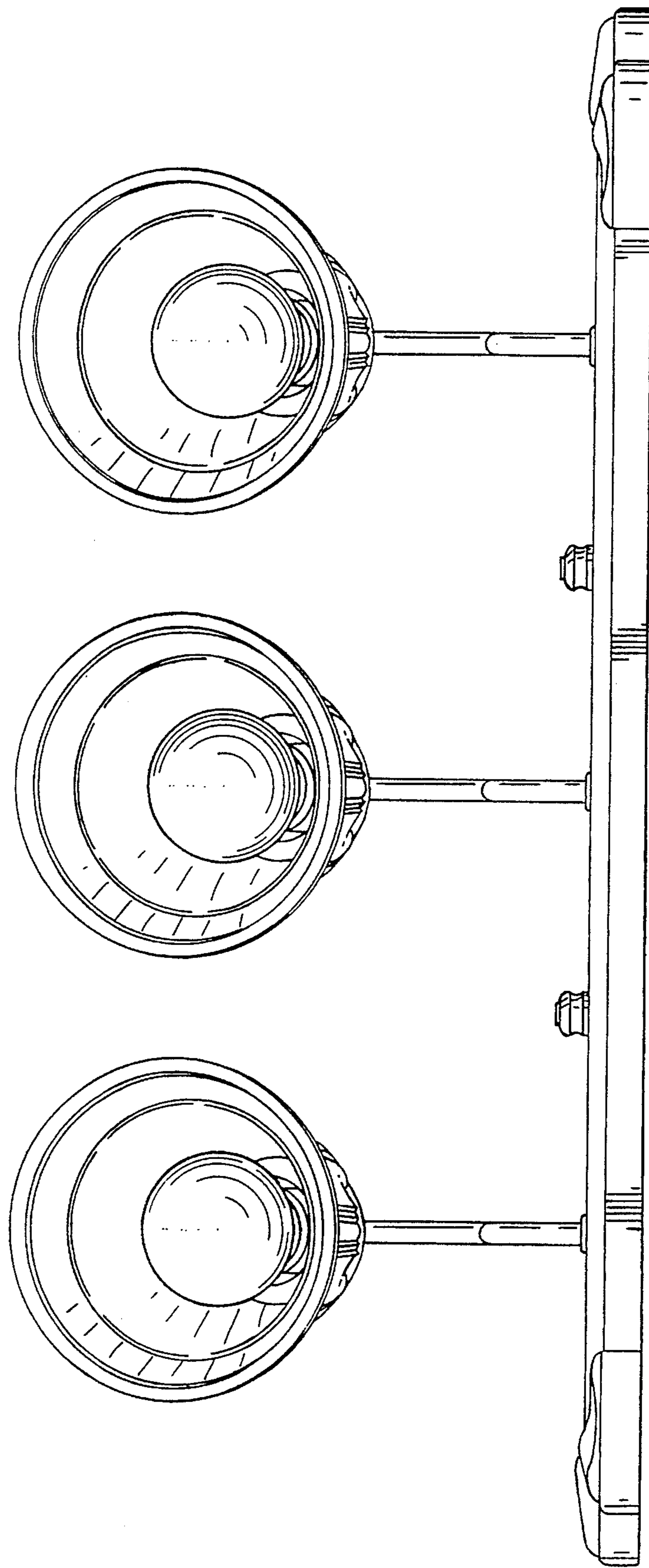


FIG. 5