



US00D369425S

# United States Patent [19]

Swanson

[11] Patent Number: **Des. 369,425**

[45] Date of Patent: **\*\*Apr. 30, 1996**

[54] **STAND ALONE TORCHIERE LAMP HAVING TASK LIGHT ON SWING ARM AND TRAY**

[75] Inventor: **Dennis K. Swanson**, Woodland Hills, Calif.

[73] Assignee: **Lamps Plus, Inc.**, Chatsworth, Calif.

[\*\*] Term: **14 Years**

[21] Appl. No.: **37,264**

[22] Filed: **Apr. 7, 1995**

[52] U.S. Cl. .... **D26/63; D26/58; D26/102**

[58] Field of Search ..... **D26/60-66, 102-112, D26/93, 58; 362/418, 419, 427, 269, 275, 285, 249, 250, 410-414**

[56] **References Cited**

**U.S. PATENT DOCUMENTS**

D. 348,113 6/1994 Swanson ..... D26/102  
4,880,193 11/1989 Warshawsky ..... 362/427

*Primary Examiner*—Kay H. Chin  
*Attorney, Agent, or Firm*—Robbins, Berliner & Carson

[57] **CLAIM**

The ornamental design for a stand alone torchiere lamp having task light on swing arm and tray, as shown and described.

**DESCRIPTION**

FIG. 1 is a side view of the torchiere lamp having task light on a swing arm and a tray (the opposite side view is a mirror image thereof);

FIG. 2 is a front view thereof;

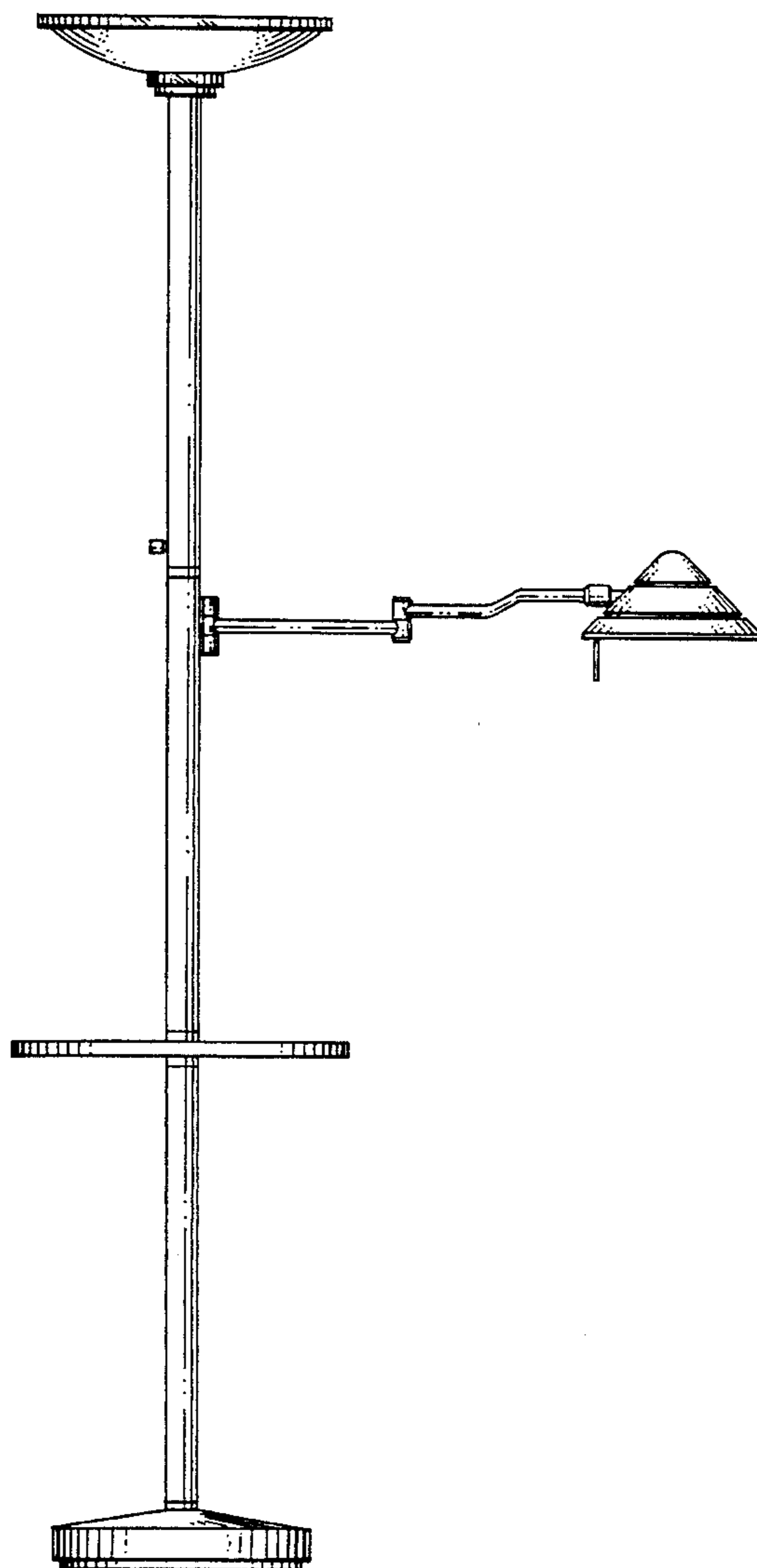
FIG. 3 is a rear view thereof;

FIG. 4 is a top view thereof;

FIG. 5 is a bottom view thereof; and,

FIG. 6 is a plan portion view thereof showing the arm in an alternate position.

**1 Claim, 2 Drawing Sheets**



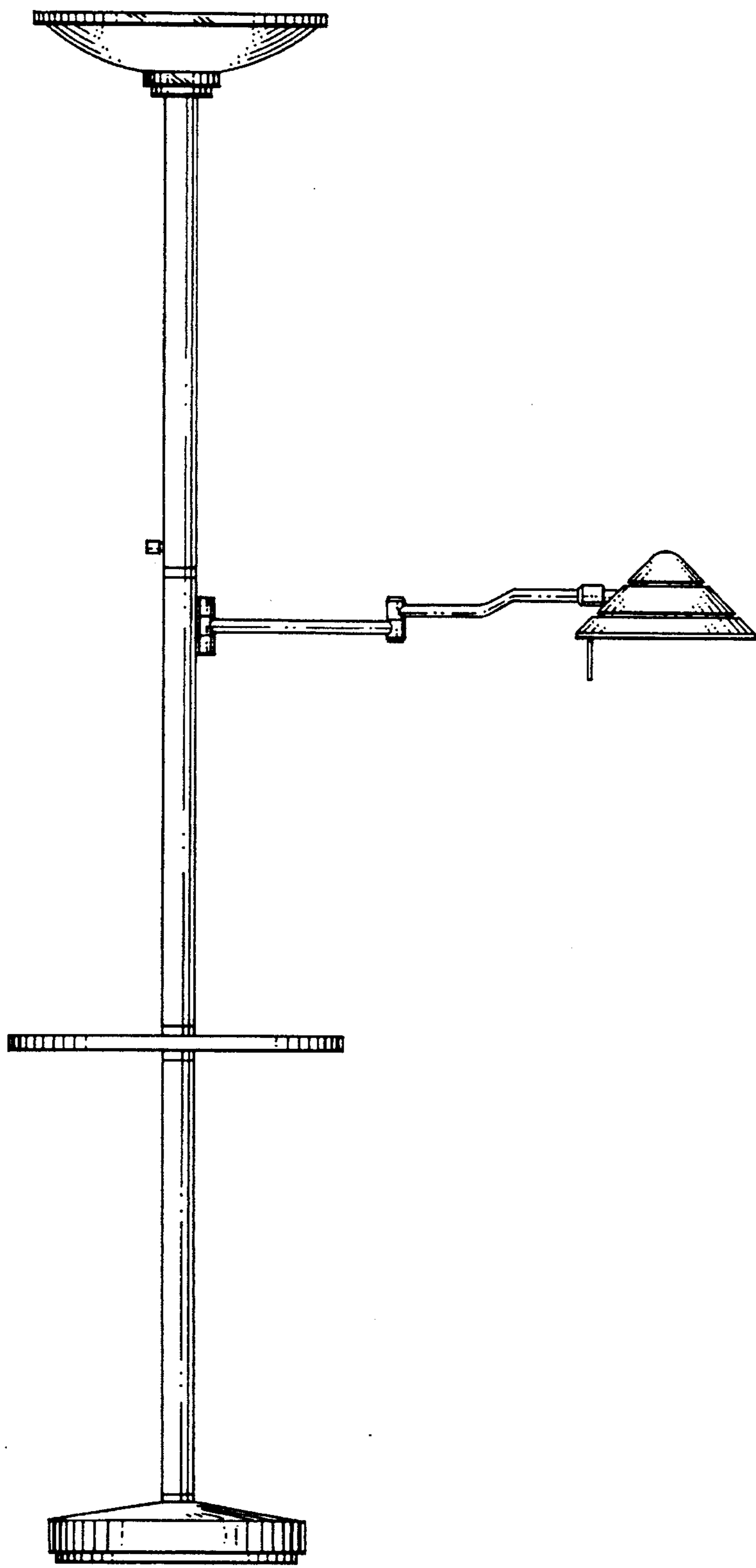


FIG. 1

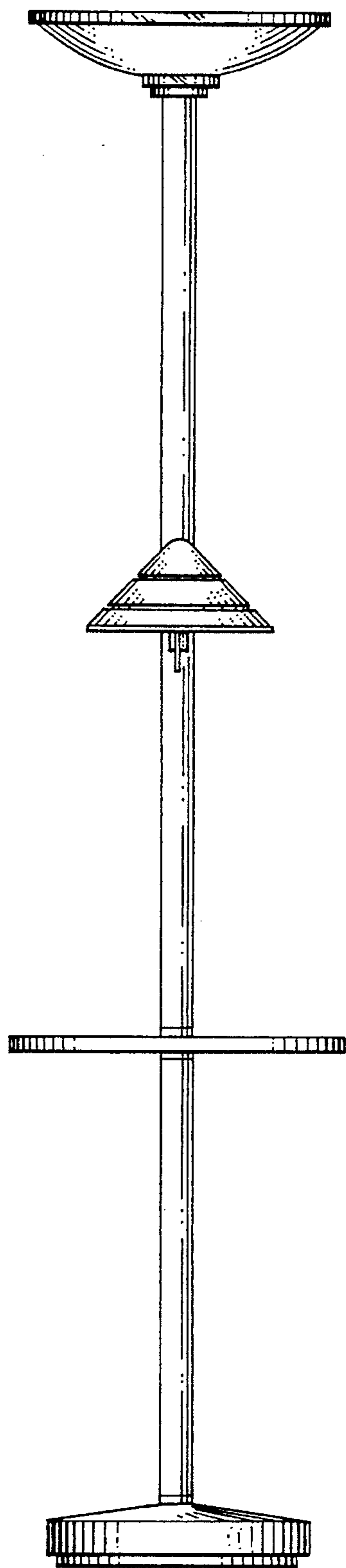


FIG. 2

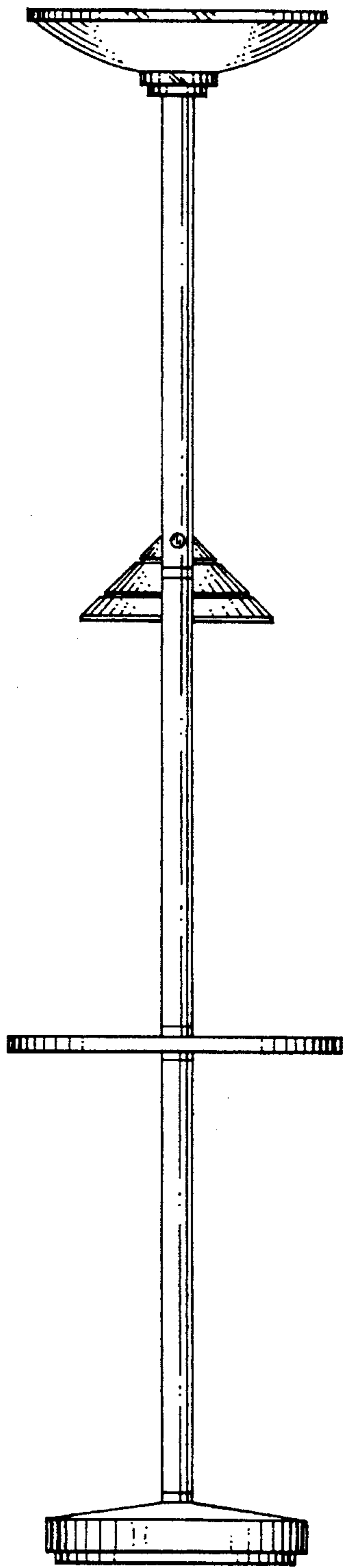


FIG. 3

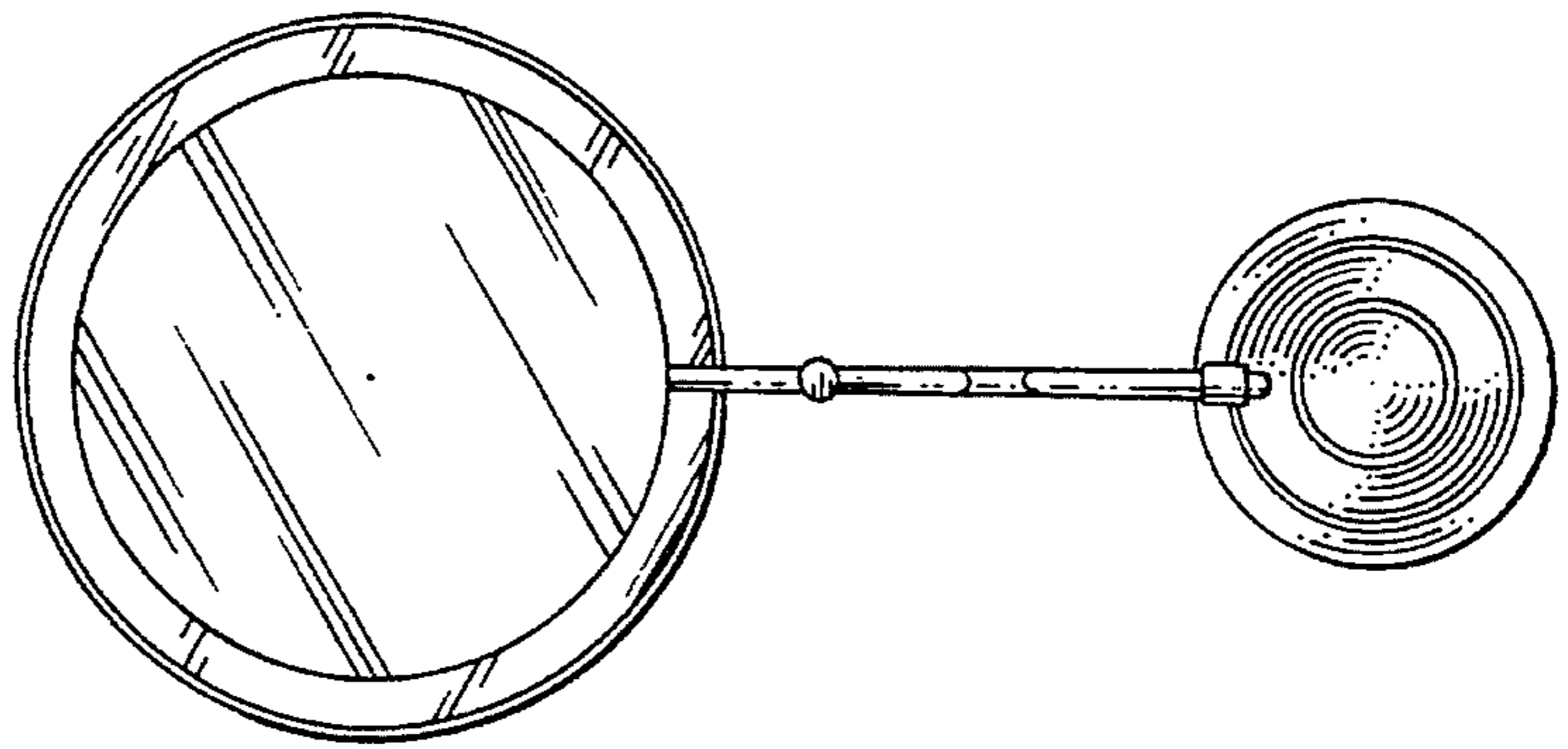


FIG. 4

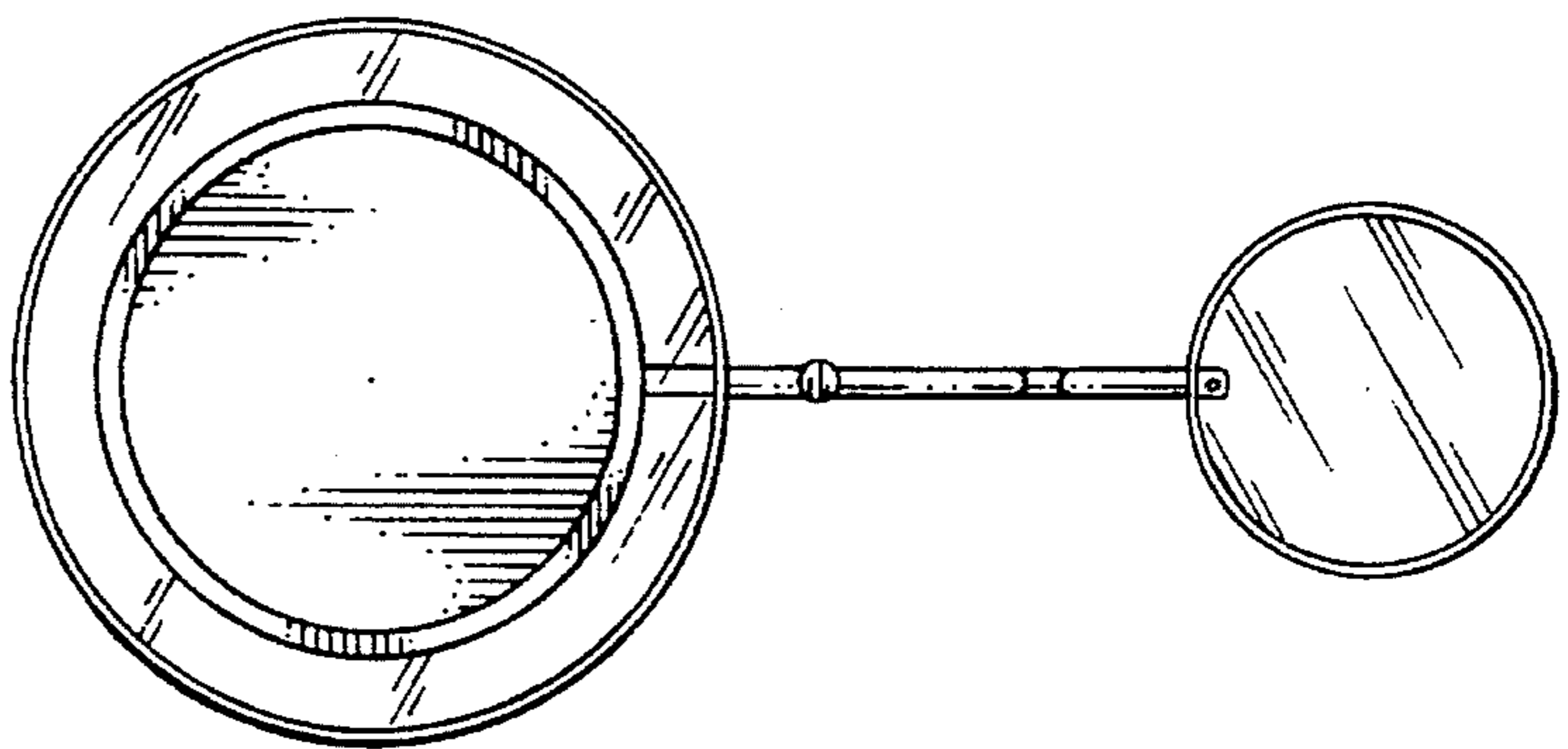


FIG. 5

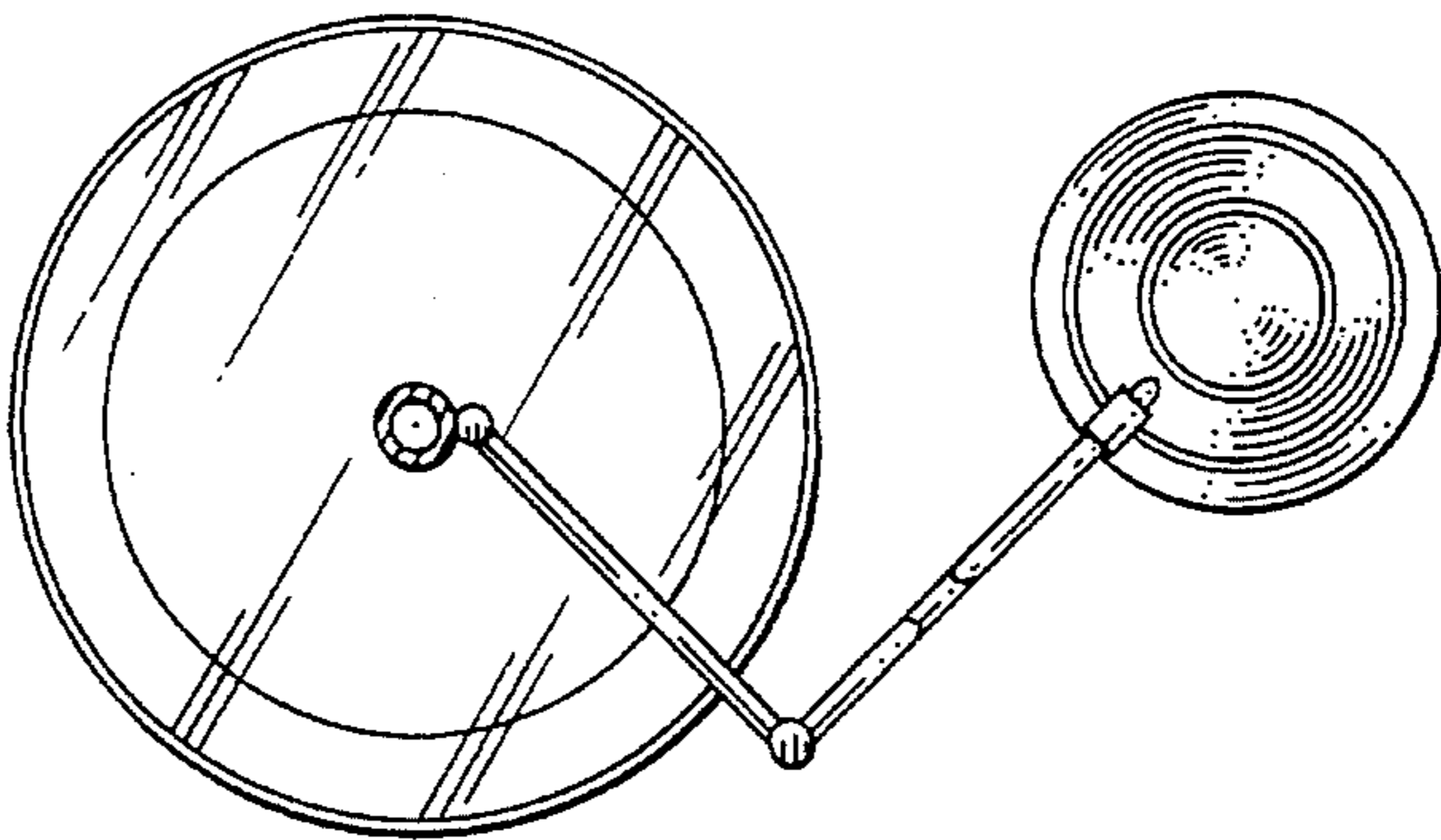


FIG. 6