



US00D369424S

United States Patent [19]

Swanson

[11] Patent Number: Des. 369,424

[45] Date of Patent: **Apr. 30, 1996

[54] **STAND ALONE TORCHIERE LAMP HAVING TASK LIGHT ON MULTI ADJUSTABLE ARM AND TRAY**

[75] Inventor: **Dennis K. Swanson**, Woodland Hills, Calif.

[73] Assignee: **Lamps Plus, Inc.**, Chatsworth, Calif.

[**] Term: **14 Years**

[21] Appl. No.: **37,263**

[22] Filed: **Apr. 7, 1995**

[52] U.S. Cl. **D26/63; D26/58; D26/102**

[58] **Field of Search** D26/60-66, 93, D26/102-112, 58; 362/12, 18, 418, 419, 427, 269, 431, 410-414

[56] **References Cited**

U.S. PATENT DOCUMENTS

D. 328,149	7/1992	Roberts	D26/64
D. 348,113	6/1994	Swanson	D26/102
1,397,453	11/1921	Rekar	D26/65

Primary Examiner—Kay H. Chin
Attorney, Agent, or Firm—Robbins, Berliner & Carson

[57] **CLAIM**

The ornamental design for a stand alone torchiere lamp having task light on multi adjustable arm and tray, as shown and described.

DESCRIPTION

FIG. 1 is a side view of the torchiere lamp having task light or multi adjustable arm and a tray (the opposite side view is a mirror image thereof);

FIG. 2 is a front view thereof;

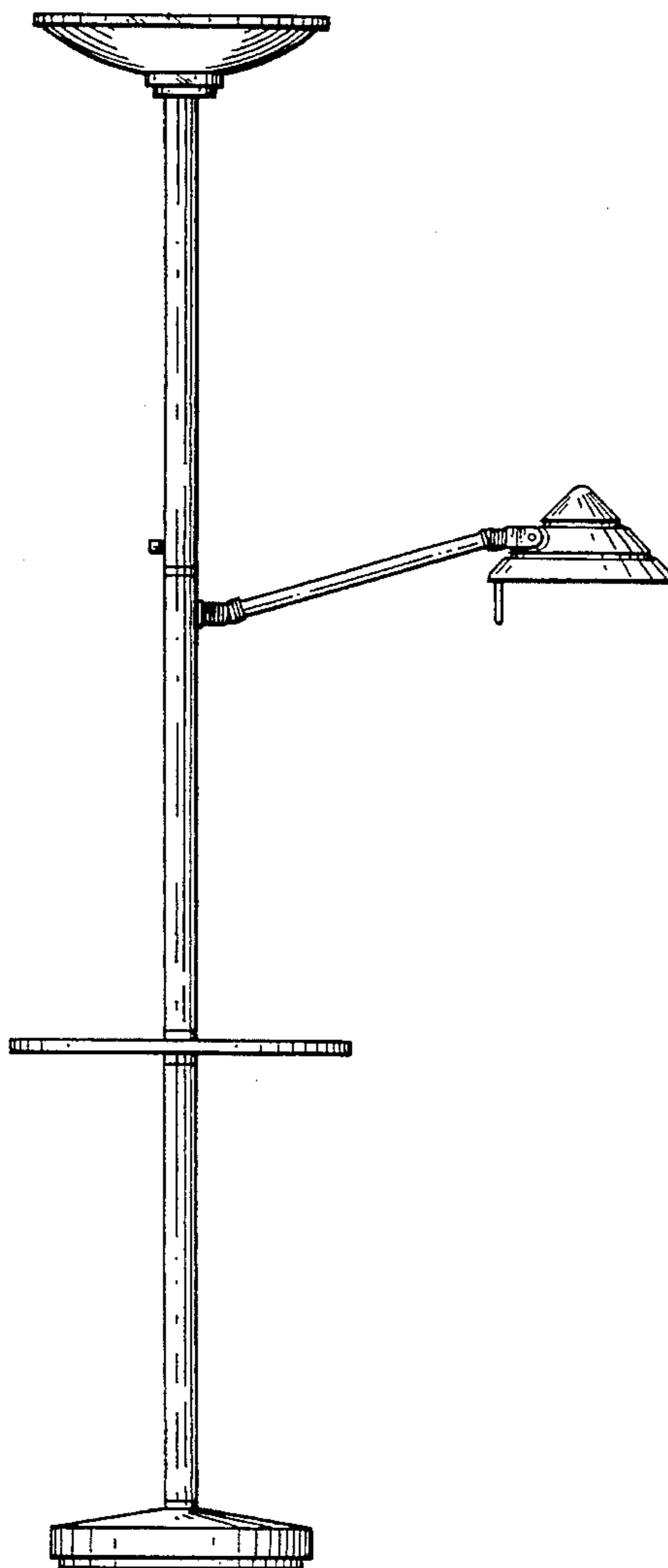
FIG. 3 is a rear view thereof;

FIG. 4 is a top view thereof;

FIG. 5 is a bottom view thereof; and,

FIG. 6 is a fragmented portion thereof showing the task light in an alternate position.

1 Claim, 2 Drawing Sheets



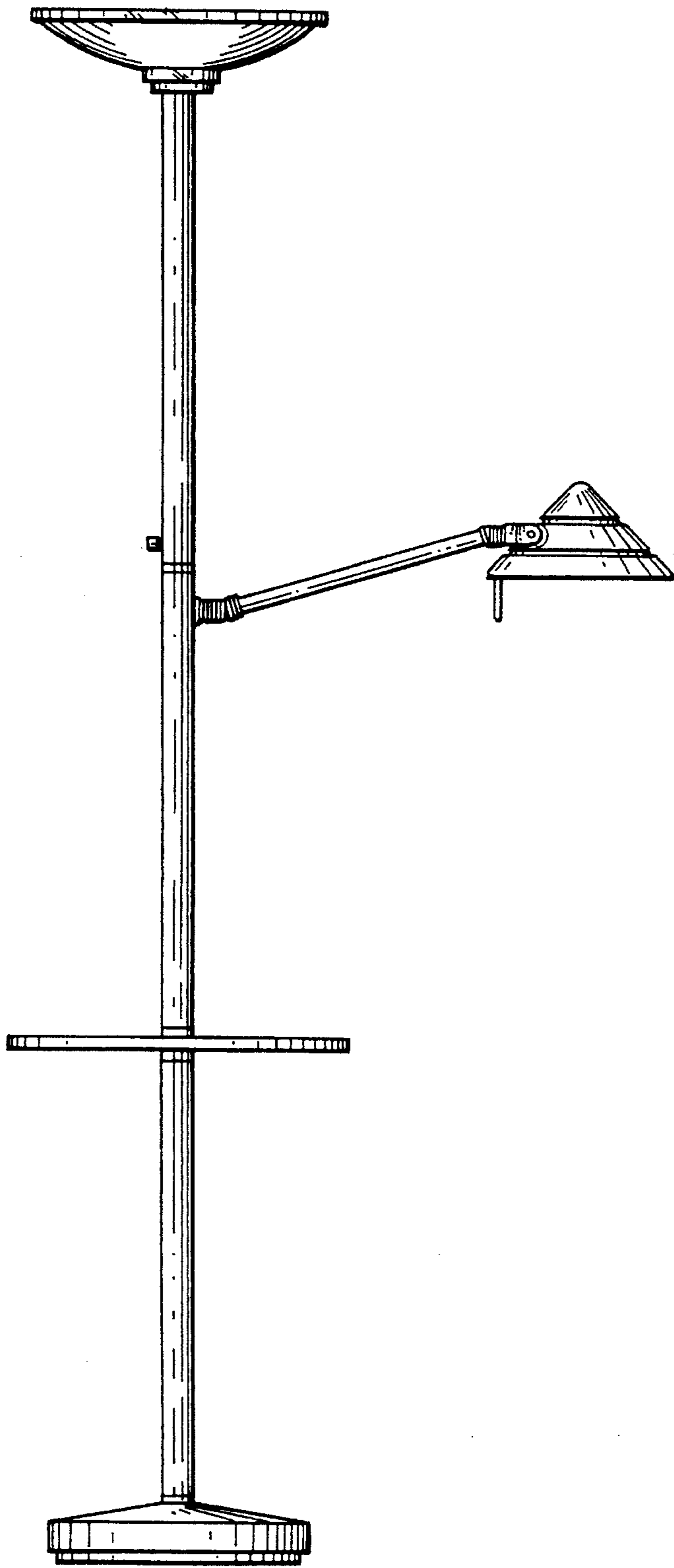


FIG. 1

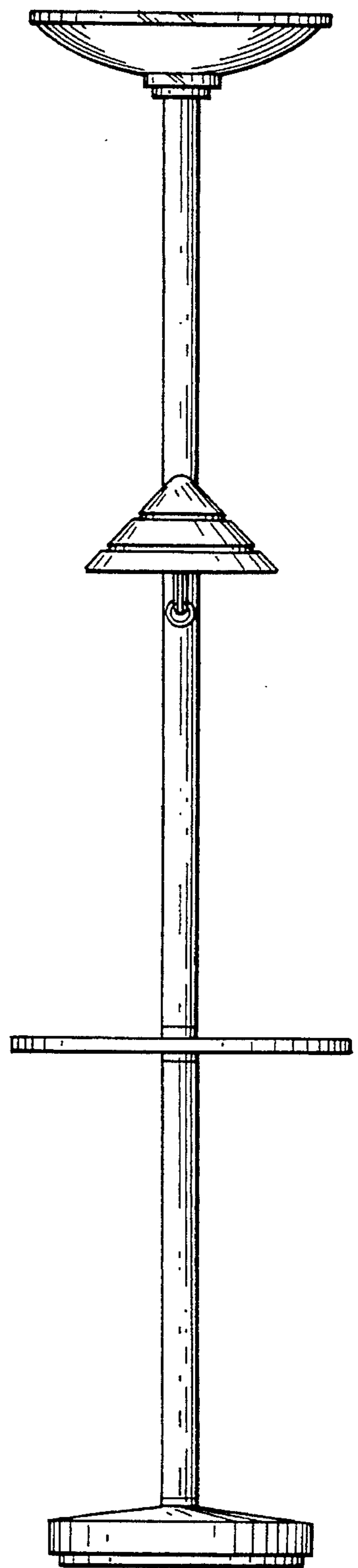


FIG. 2

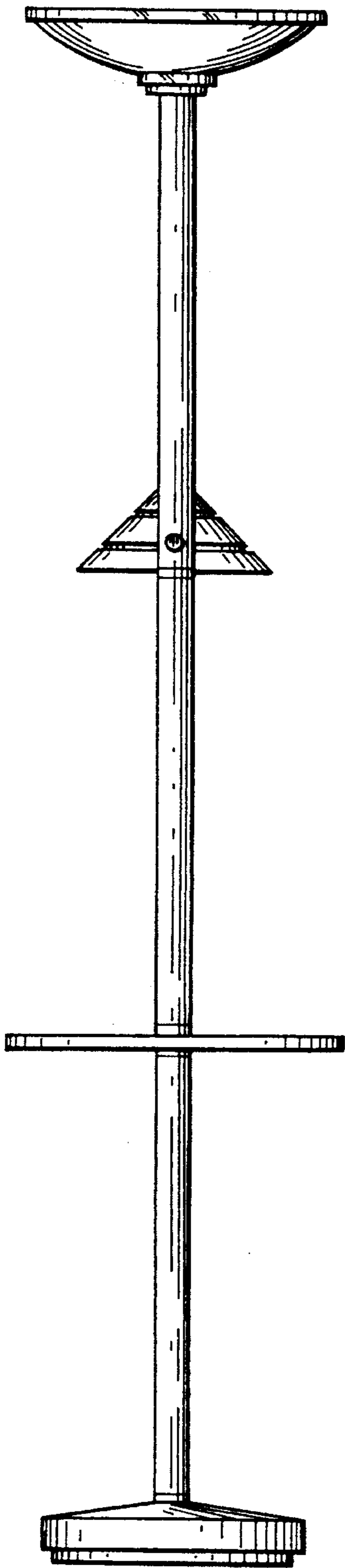


FIG. 3

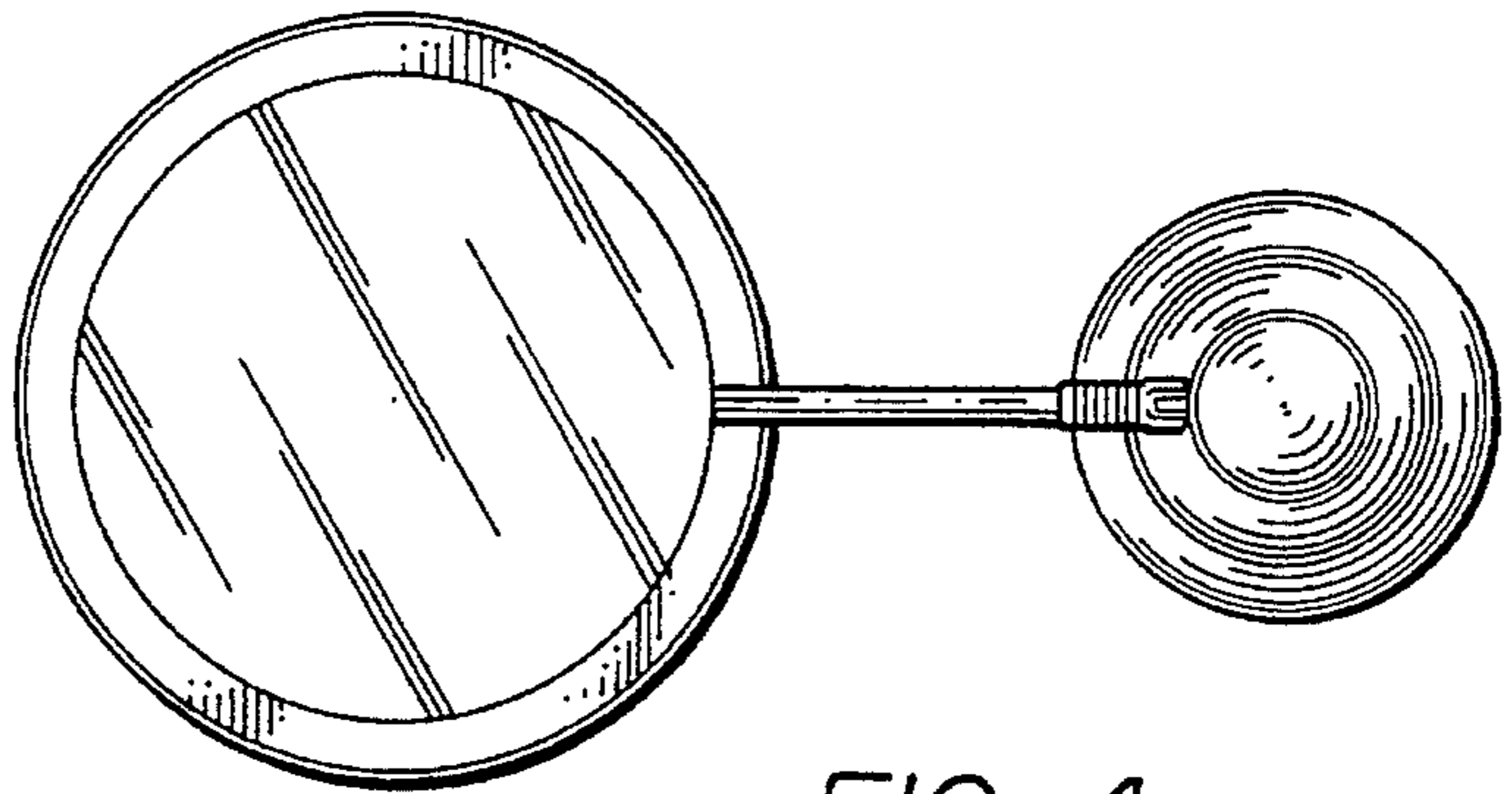


FIG. 4

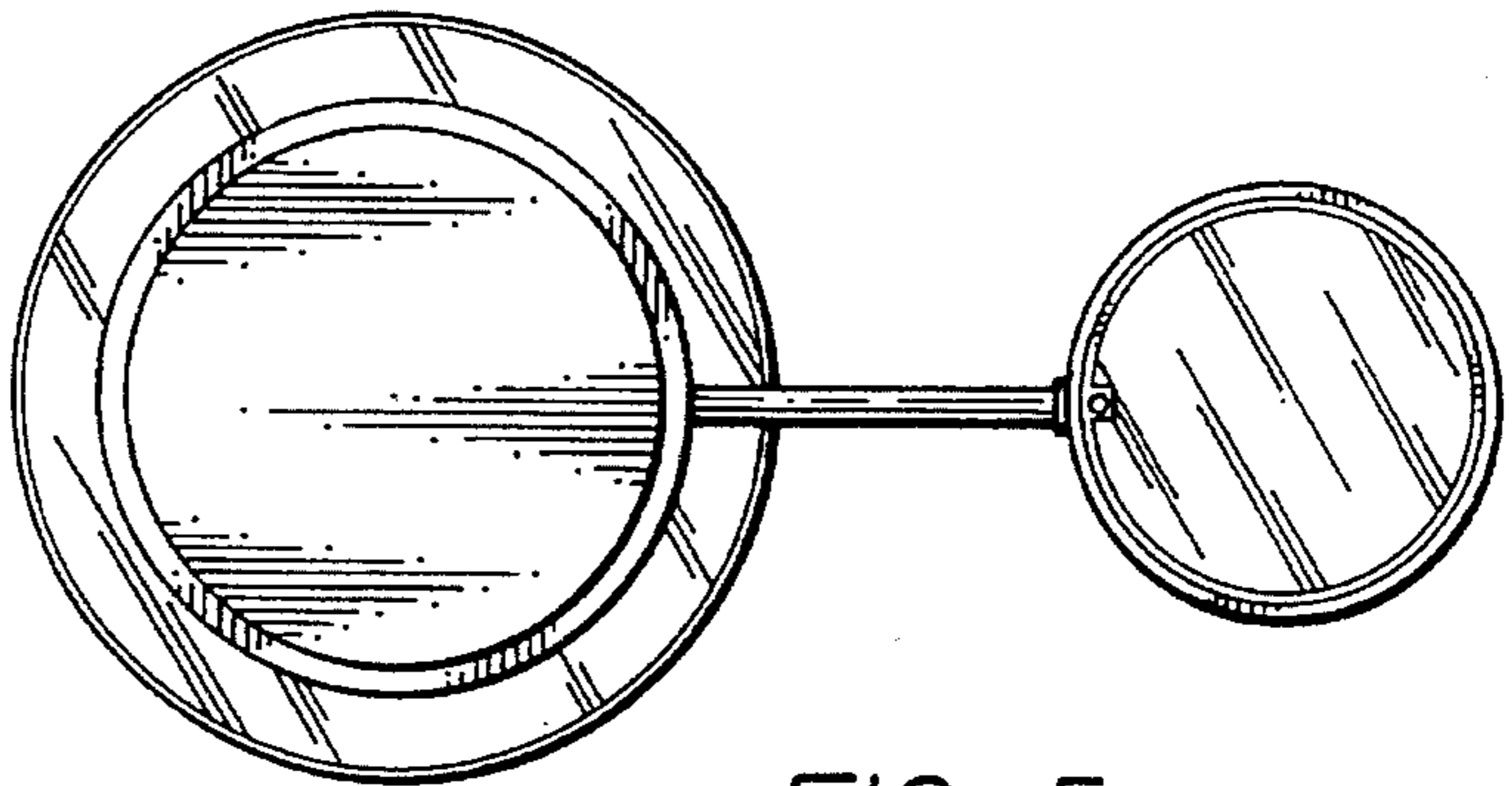


FIG. 5

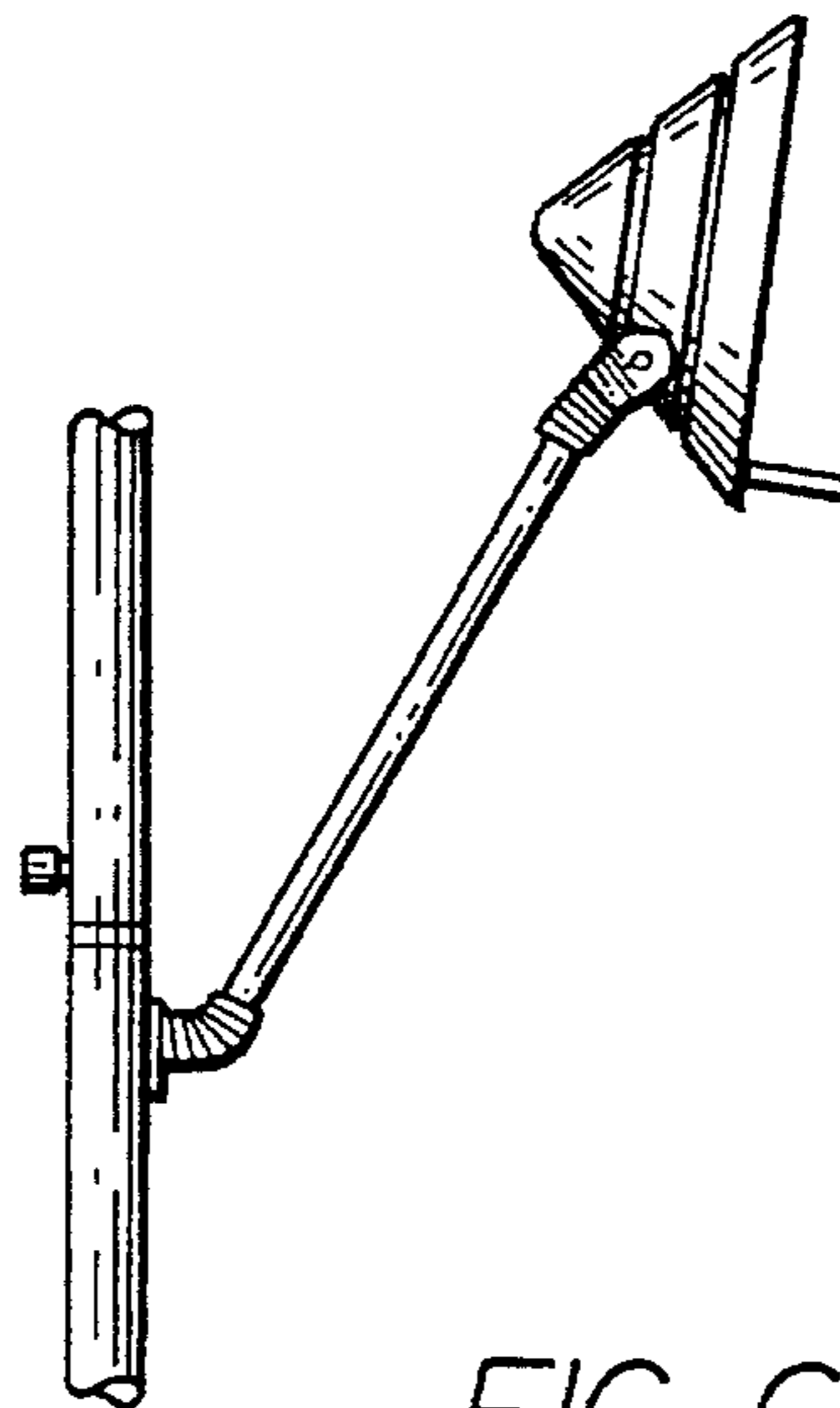


FIG. 6