



US00D369423S

United States Patent [19]

Garrity

[11] Patent Number: **Des. 369,423**

[45] Date of Patent: ****Apr. 30, 1996**

[54] FLASHLIGHT

D. 351,477 10/1994 Bamber D26/49

[75] Inventor: **Kevin S. Garrity**, Madison, Conn.

Primary Examiner—Susan J. Lucas

[73] Assignee: **Garrity Industries, Inc.**, Madison, Conn.

Attorney, Agent, or Firm—Fitzpatrick, Cella, Harper & Scinto

[**] Term: **14 Years**

[57] CLAIM

[21] Appl. No.: **33,202**

The ornamental design for a flashlight, as shown and described.

[22] Filed: **Jan. 6, 1995**

DESCRIPTION

[52] U.S. Cl. **D26/49**; D26/40

FIG. 1 is a side elevational view of a flashlight showing our new design in which a movable head and attached tube are in a first position;

[58] Field of Search D26/37, 46, 49; 362/157, 158, 183, 186, 202, 203, 184

FIG. 2 is a top plan view thereof;

FIG. 3 is a bottom plan view thereof;

FIG. 4 is a front elevational view thereof;

FIG. 5 is a rear elevational view thereof; and,

FIG. 6 is a side elevational view of the flashlight in which the movable head and attached tube are in a second position.

[56] References Cited

U.S. PATENT DOCUMENTS

D. 283,646	4/1986	Battarel et al.	D26/49
D. 299,274	1/1989	Ohashi	D26/49
D. 321,568	11/1991	Yuen	D26/40 X
D. 341,900	11/1993	Yuen	D26/40 X

1 Claim, 5 Drawing Sheets

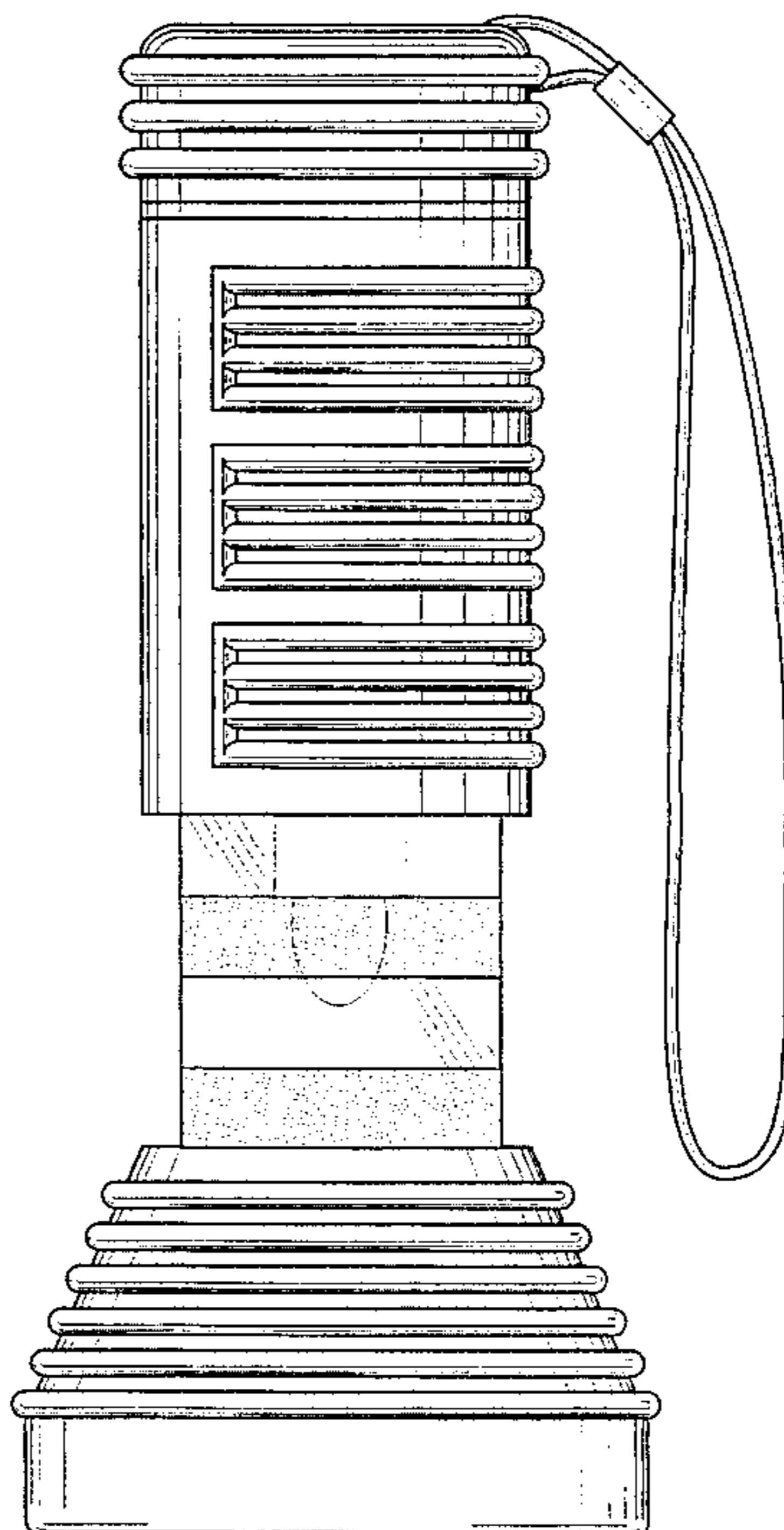
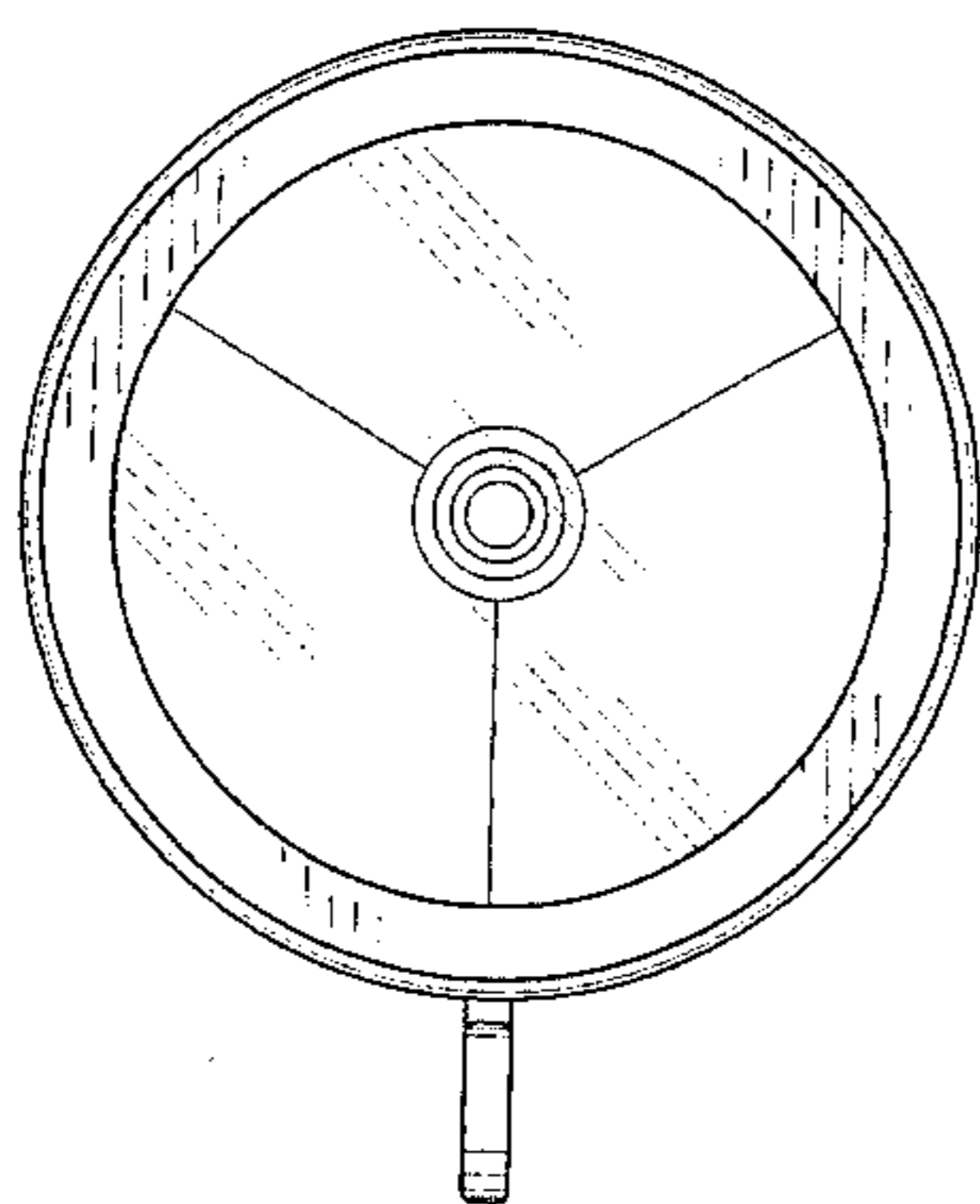
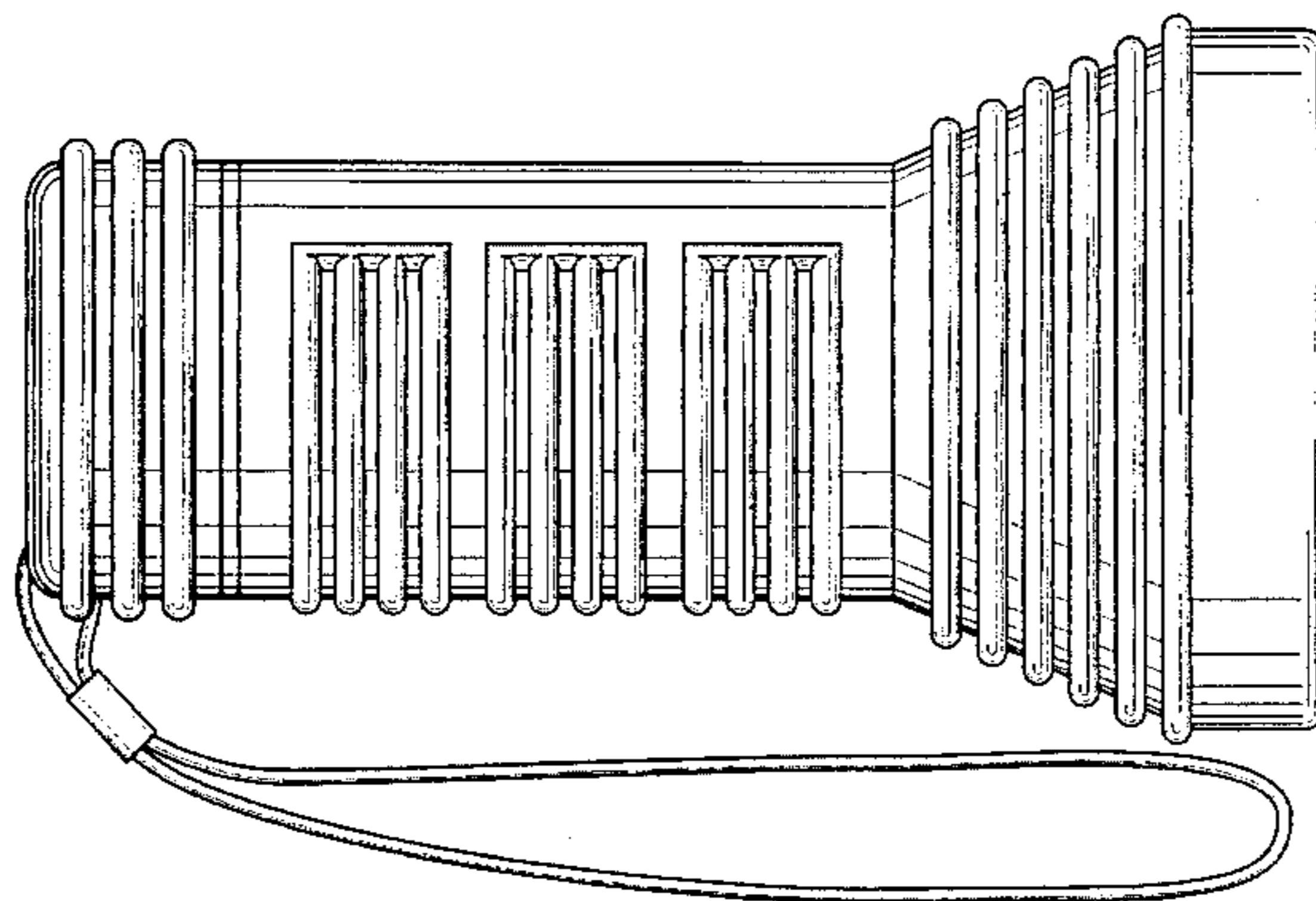


FIG. 1

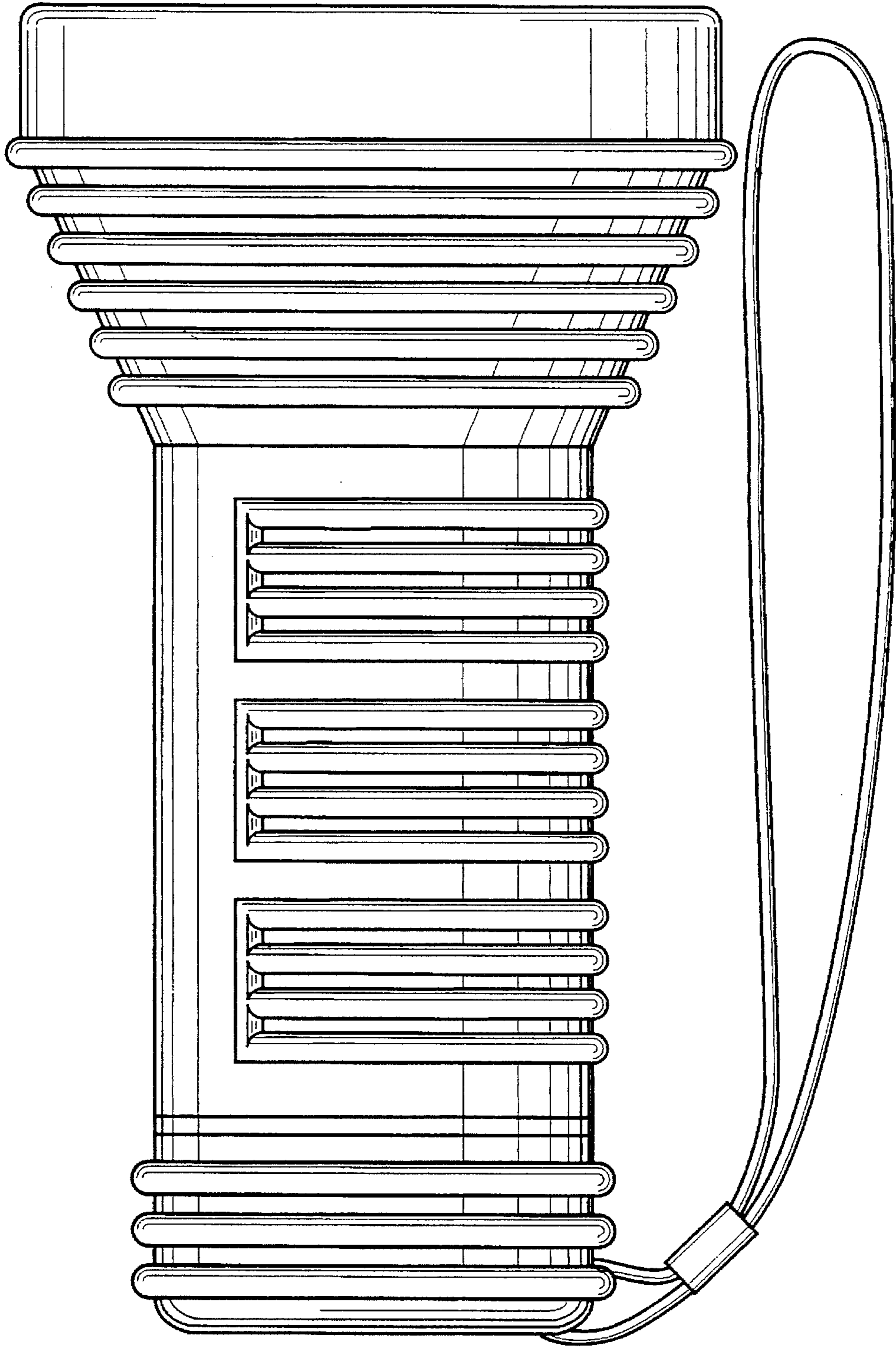


FIG. 2

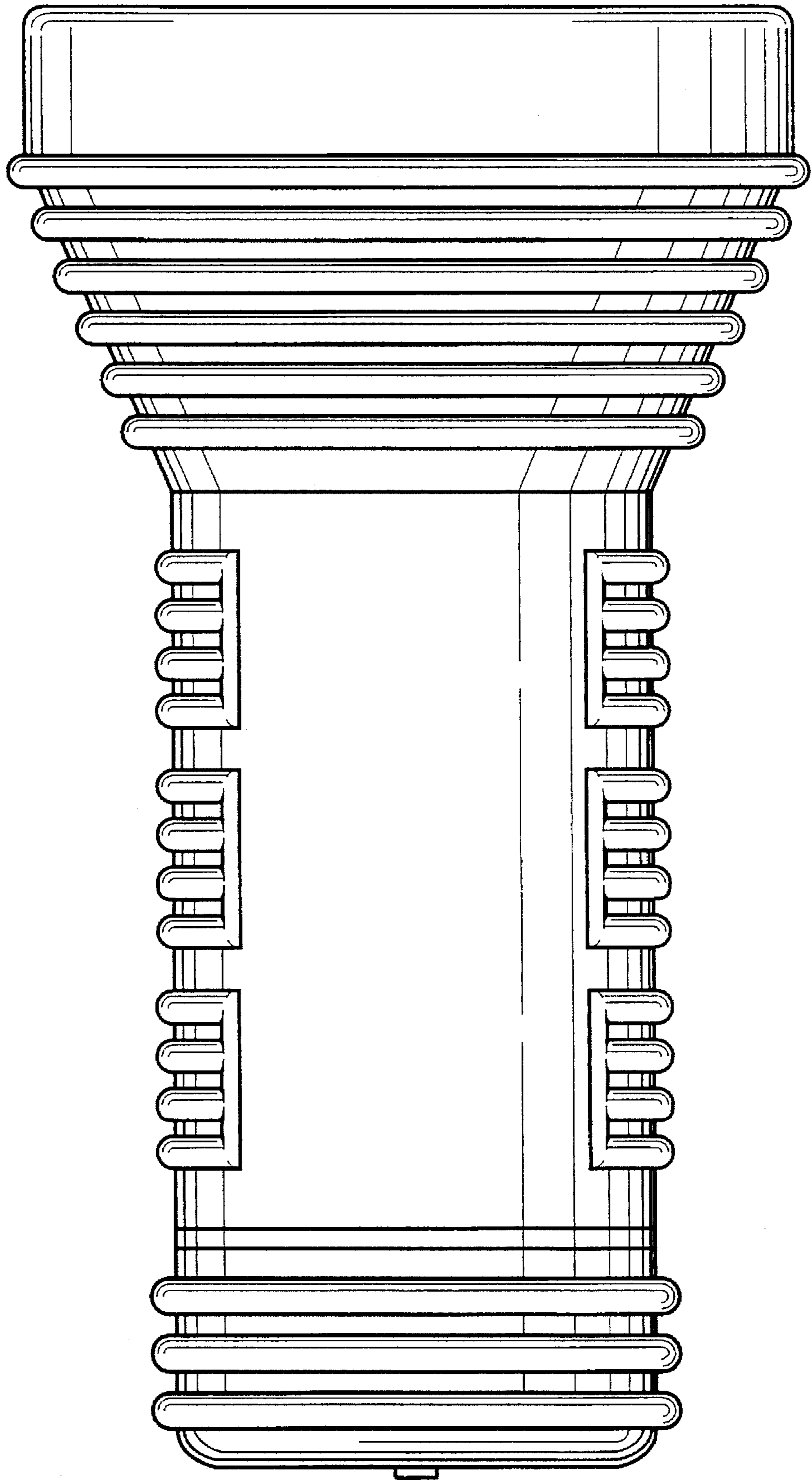


FIG. 3

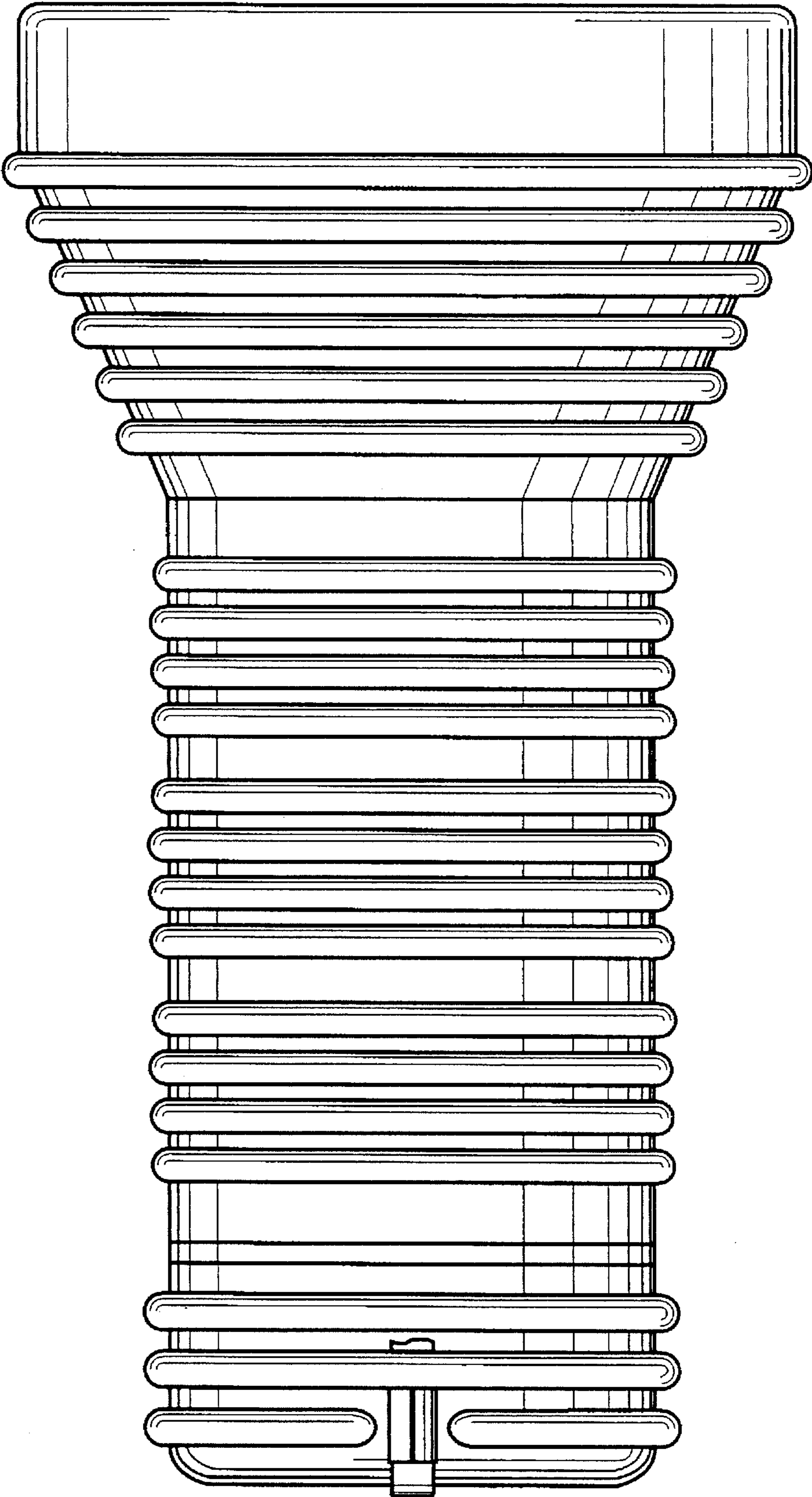


FIG. 5

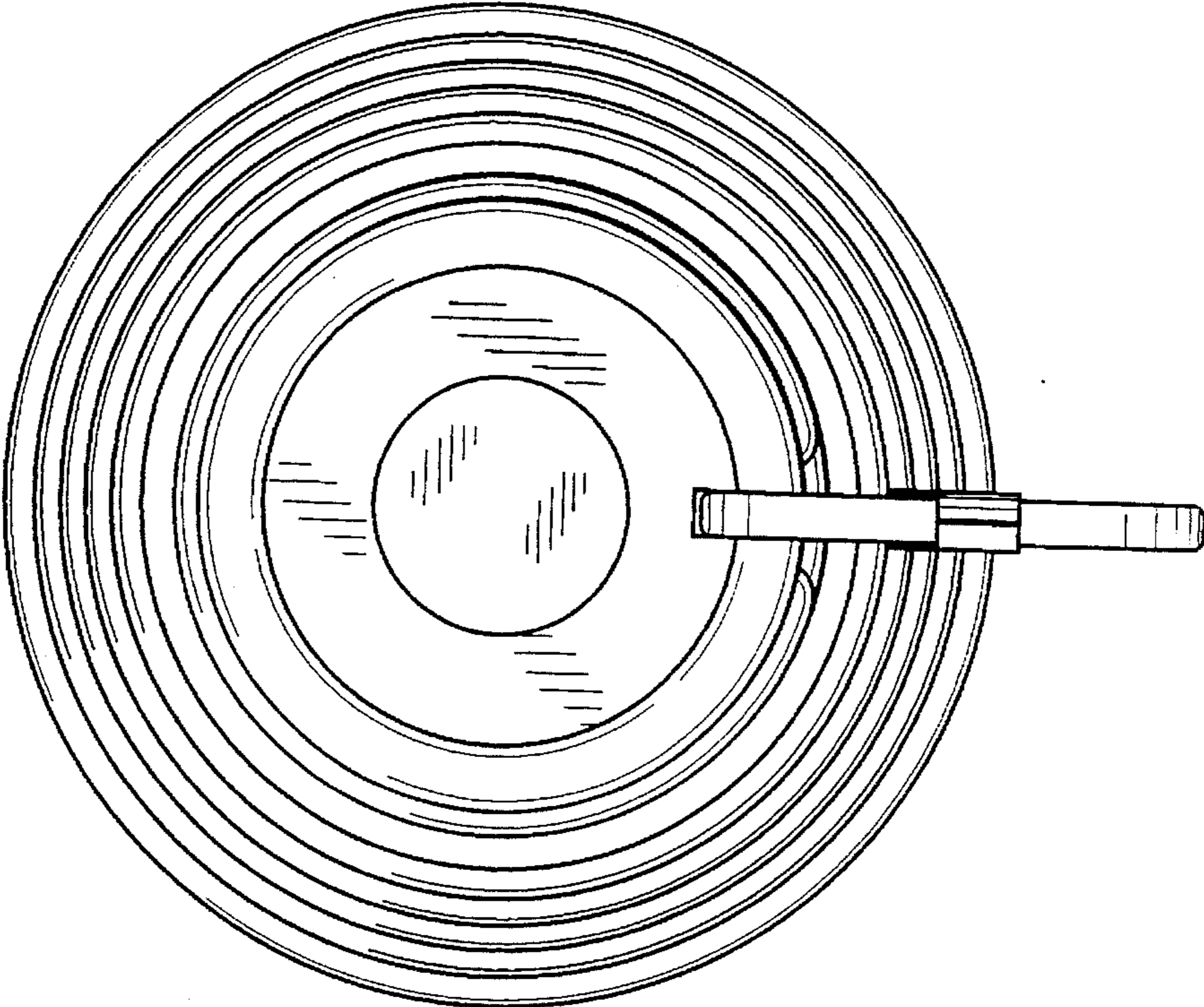


FIG. 4

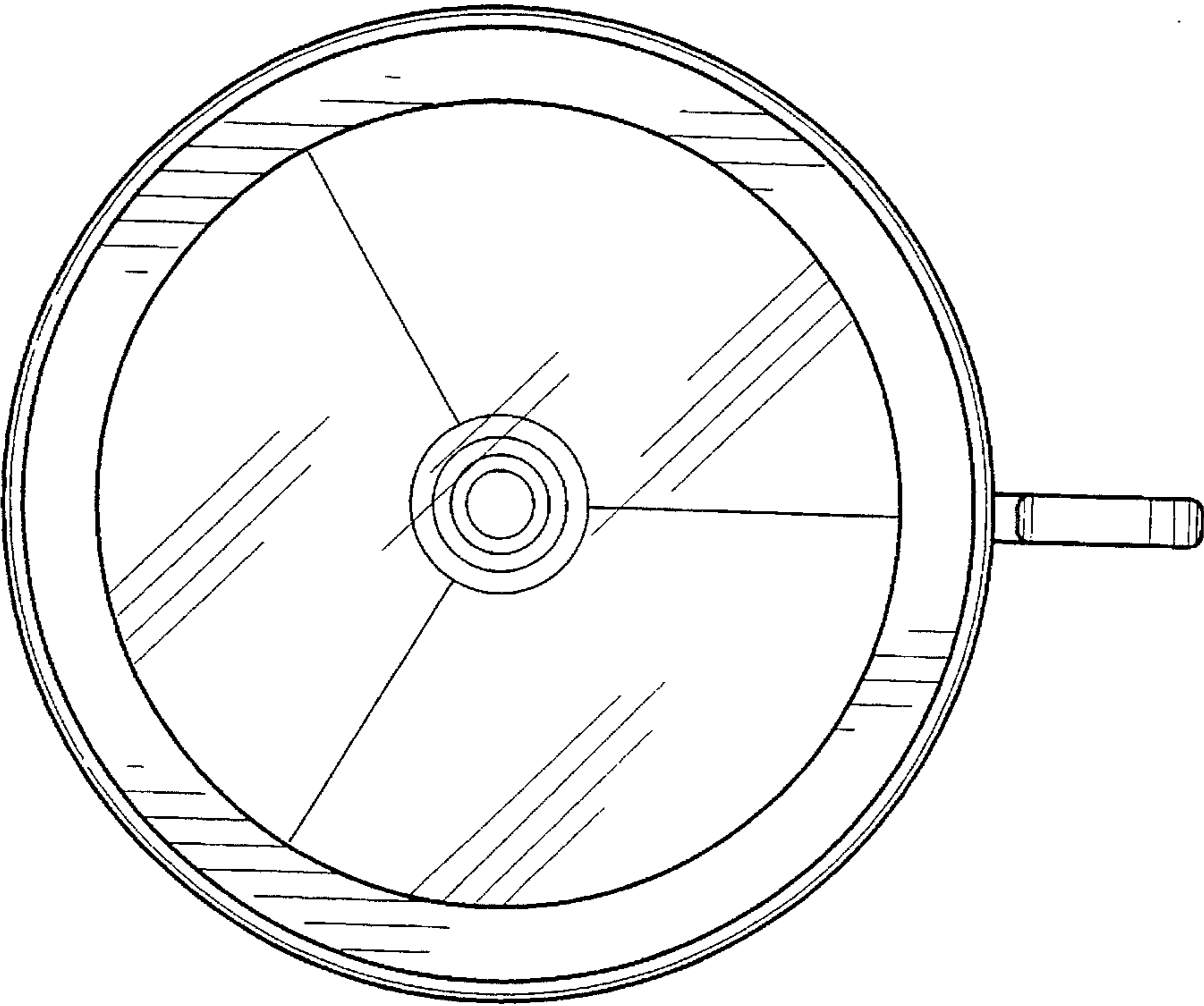


FIG. 6

