



US00D369422S

United States Patent [19]

Dalton et al.

[11] Patent Number: Des. 369,422

[45] Date of Patent: **Apr. 30, 1996

[54] FLASHLIGHT

[75] Inventors: **David Dalton**, Turrumurra; **John Brown**, Northbridge, both of Australia

[73] Assignee: **Eveready Australia Pty. Limited**, Rosebery, Australia

[**] Term: 14 Years

[21] Appl. No.: 8,989

[22] Filed: Jun. 2, 1993

[30] Foreign Application Priority Data

Dec. 3, 1992 [AU] Australia 3523/92

[52] U.S. Cl. D26/46

[58] Field of Search D26/37-50; 362/157, 362/158, 183, 184, 188-203

[56] References Cited

U.S. PATENT DOCUMENTS

D. 296,477	6/1988	Powell et al.	D26/46
D. 298,572	11/1988	Murrell et al.	D26/46
D. 309,952	8/1990	Lee	D26/49

FOREIGN PATENT DOCUMENTS

241006 10/1975 Germany 362/202

Primary Examiner—Susan J. Lucas
Attorney, Agent, or Firm—Breiner & Breiner

[57] CLAIM

The ornamental design for a flashlight, as shown and described.

DESCRIPTION

FIG. 1 is a perspective view of the first embodiment of a flashlight;

FIG. 2 is a right side view of FIG. 1 thereof;

FIG. 3 is a left side view of FIG. 1 thereof;

FIG. 4 is a front side view of FIG. 1 thereof;

FIG. 5 is a top plan view of FIG. 1 thereof;

FIG. 6 is a rear side view of FIG. 1 thereof;

FIG. 7 is a bottom plan view of FIG. 1 thereof;

FIG. 8 is a perspective view of a second embodiment of our new design;

FIG. 9 is a right side view of FIG. 8 thereof;

FIG. 10 is a left side view of FIG. 8 thereof;

FIG. 11 is a front side view of FIG. 8 thereof;

FIG. 12 is a top plan view of FIG. 8 thereof;

FIG. 13 is a rear side view of FIG. 8 thereof; and,

FIG. 14 is a bottom plan view of FIG. 8.

1 Claim, 3 Drawing Sheets

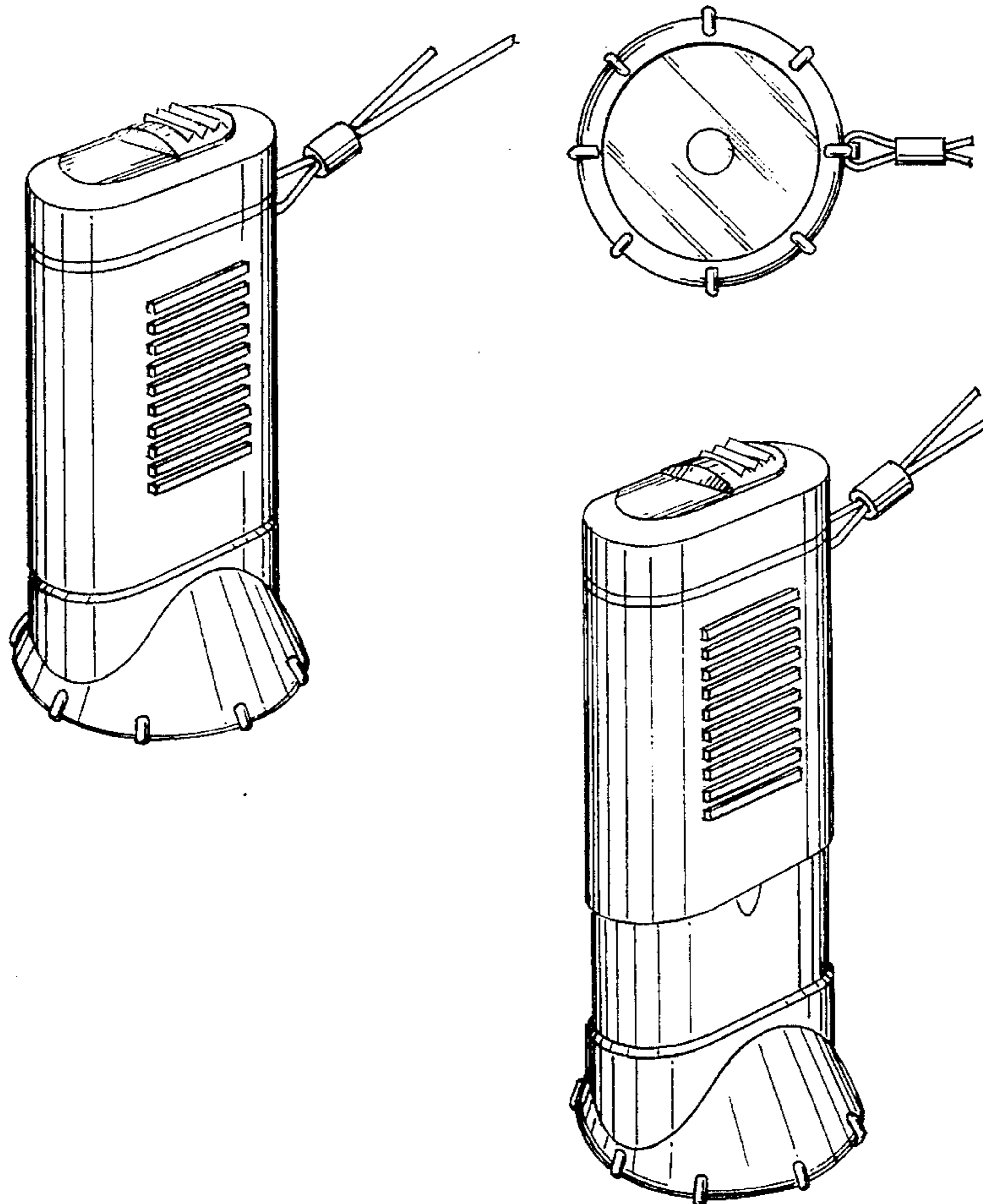


FIG. 1

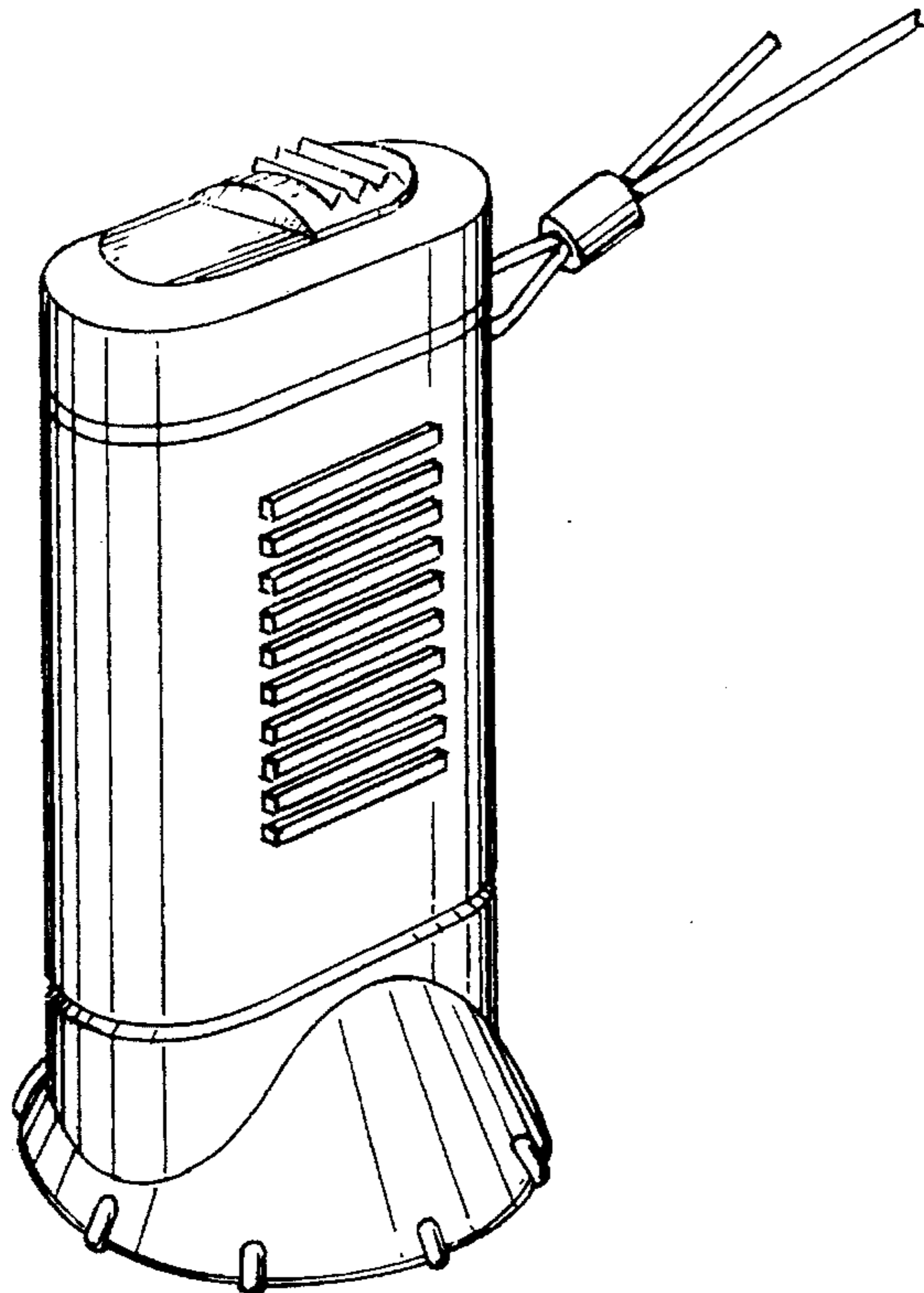


FIG. 2

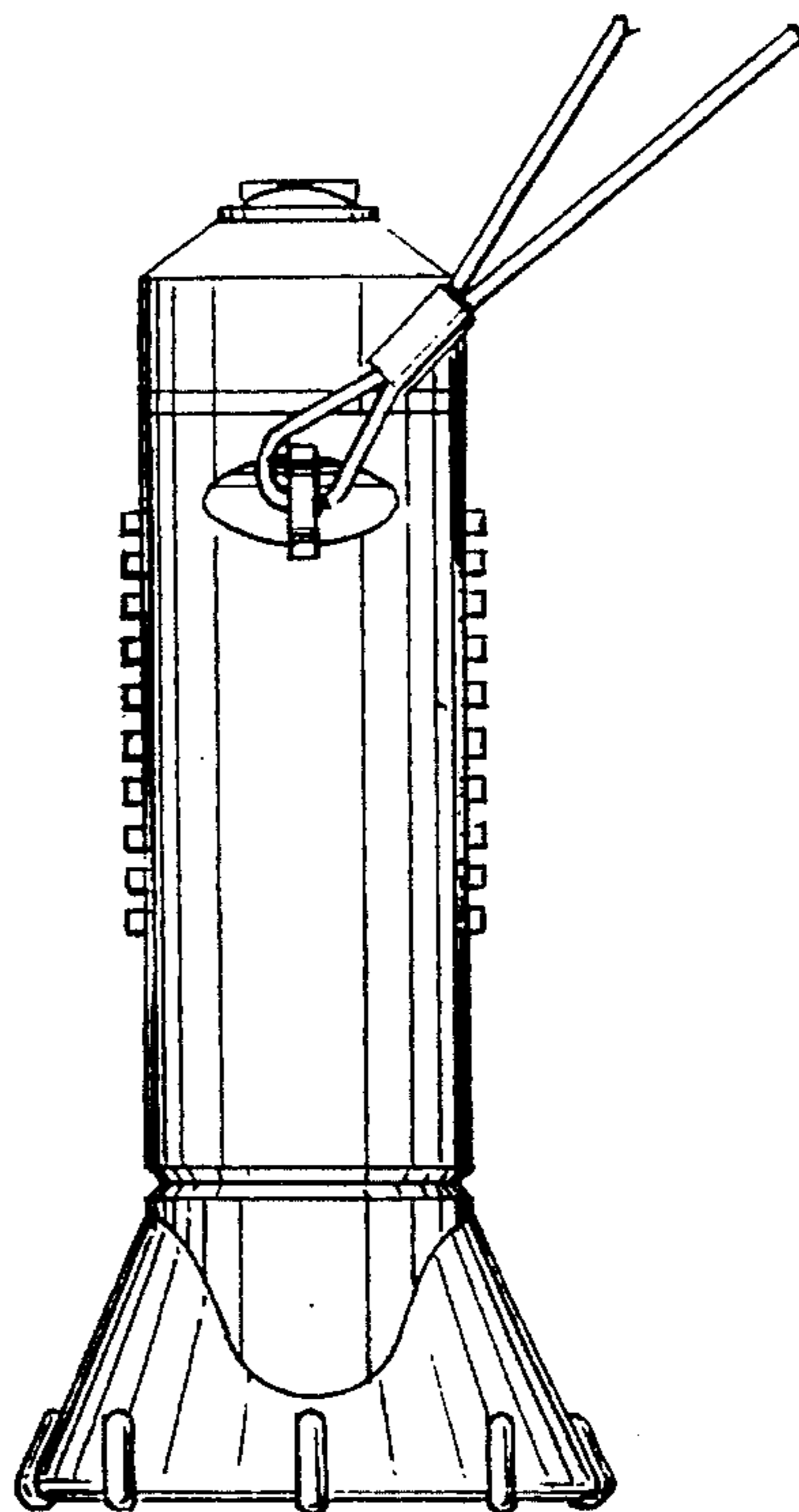


FIG. 3

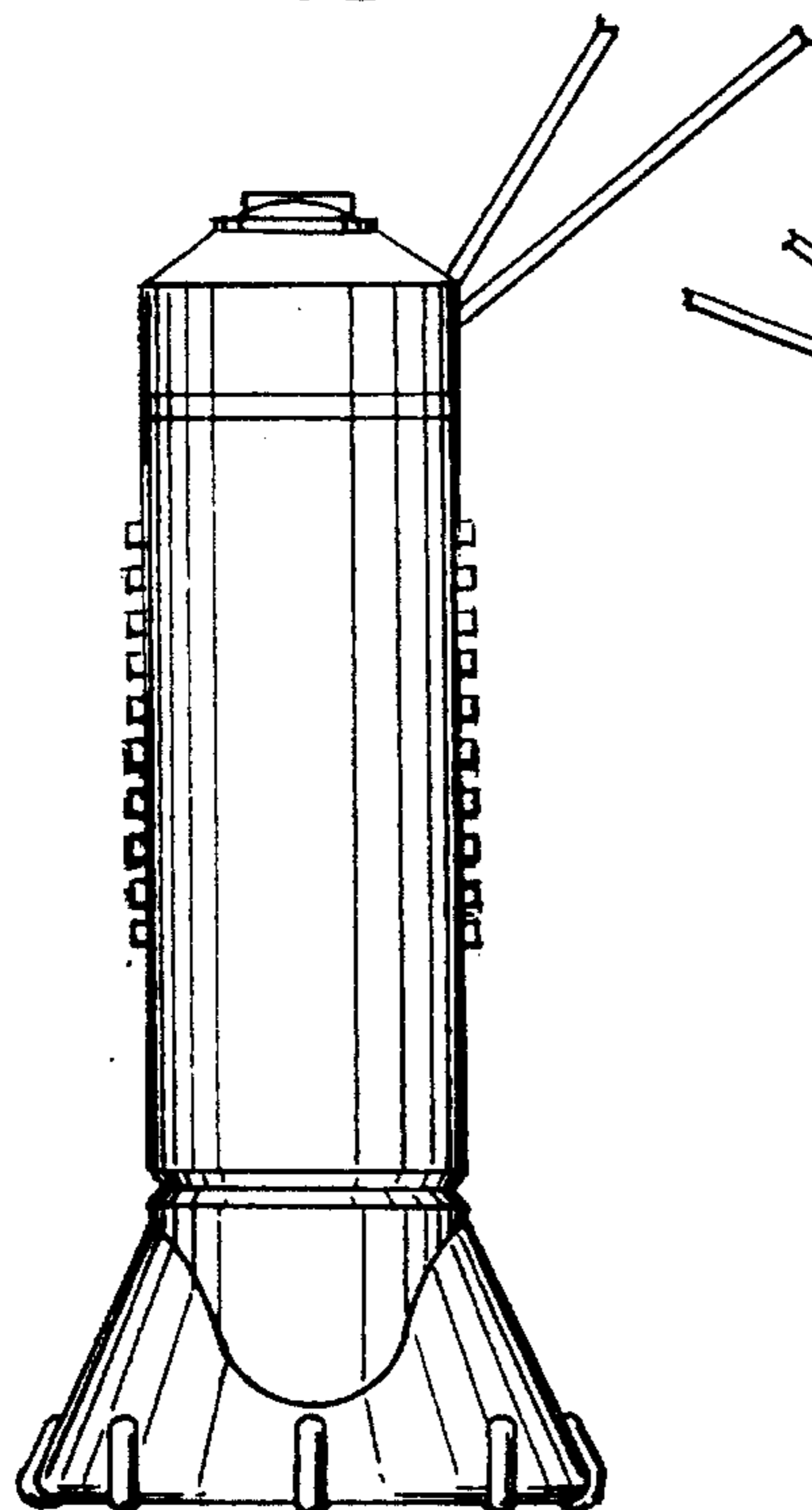
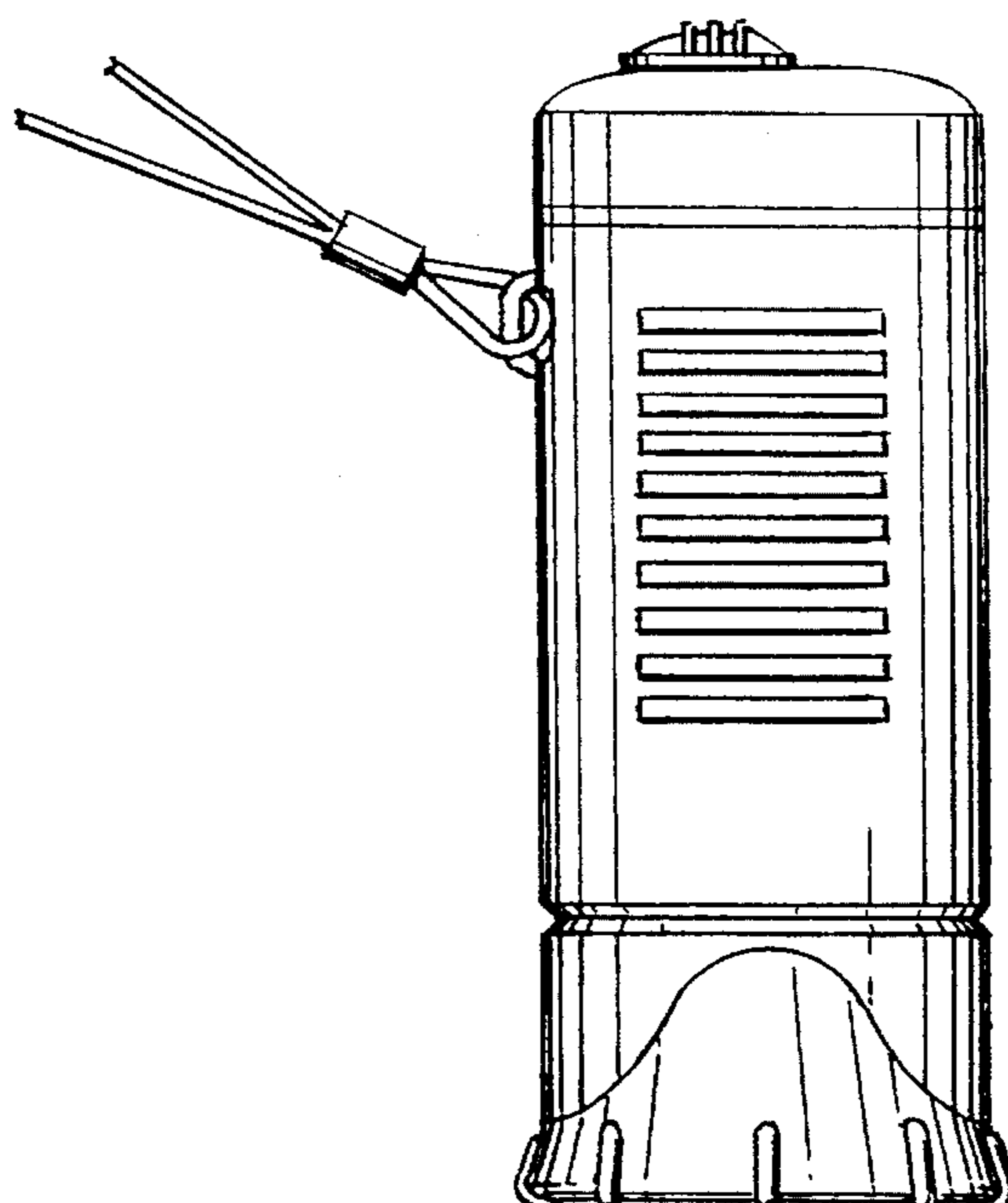


FIG. 4



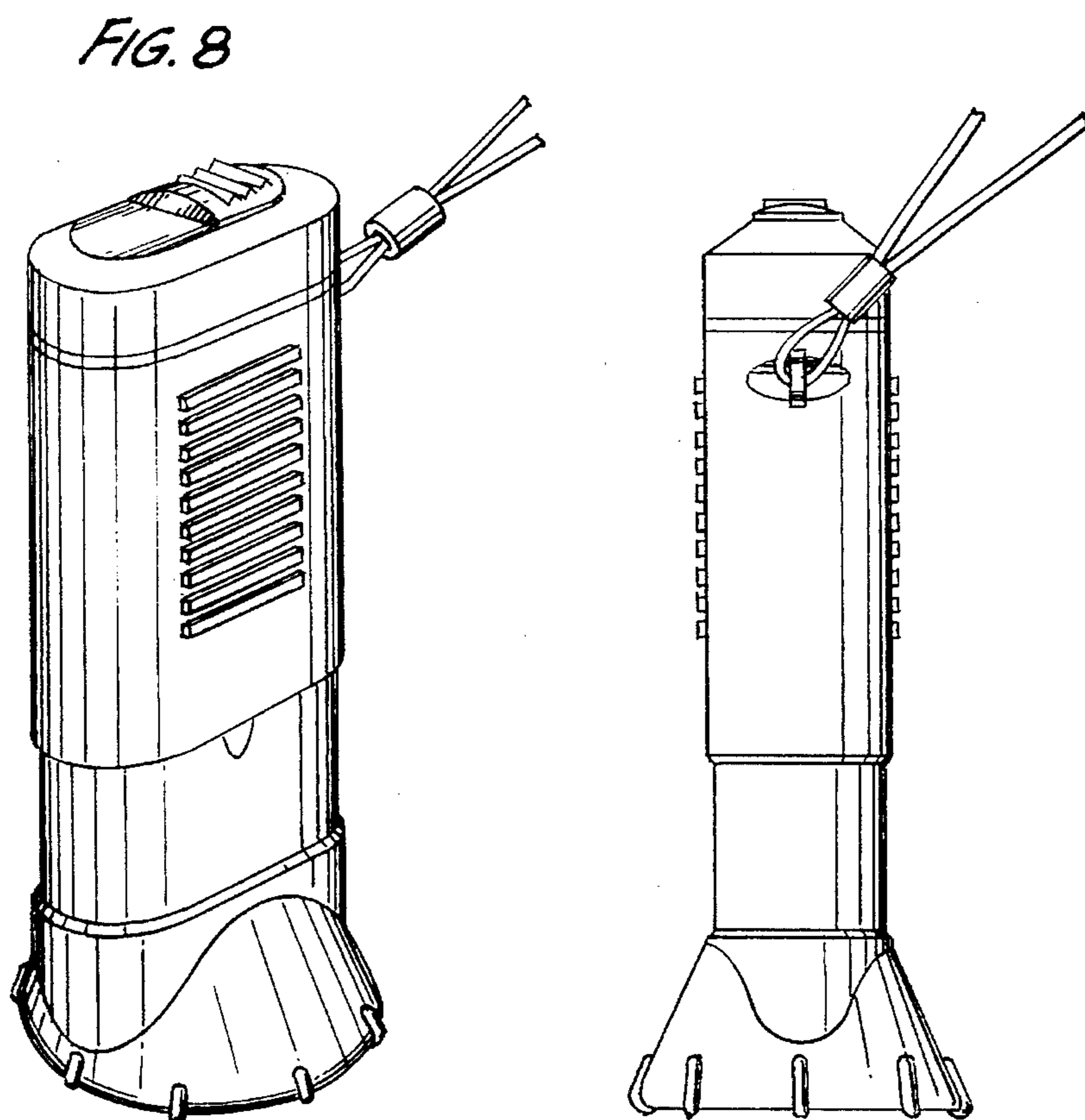
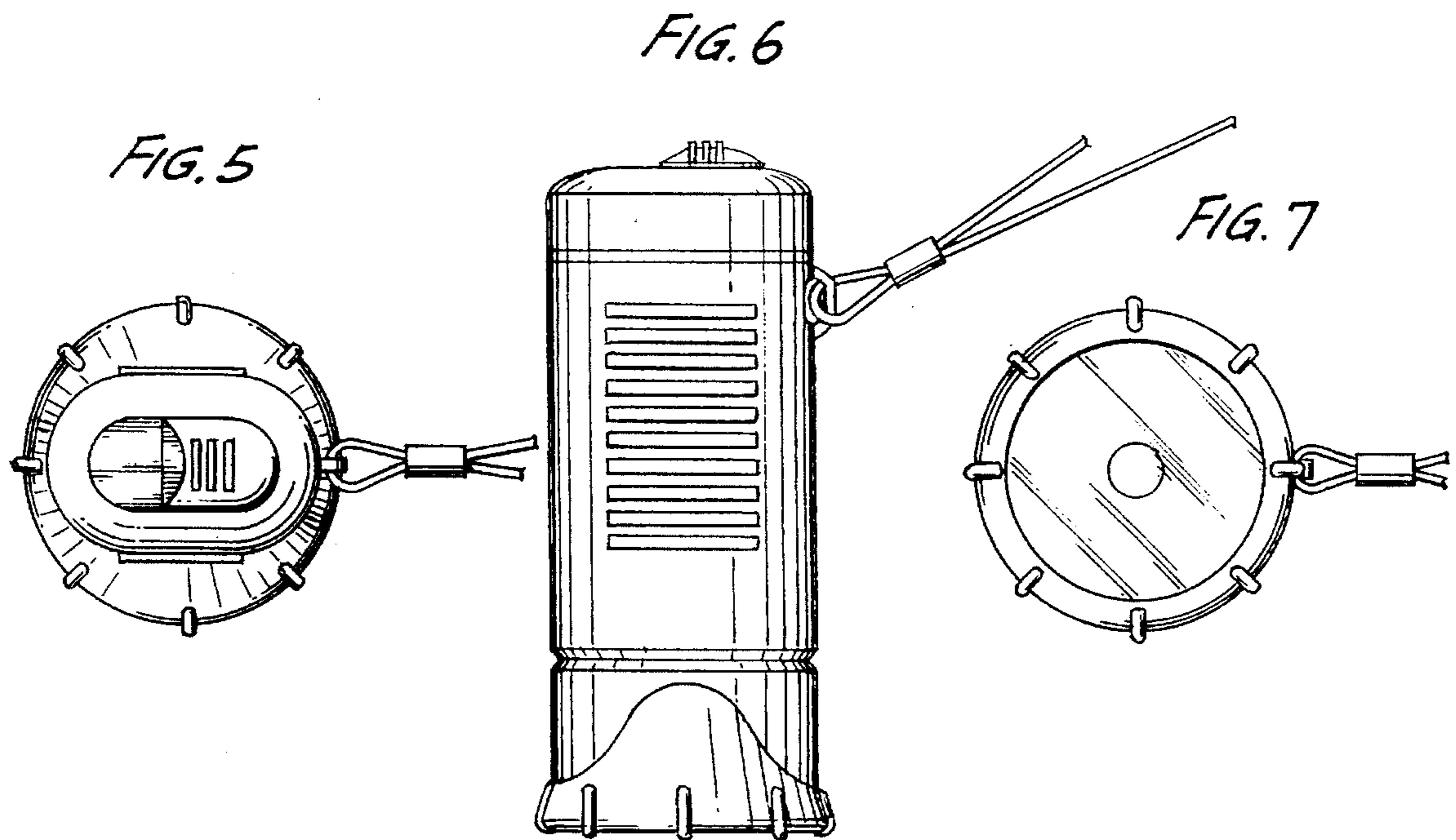


FIG. 10

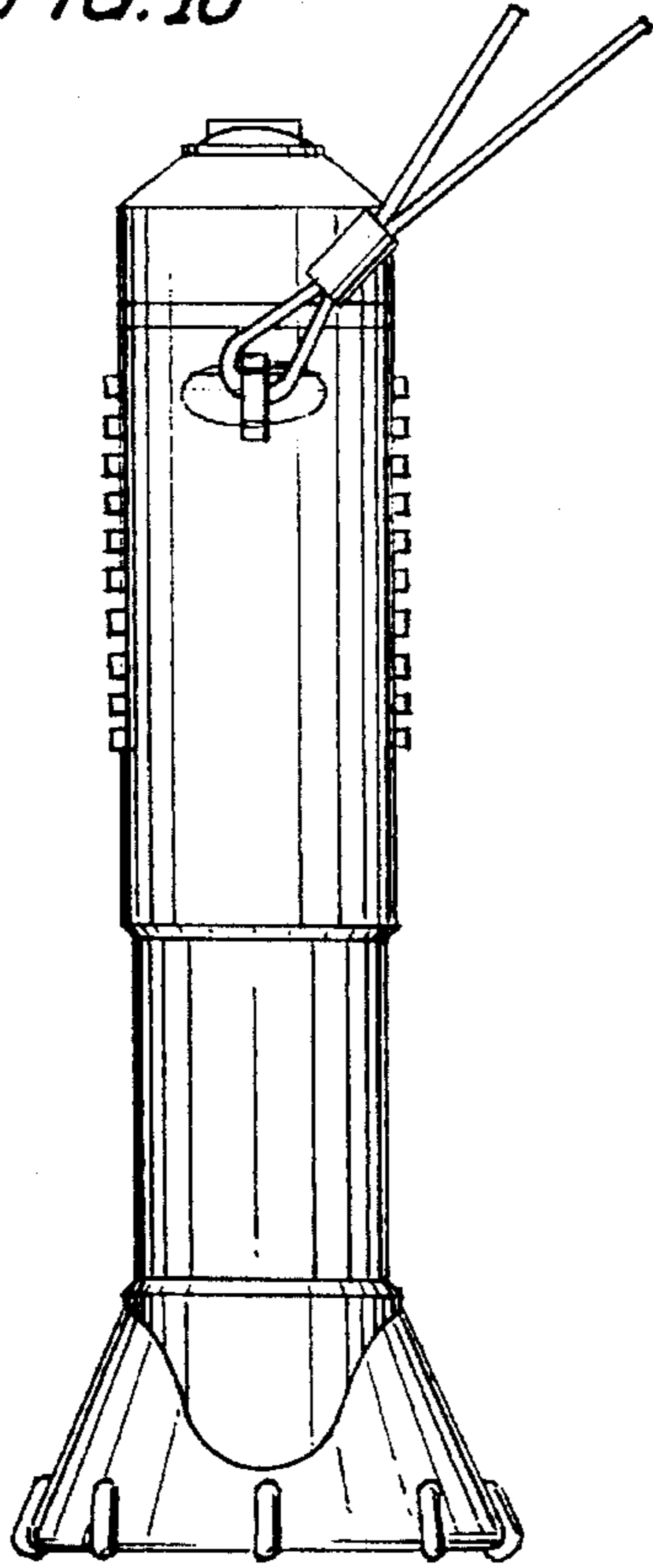


FIG. 11

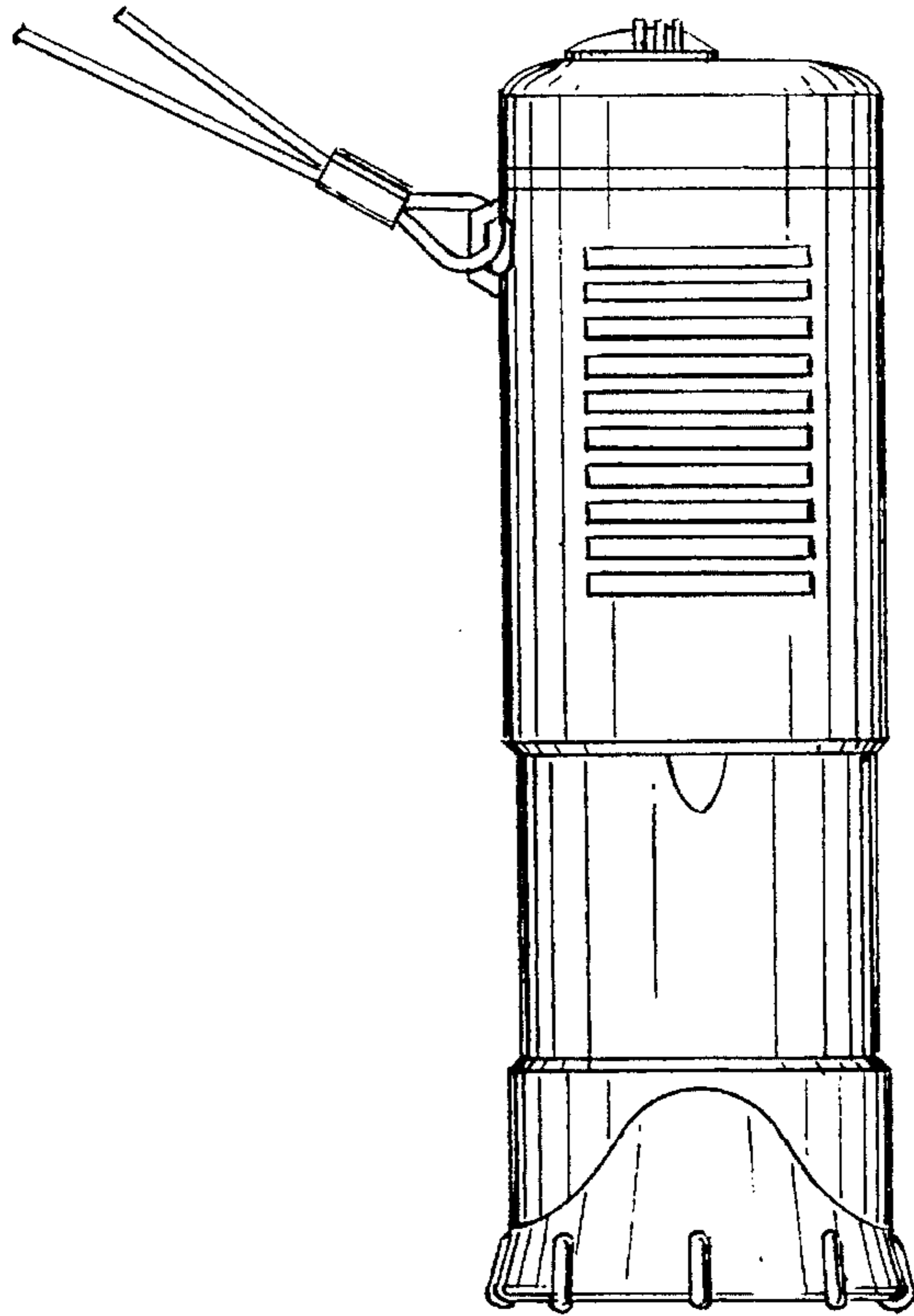


FIG. 13

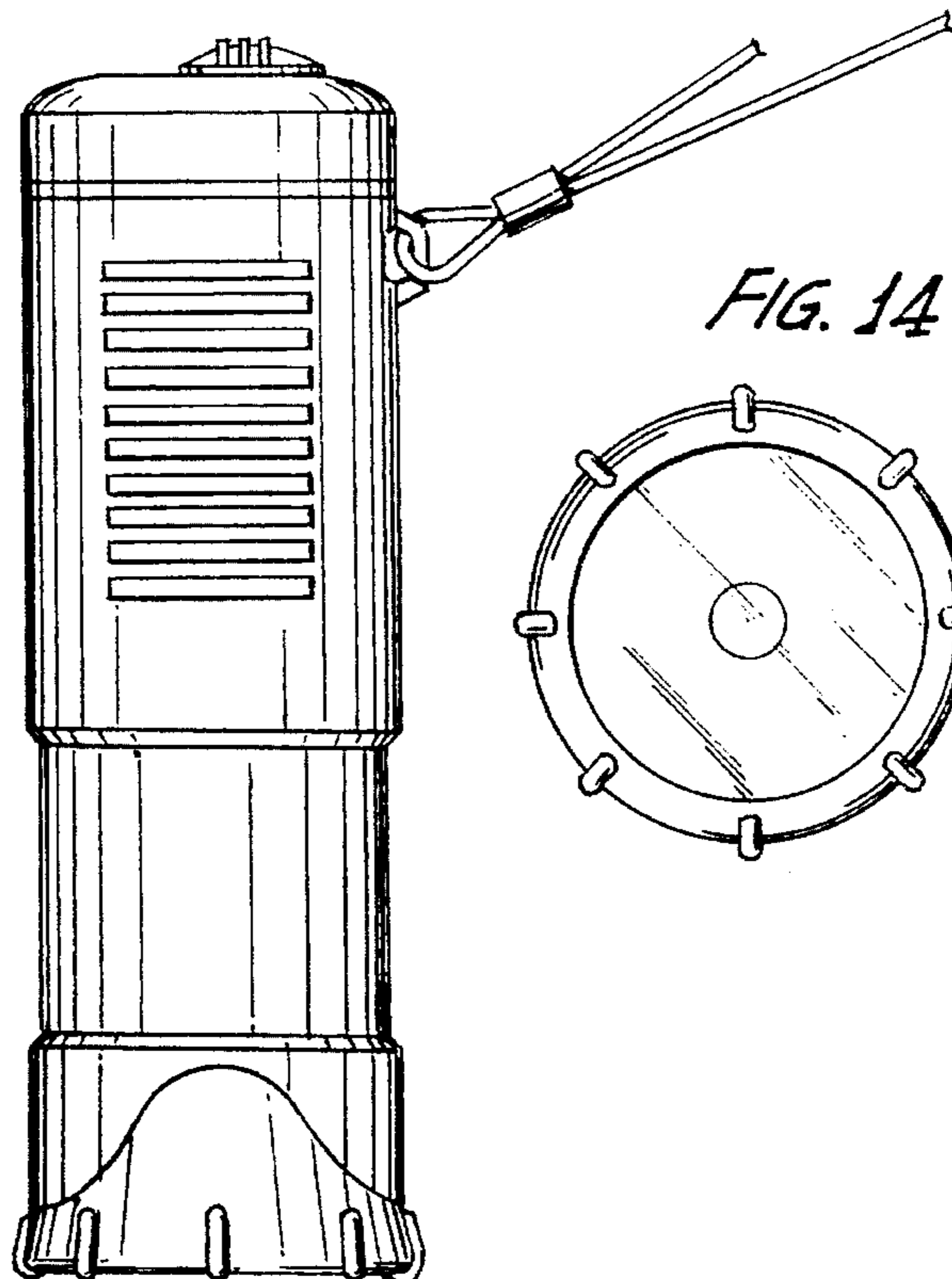


FIG. 12

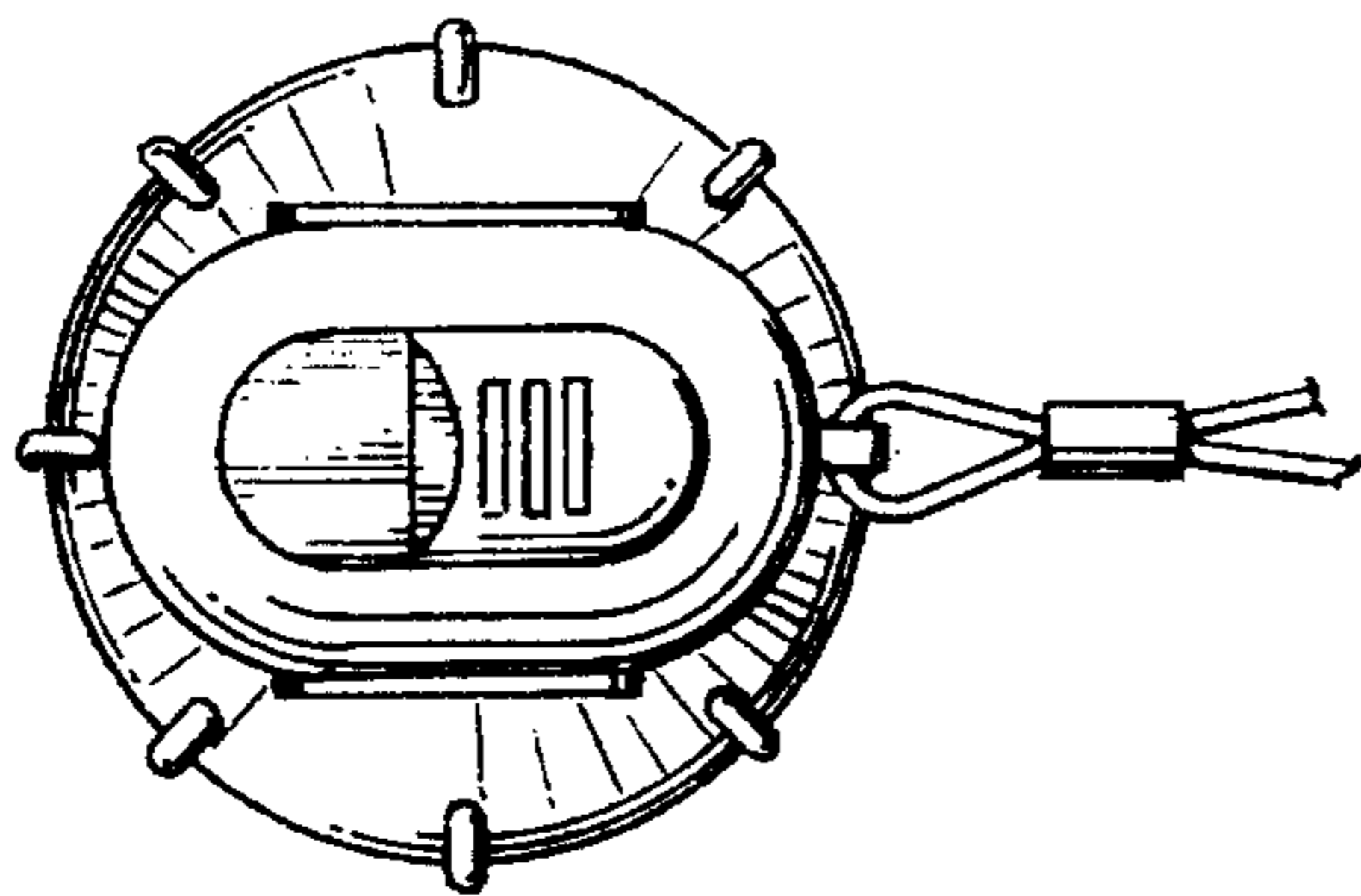


FIG. 14

