



US00D369418S

United States Patent [19]

Franson

[11] Patent Number: **Des. 369,418**

[45] Date of Patent: ****Apr. 30, 1996**

[54] WINDOW COMPONENT EXTRUSION

[75] Inventor: **Jeffrey R. Franson**, Kent, Wash.

[73] Assignee: **Mikron Industries**, Kent, Wash.

[**] Term: **14 Years**

[21] Appl. No.: **39,445**

[22] Filed: **May 31, 1995**

[52] U.S. Cl. **D25/124**

[58] Field of Search D25/52, 60, 124,
D25/125; 49/DIG. 2, 504, 505; 52/204.5,
204.56, 204.51, 730.3, 204.1

[56] **References Cited**

U.S. PATENT DOCUMENTS

D. 351,241 10/1994 Cole D25/124

D. 357,754 4/1995 Franson D25/124
4,569,154 2/1986 Bayer 49/504
4,740,405 4/1988 Tanaka et al. 49/504

Primary Examiner—Doris Clark
Attorney, Agent, or Firm—Seed and Berry

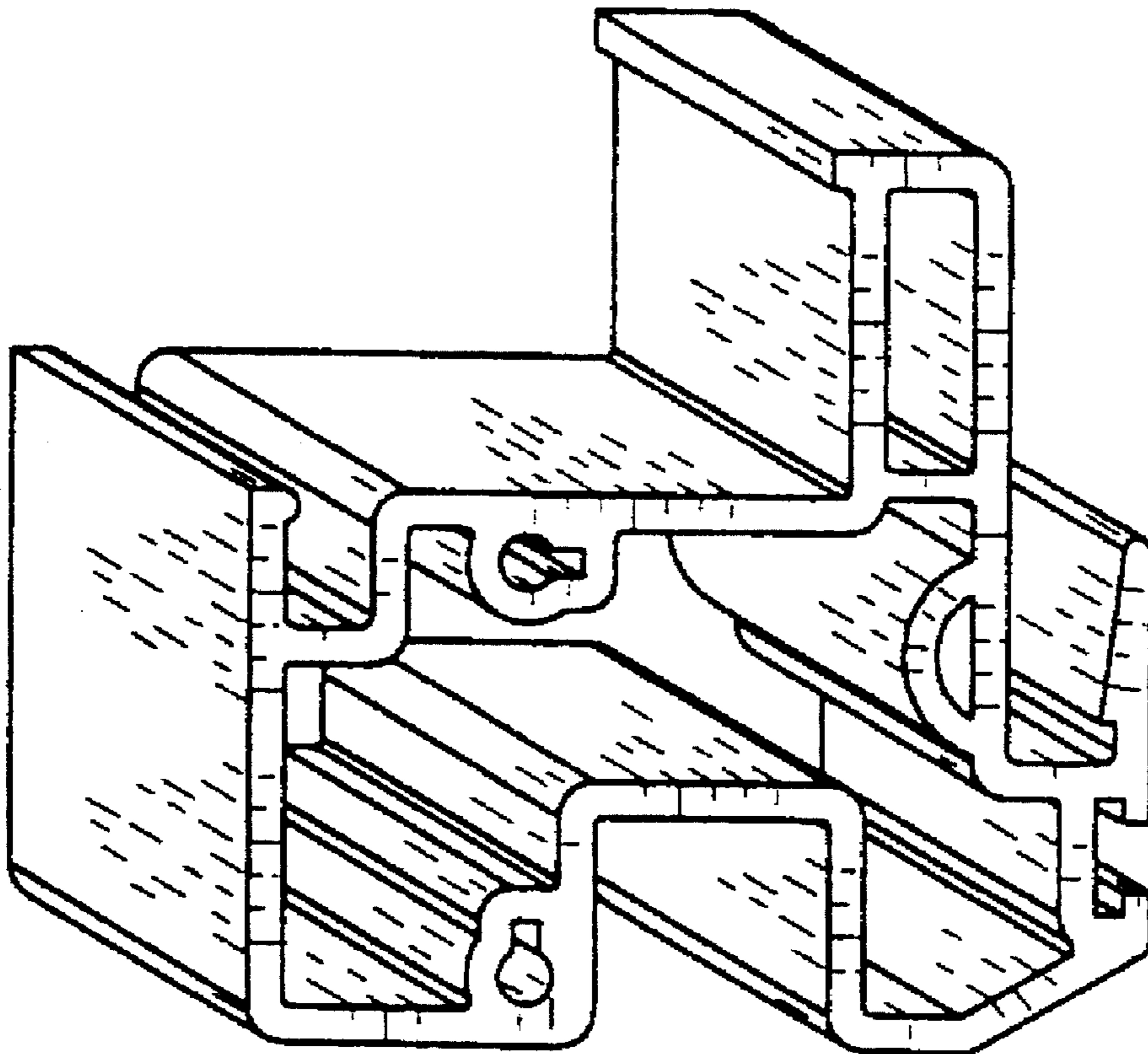
[57] **CLAIM**

The ornamental design for a window component extrusion, as shown and described.

DESCRIPTION

FIG. 1 is a top right perspective view of a window component extrusion showing my new design, the window component extrusion being of indefinite length; and, FIG. 2 is a bottom left perspective view thereof.

1 Claim, 1 Drawing Sheet



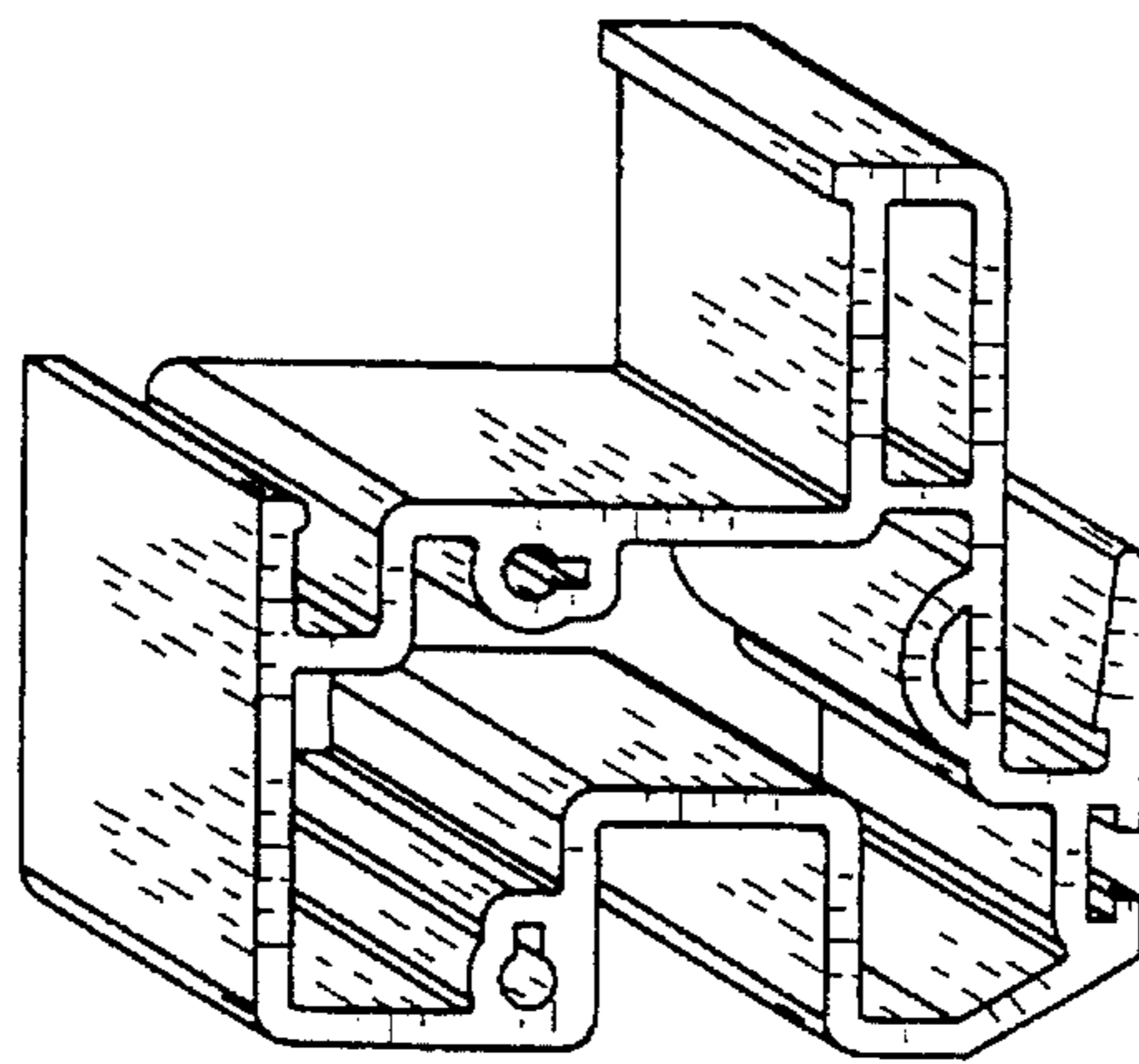


FIG. 1

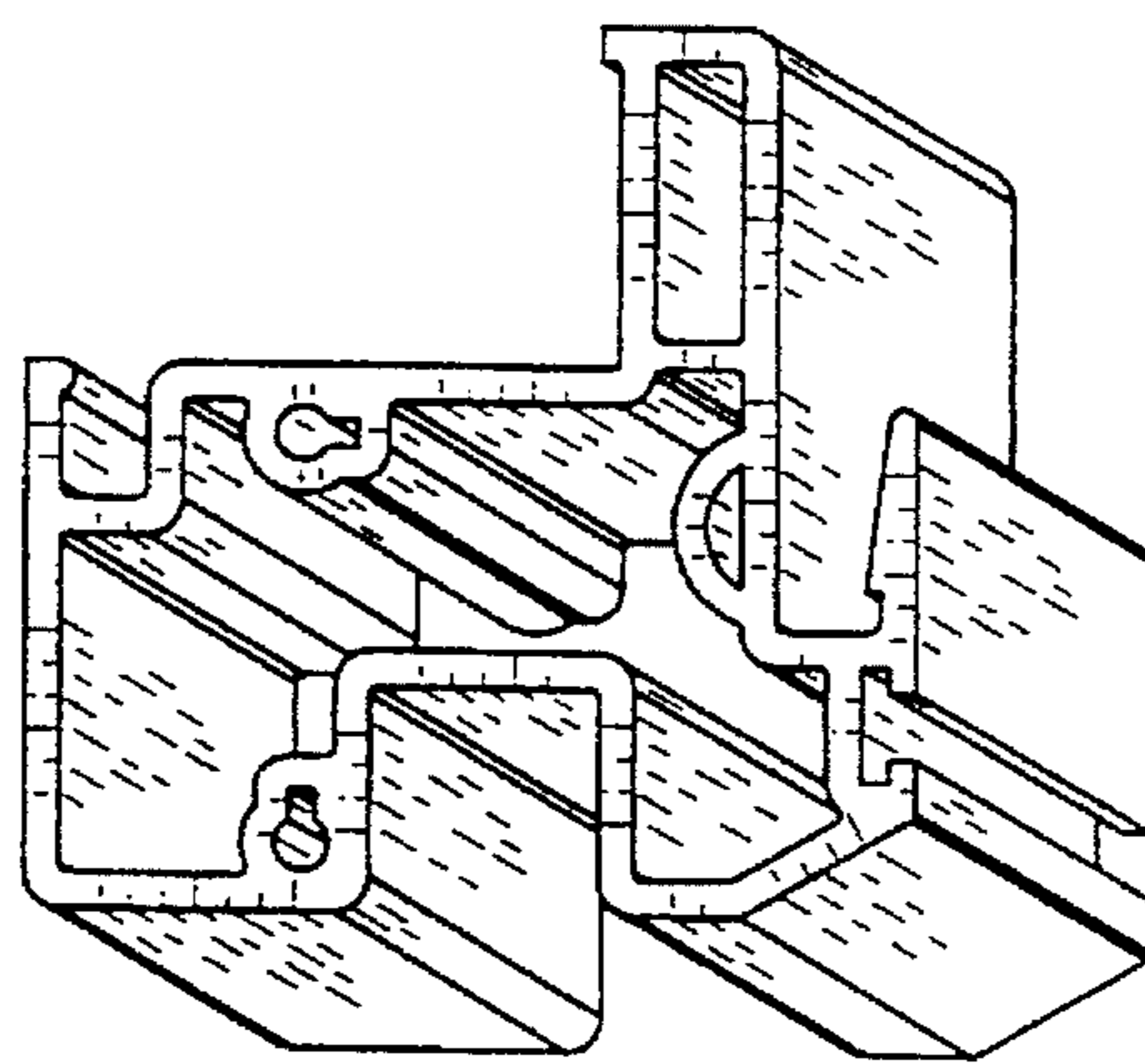


FIG. 2