



US00D369417S

United States Patent [19]

[11] Patent Number: **Des. 369,417**

Evans

[45] Date of Patent: ****Apr. 30, 1996**

[54] **COMBINED CLEANOUT BLOCK AND TILE**

[75] Inventor: **Allan J. Evans**, Wacol, Australia

[73] Assignee: **Boral Resources (QLD) Pty. Limited**, Australia

[**] Term: **14 Years**

[21] Appl. No.: **23,061**

[22] Filed: **May 17, 1994**

[30] **Foreign Application Priority Data**

Nov. 18, 1993 [AU] Australia 3656/93

[52] U.S. Cl. **D25/118**

[58] Field of Search D25/113, 118, D25/157-163; 52/596, 605, 608, 598

[56] **References Cited**

U.S. PATENT DOCUMENTS

826,639 7/1906 Worster D25/113
3,025,641 3/1962 Ahtiainen D25/113

Primary Examiner—Doris Clark
Attorney, Agent, or Firm—Amster, Rothstein & Ebenstein

[57] **CLAIM**

The ornamental design for a combined cleanout block and tile, as shown and described.

DESCRIPTION

FIG. 1 is a bottom, front, right side perspective view of a first

embodiment of a combined cleanout block and tile;

FIG. 2 is a top, back, right side perspective view showing the cleanout block in the first embodiment;

FIG. 3 is a bottom, front, right side perspective view thereof, the left side being identical thereto;

FIG. 4 is a bottom, front, right side perspective view of a second embodiment of the combined cleanout block and tile;

FIG. 5 is a top, back, right side perspective view showing the cleanout block in the second embodiment;

FIG. 6 is a bottom, front, right side perspective view thereof;

FIG. 7 is a top, front, right side perspective view of a third embodiment of a combined cleanout block and tile;

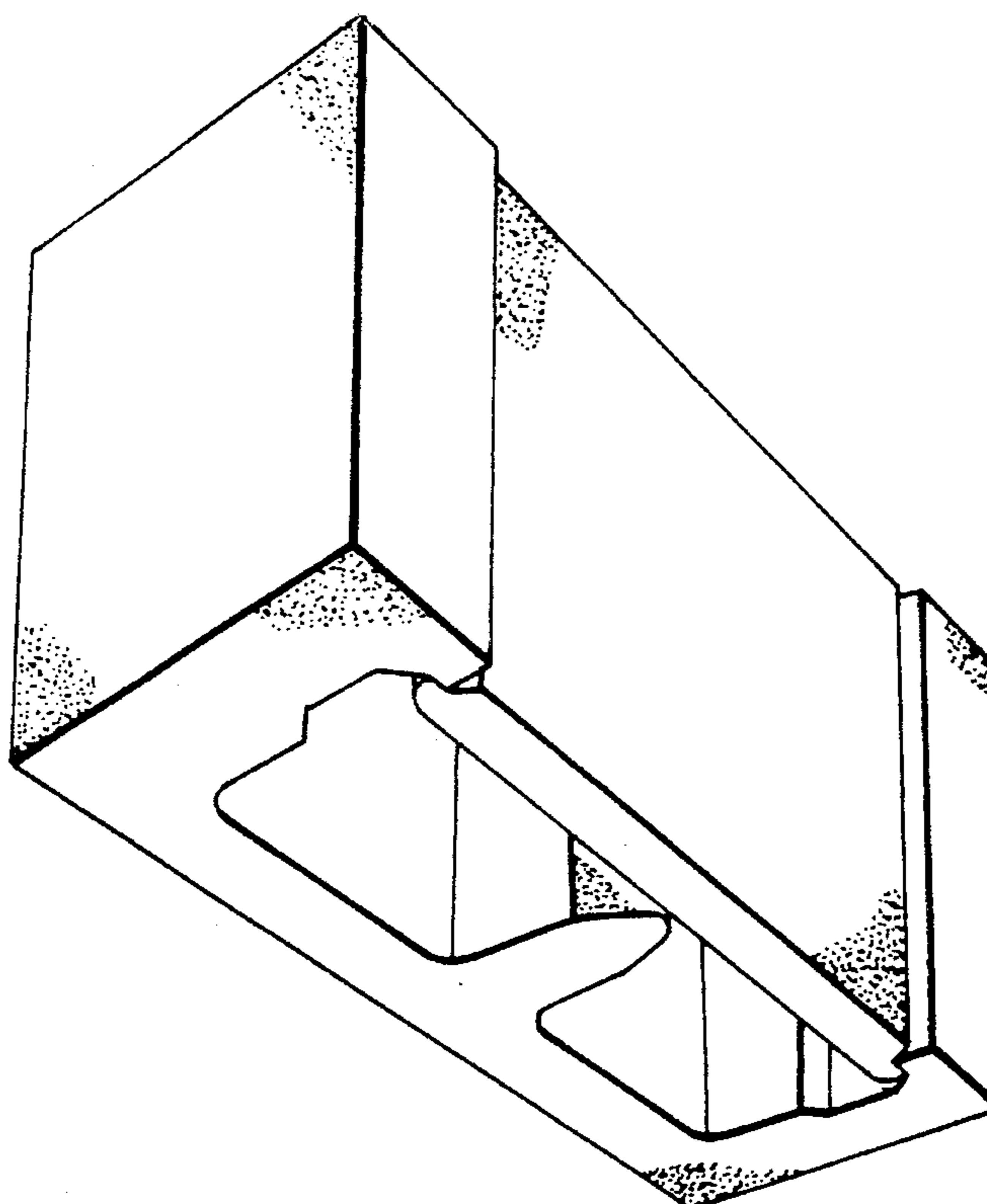
FIG. 8 is a top, front, and right side perspective view showing the cleanout block in the third embodiment;

FIG. 9 is a bottom, back, right side perspective view thereof, the left side being identical thereto;

FIG. 10 is a top front, right side perspective view of the tile in the first, second, and third embodiments; and,

FIG. 11 is a bottom, back, right side perspective view thereof.

1 Claim, 6 Drawing Sheets



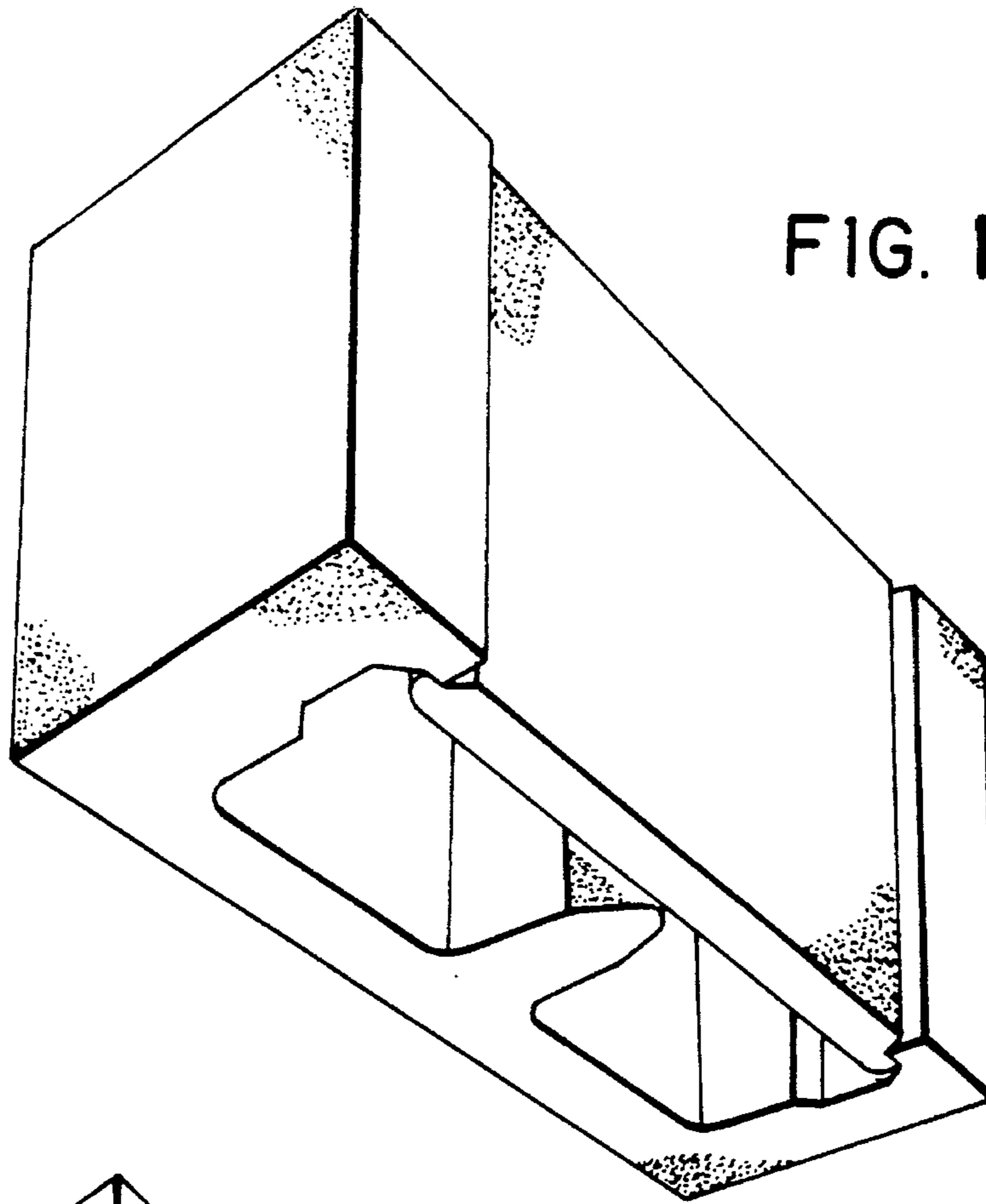


FIG. 1

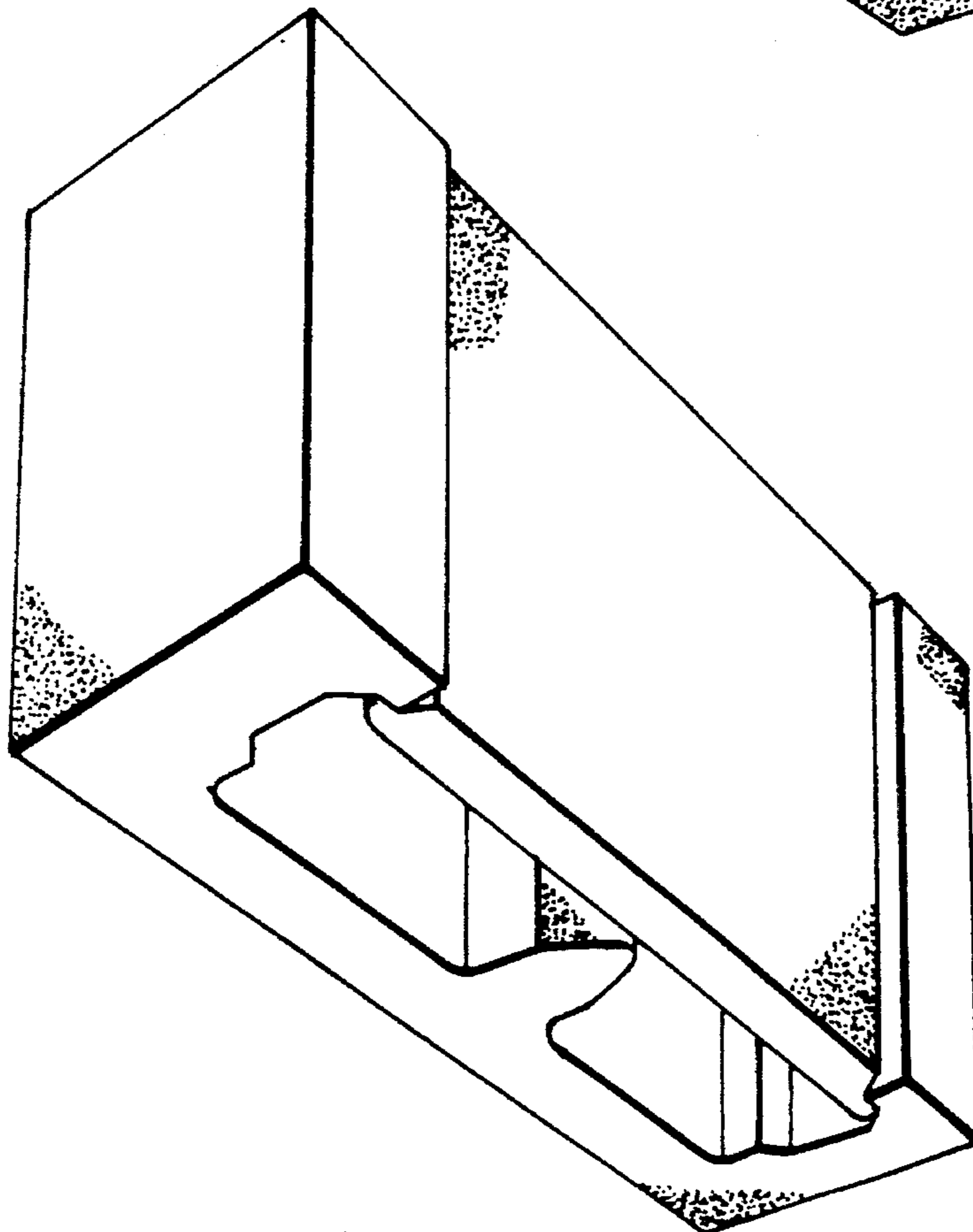


FIG. 4

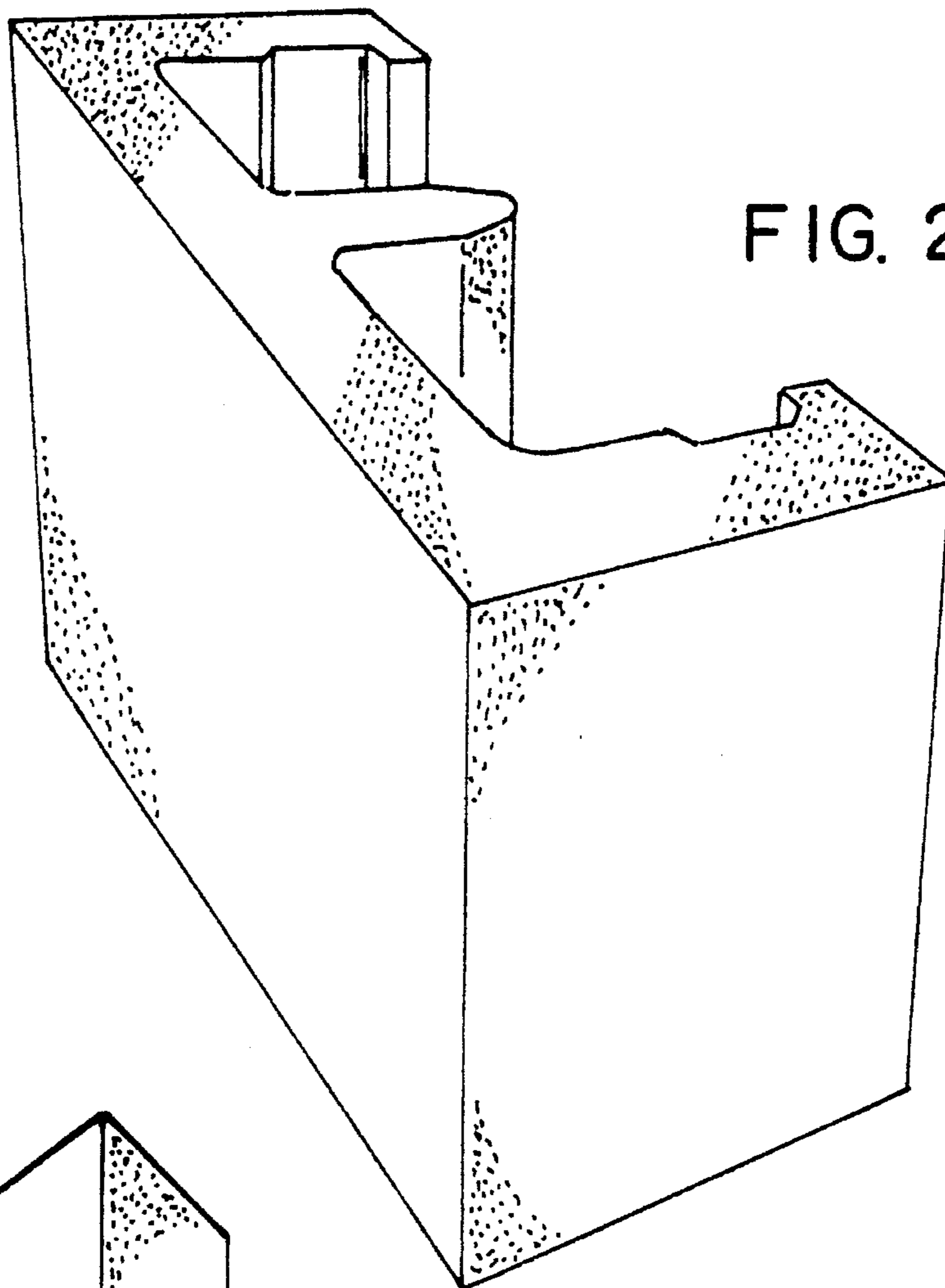


FIG. 2

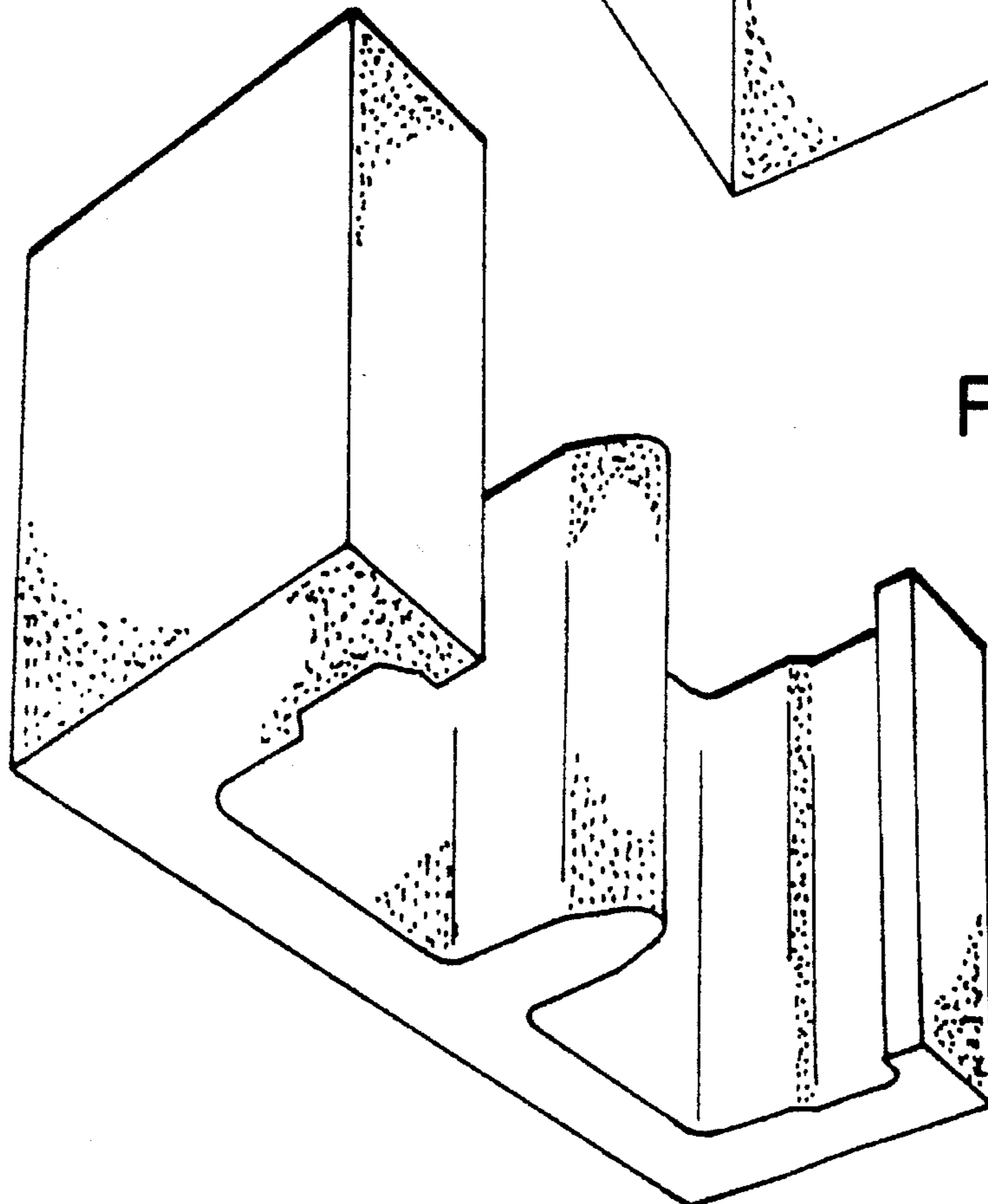


FIG. 3

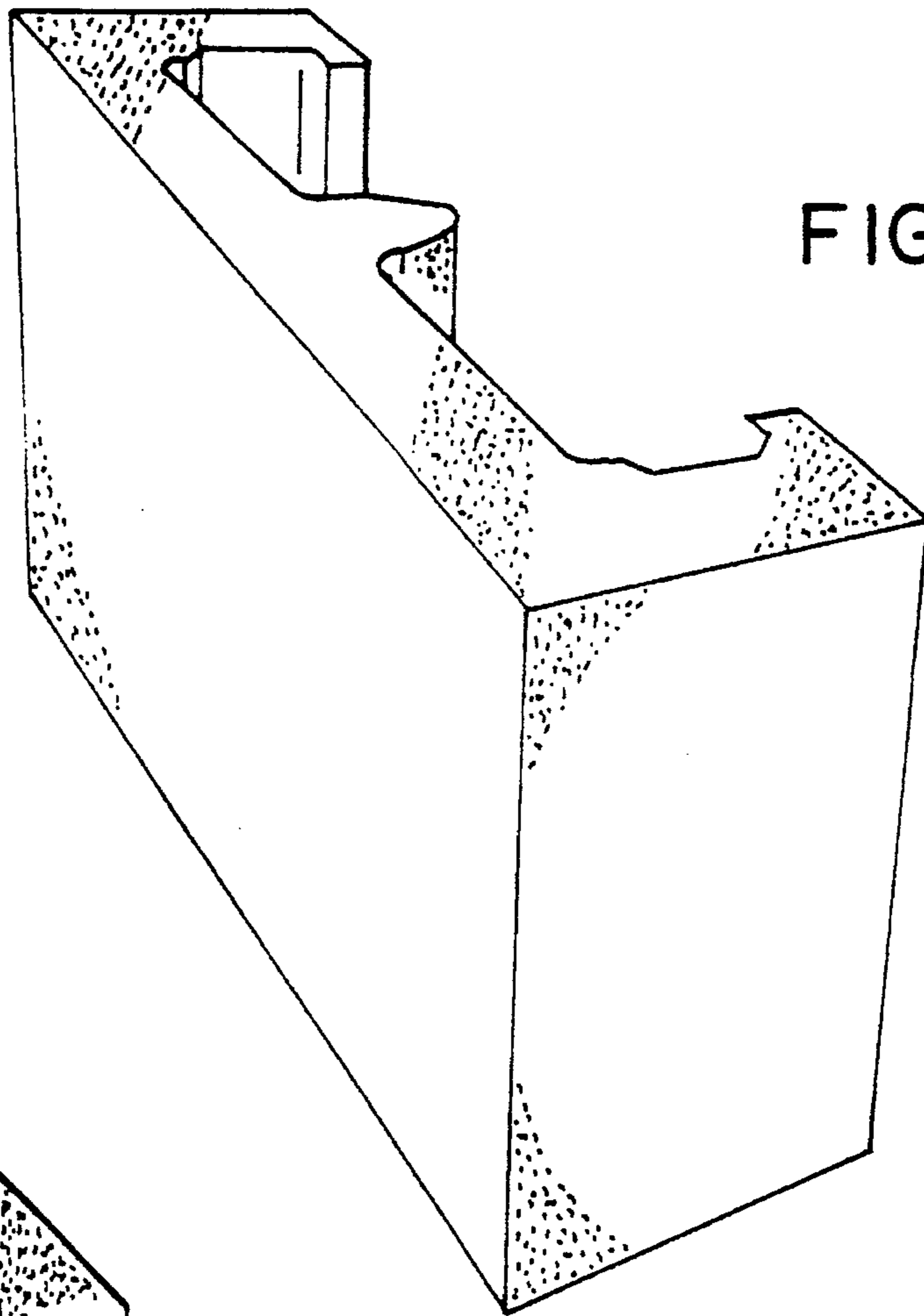


FIG. 5

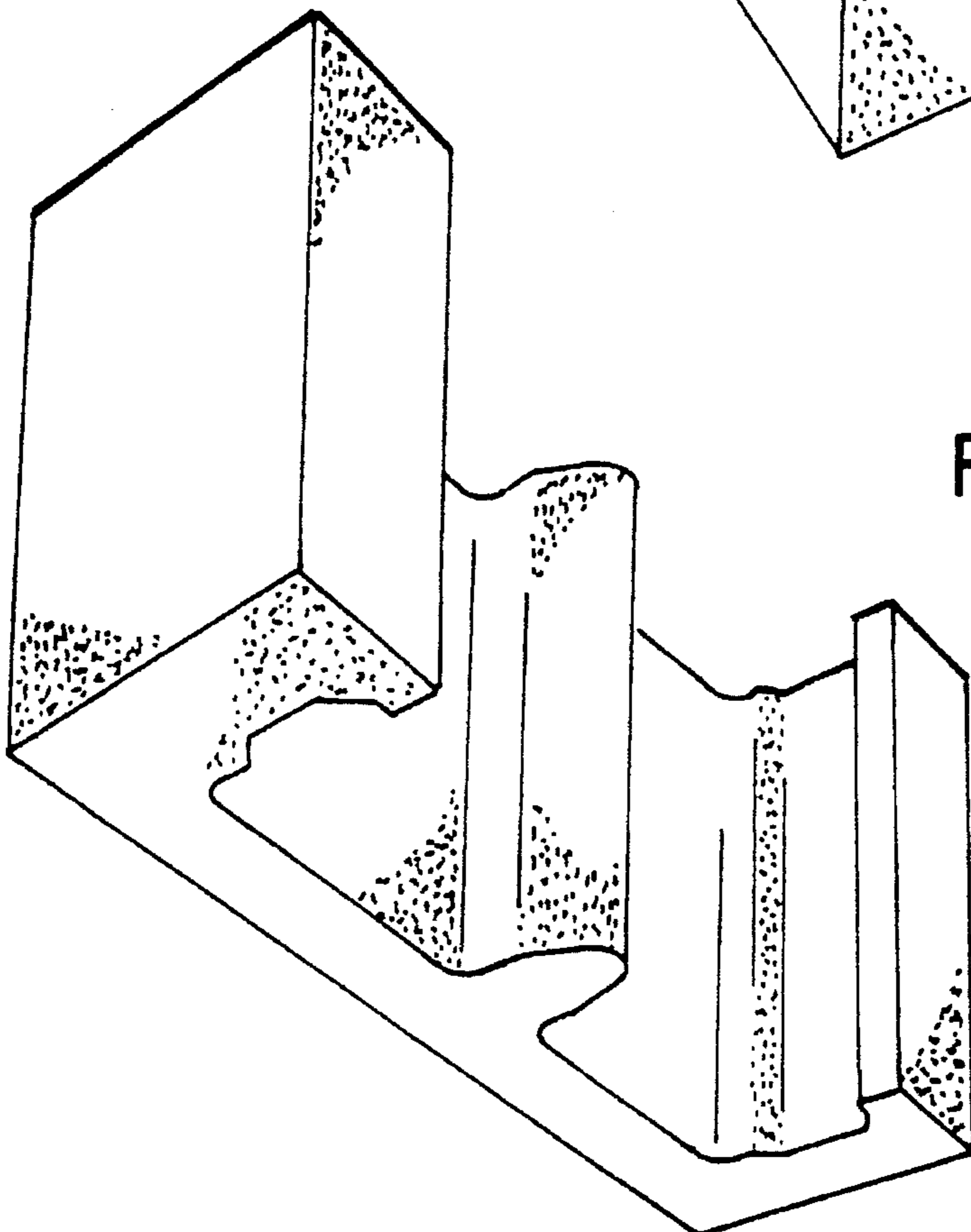


FIG. 6

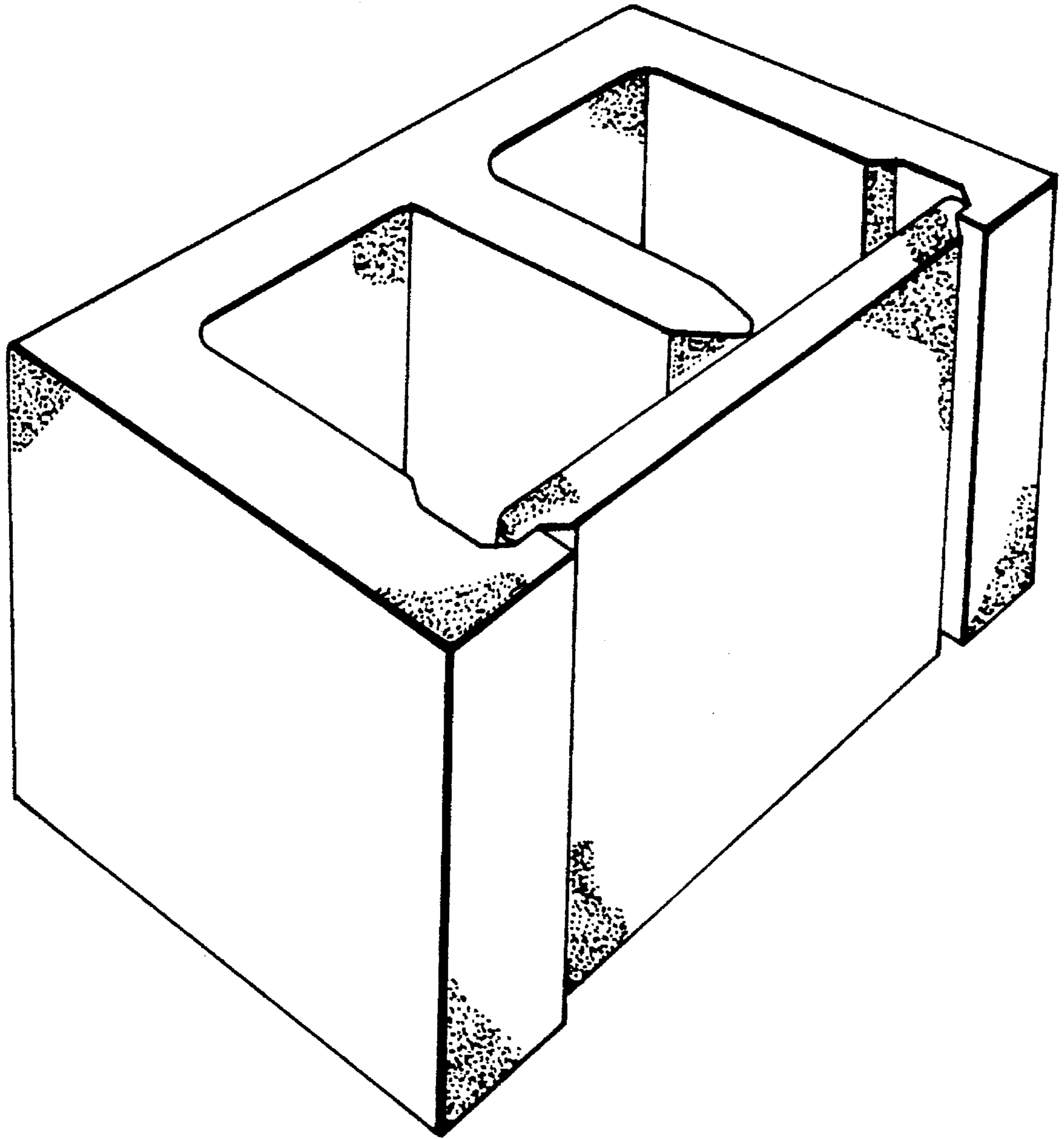


FIG. 7

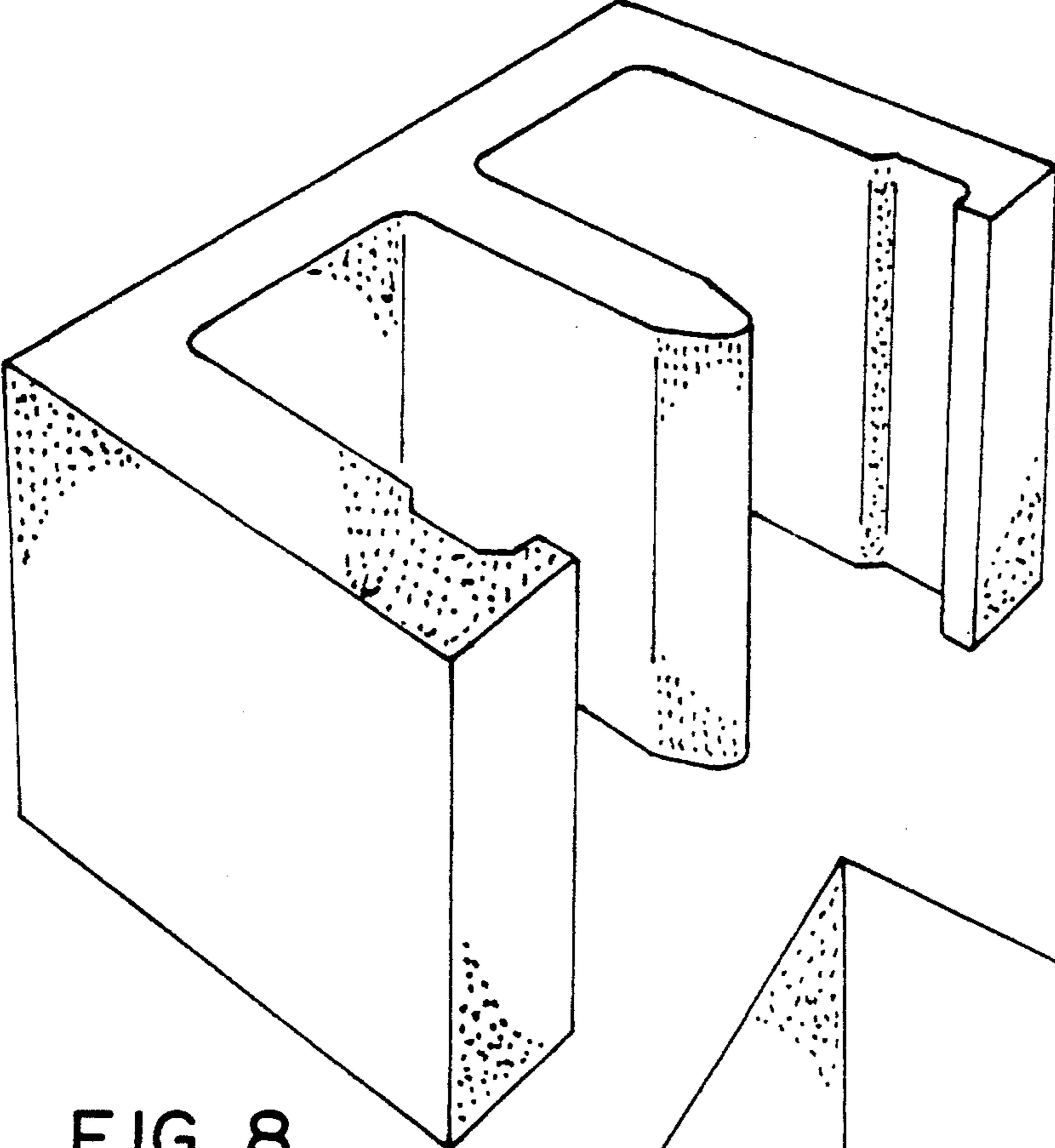


FIG. 8

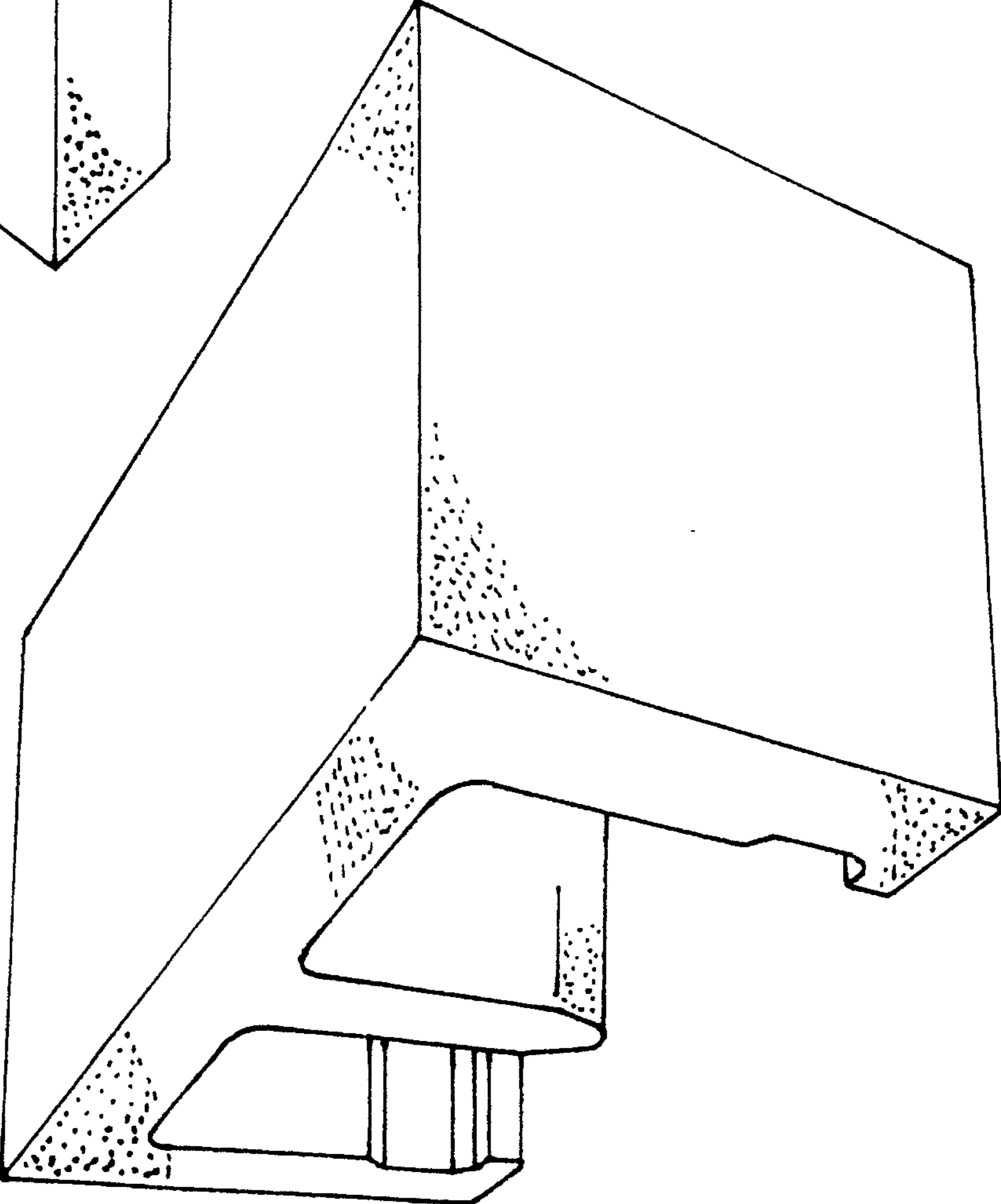


FIG. 9

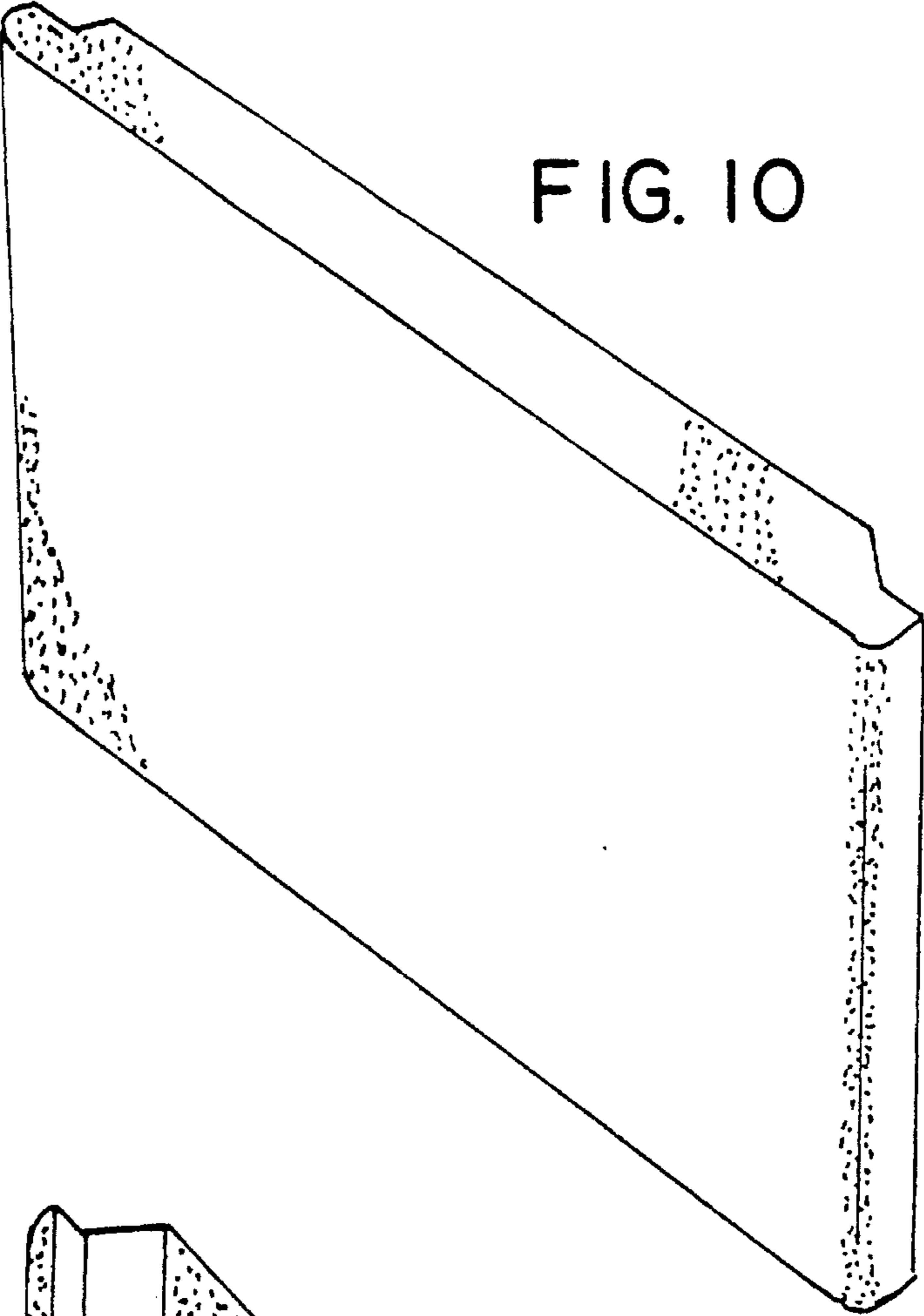


FIG. 10

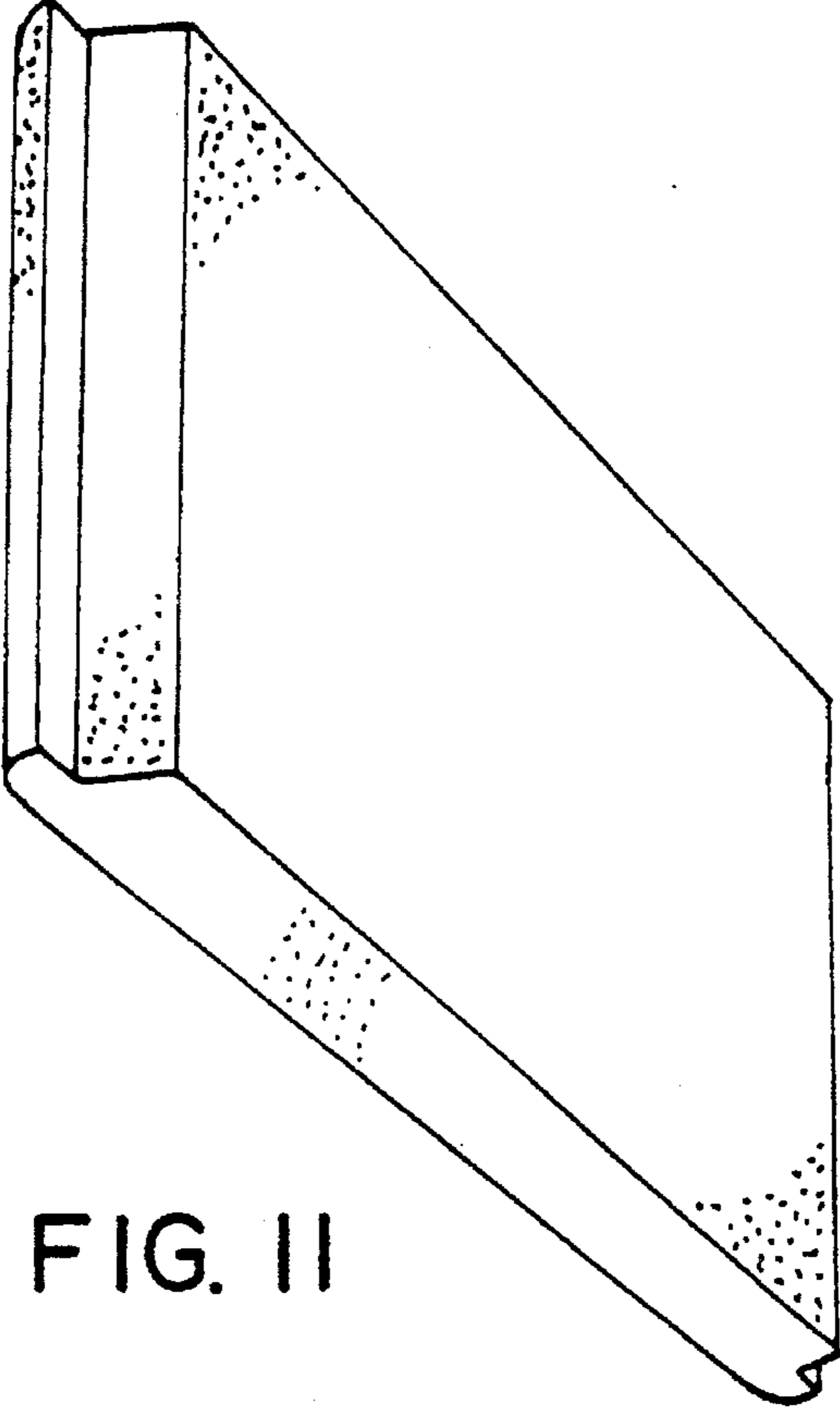


FIG. 11