



US00D369416S

United States Patent [19]

Davis

[11] Patent Number: **Des. 369,416**

[45] Date of Patent: ****Apr. 30, 1996**

[54] **BLIND**

4,456,272 6/1984 Kroeger D25/16
4,918,853 4/1990 Bascom et al. D22/199 X

[76] Inventor: **Steven A. Davis**, 100 Maupin Rd.,
Newbern, Tenn. 38059

Primary Examiner—Louis S. Zarfaz
Assistant Examiner—Monica A. Hannon
Attorney, Agent, or Firm—Walker, McKenzie & Walker

[**] Term: **14 Years**

[21] Appl. No.: **31,335**

[57] **CLAIM**

[22] Filed: **Nov. 23, 1994**

The ornamental design for a blind, as shown and described.

[52] U.S. Cl. **D25/16; D25/1; D22/199**

DESCRIPTION

[58] Field of Search D25/1, 2, 16, 17,
D25/18, 22, 30, 32, 34, 35; D21/114, 115;
52/63, 79.4; 135/87, 96, 901, 906; D22/199;
43/1

FIG. 1 is a perspective view of the blind from the front, top,
and right side;

FIG. 2 is a perspective view from the rear, bottom and left
side thereof;

FIG. 3 is a perspective view of a second embodiment from
the front, top, and right side; and,

FIG. 4 is a perspective view from the rear, bottom and left
side thereof.

[56] **References Cited**

U.S. PATENT DOCUMENTS

D. 271,523 11/1983 Richberg D25/2 X
D. 313,061 12/1990 Bascom et al. D22/199 X
3,799,608 3/1974 Smutny et al. D22/199 X
4,415,066 11/1983 Mensik 135/87

1 Claim, 2 Drawing Sheets

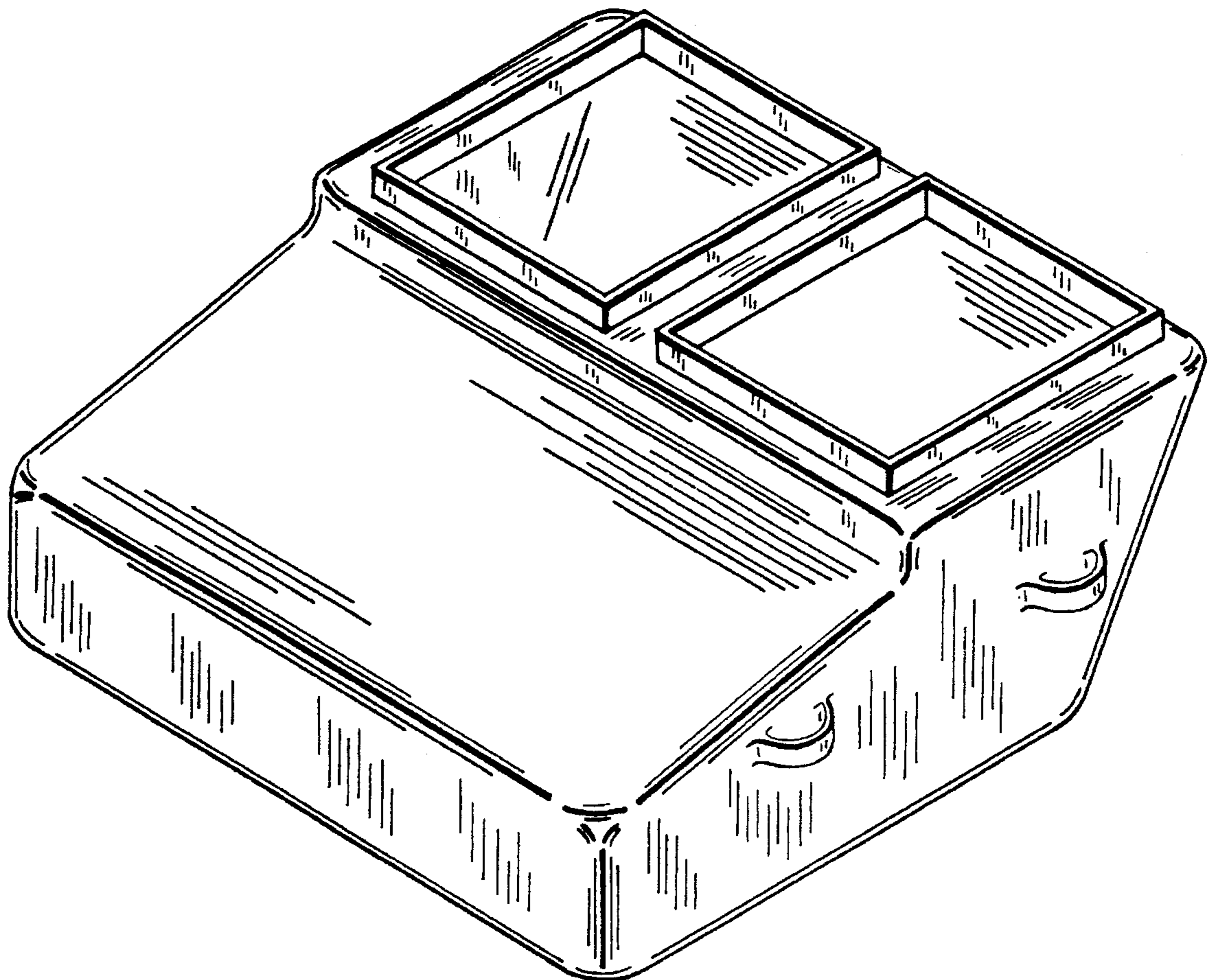


FIG. 1

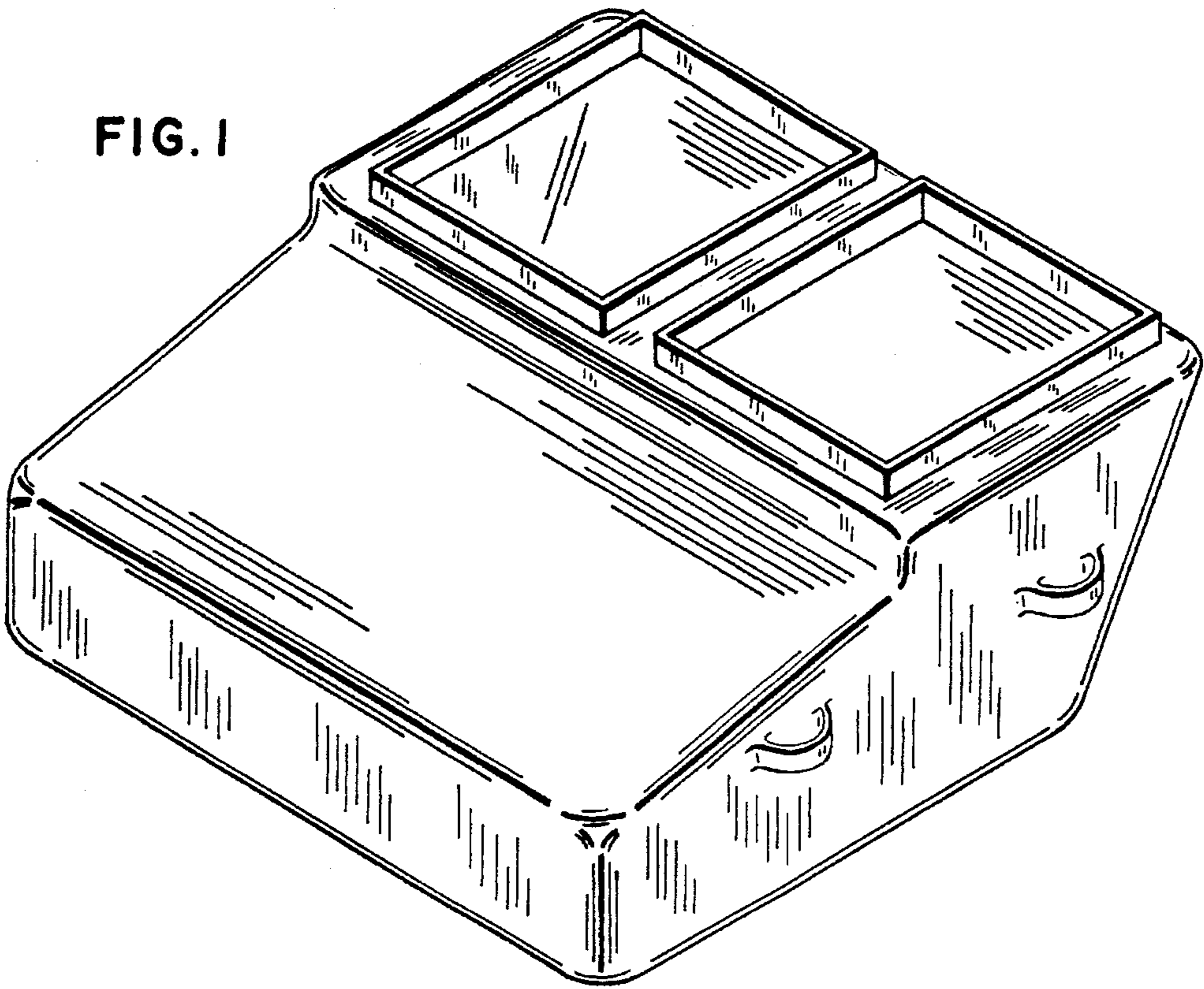


FIG. 2

