



US00D369409S

United States Patent [19]

Salter

[11] Patent Number: **Des. 369,409**

[45] Date of Patent: ****Apr. 30, 1996**

[54] TUBING CONNECTOR

[75] Inventor: **Peter Salter**, Tehachapi, Calif.

[73] Assignee: **Salter Labs**, Arvin, Calif.

[**] Term: **14 Years**

[21] Appl. No.: **30,135**

[22] Filed: **Nov. 4, 1994**

[52] U.S. Cl. **D24/129**; D8/382

[58] Field of Search D8/382; D23/259, D23/260, 266; D24/129, 130; 285/114, 332; D32/25, 32, 33, 34

[56] References Cited

U.S. PATENT DOCUMENTS

D. 320,277	9/1991	Gyure et al.	D24/130
D. 326,322	5/1992	Clegg et al.	D24/130
1,543,356	6/1925	Arnold	285/332 X
4,405,163	9/1983	Voges et al.	285/332 X
4,819,969	4/1989	Williams	285/332 X
4,946,455	8/1990	Rosen	D24/129 X
5,113,571	5/1992	Manska	285/332 X

OTHER PUBLICATIONS

D.R.O. Medical Prod. Inc, Oct. 7, 1985, top right hood for tube.

Primary Examiner—Lucy Lieberman
Assistant Examiner—Paula Mortimer
Attorney, Agent, or Firm—Shoemaker and Mattare, Ltd.

[57] CLAIM

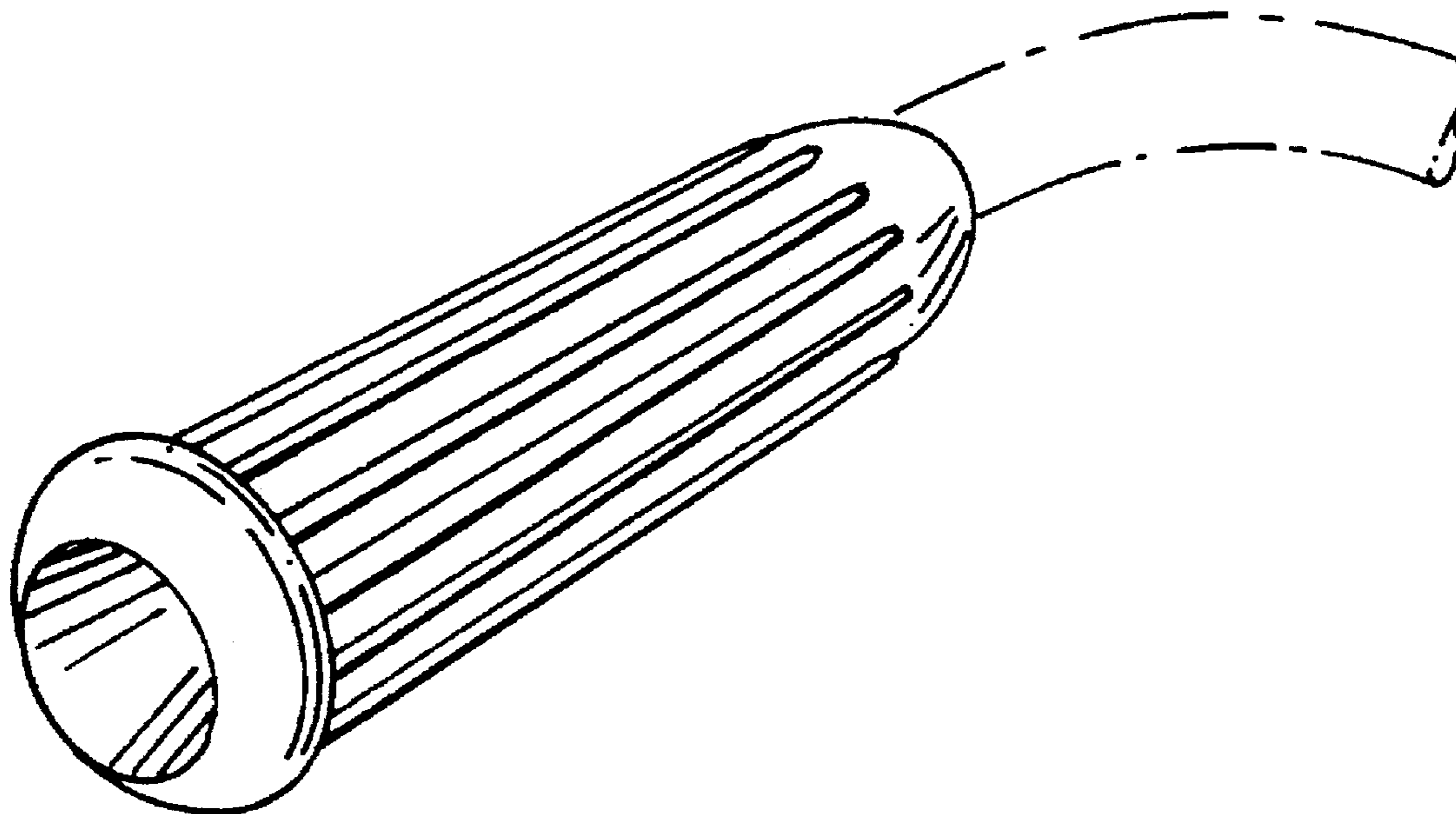
The ornamental design for a tubing connector, as shown and described.

DESCRIPTION

FIG. 1 is a perspective view of a tubing connector showing my new design, the broken line showing of the tube is for illustrative purposes only and forms no part of the claimed design;

FIG. 2 is a right side elevation view of the tubing connector of FIG. 1 where both the right and left sides are the same; FIG. 3 is a left end view of the tubing connector shown in FIG. 2; and, FIG. 4 is a right end view of the tubing connector as shown in FIG. 2.

1 Claim, 1 Drawing Sheet



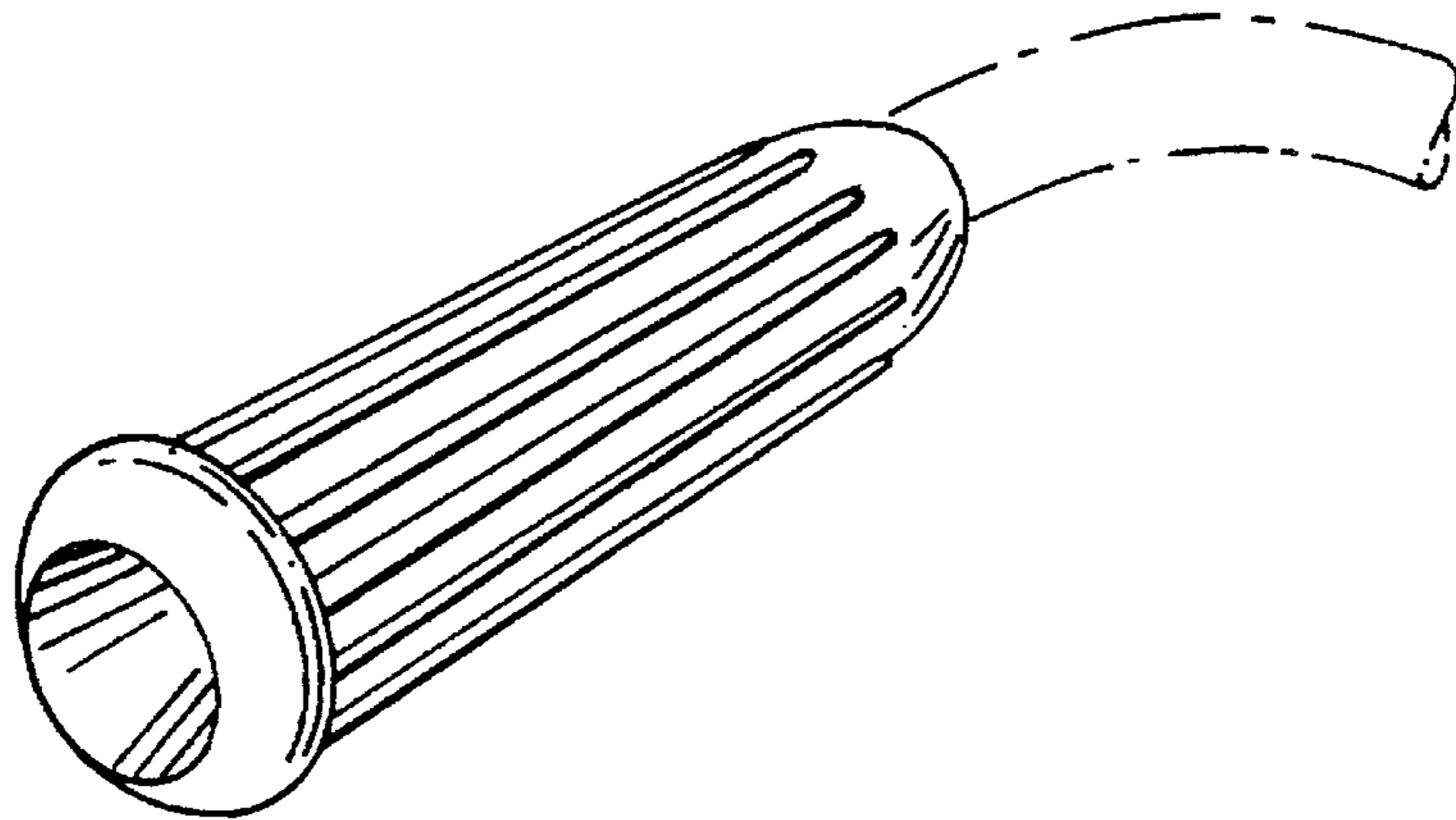


FIG. 1

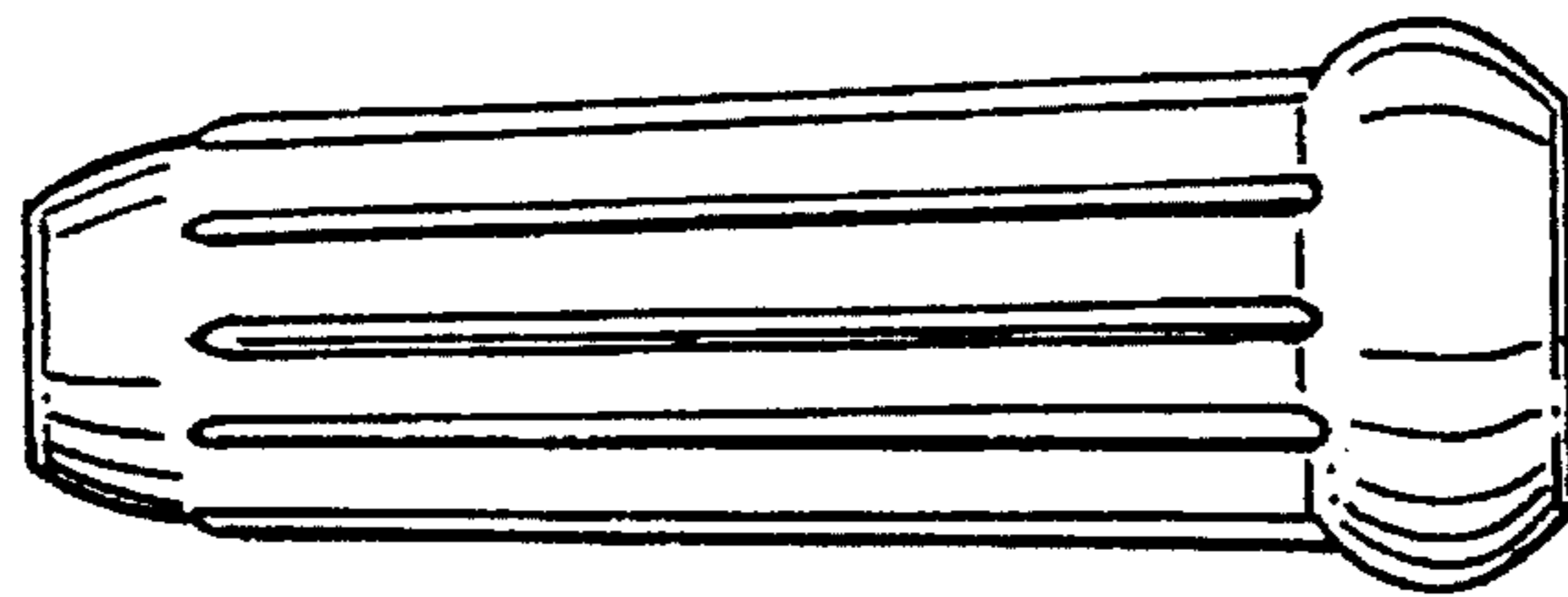


FIG. 2

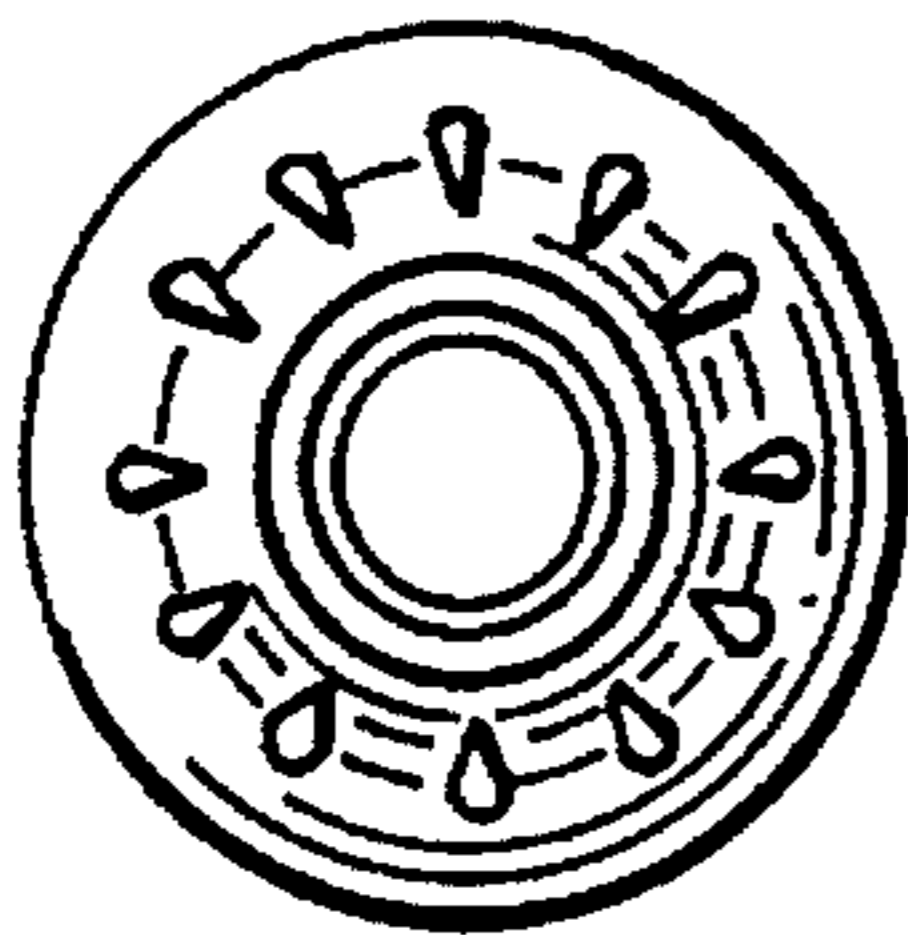


FIG. 3

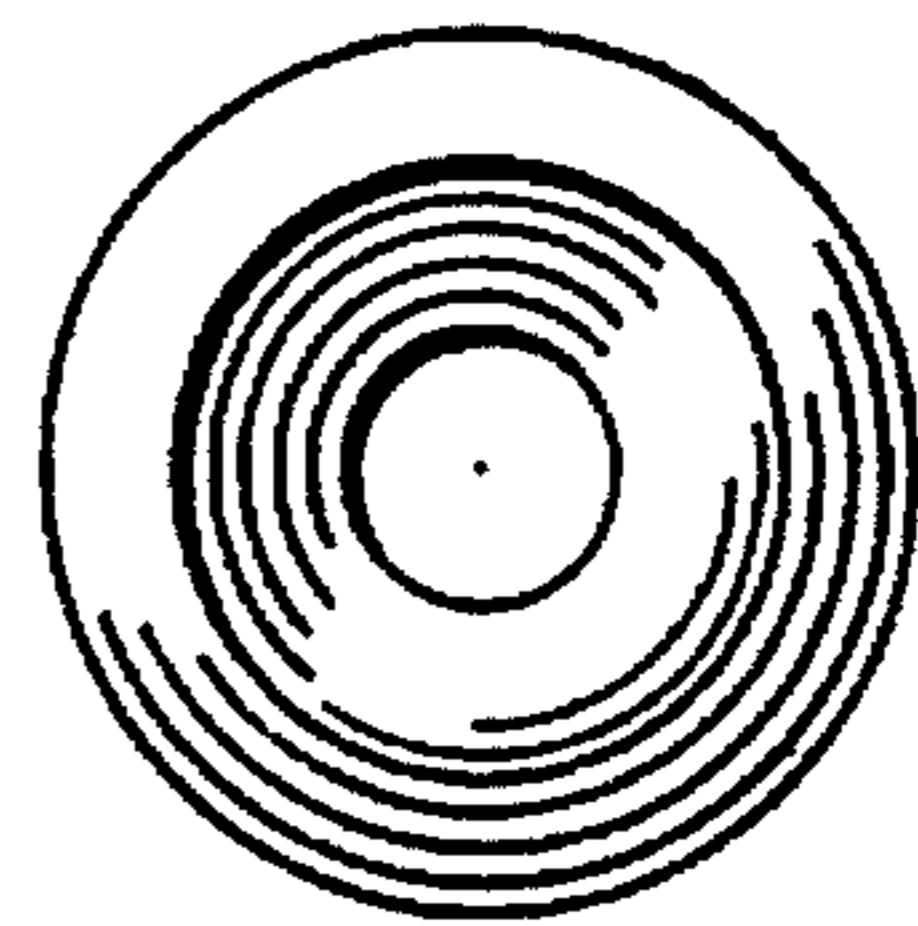


FIG. 4