



US00D369408S

# United States Patent [19]

Laun

[11] Patent Number: **Des. 369,408**

[45] Date of Patent: **\*\*Apr. 30, 1996**

[54] **HANDLE FOR A DIAGNOSTIC MEDICAL INSTRUMENT**

D. 288,960 3/1987 Riester ..... D24/137  
4,147,163 4/1979 Newman et al. .... 128/9

[75] Inventor: **Deborah A. Laun**, Syracuse, N.Y.

*Primary Examiner*—Louis S. Zarfaz  
*Assistant Examiner*—I. Simmons  
*Attorney, Agent, or Firm*—Harris Beach & Wilcox

[73] Assignee: **Welch Allyn, Inc.**, Skaneateles Falls, N.Y.

[57] **CLAIM**

[\*\*] Term: **14 Years**

The ornamental design for a handle for a diagnostic medical instrument, as shown and described.

[21] Appl. No.: **25,426**

**DESCRIPTION**

[22] Filed: **Jul. 1, 1994**

[52] U.S. Cl. .... **D24/137; D24/133**

[58] Field of Search ..... D24/133, 137,  
D24/152, 176; D8/107; 128/9, 11

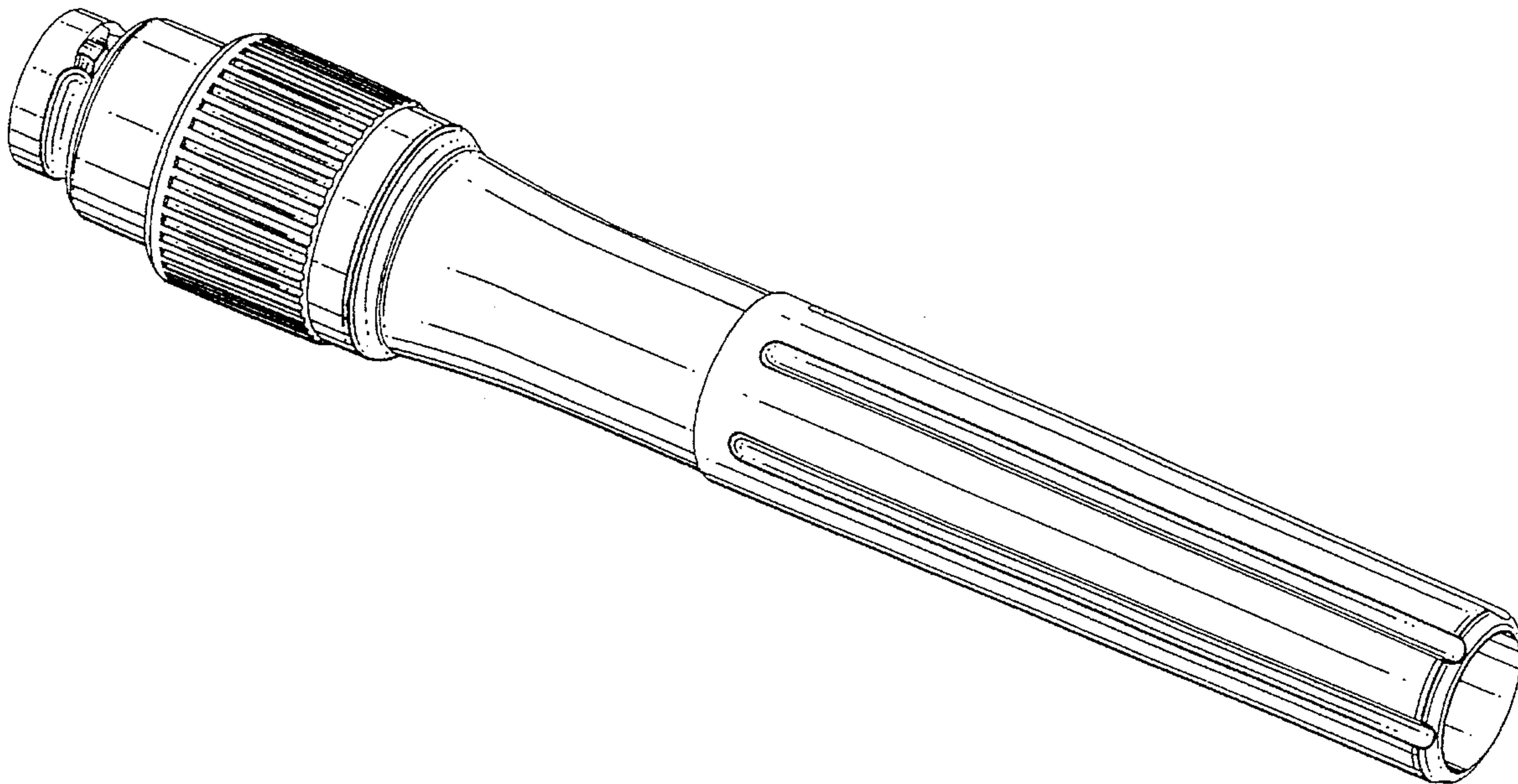
FIG. 1 is a perspective view of a handle for a diagnostic medical instrument, illustrating my new design; FIGS. 2 and 3 are side elevational views of a handle for a diagnostic medical instrument of FIG. 1; FIG. 4 is a front end view of a handle for a diagnostic medical instrument of FIG. 1; and, FIG. 5 is a rear end view of a handle for a diagnostic medical instrument of FIG. 1.

[56] **References Cited**

**U.S. PATENT DOCUMENTS**

D. 207,372 4/1967 Pulos ..... D24/137  
D. 225,584 12/1972 Pilgrim ..... D24/133  
D. 225,691 12/1972 Pulos ..... D24/133

**1 Claim, 2 Drawing Sheets**



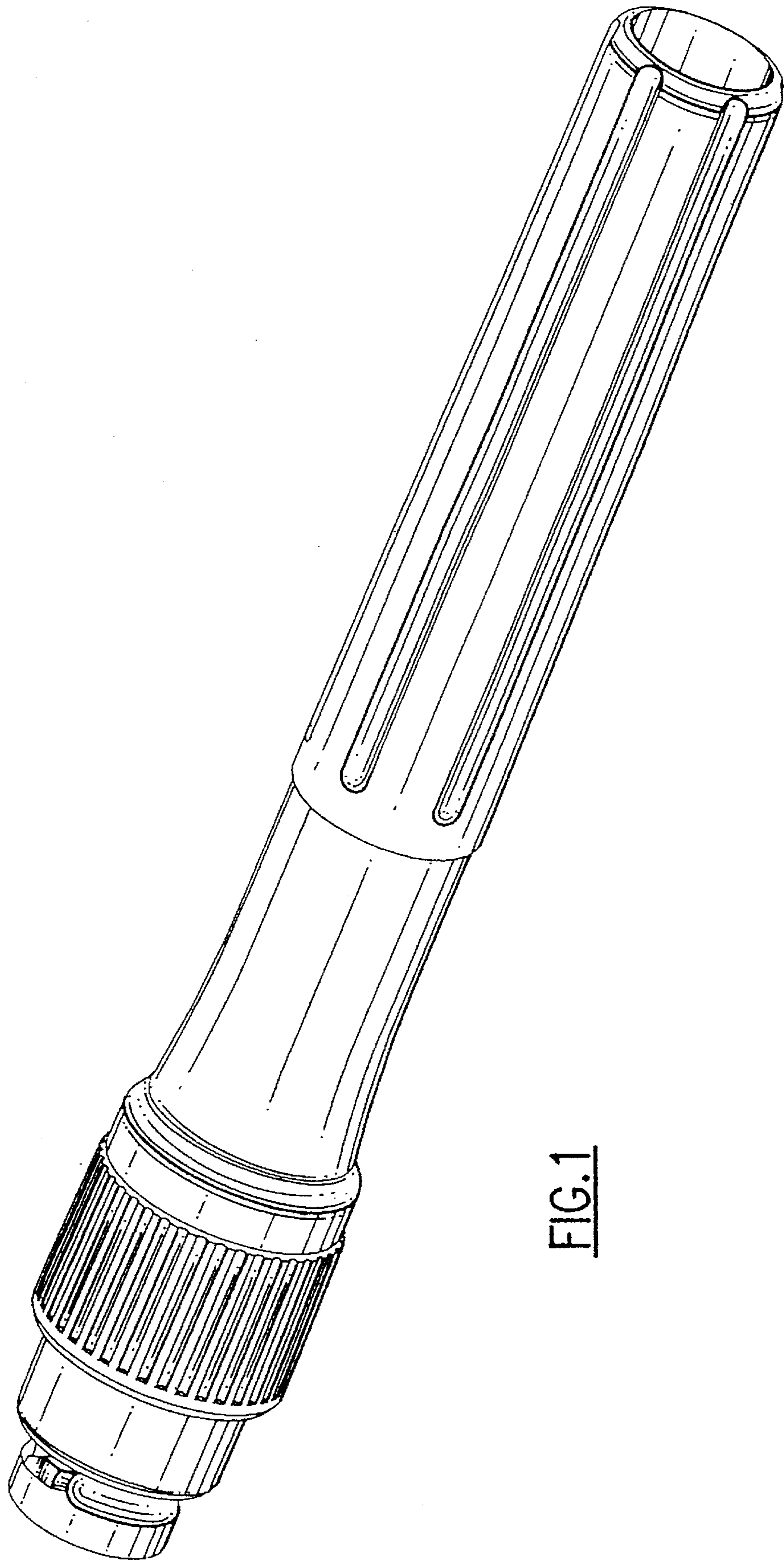


FIG. 1

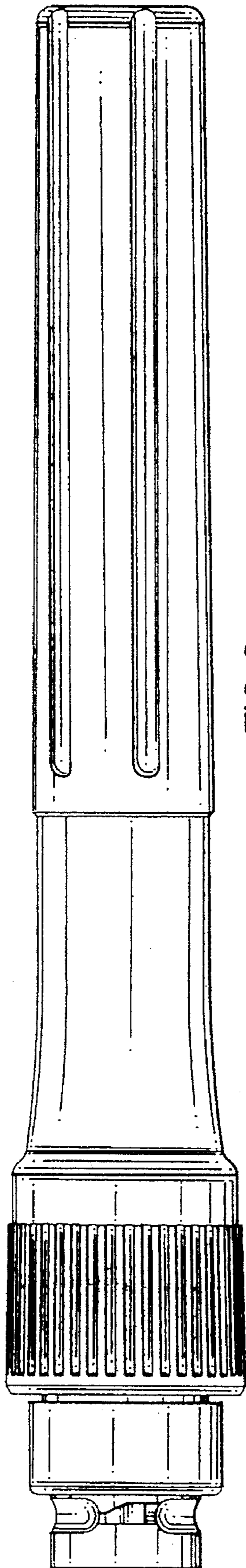


FIG. 2

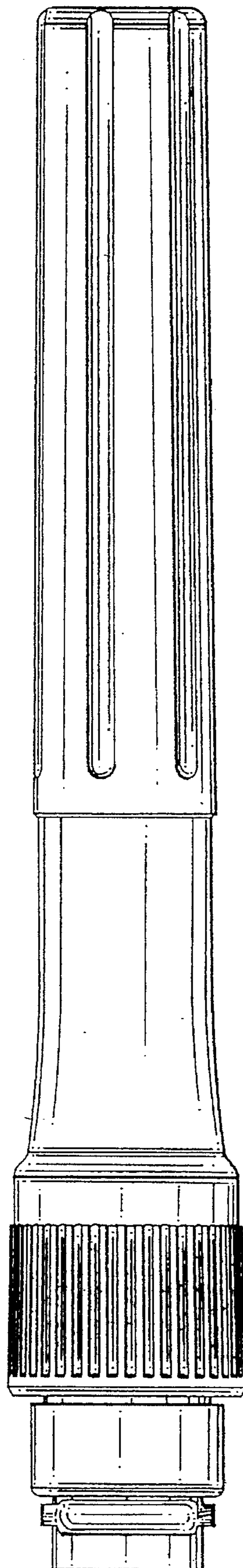


FIG. 3

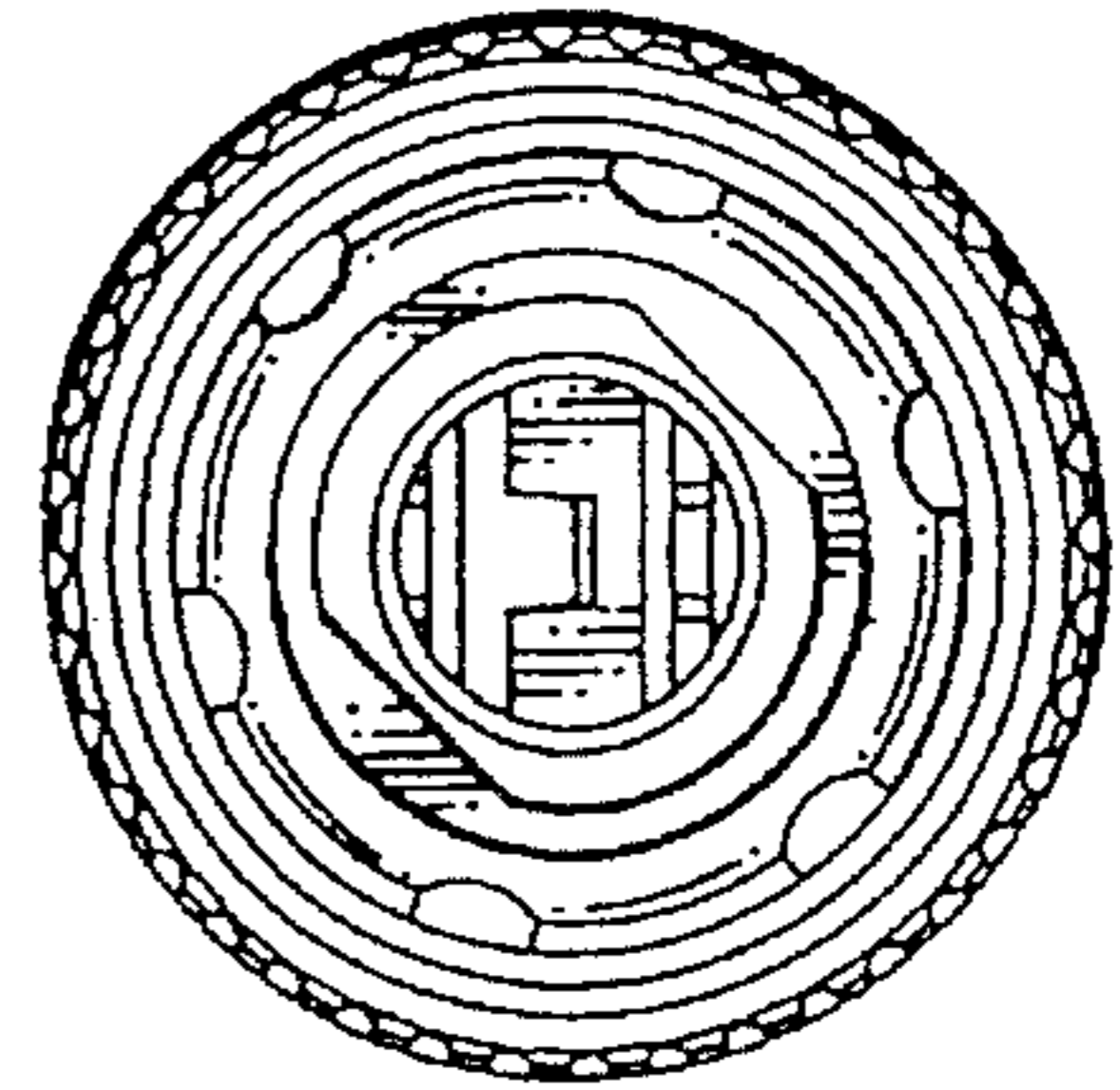


FIG. 5

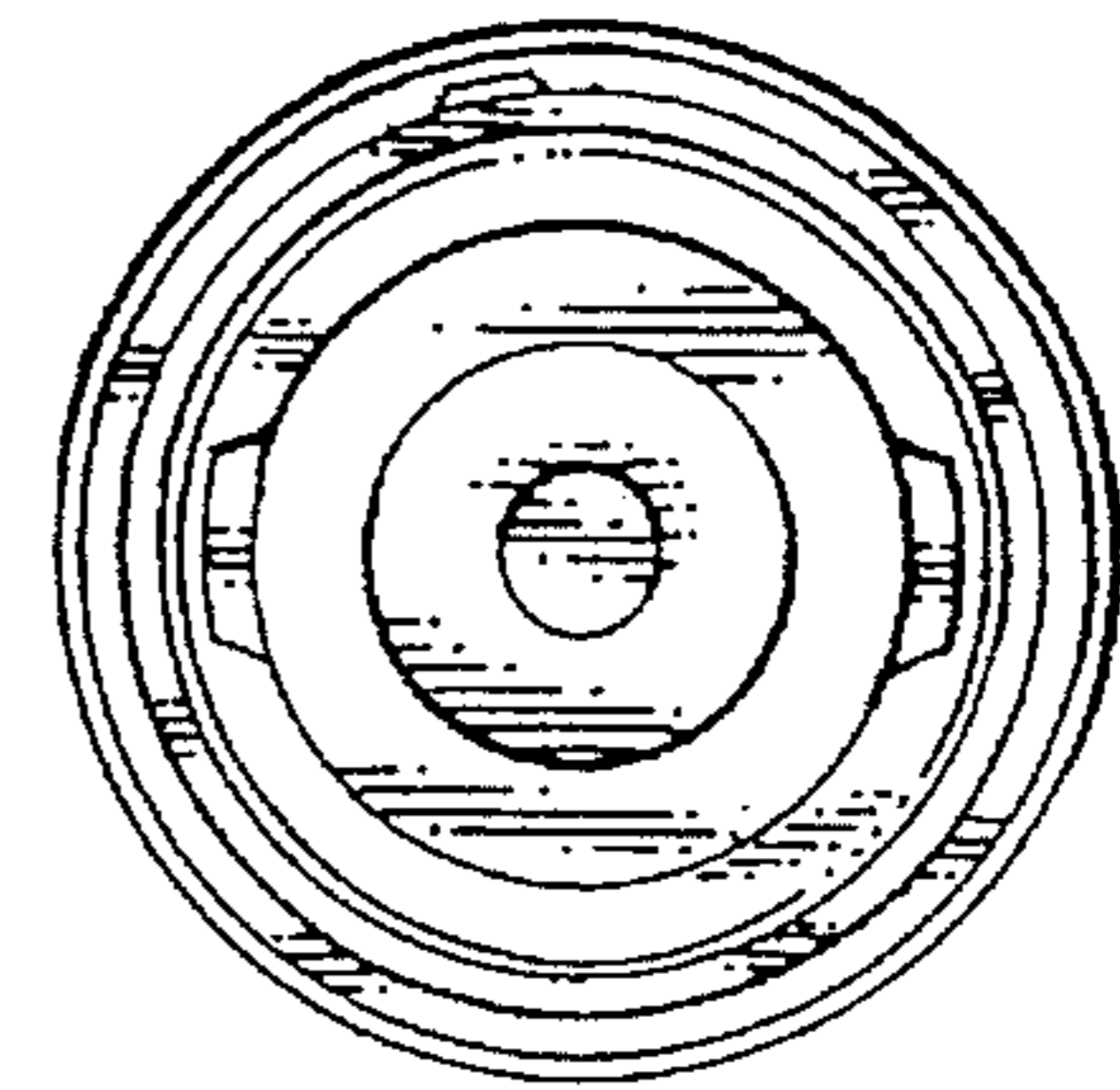


FIG. 4