



US00D369405S

United States Patent [19]
Holbrook

[11] **Patent Number: Des. 369,405**

[45] **Date of Patent: **Apr. 30, 1996**

[54] **COMBINED MOTOR HOUSING AND BLADE IRONS UNIT FOR AN ELECTRIC CEILING FAN**

Primary Examiner—Lisa P. Lichtenstein
Attorney, Agent, or Firm—Charles H. Schwartz; Ellsworth R. Roston

[75] **Inventor: Richard M. Holbrook**, Pasadena, Calif.

[57] **CLAIM**

[73] **Assignee: Casablanca Fan Company**, City of Industry, Calif.

The ornamental design for a combined motor housing and blade irons unit for an electric ceiling fan, as shown and described.

[**] **Term: 14 Years**

[21] **Appl. No.: 37,511**

DESCRIPTION

[22] **Filed: Apr. 14, 1995**

[52] **U.S. Cl. D23/411; D23/377; D23/379; D23/385**

FIG. 1 is a perspective view of a combined motor housing and blade irons unit for an electric ceiling fan;

[58] **Field of Search D23/411, 377, D23/379, 385; 416/5; 362/96; 392/364; D26/81-86, 88, 51, 59, 72**

FIG. 2 is an enlarged side elevational view thereof, the opposite side being a mirror image of that shown;

FIG. 3 is an enlarged bottom plan view thereof; and,

FIG. 4 is an enlarged top plan view thereof.

[56] **References Cited**

The broken line showing of environmental structure in FIGS. 1 and 2 is for illustrative purposes only and forms no part of the claimed design.

U.S. PATENT DOCUMENTS

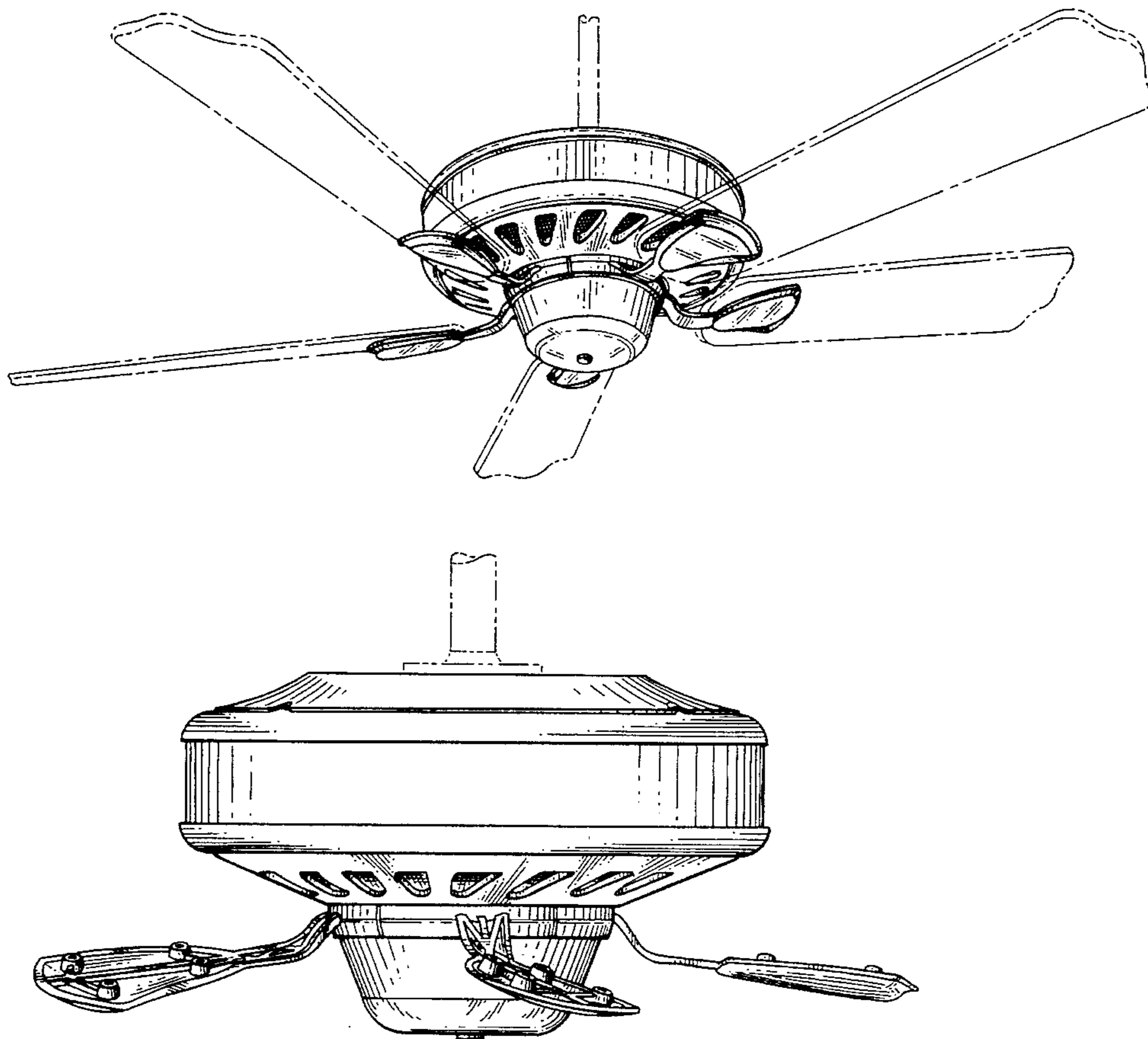
D. 346,209	4/1994	Holbrook	D23/379
4,621,992	11/1986	Angott	362/96

OTHER PUBLICATIONS

Thomas Industries Inc. Brochure, Ceiling Fan (A), top of page.

Casablanca Fan Co. Cat, p. 16, Ceiling Fan (B), top of page.

1 Claim, 4 Drawing Sheets



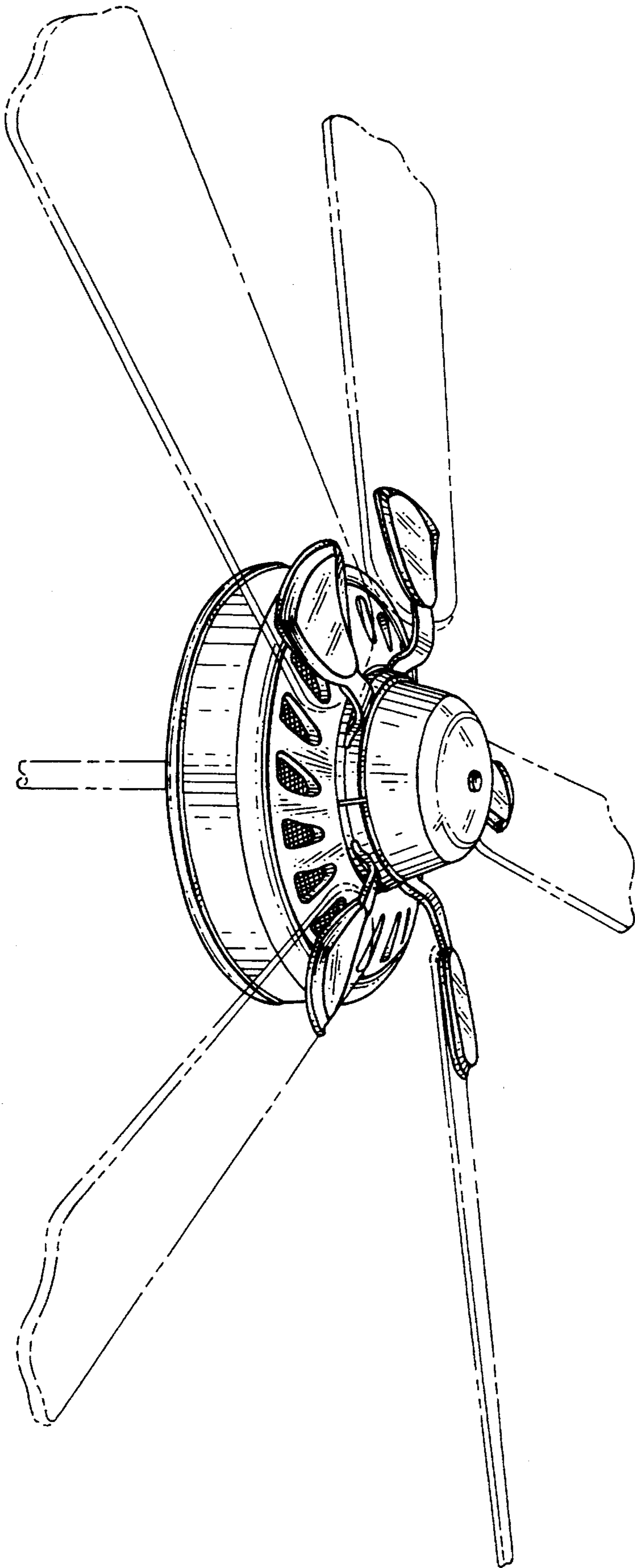


FIG. 1

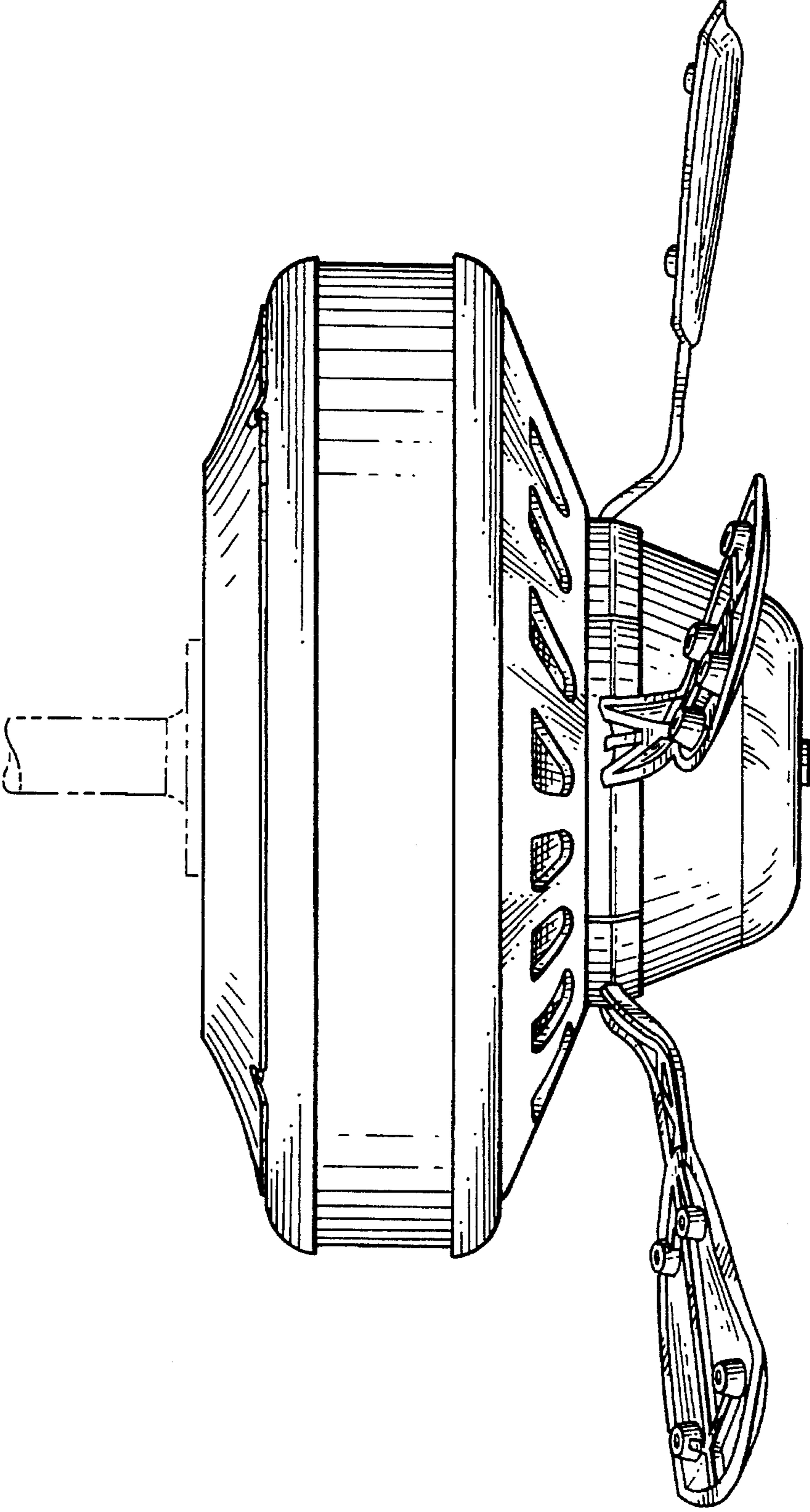


FIG. 2

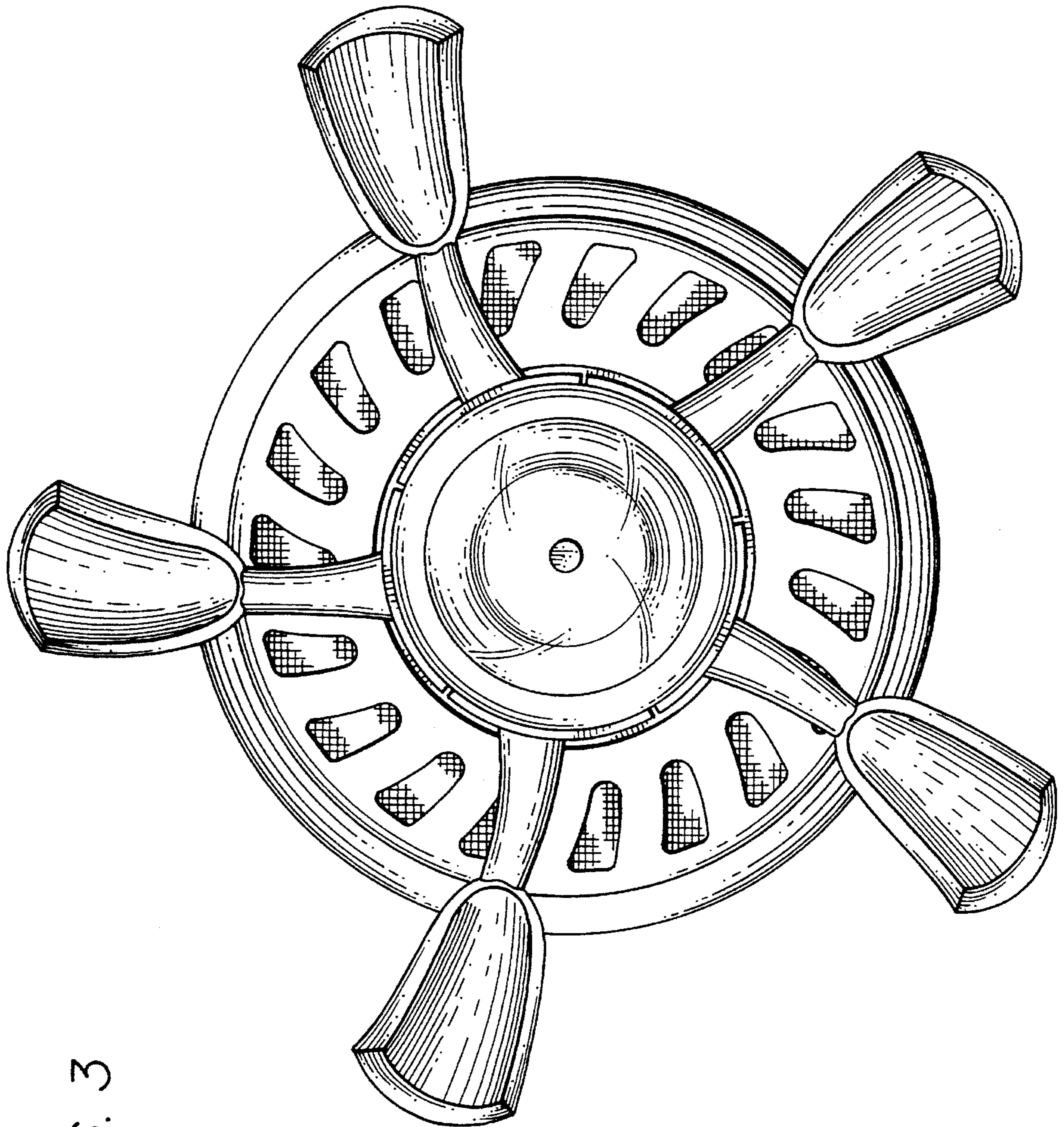


FIG. 3

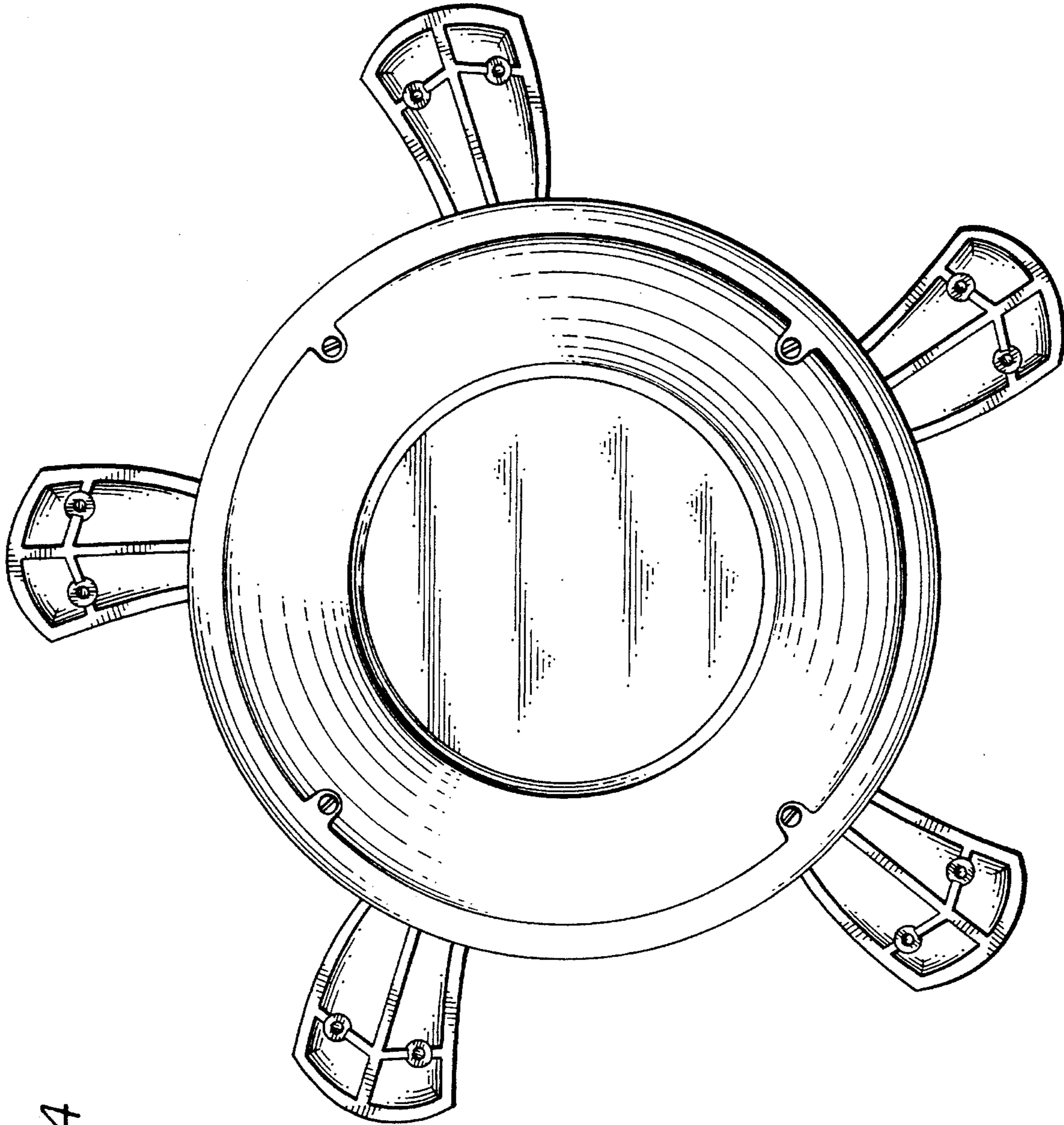


FIG. 4