



US00D369404S

United States Patent [19]

[11] Patent Number: **Des. 369,404**

Vestal, Sr.

[45] Date of Patent: ****Apr. 30, 1996**

[54] FIREPLACE GRATE

4,892,088 1/1990 Vestal, Sr. 126/540
5,282,459 2/1994 Soule 126/500

[75] Inventor: **David M. Vestal, Sr.**, Sweetwater, Tenn.

FOREIGN PATENT DOCUMENTS

674374 6/1952 United Kingdom 126/540

[73] Assignee: **Vestal Manufacturing Company**, Sweetwater, Tenn.

OTHER PUBLICATIONS

[**] Term: **14 Years**

Liberty Foundry Co. Cat., P. 1, Grate A.

[21] Appl. No.: **26,097**

Primary Examiner—Lisa P. Lichtenstein
Attorney, Agent, or Firm—James W. Grace

[22] Filed: **Jul. 19, 1994**

[52] U.S. Cl. **D23/398**

[58] Field of Search D23/398, 400;
126/500, 541, 152 R, 152 B; 108/53.3

[57] CLAIM

The ornamental design for a fireplace grate, as shown and described.

[56] References Cited

DESCRIPTION

U.S. PATENT DOCUMENTS

D. 253,027	10/1979	Whitaker	D8/207
D. 321,558	11/1991	Vestal, Sr.	D23/398
2,903,218	9/1959	Altenburg	248/126
3,622,031	11/1971	Wells	220/19
3,630,157	12/1971	Ortenblad	108/53
4,262,651	4/1981	Fajt, Jr.	126/202
4,413,737	11/1983	Wind	206/599
4,428,306	1/1984	Dresen et al.	108/53.3

FIG. 1 is a perspective view of a fireplace grate showing my new design;

FIG. 2 is a top plan view thereof;

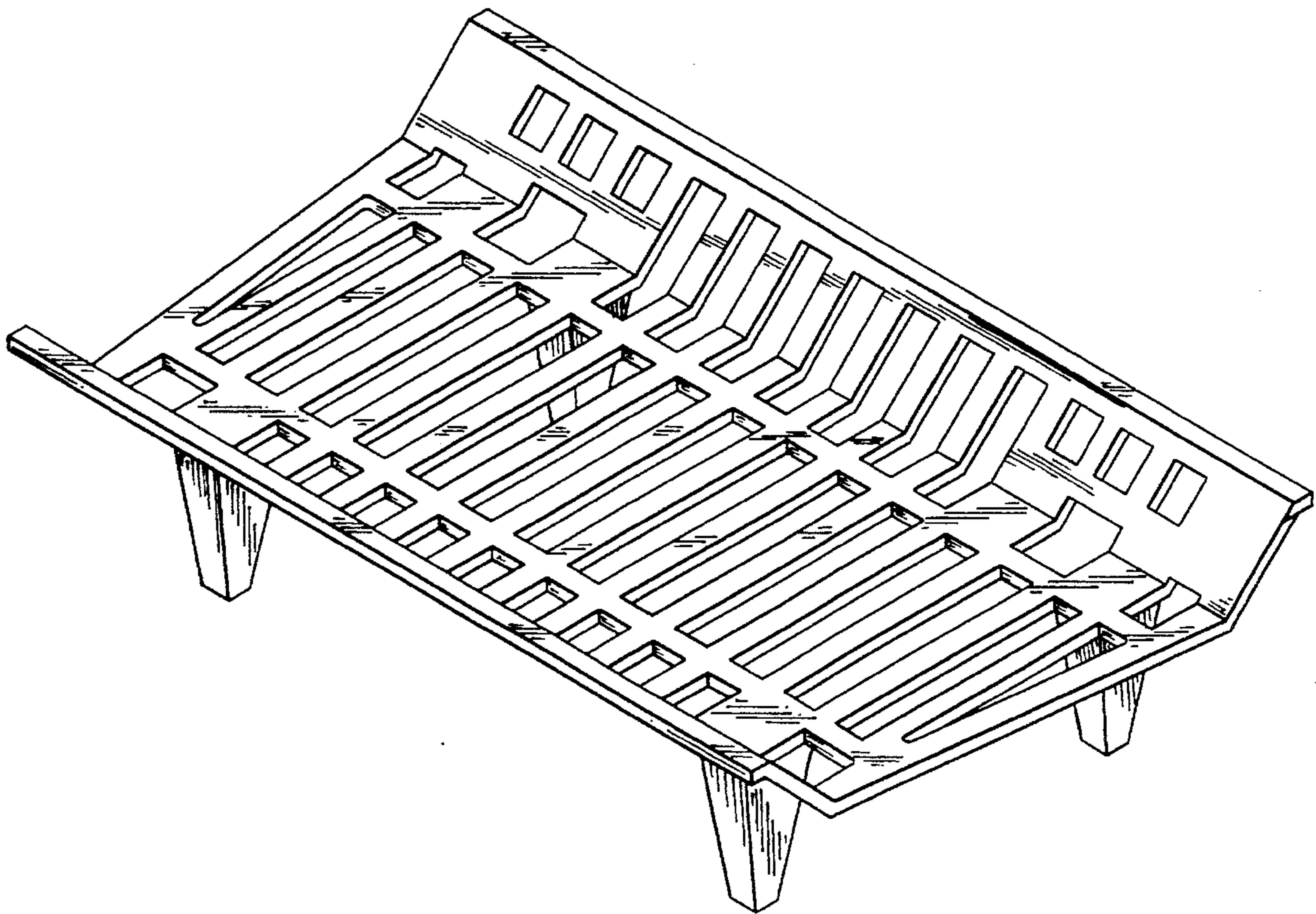
FIG. 3 is a bottom plan view thereof;

FIG. 4 is a front elevation view thereof;

FIG. 5 is a rear side elevation view thereof; and,

FIG. 6 a right side elevation view thereof, the left side being a mirror image of that shown.

1 Claim, 3 Drawing Sheets



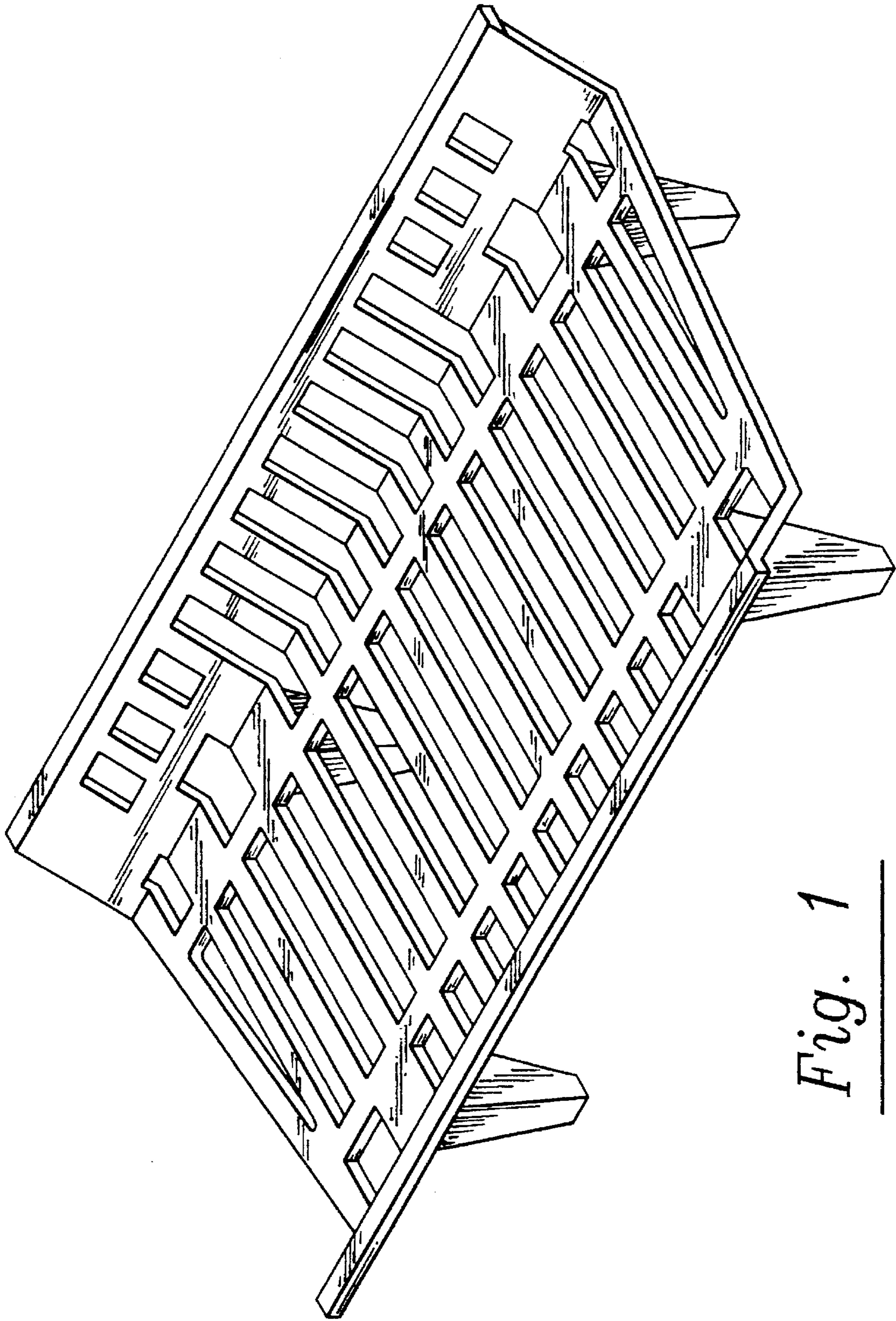


Fig. 1

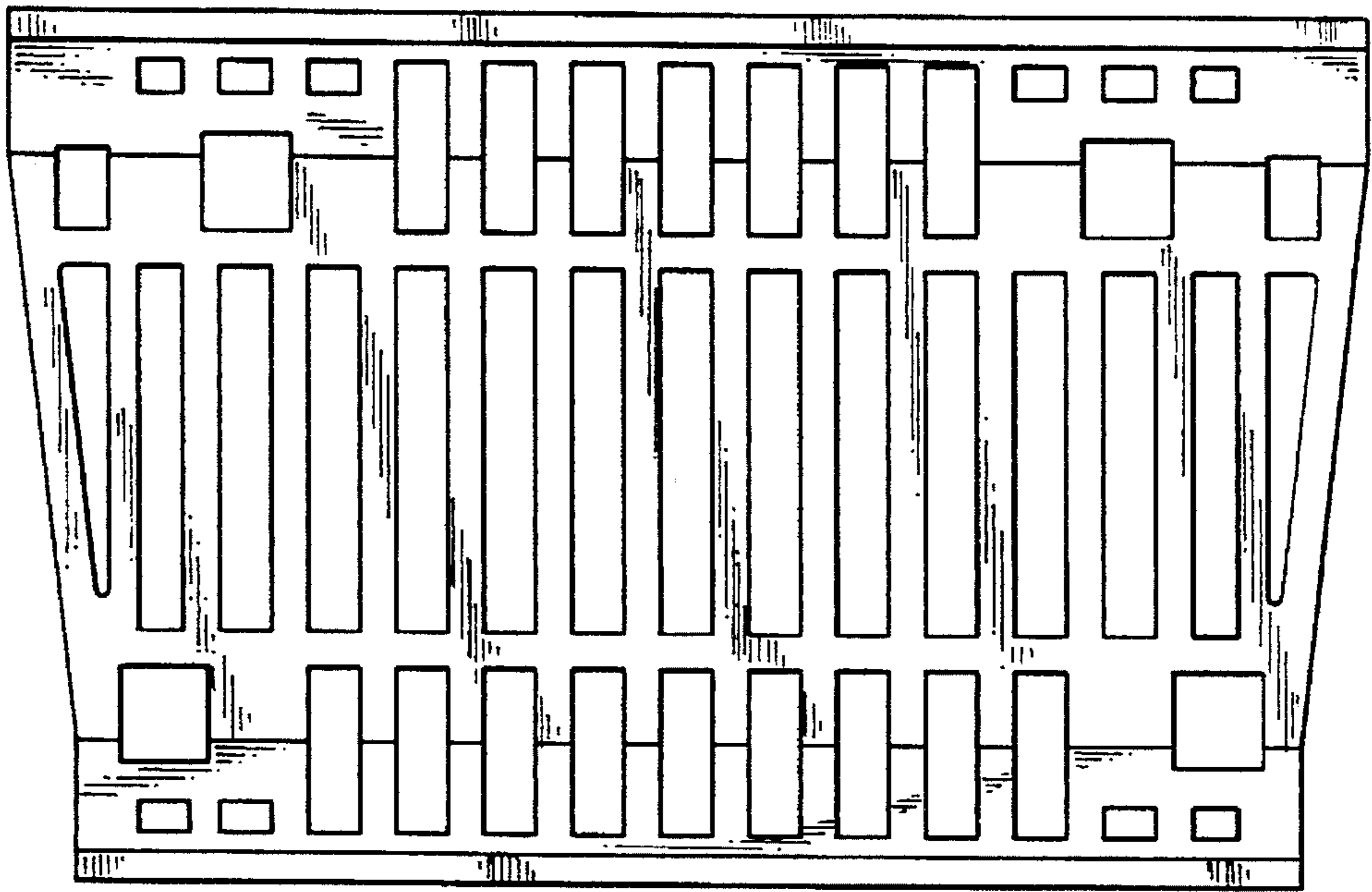


Fig. 2

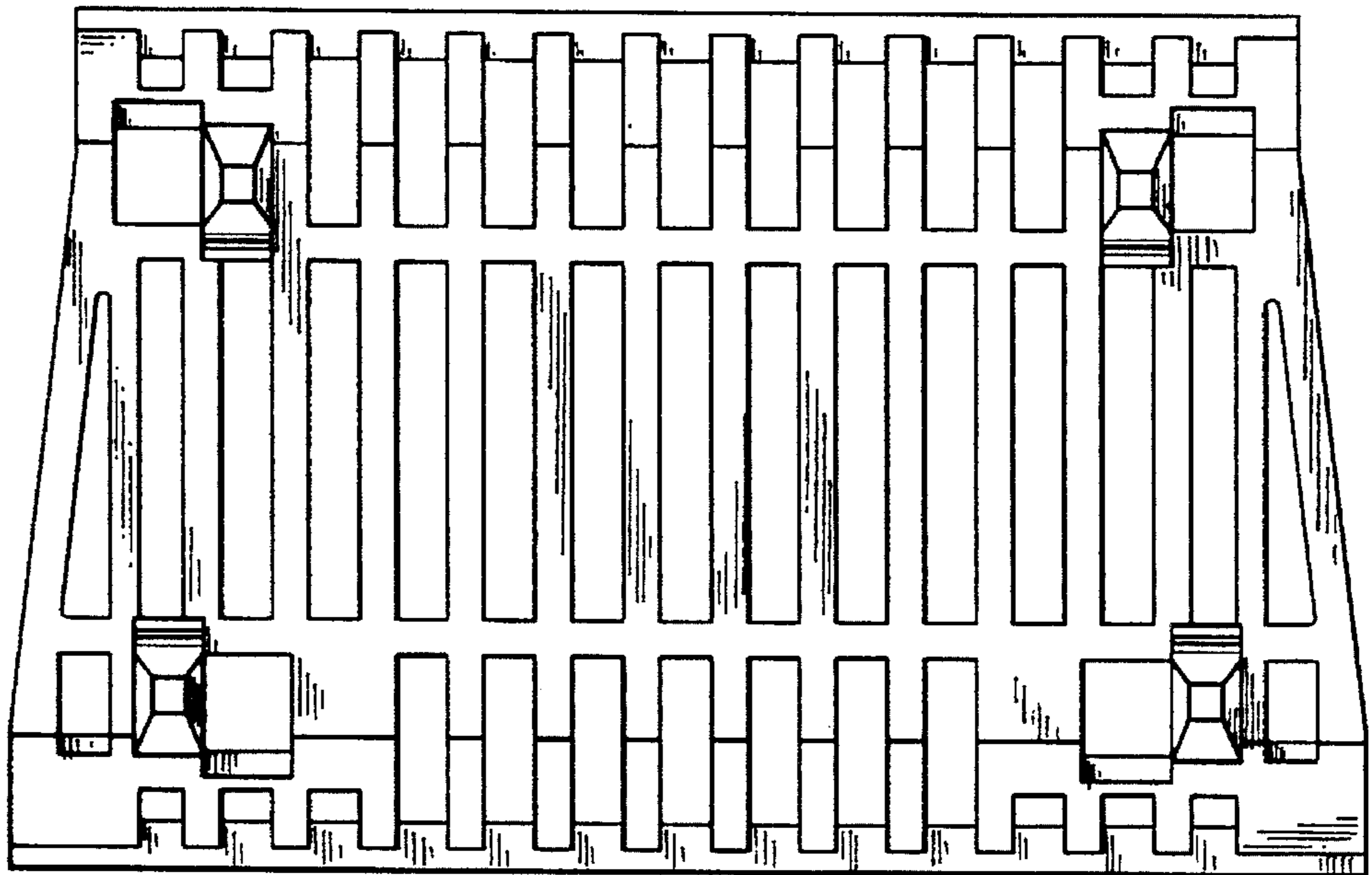


Fig. 3

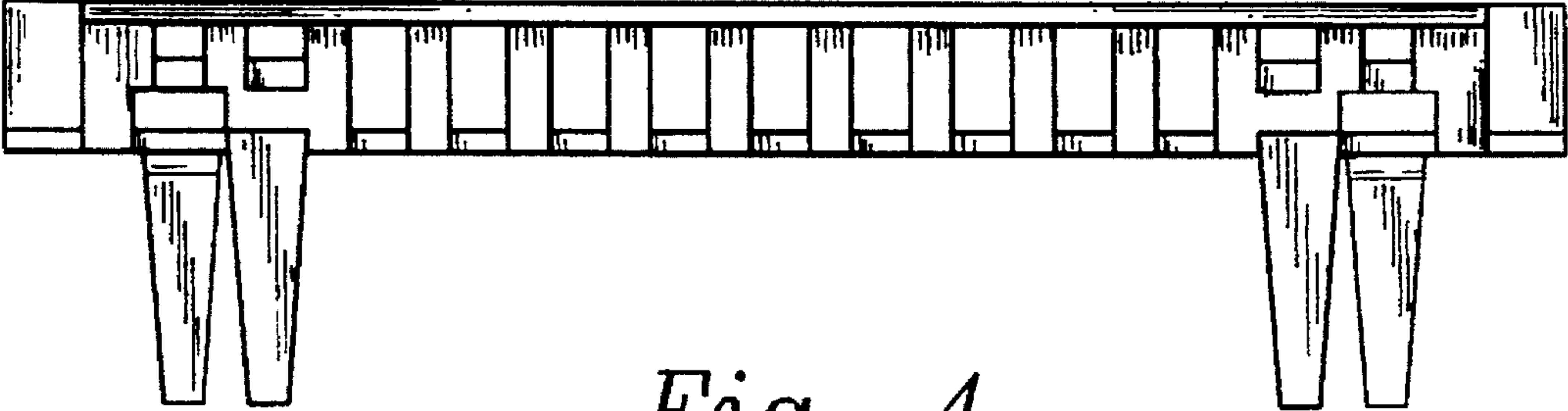


Fig. 4

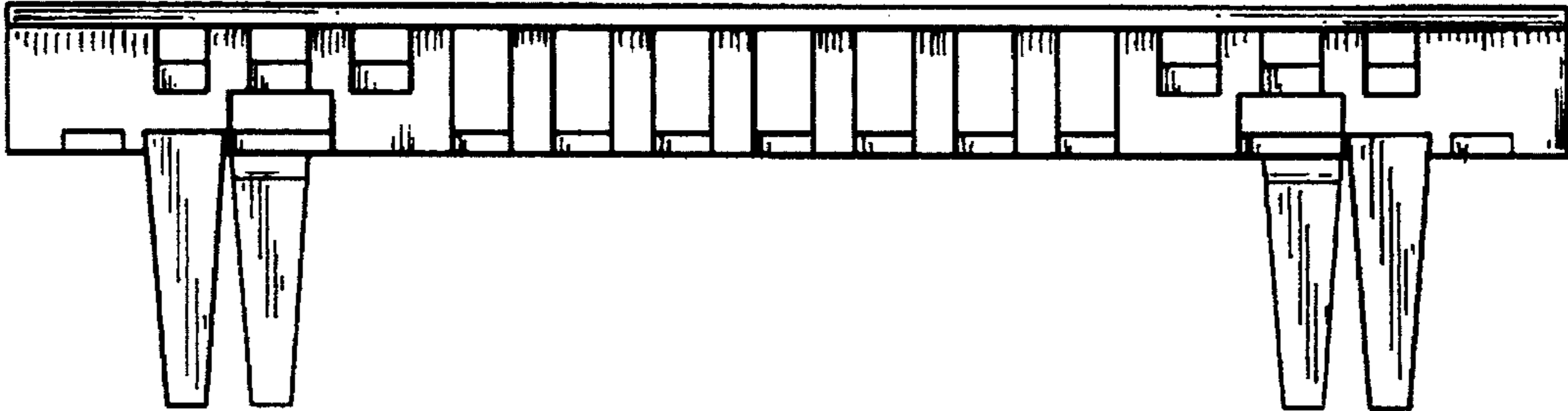


Fig. 5

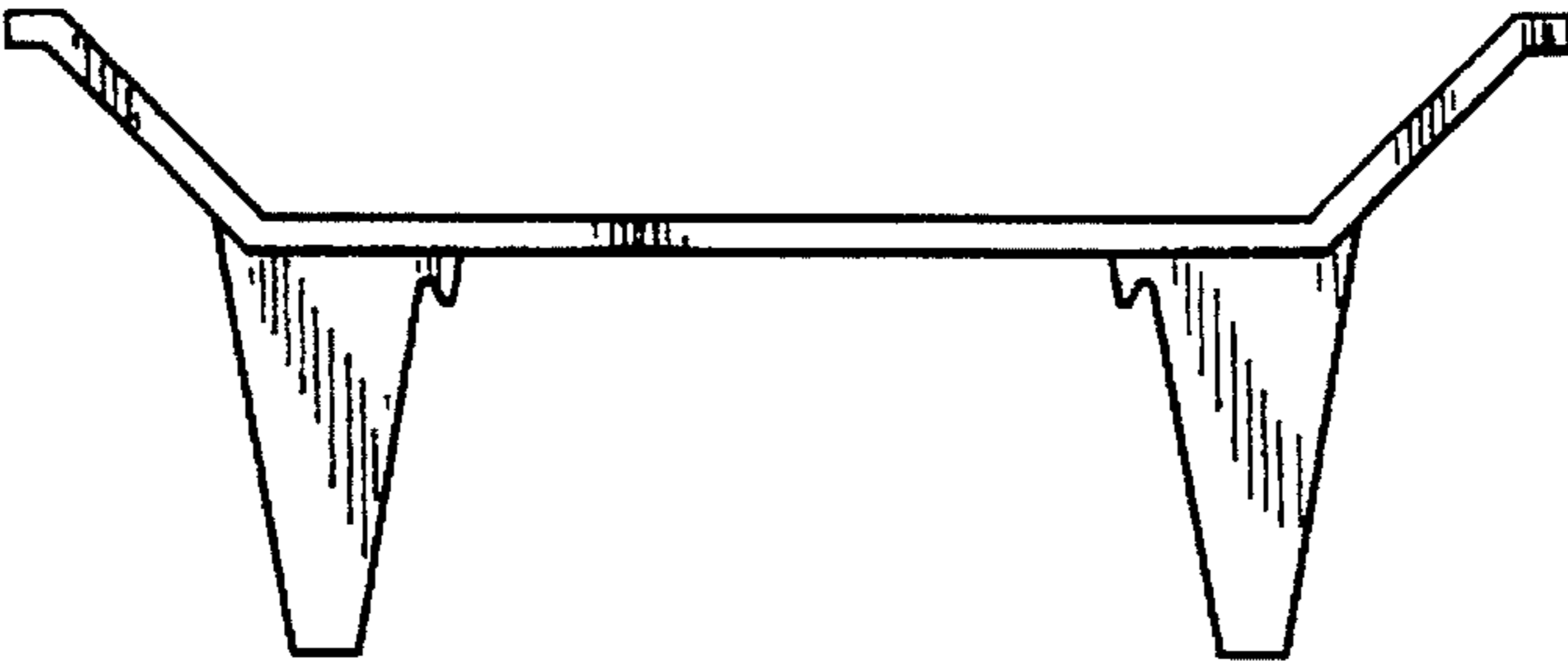


Fig. 6