



US00D369398S

# United States Patent [19]

Joerger

[11] Patent Number: **Des. 369,398**

[45] Date of Patent: **\*\*Apr. 30, 1996**

[54] **LAVATORY FAUCET SET**

[76] Inventor: **Gerhard E. Joerger**, c/o Joerger  
Armaturen- und Accessoires Fabrik  
GmbH Seckenheimer Landstrasse  
270-280, 6800 Mannheim 1, Germany

[\*\*] Term: **14 Years**

[21] Appl. No.: **24,063**

[22] Filed: **Jun. 7, 1994**

[52] U.S. Cl. .... **D23/242**

[58] Field of Search ..... D23/238-243,  
D23/255-258; 4/675-678; 137/801; D18/26;  
D21/51, 52, 53

[56] **References Cited**

**U.S. PATENT DOCUMENTS**

D. 273,512	4/1984	Arnolds	.....	D23/242
D. 284,886	7/1986	Joerger	.....	D23/242
D. 284,992	8/1986	Joerger	.....	D23/242
D. 291,236	8/1987	Delepine	.....	D23/242
D. 327,919	7/1992	LaPointe	.....	D21/52
D. 355,680	2/1995	Escobar et al.	.....	D21/52

Primary Examiner—Louis S. Zarfaz

Assistant Examiner—Eric Watterson  
Attorney, Agent, or Firm—Jordan and Hamburg

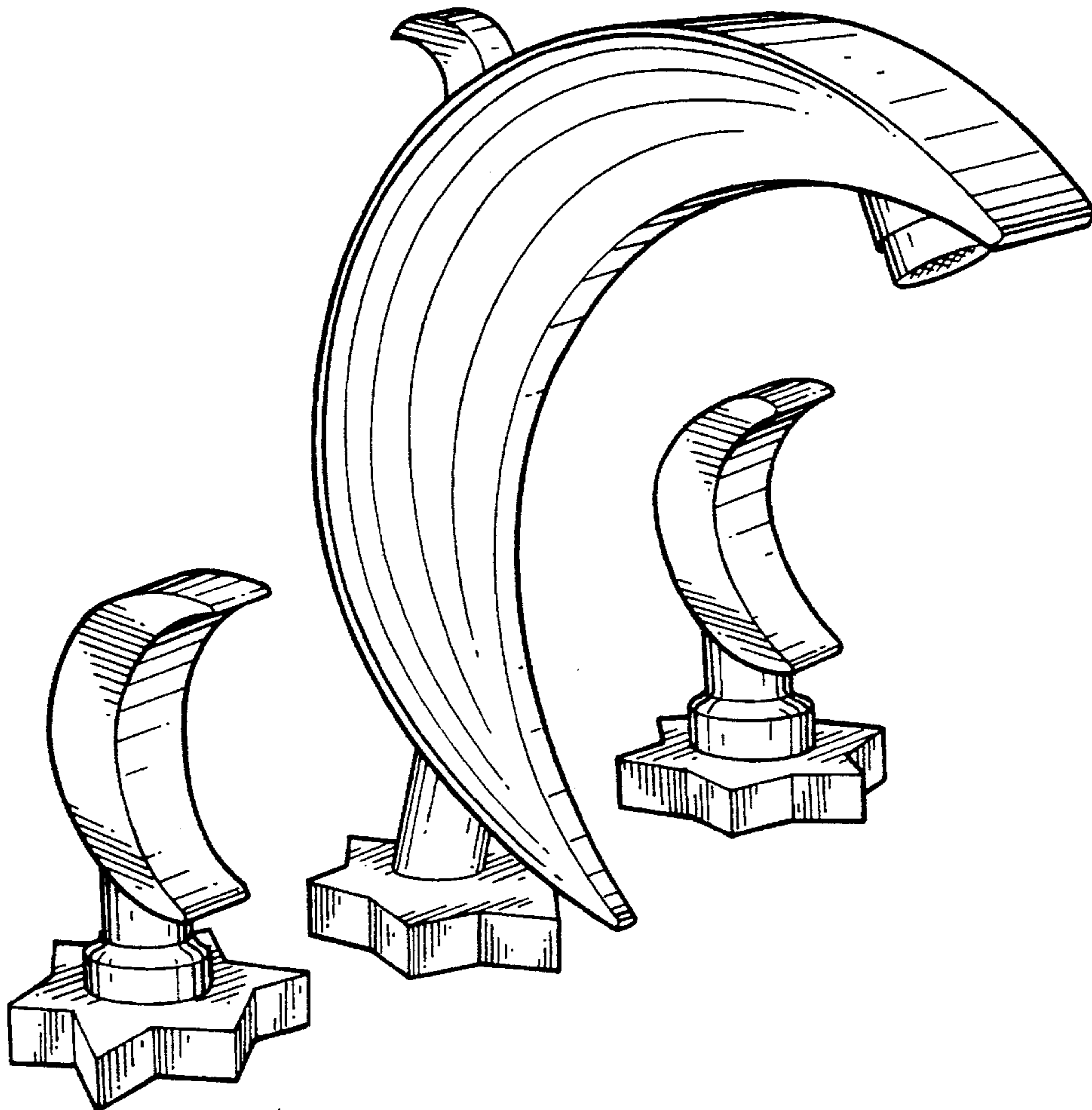
[57] **CLAIM**

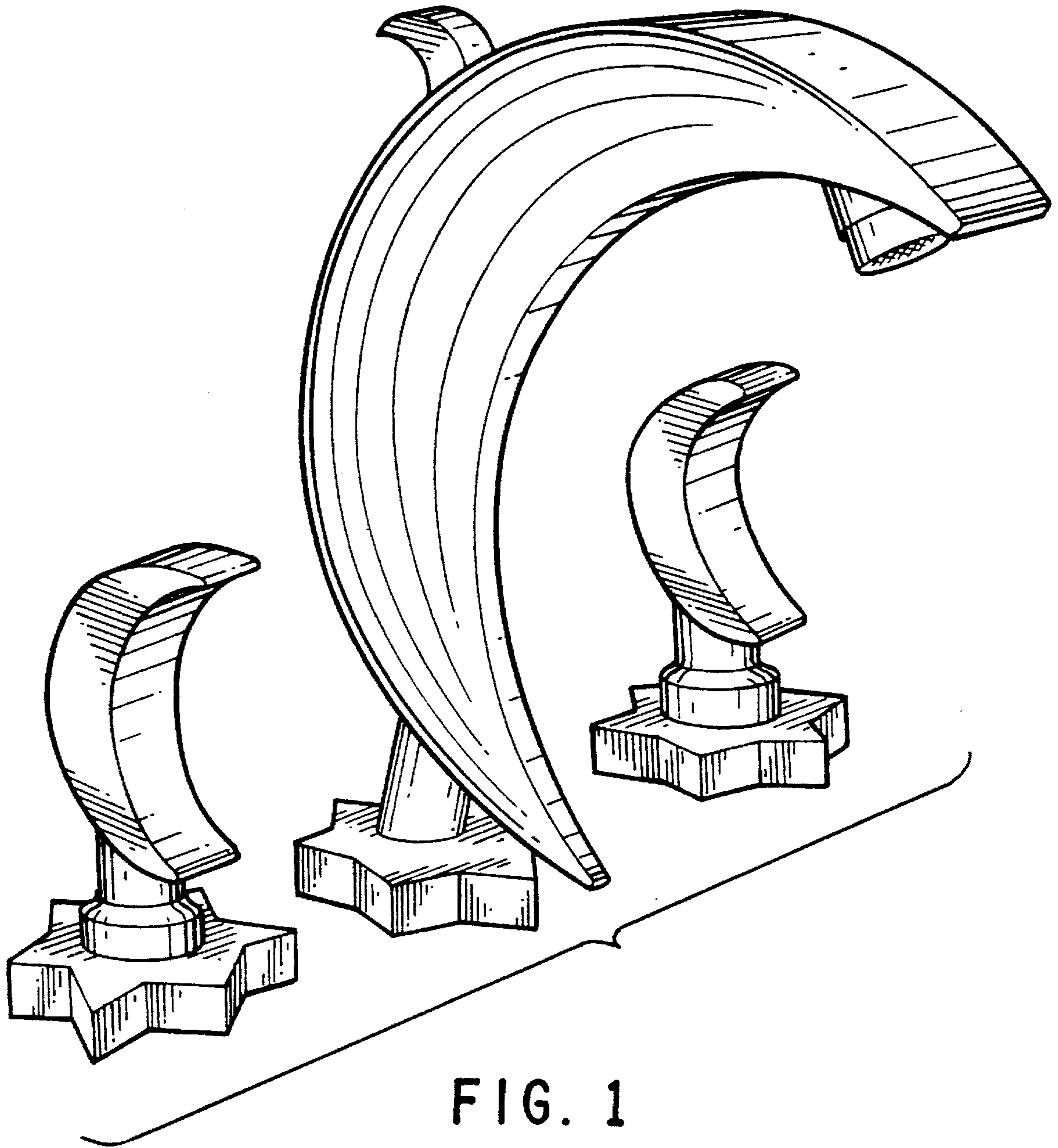
The ornamental design for a lavatory faucet set, as shown and described.

**DESCRIPTION**

FIG. 1 is a top front perspective view of a lavatory faucet set showing my new design;  
 FIG. 2 is a front elevational view thereof;  
 FIG. 3 is a right side elevational view thereof, the left side being a mirror image of the right side shown;  
 FIG. 4 is a rear elevational view thereof;  
 FIG. 5 is a top plan view thereof;  
 FIG. 6 is a bottom plan view thereof; and,  
 FIG. 7 is a top front perspective view of the embodiment of FIG. 1 having base portions of the lavatory faucet set rotated 30° relative to the position of the base portions in FIG. 1, otherwise identical to the first embodiment.  
 The fragmentary broken line showing of a lavatory in FIGS. 2 and 4 is for purposes of illustration only and forms no part of the claimed design.

**1 Claim, 6 Drawing Sheets**





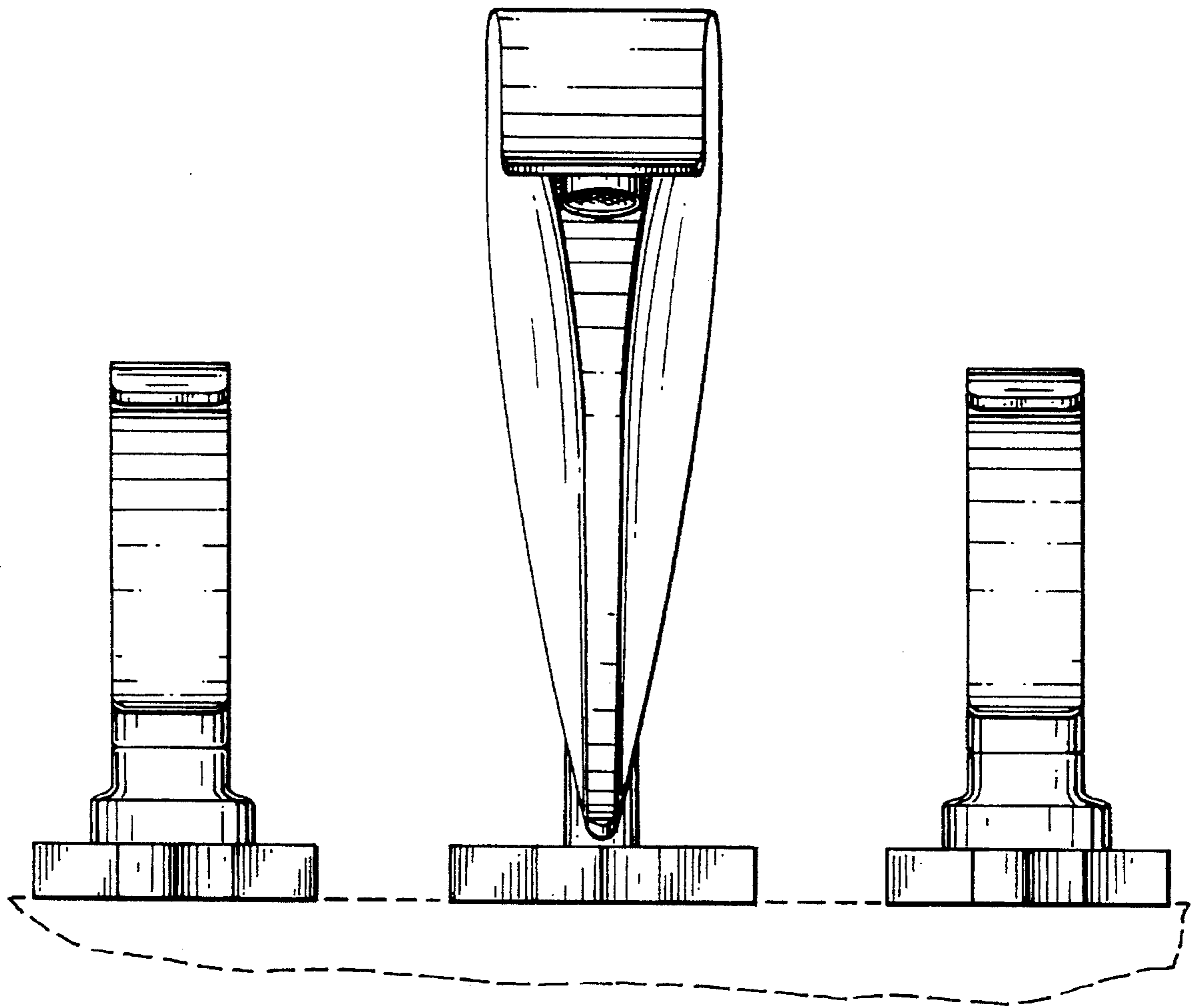


FIG. 2

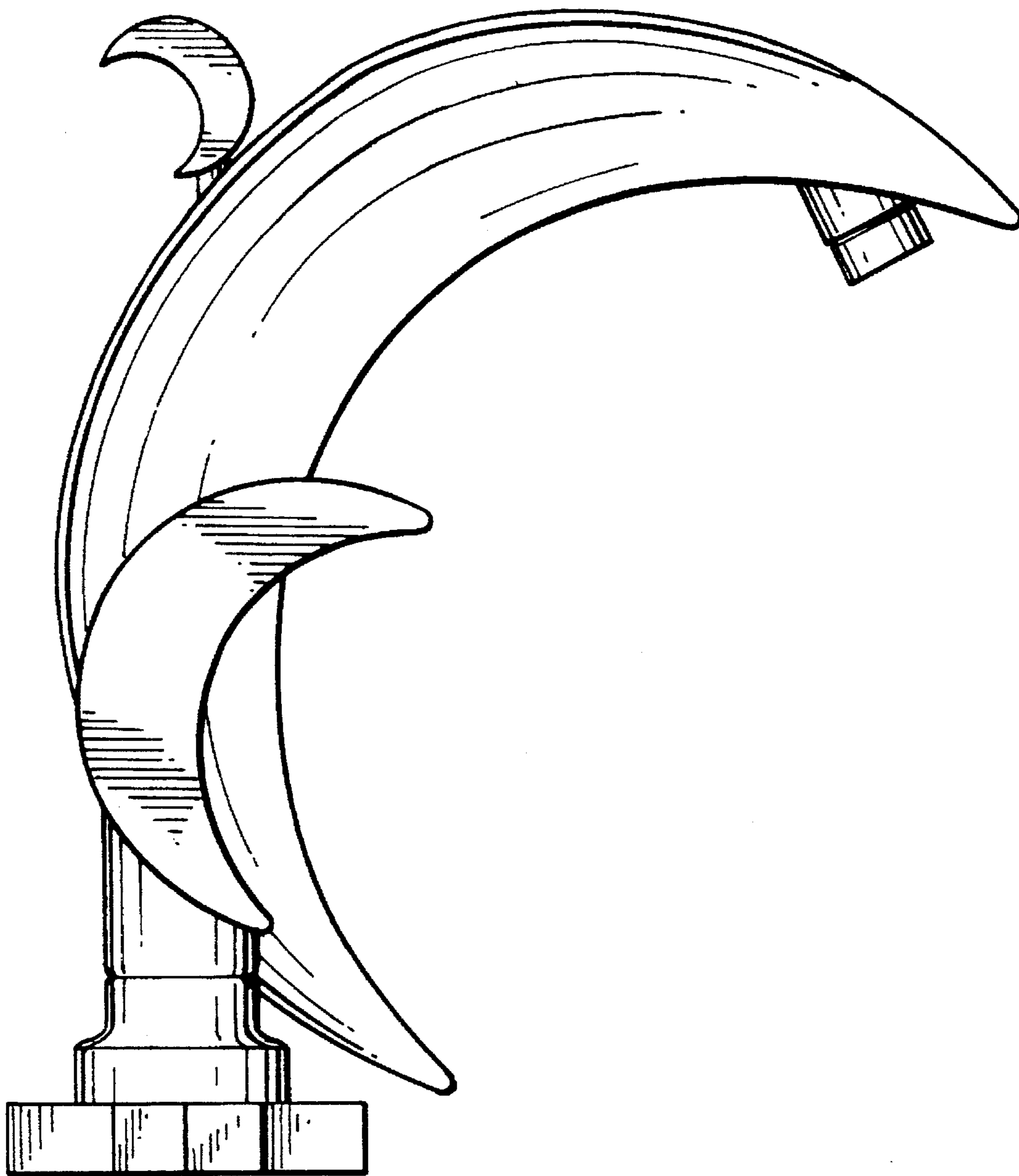


FIG. 3

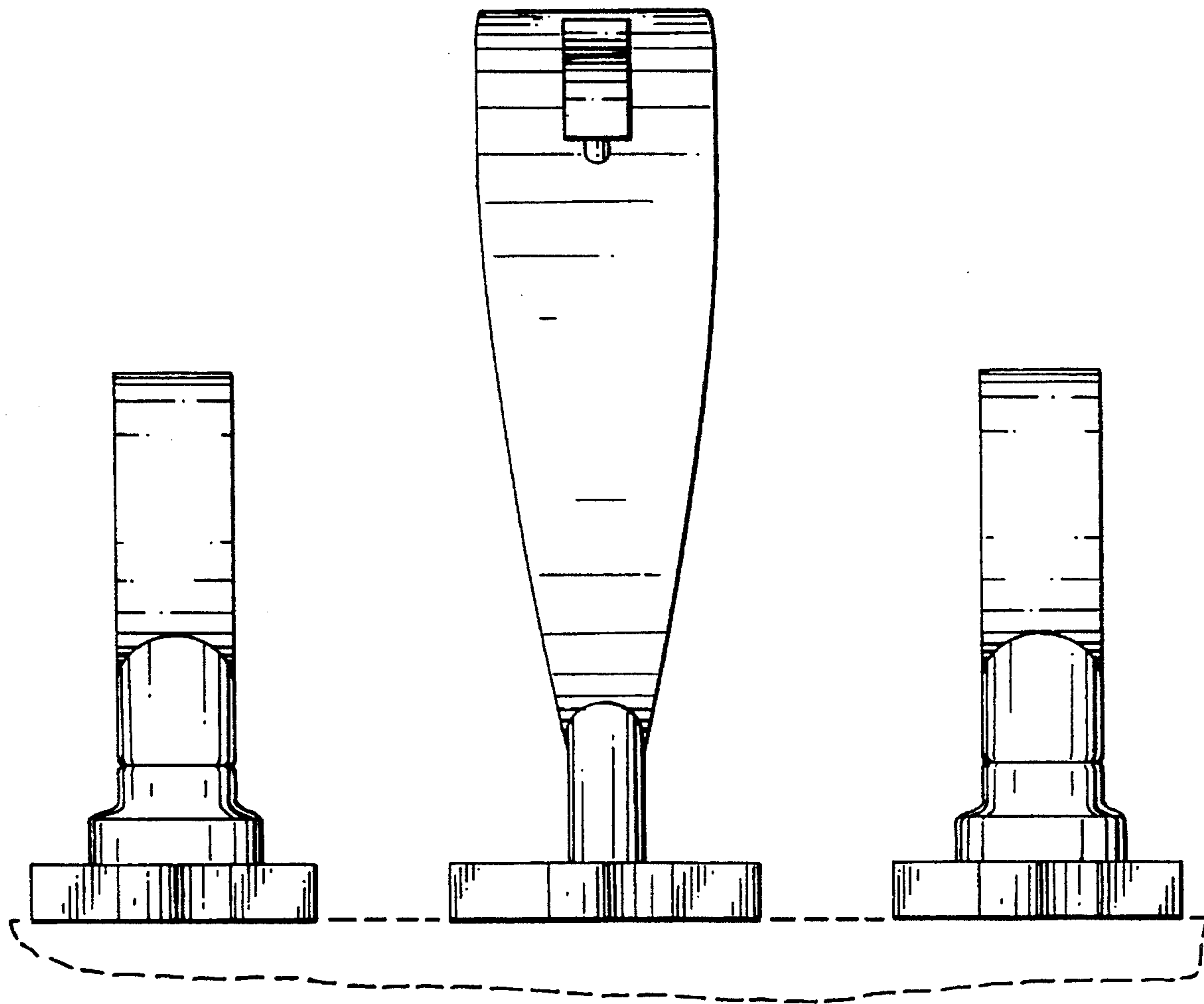


FIG. 4



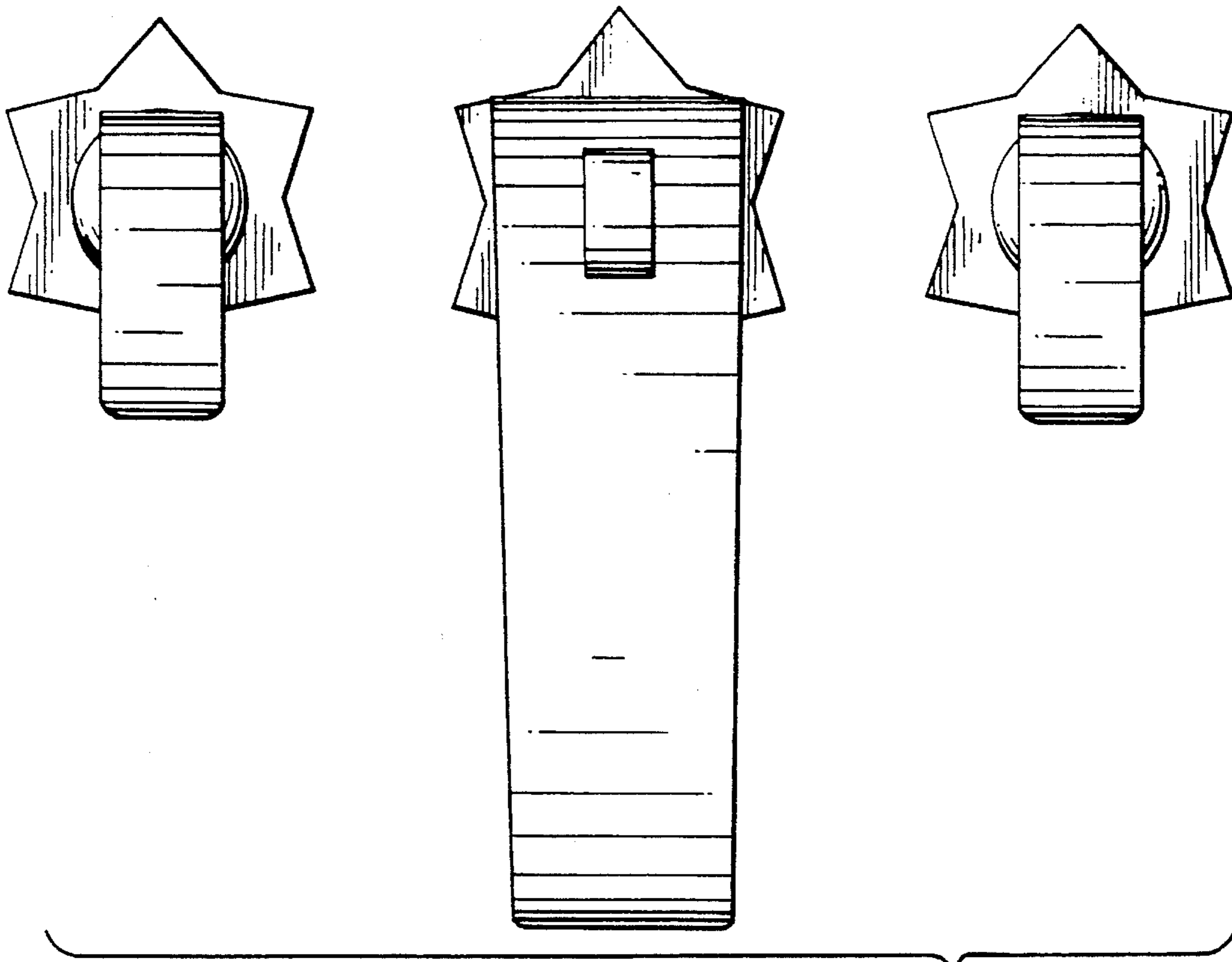


FIG. 5

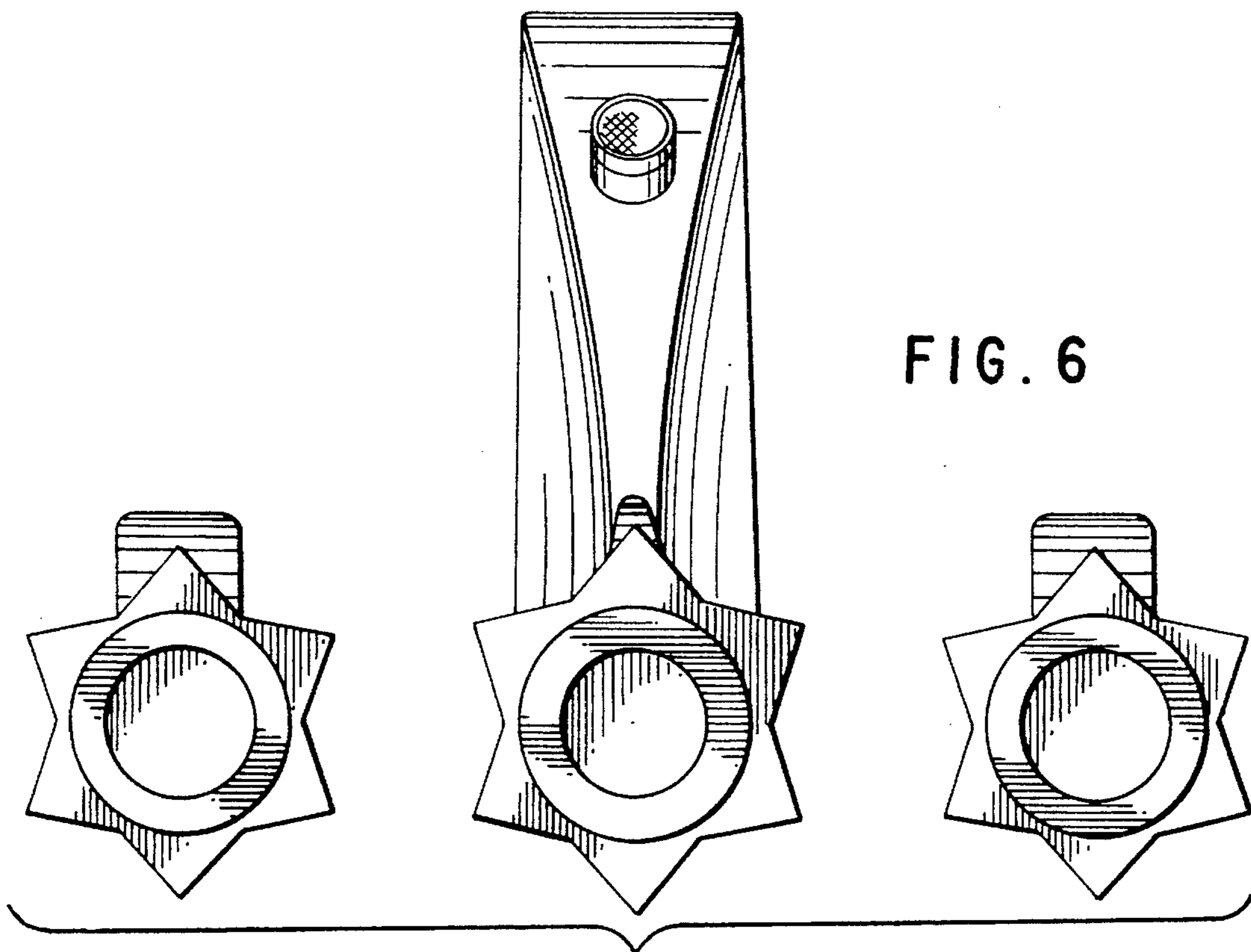


FIG. 6

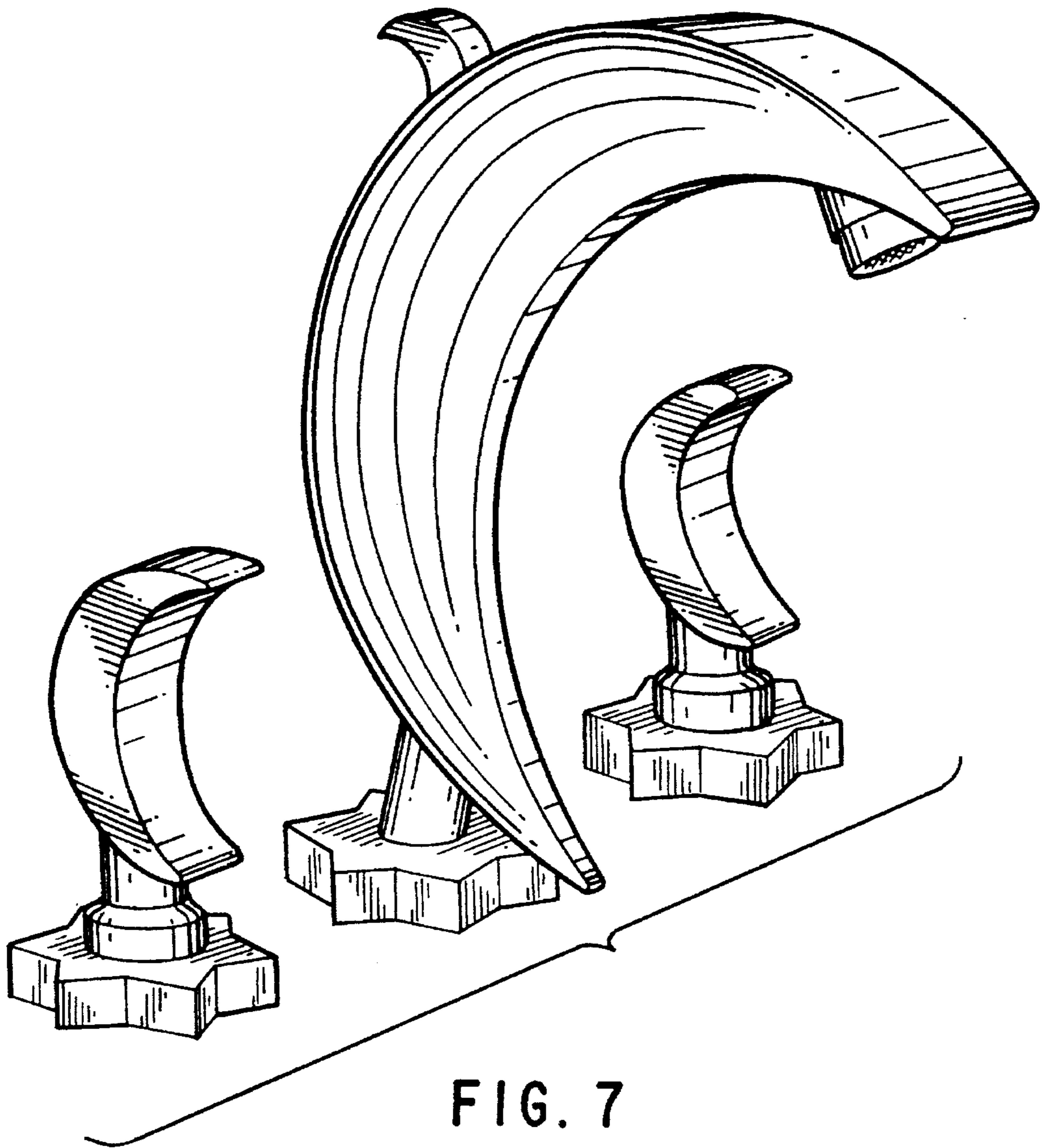


FIG. 7