



US00D369395S

United States Patent [19]
Dewberry

[11] **Patent Number: Des. 369,395**

[45] **Date of Patent: **Apr. 30, 1996**

[54] **INSECT REPELLER**

[76] **Inventor: George M. Dewberry, 404 Baldwin St., Greenville, Mich. 48838**

[**] **Term: 14 Years**

[21] **Appl. No.: 37,037**

[22] **Filed: Apr. 3, 1995**

[52] **U.S. Cl. D22/122; D22/120; D22/123**

[58] **Field of Search D22/119-123; 119/123; 43/124, 107, 110, 125, 130, 131, 132.1**

[56] **References Cited**

U.S. PATENT DOCUMENTS

D. 228,652	10/1973	Byerley	D22/120
D. 238,171	12/1975	Banich	D22/120
D. 294,852	3/1988	Schroeder et al.	D22/120
4,870,779	10/1989	Johnson et al.	43/124

Primary Examiner—Doris V. Coles
Attorney, Agent, or Firm—Varnum, Riddering, Schmidt & Howlett

[57] **CLAIM**

The ornamental design for an insect repeller, as shown and described.

DESCRIPTION

FIG. 1 is a perspective view of an insect repeller which embodies my design;

FIG. 2 is a front view thereof;

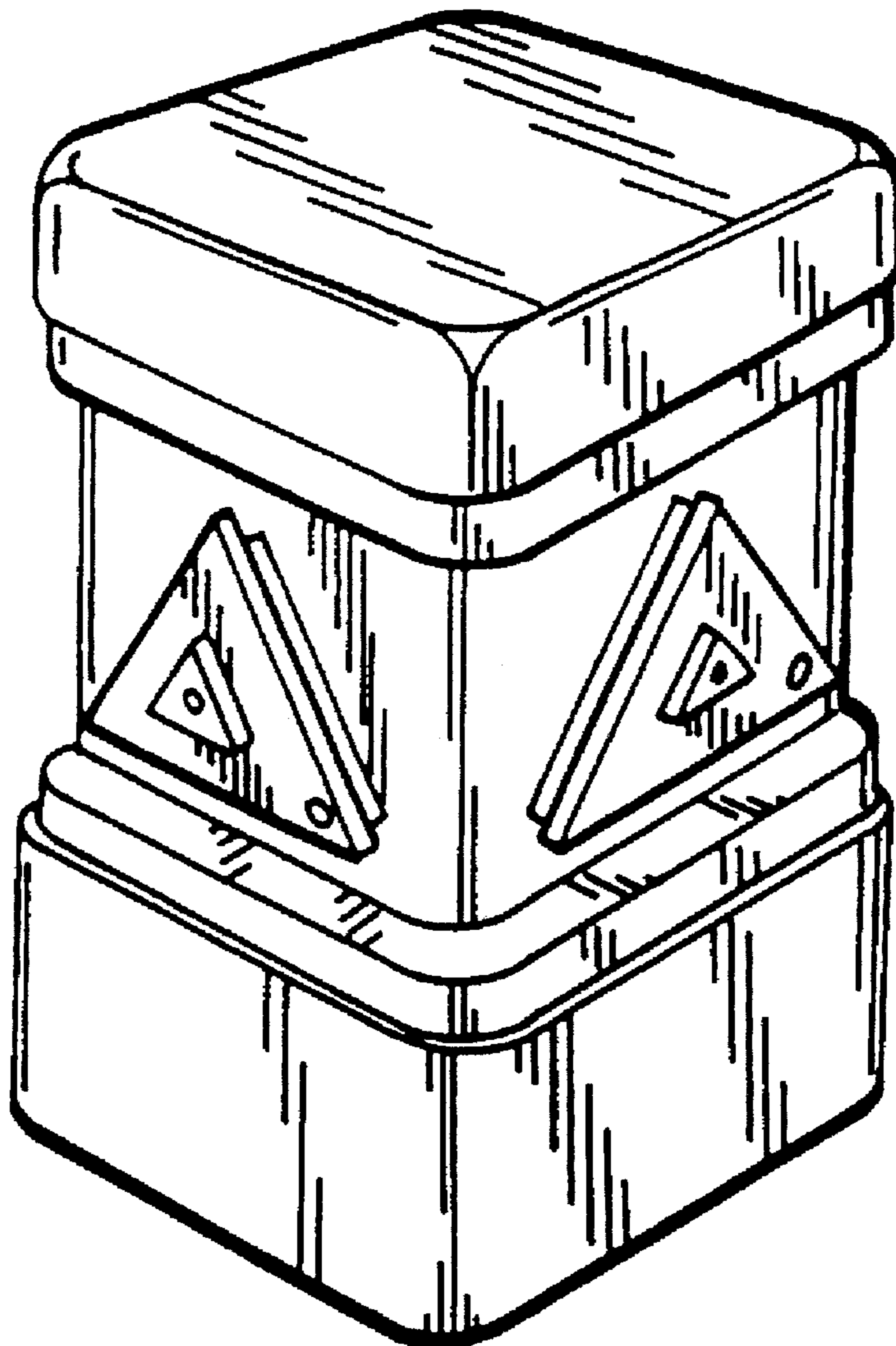
FIG. 3 is a left side view thereof;

FIG. 4 is a right side elevational view thereof; the rear elevational view thereof being a mirror image thereof;

FIG. 5 is a bottom view thereof; and,

FIG. 6 is a top view thereof.

1 Claim, 1 Drawing Sheet



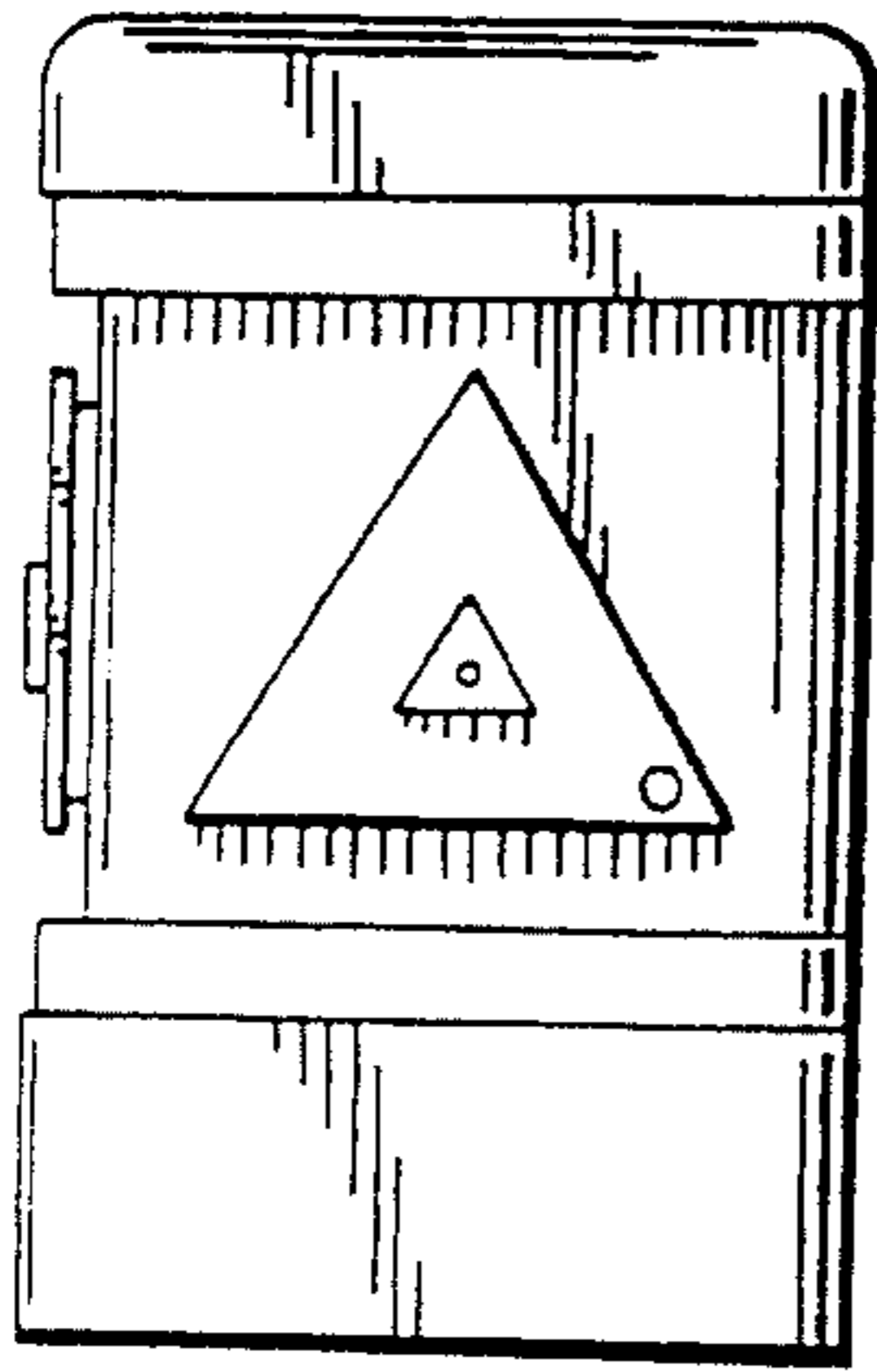


Fig. 2

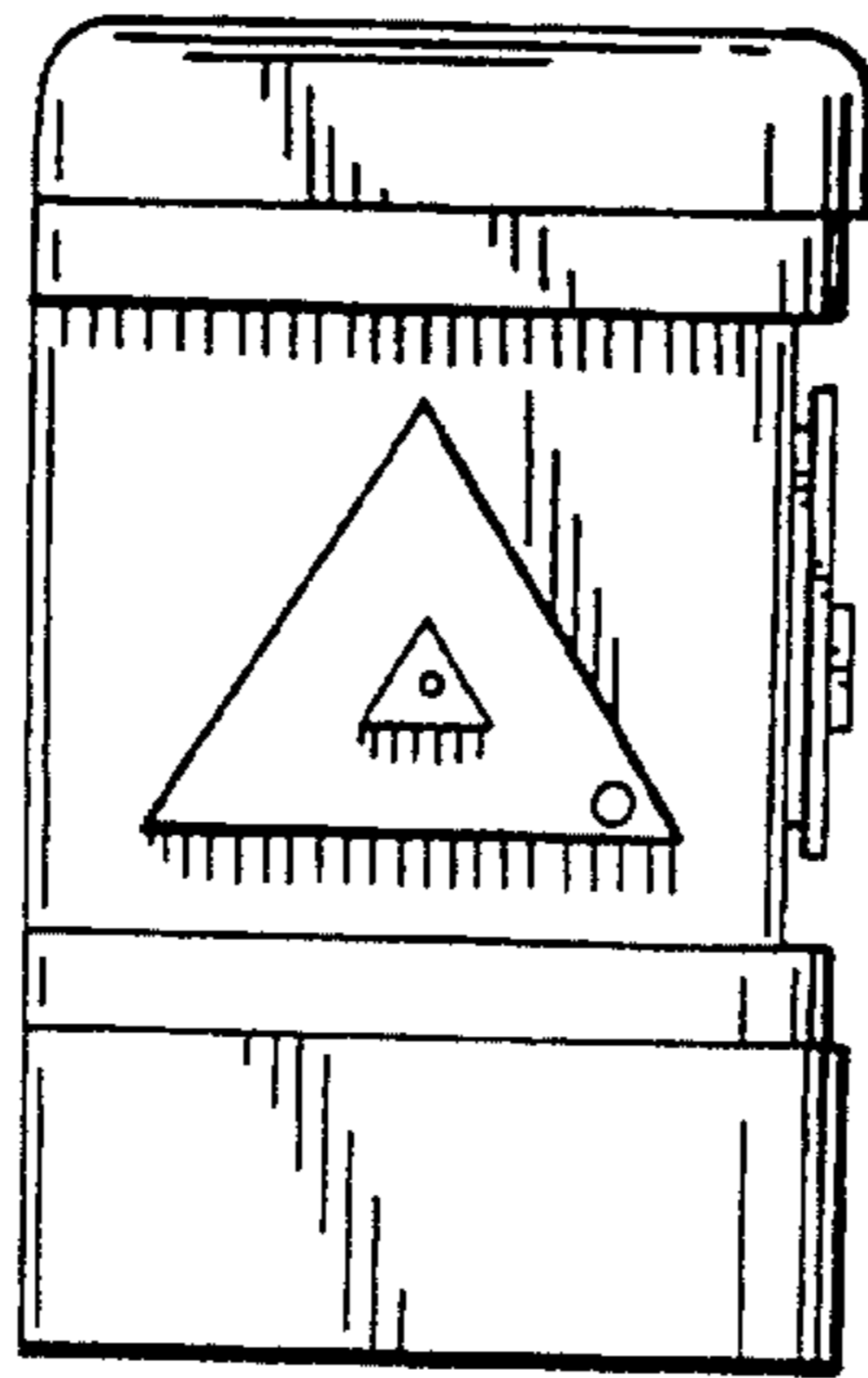


Fig. 3

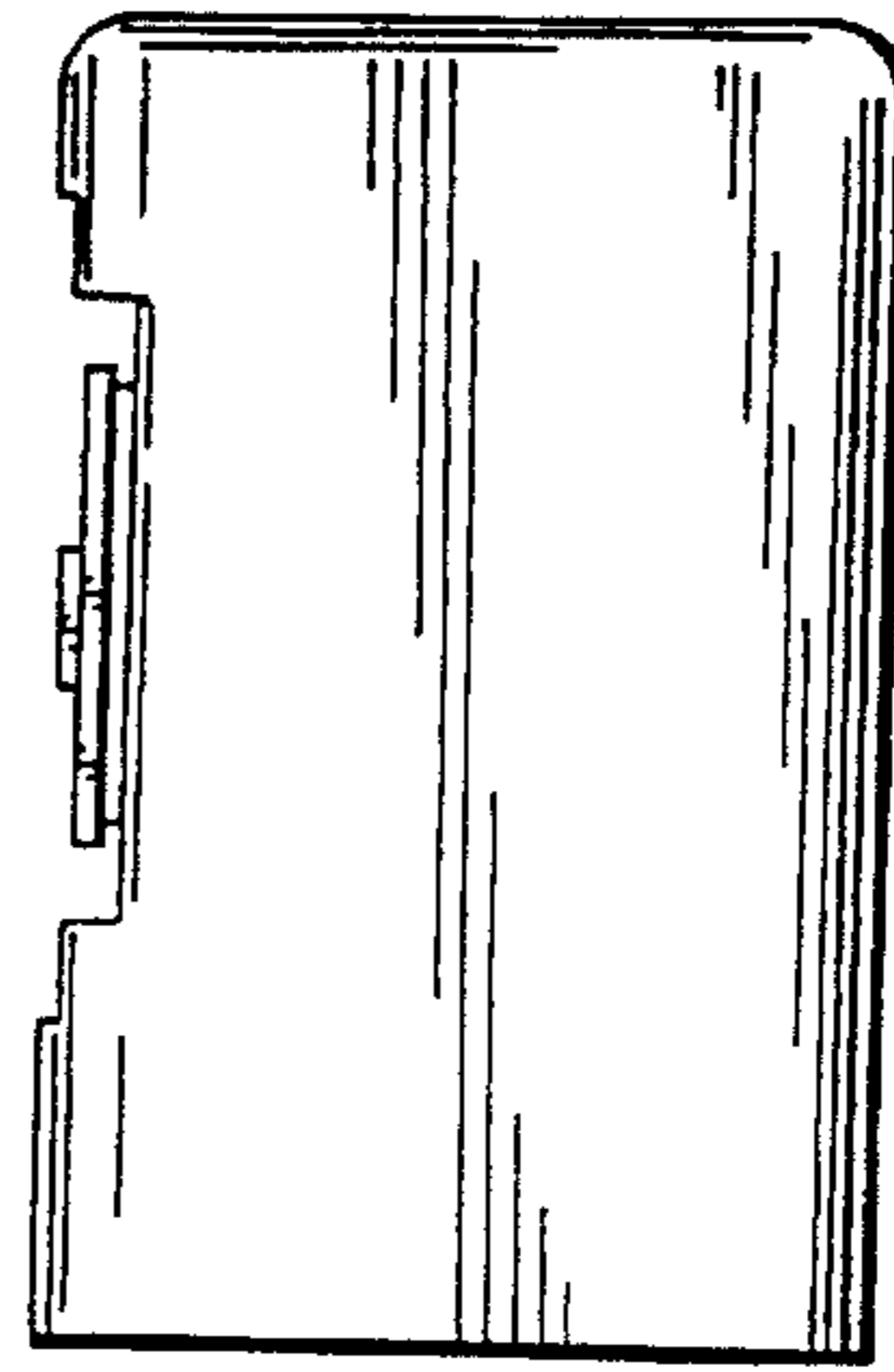


Fig. 4

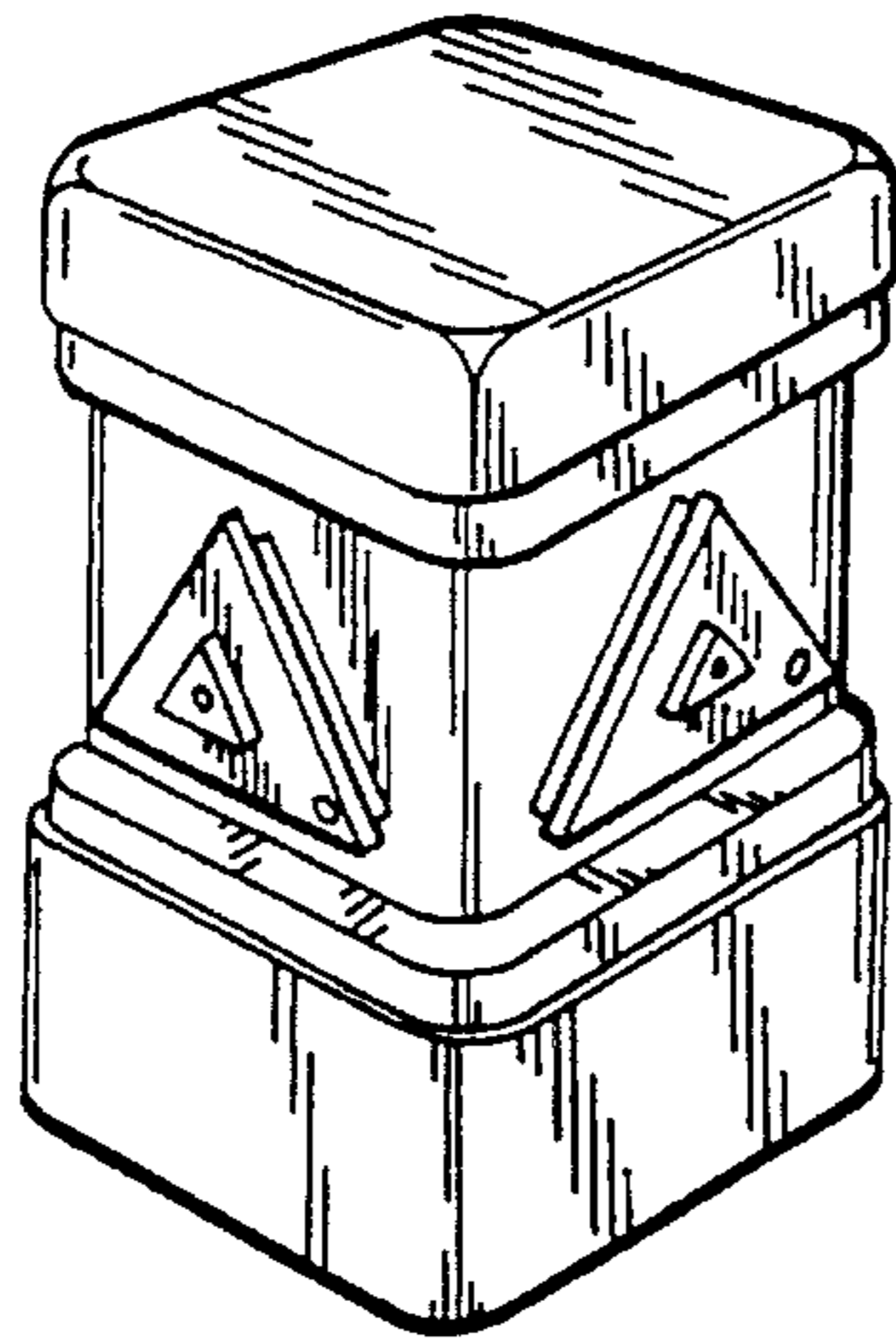


Fig. 1

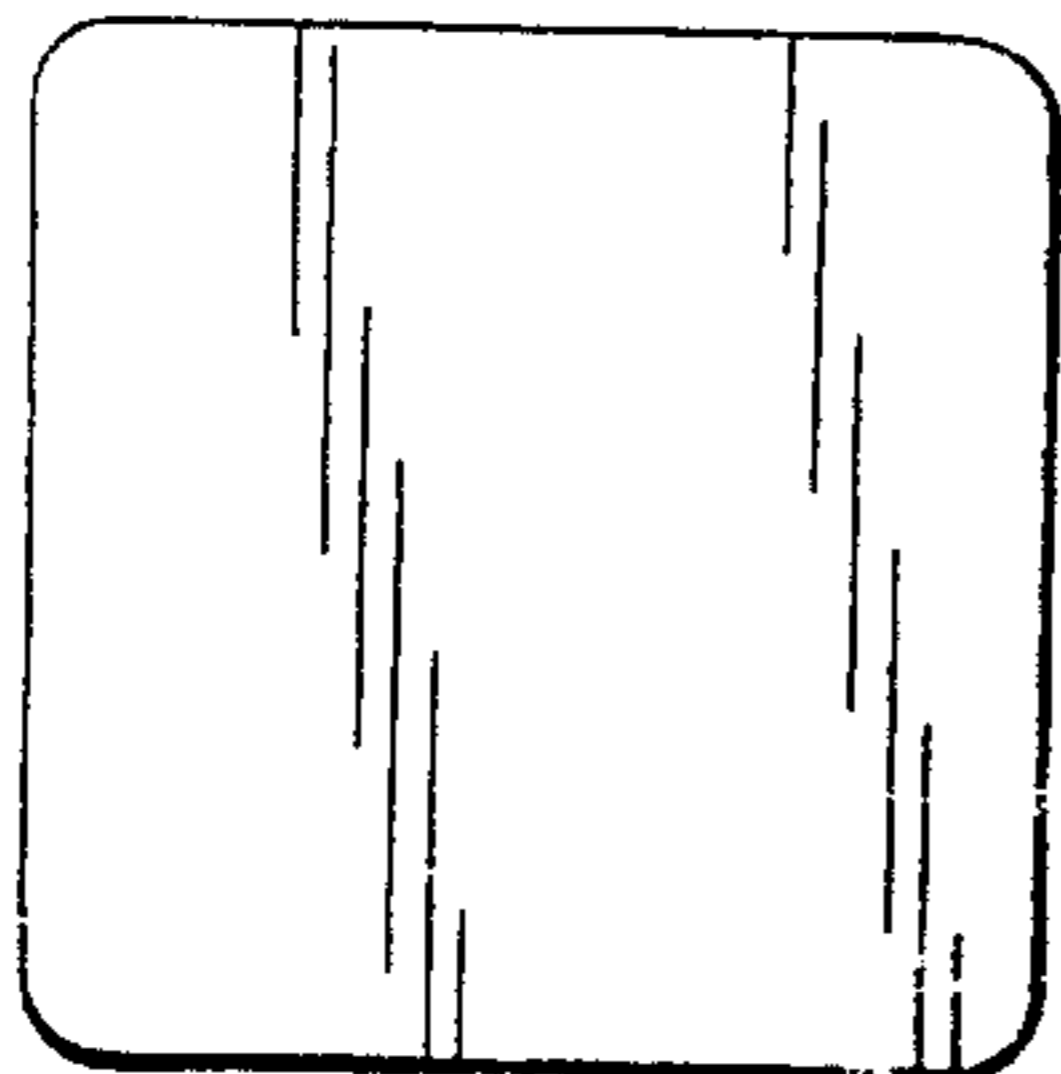


Fig. 5

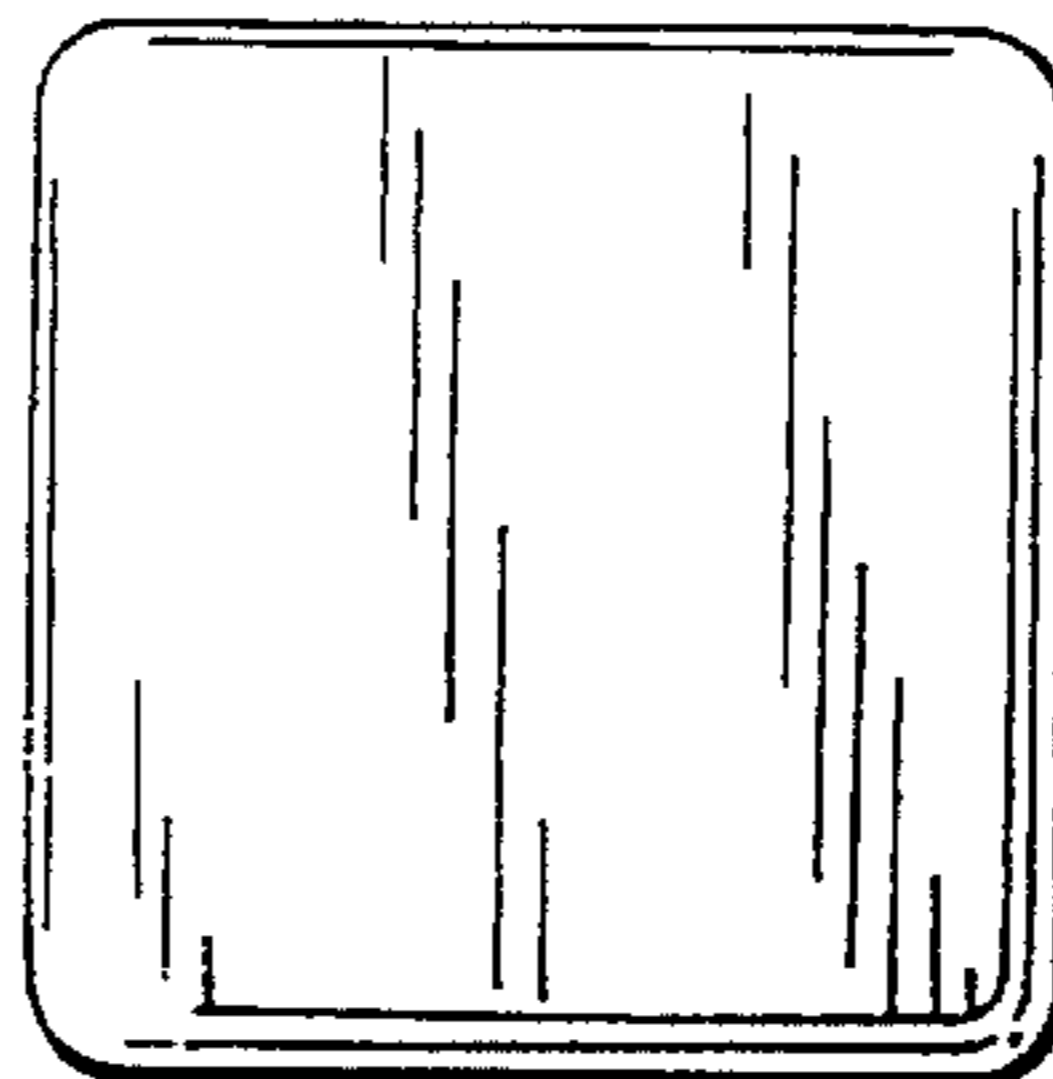


Fig. 6