



US00D369391S

United States Patent [19] Jump, Jr.

[11] Patent Number: **Des. 369,391**

[45] Date of Patent: ****Apr. 30, 1996**

[54] **FOOT PAD EXERCISER**

[76] Inventor: **James E. Jump, Jr.**, 10662 Ivyridge,
Houston, Tex. 77043

[**] Term: **14 Years**

[21] Appl. No.: **31,475**

[22] Filed: **Nov. 28, 1994**

[52] U.S. Cl. **D21/191**

[58] Field of Search D21/191, 192,
D21/193, 198, 108; D6/596, 598, 601,
502; 5/631, 633, 638, 648, 650; D24/183,
184; 482/79, 80, 145; D28/63; D32/40

[56] **References Cited**

U.S. PATENT DOCUMENTS

D. 47,140	3/1915	Newkirk	D6/601
D. 218,888	10/1970	Blank	D6/502
D. 259,689	6/1981	Handel	D6/502
D. 326,931	6/1992	Tomsick	D32/40
D. 330,989	11/1992	Evans	D6/601
D. 335,984	6/1993	Avery	D6/502

D. 337,685	7/1993	Bennett	D6/601
D. 338,580	8/1993	Evans	D6/502
D. 341,509	11/1993	Evans	D6/601
5,237,713	8/1993	Prager	5/648

Primary Examiner—Ted Shooman
Assistant Examiner—Philip Hyder
Attorney, Agent, or Firm—Kenneth A. Roddy

[57] CLAIM

The ornamental design for a foot pad exerciser, as shown and described.

DESCRIPTION

FIG. 1 is an isometric view of a foot pad exerciser showing my new design from the top and one side;
FIG. 2 is an isometric view thereof shown from the bottom and opposite end;
FIG. 3 is an isometric view of a second embodiment of the foot pad exerciser showing my new design from the top and one side; and,
FIG. 4 is an isometric view thereof shown from the bottom and opposite end.

1 Claim, 2 Drawing Sheets

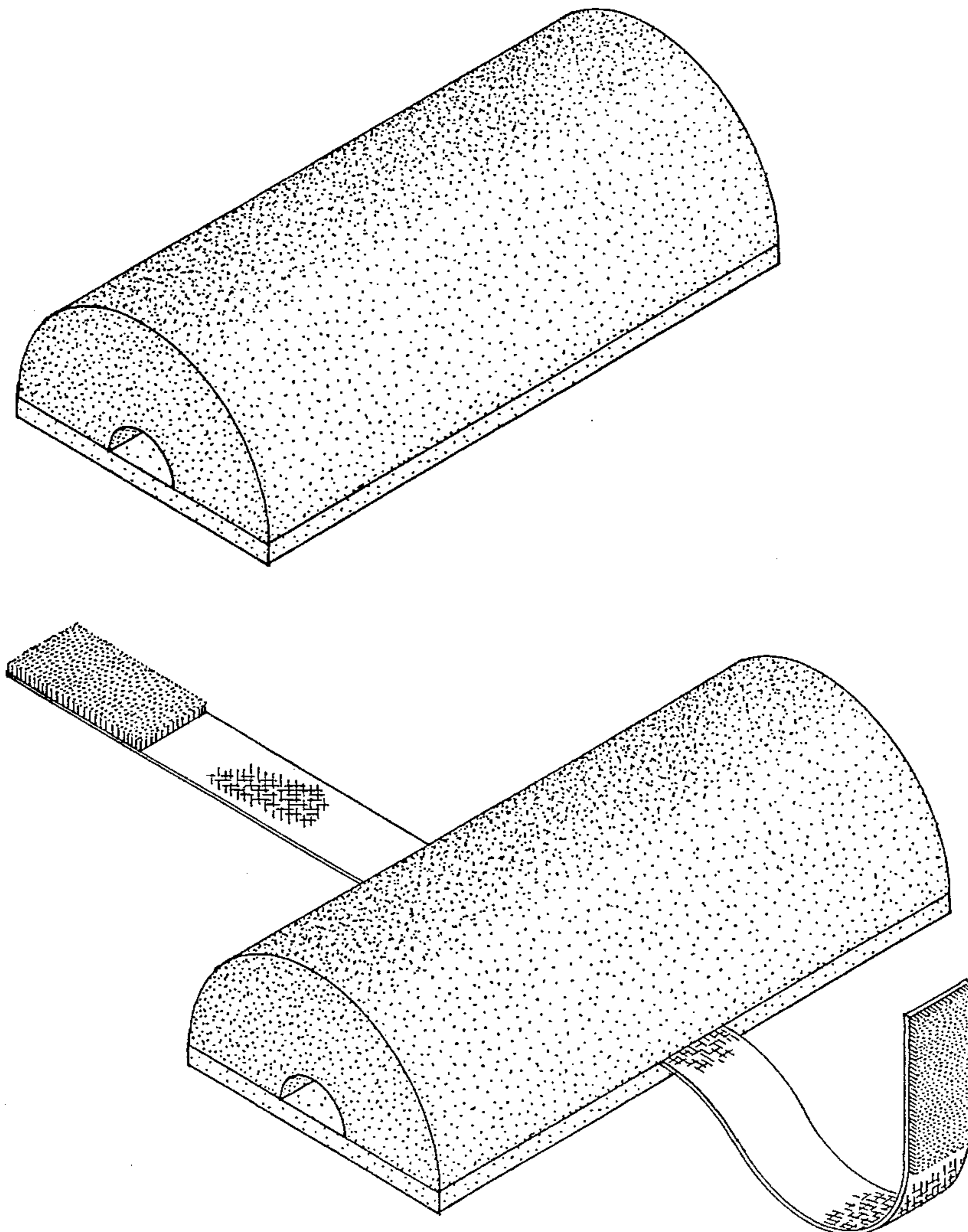


fig. 1

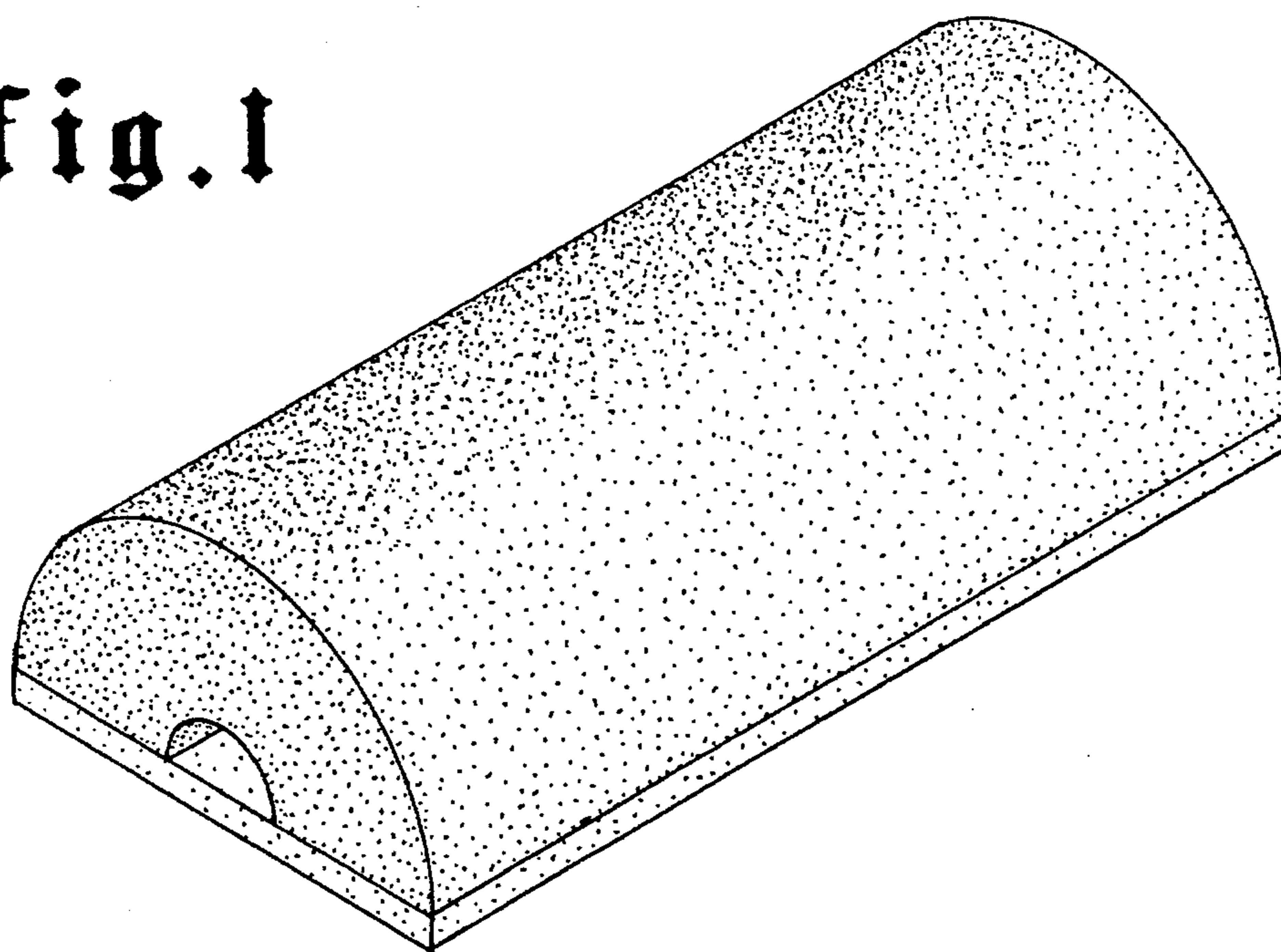


fig. 2

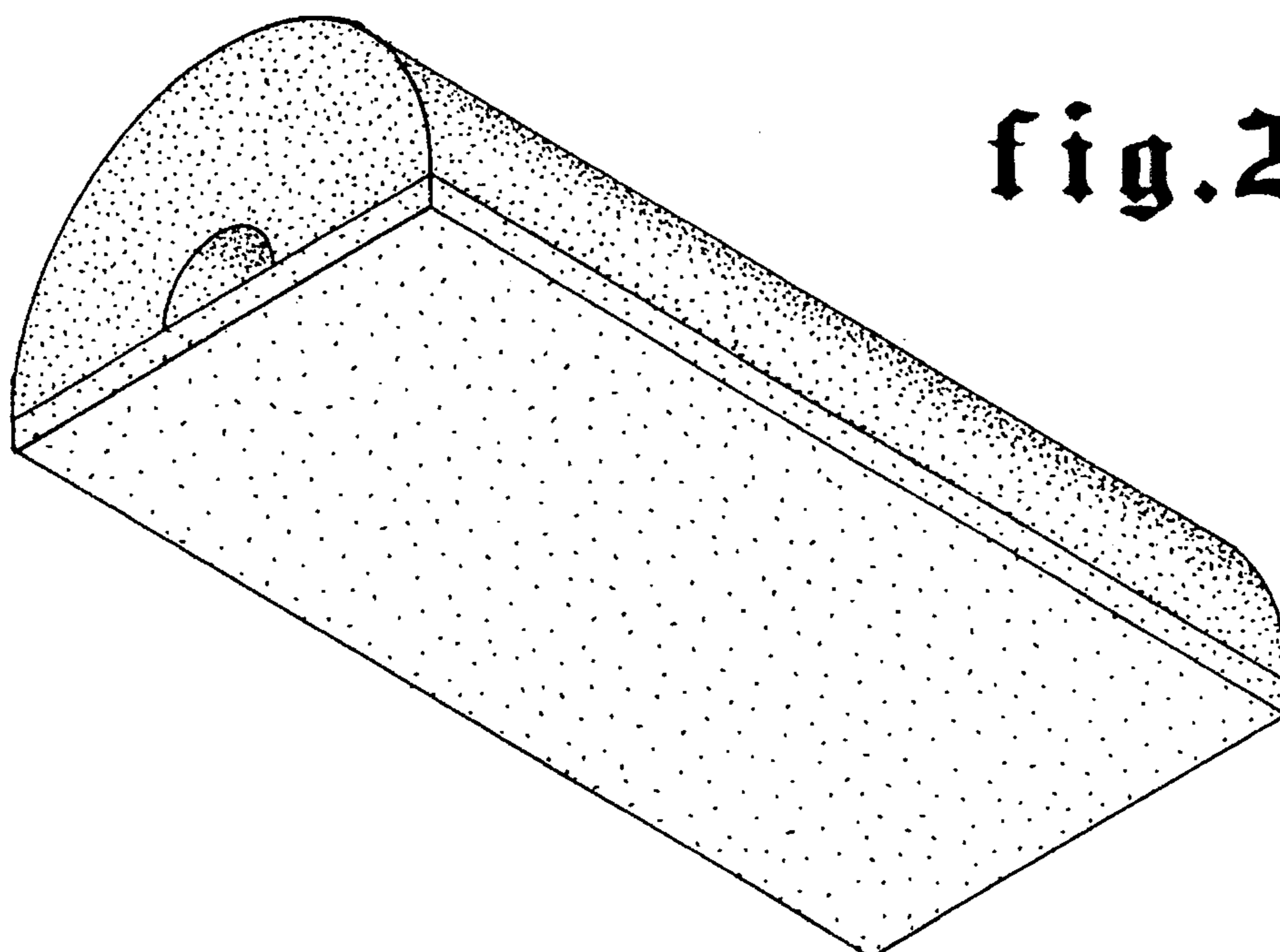


fig. 3

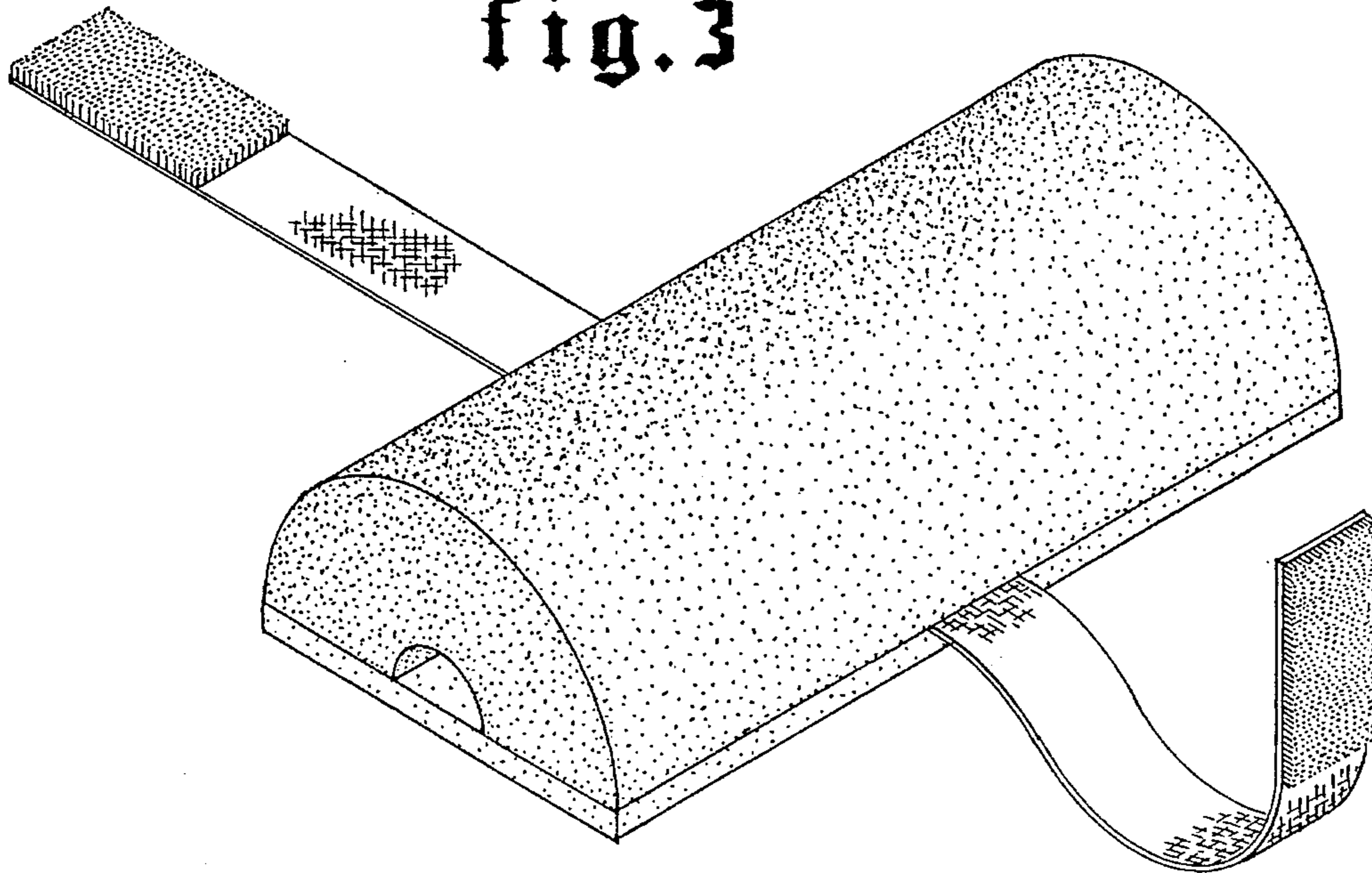


fig. 4

