



US00D369390S

United States Patent [19]

[11] **Patent Number: Des. 369,390**

Haber et al.

[45] **Date of Patent: **Apr. 30, 1996**

[54] **LADDER CLIMBING EXERCISER**

[76] Inventors: **Terry M. Haber**, 25011 Castlewood, El Toro, Calif. 92630; **William H. Smedley**, 33285 Blanche Dr., Lake Elsinore, Calif. 92330; **Clark B. Foster**, 23631 Wakefield Ct., Laguna Niguel, Calif. 92677

4,923,191 5/1990 Persico 482/52
 5,195,935 3/1993 Fencel 482/52
 5,222,927 6/1993 Chang 482/126
 5,328,422 7/1994 Nichols 482/51

Primary Examiner—Philip S. Hyder
Attorney, Agent, or Firm—Hawes & Fischer

[**] Term: **14 Years**

[57] **CLAIM**

The ornamental design for a ladder climbing exerciser, as shown and described.

[21] Appl. No.: **24,918**

DESCRIPTION

[22] Filed: **Jun. 23, 1994**

[52] U.S. Cl. **D21/191**

[58] Field of Search D21/191, 192, D21/193, 194, 195; 482/51, 52, 53, 66, 70, 74, 75

FIG. 1 is a perspective view of a ladder climbing exerciser showing our new design;
 FIG. 2 is a top plan view thereof;
 FIG. 3 is a front elevational view thereof;
 FIG. 4 is a right side elevational view thereof;
 FIG. 5 is a left side elevational view thereof;
 FIG. 6 is a rear elevational view; and,
 FIG. 7 is a bottom plan view thereof.

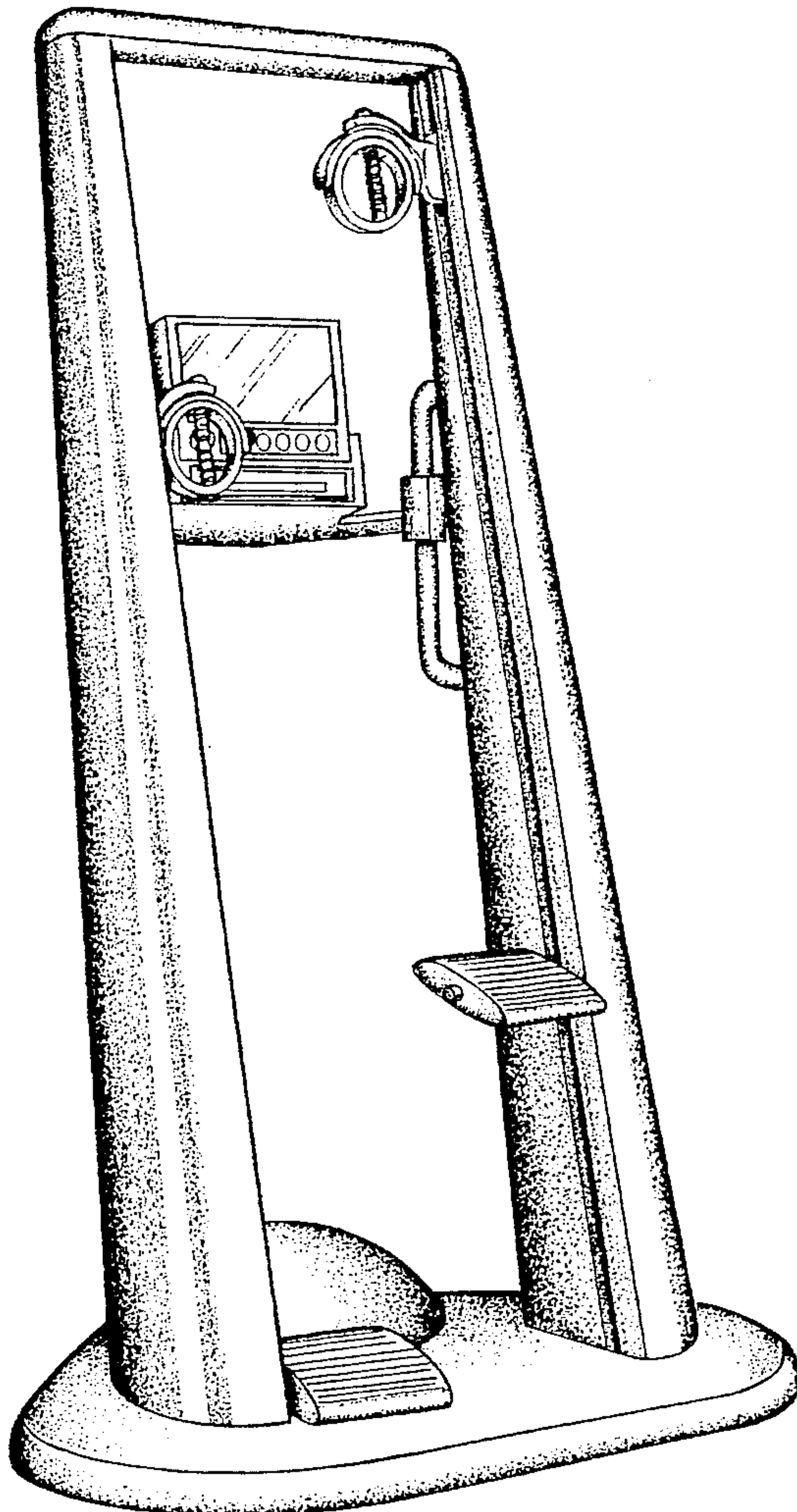
The broken line showing of the person in FIGS. 4 and 5 is for illustrative purposes only and forms no part of the claimed design.

[56] **References Cited**

U.S. PATENT DOCUMENTS

D. 315,937 4/1991 Huggins et al. D21/194
 D. 326,695 6/1992 Evans D21/191
 4,822,029 4/1989 Sarno et al. 482/52
 4,848,737 7/1989 Ehrenfield 482/52
 4,900,012 2/1990 Fu 482/52

1 Claim, 5 Drawing Sheets



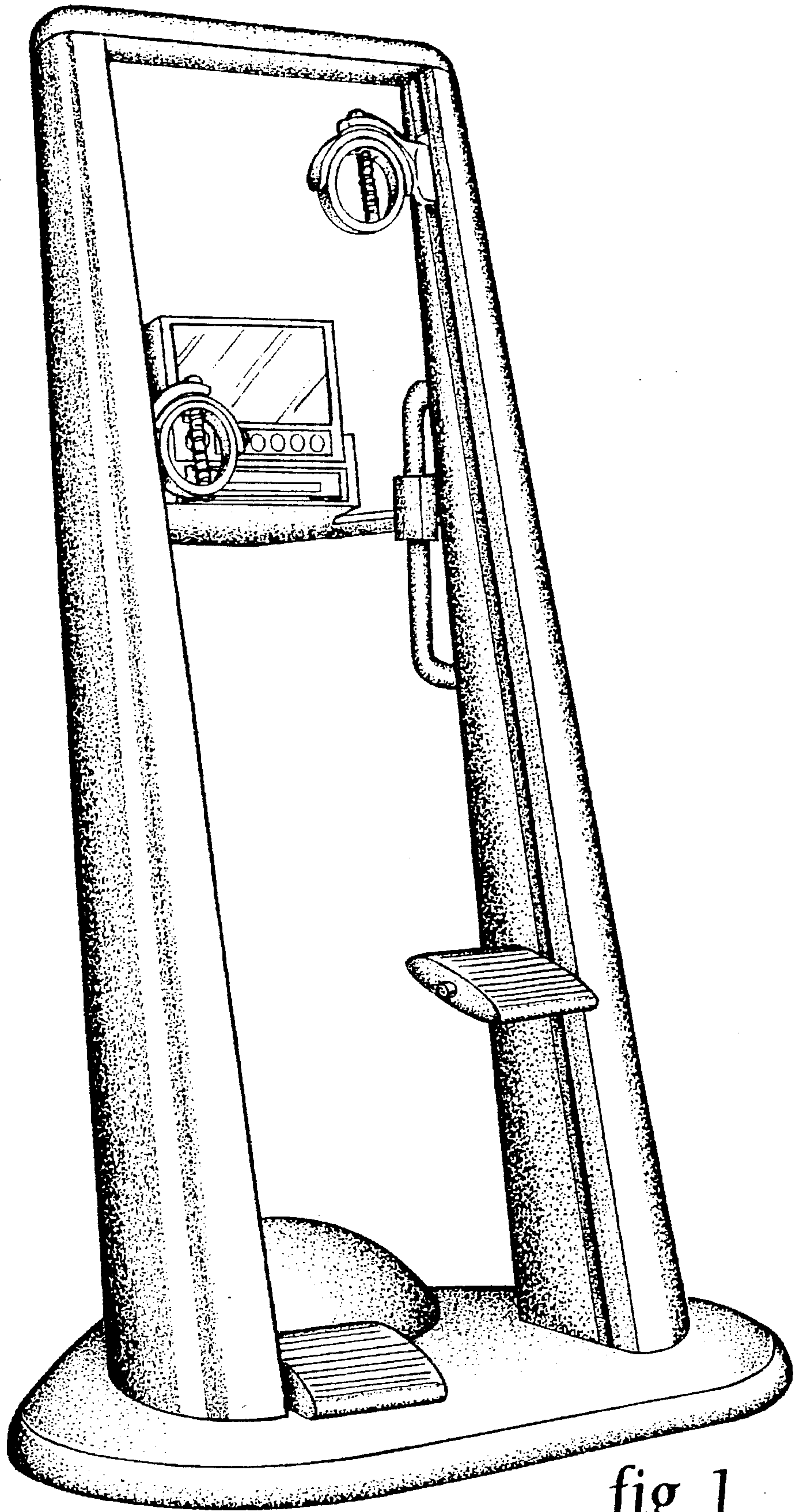


fig. 1

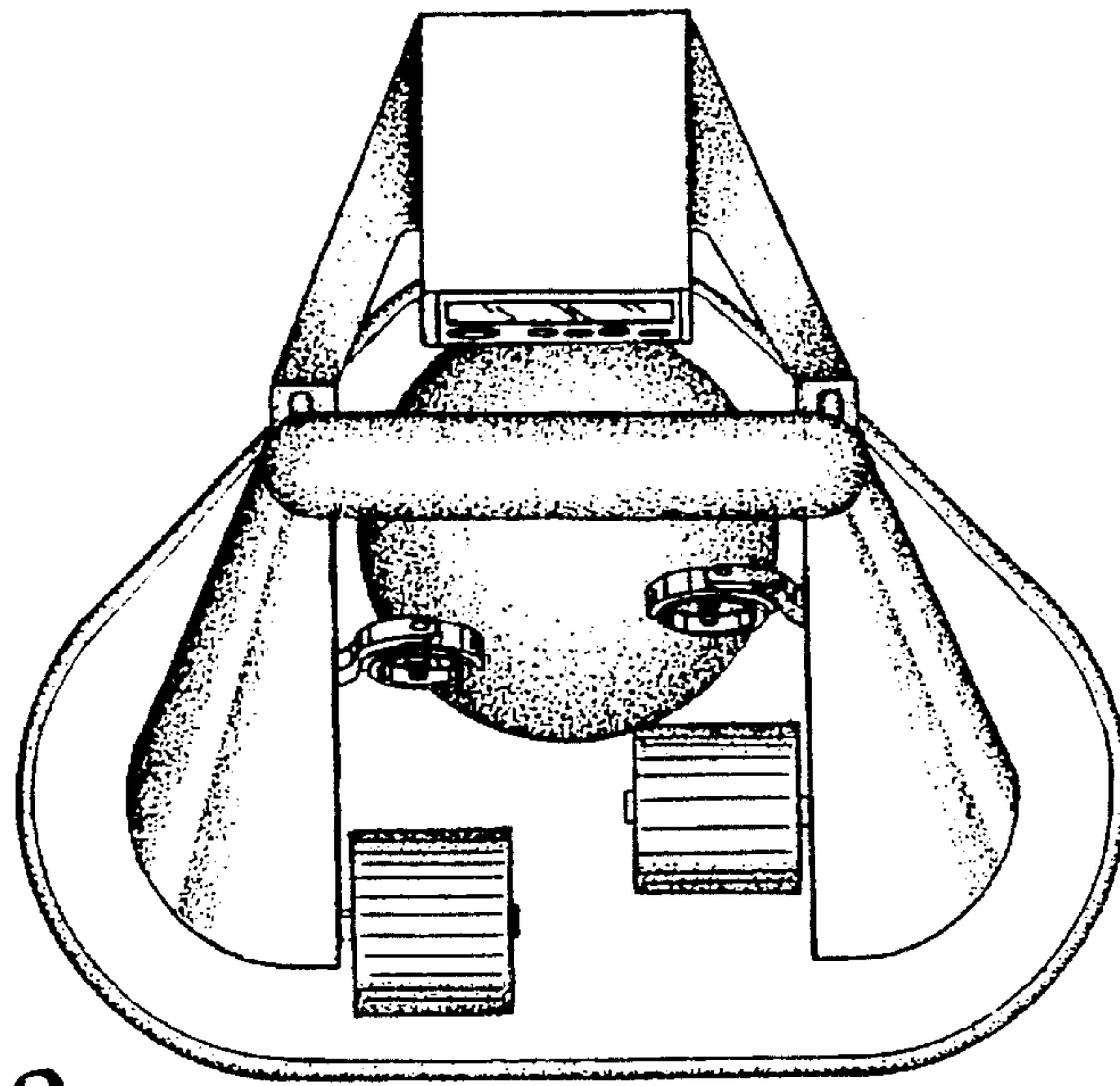


fig. 2

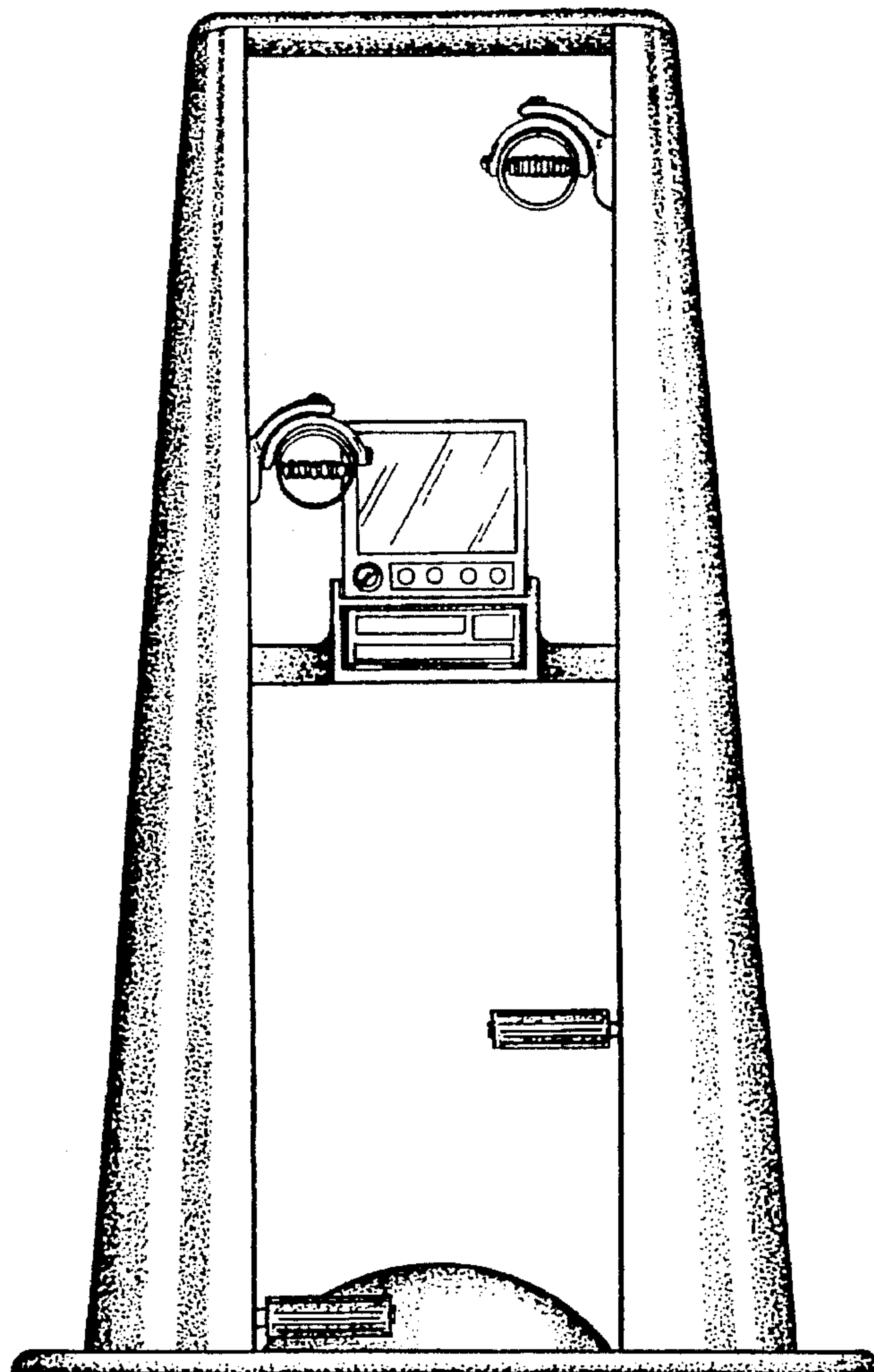


fig. 3

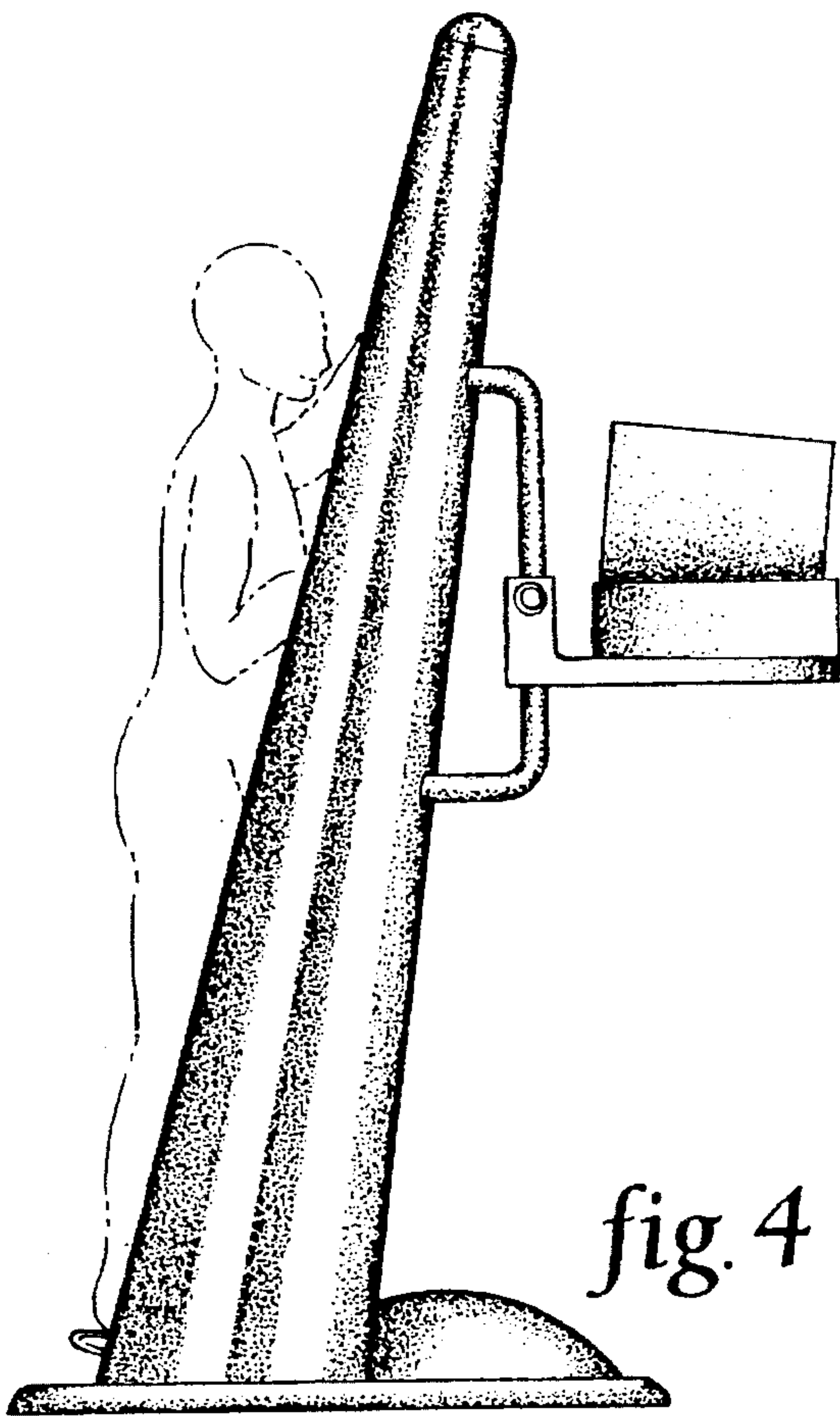


fig. 4

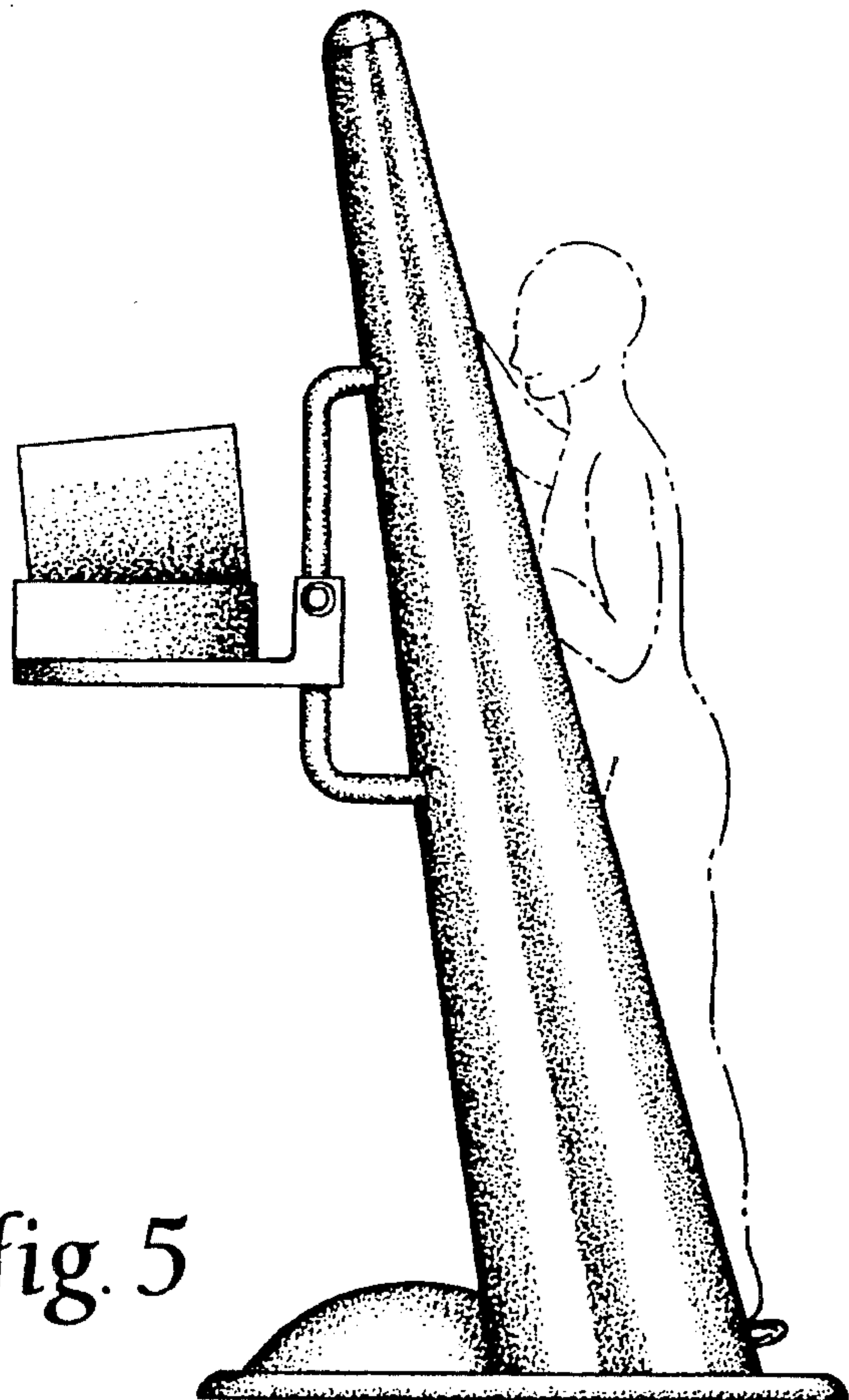


fig. 5

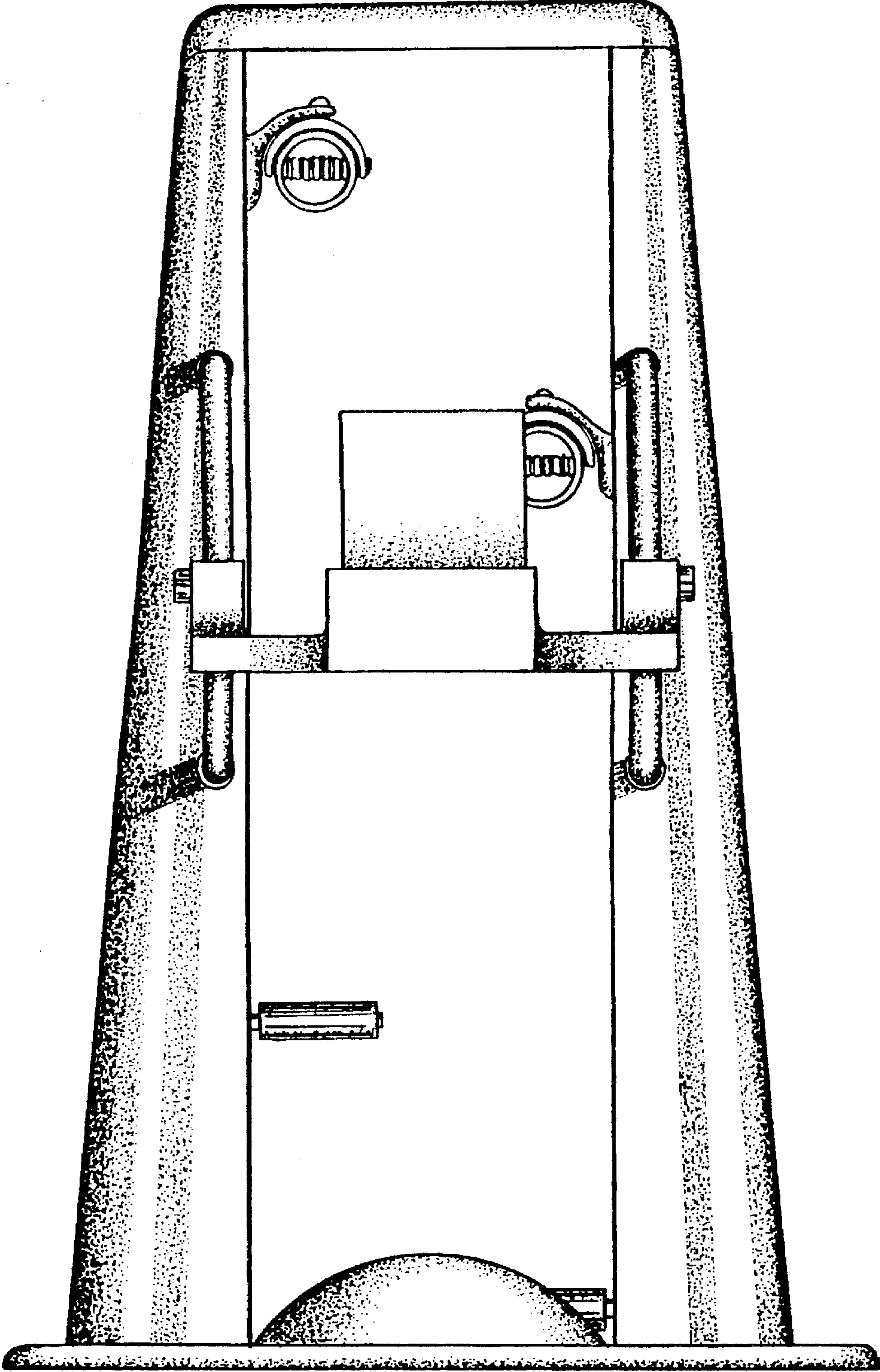


fig. 6

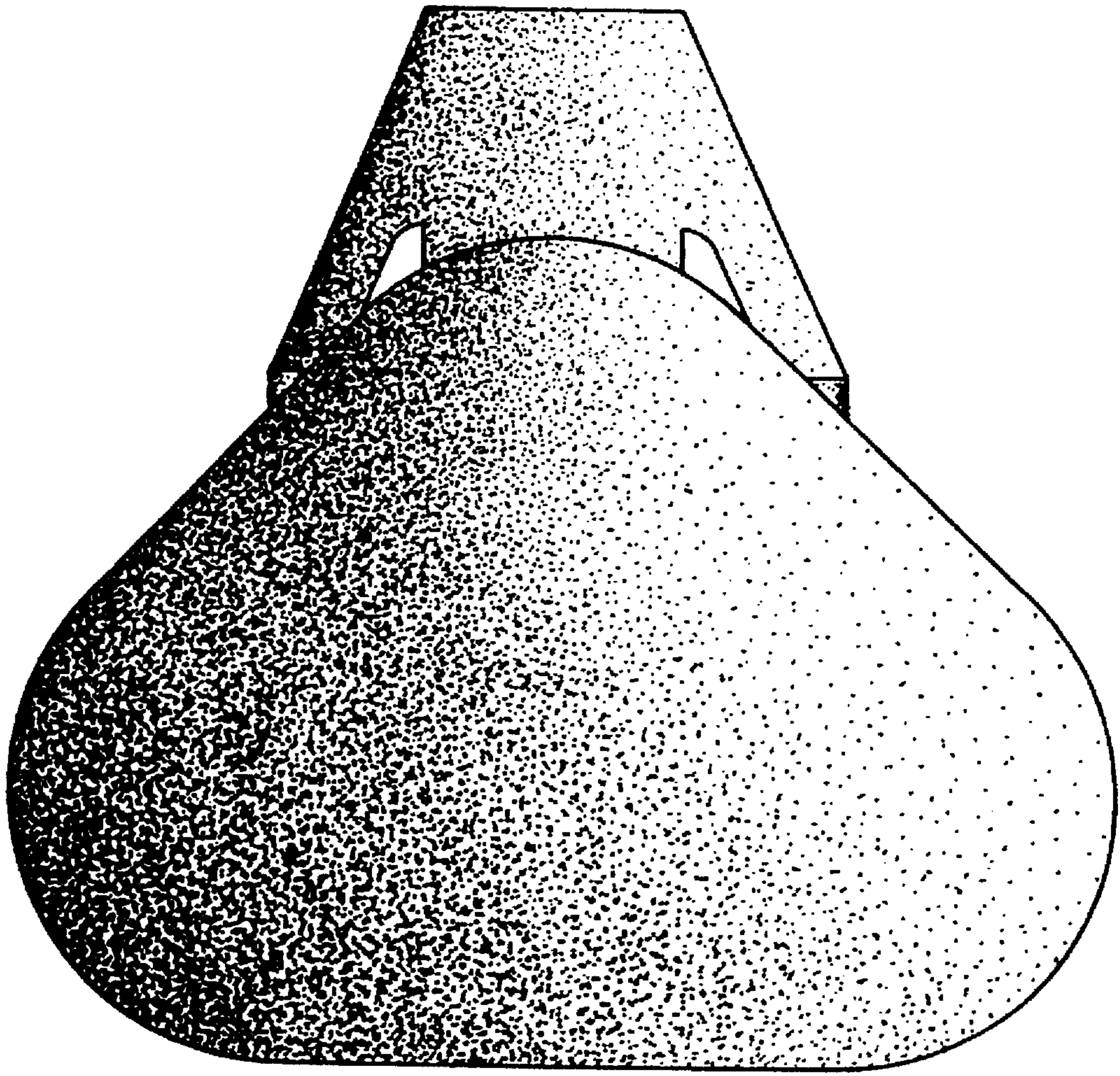


fig. 7