



US00D369385S

United States Patent [19]

[11] Patent Number: **Des. 369,385**

Lapointe

[45] Date of Patent: ****Apr. 30, 1996**

[54] **TAPE DISPENSER**

2,582,979 1/1952 Fritzinger .
3,187,968 6/1965 Favre .

[76] Inventor: **Robin Lapointe**, 223 Springdale, Pointe Claire, PQ H9R 2R4, Canada

Primary Examiner—Martie Thompson
Attorney, Agent, or Firm—Harold H. Dutton, Jr.

[**] Term: **14 Years**

[57] CLAIM

[21] Appl. No.: **30,858**

The ornamental design for a tape dispenser, as shown.

[22] Filed: **Nov. 10, 1994**

DESCRIPTION

[52] U.S. Cl. **D19/69**; D19/67

[58] Field of Search D19/35, 36, 65,
D19/67, 68, 69, 72, 95, 99, 100; D10/72;
225/6, 7, 19, 24, 25, 34, 45, 56, 65, 66,
77, 89; 156/510, 526, 527, 523

FIG. 1 is a side elevational view of a tape dispenser, with lid in the open position, showing my new design;

FIG. 2 is a side elevational view of the side opposite to that shown in FIG. 1 thereof, with the lid in the closed position;

FIG. 3 is a top plan view thereof;

FIG. 4 is a bottom plan view thereof;

FIG. 5 is a front view thereof;

FIG. 6 is a rear view thereof.

[56] References Cited

U.S. PATENT DOCUMENTS

D. 310,687	9/1990	Berracasa	D19/69
D. 319,664	9/1991	De Lucchi	D19/69
D. 355,934	2/1995	Oga et al.	D19/69

1 Claim, 3 Drawing Sheets

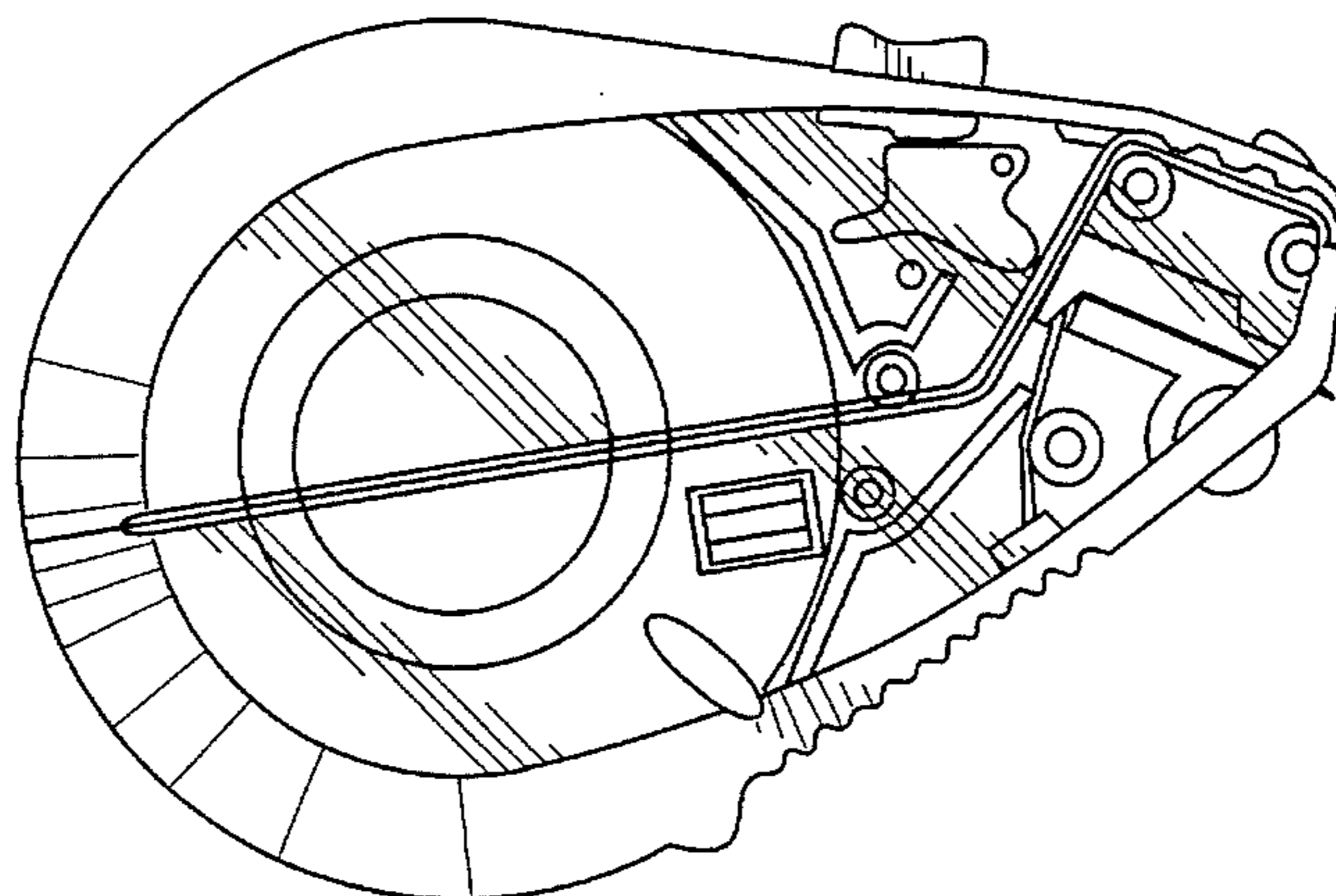
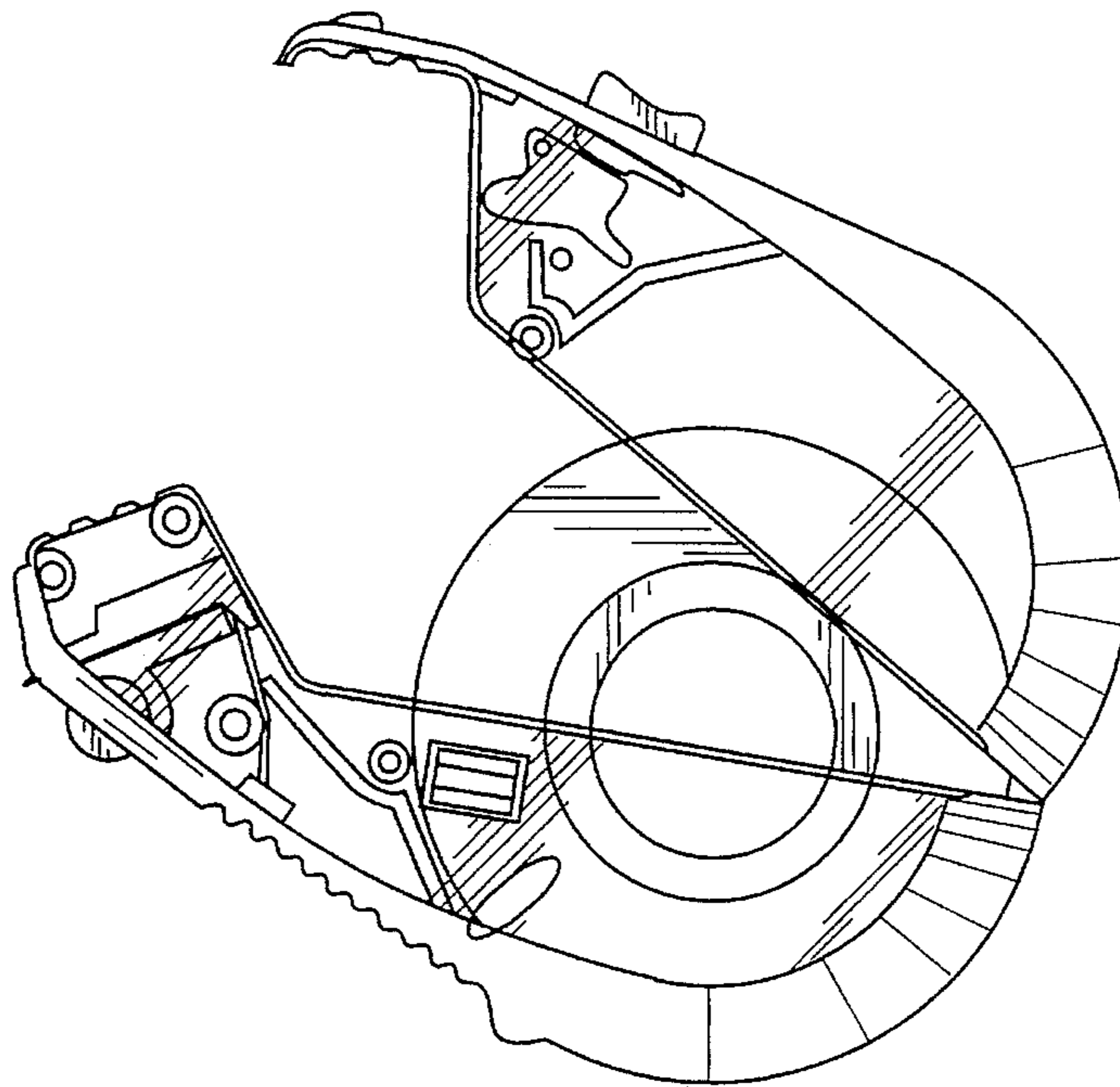


FIG. 1

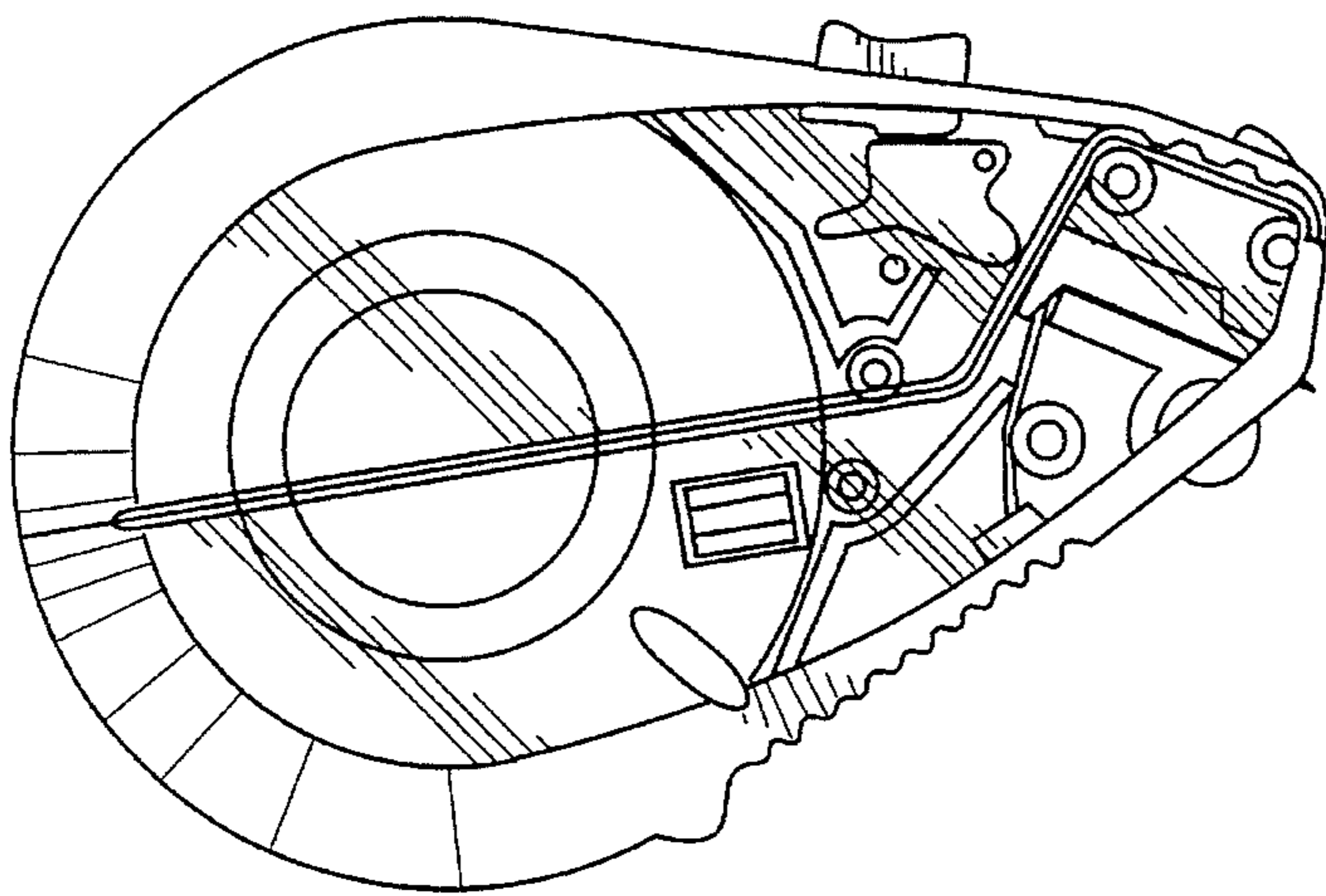
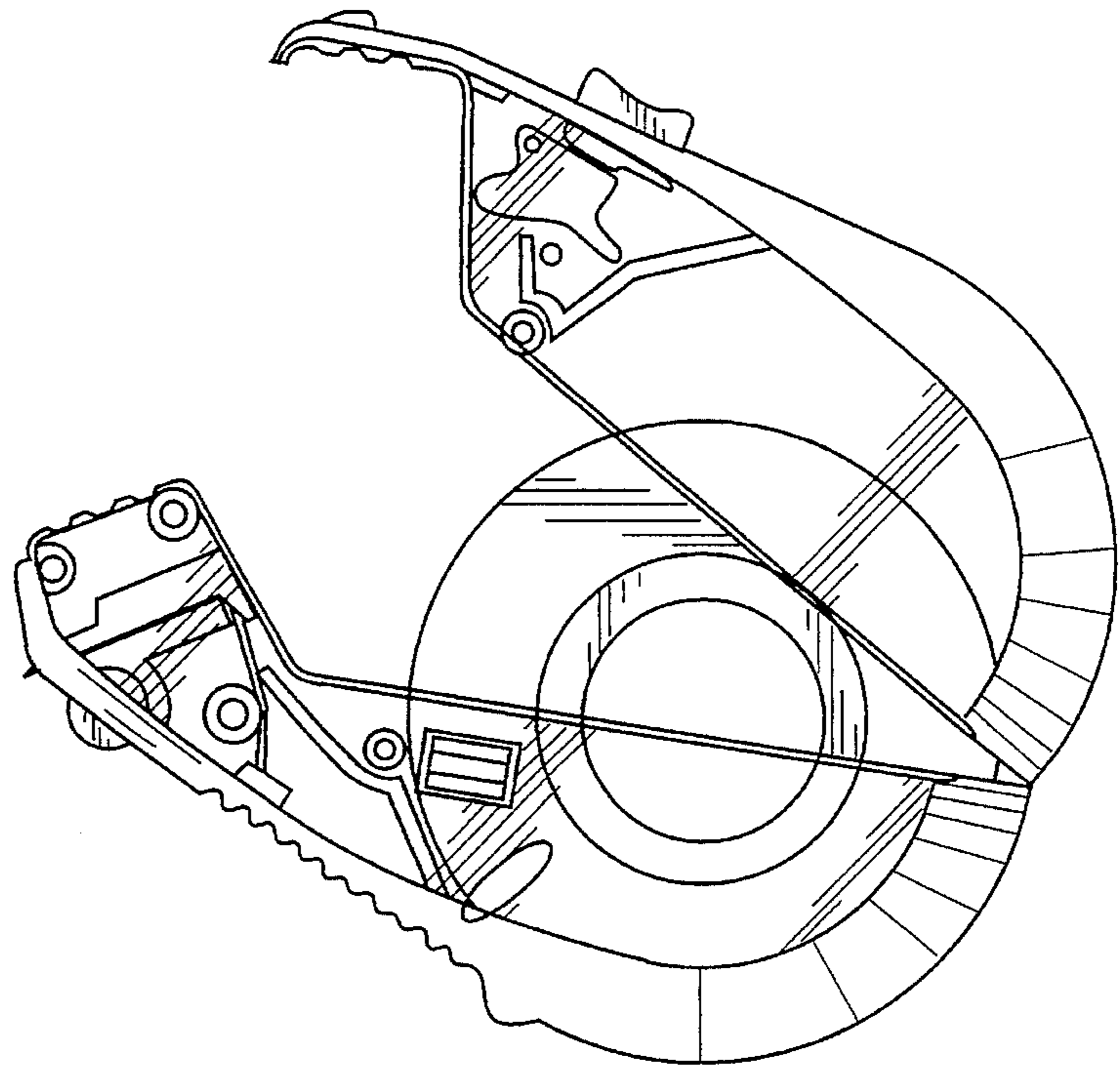


FIG. 2

FIG. 3

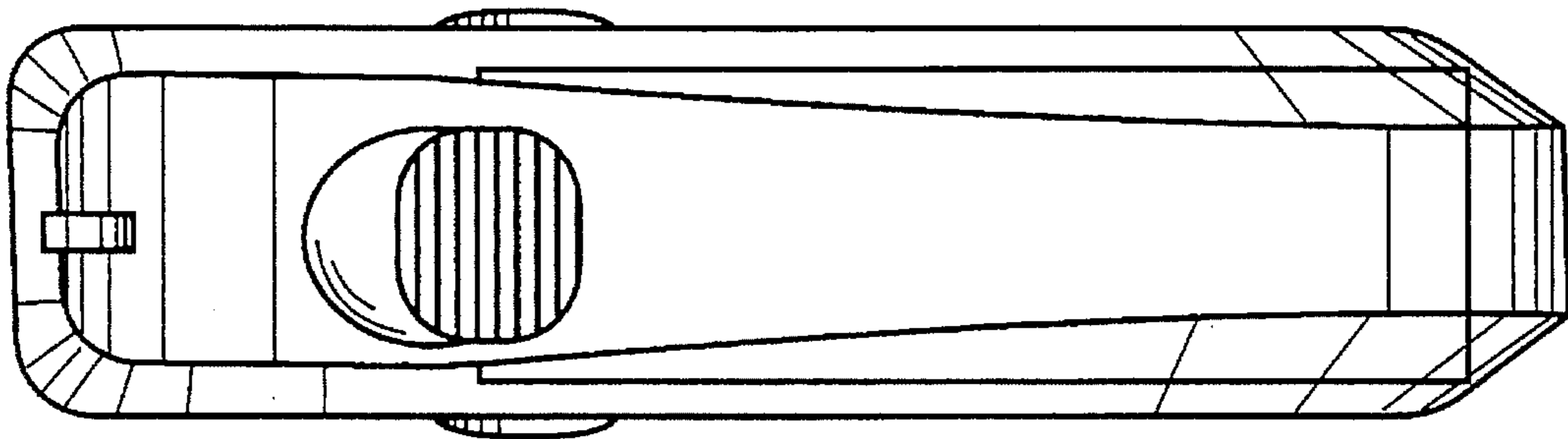
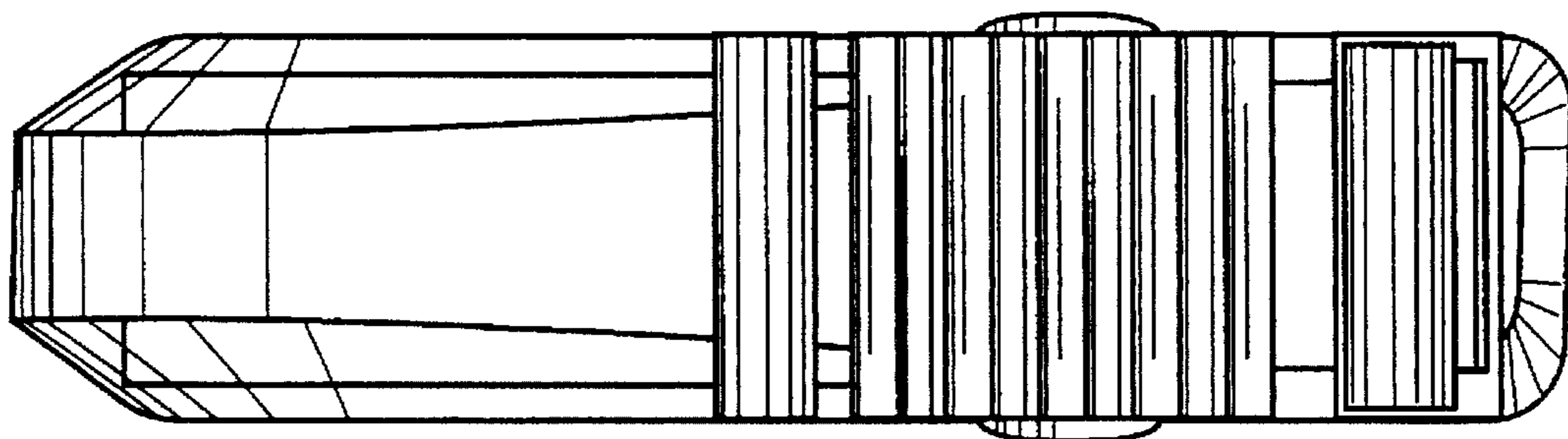


FIG. 4



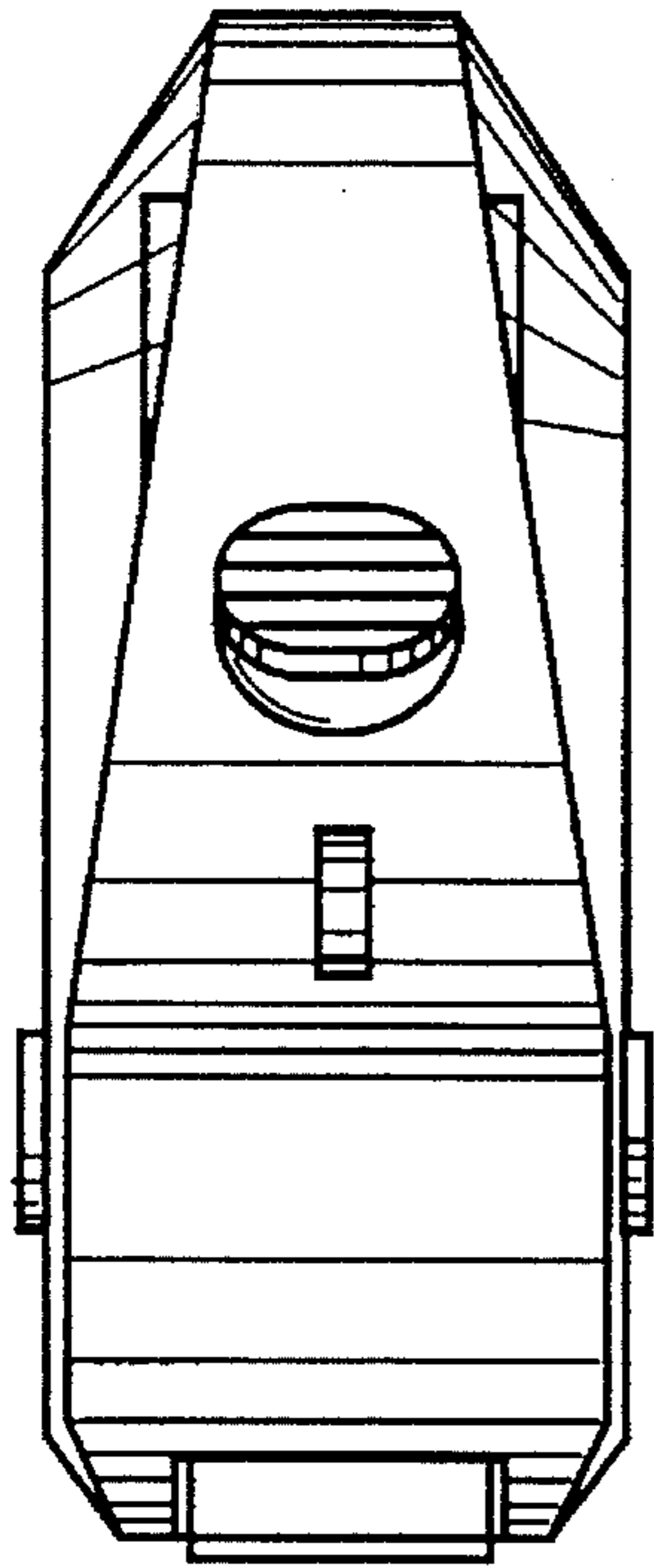


FIG. 5

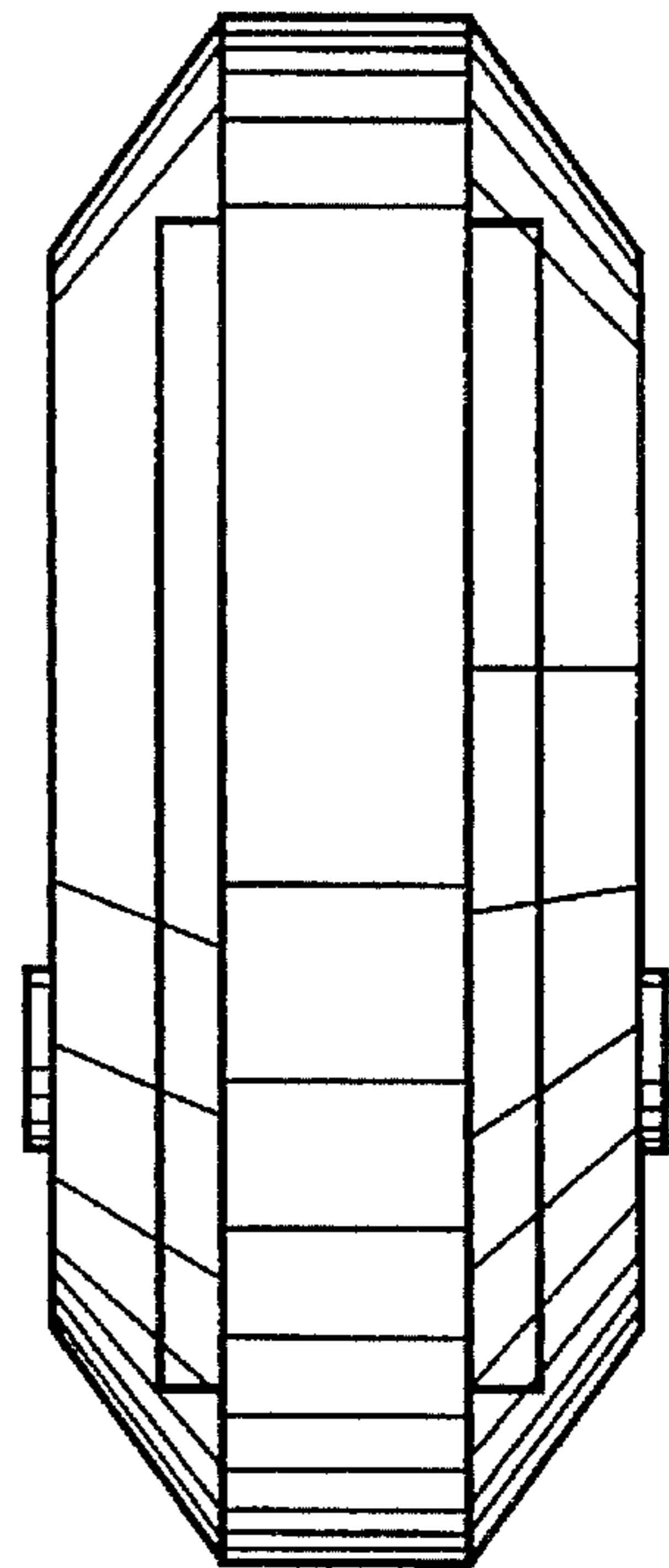


FIG. 6