



US00D369384S

**United States Patent** [19]  
**Yasoshima**

[11] **Patent Number: Des. 369,384**

[45] **Date of Patent: \*\*Apr. 30, 1996**

- [54] **PLURAL-NIBBED MARKING PEN**
- [75] Inventor: **Rira Yasoshima**, Tokyo, Japan
- [73] Assignee: **Tsukineko, Inc.**, Redmond, Wash.
- [\*\*] Term: **14 Years**
- [21] Appl. No.: **39,825**
- [22] Filed: **Jun. 6, 1995**
- [52] U.S. Cl. .... **D19/36; D19/51; D19/57**
- [58] **Field of Search** ..... D19/35, 36, 41-51,  
D19/54-58, 81-85; 401/17, 18, 29-34,  
196, 202, 52, 195

[56] **References Cited**

**U.S. PATENT DOCUMENTS**

D. 179,615	1/1957	Spatz .....	D19/46 X
D. 279,992	8/1985	Gribb .....	D19/43
D. 306,316	2/1990	Shintani .....	D19/36
D. 328,917	8/1992	Shike et al. ....	D19/36
D. 343,196	1/1994	Liguori .....	D19/57
D. 355,933	2/1995	Collins .....	D19/36
4,600,327	7/1986	Guzman .....	401/18
5,338,123	8/1994	Obersteller et al. ....	401/34

*Primary Examiner*—Martie Thompson  
*Attorney, Agent, or Firm*—Seed and Berry

[57] **CLAIM**

The ornamental design for a plural-nibbed marking pen, as shown and described.

**DESCRIPTION**

FIG. 1 is a perspective view of a plural-nibbed marking pen

showing my new design;

FIG. 2 is a perspective view of the end opposite that shown in FIG. 1;

FIG. 3 is a side elevational view, the opposite side being identical thereto;

FIG. 4 is a side elevational view rotated 90 degrees from that shown in FIG. 3, the opposite side being identical thereto;

FIG. 5 is a typical side elevational view thereof with the cap members removed for convenience of illustration;

FIG. 6 is a side elevational view of a second embodiment of my new design with the cap members removed for convenience of illustration, the opposite side being identical thereto;

FIG. 7 is a side elevational view of FIG. 6, rotated 90 degrees from that shown in FIG. 6;

FIG. 8 is a top plan view of FIG. 1;

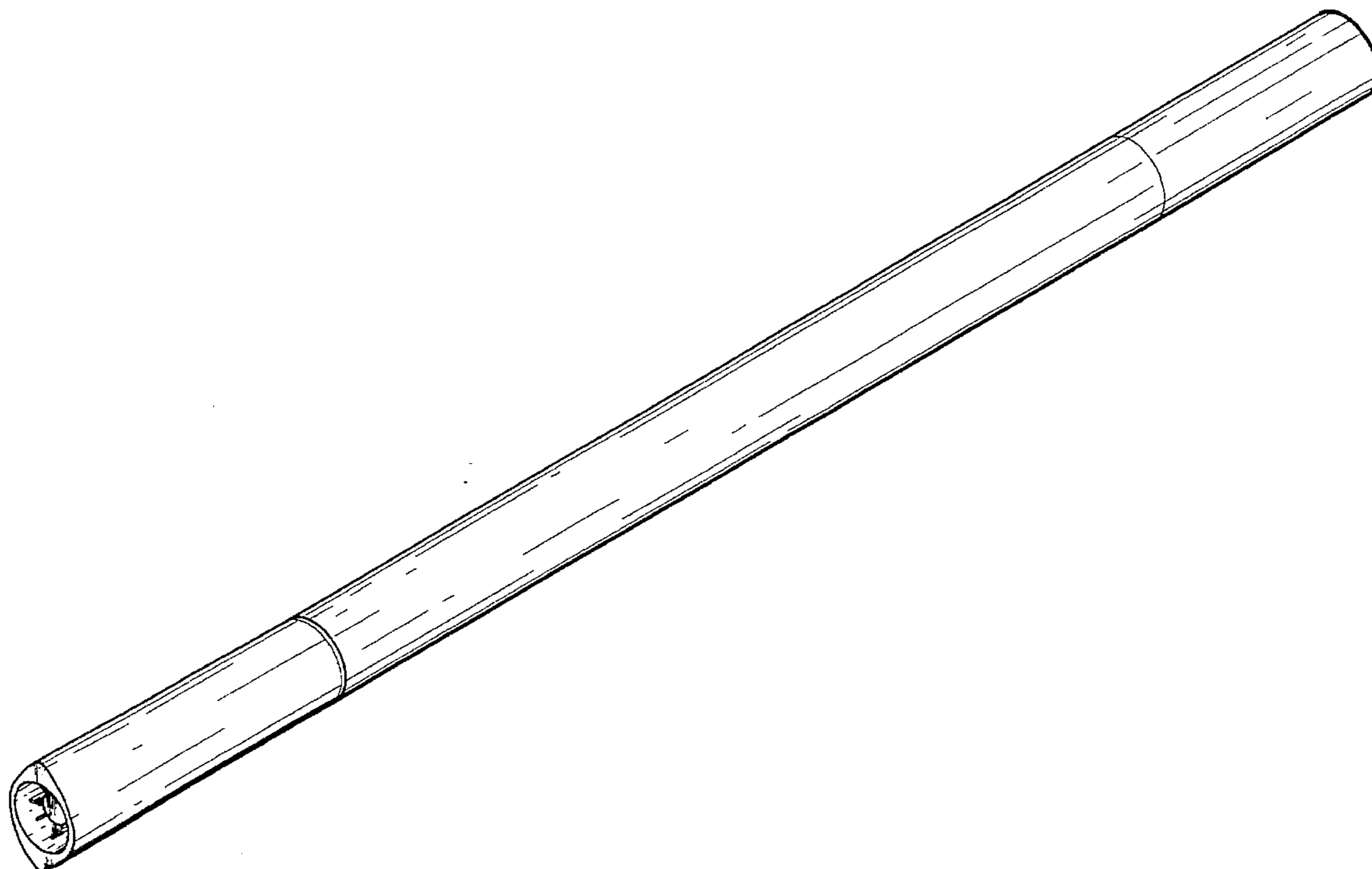
FIG. 9 is a bottom plan view of FIG. 1;

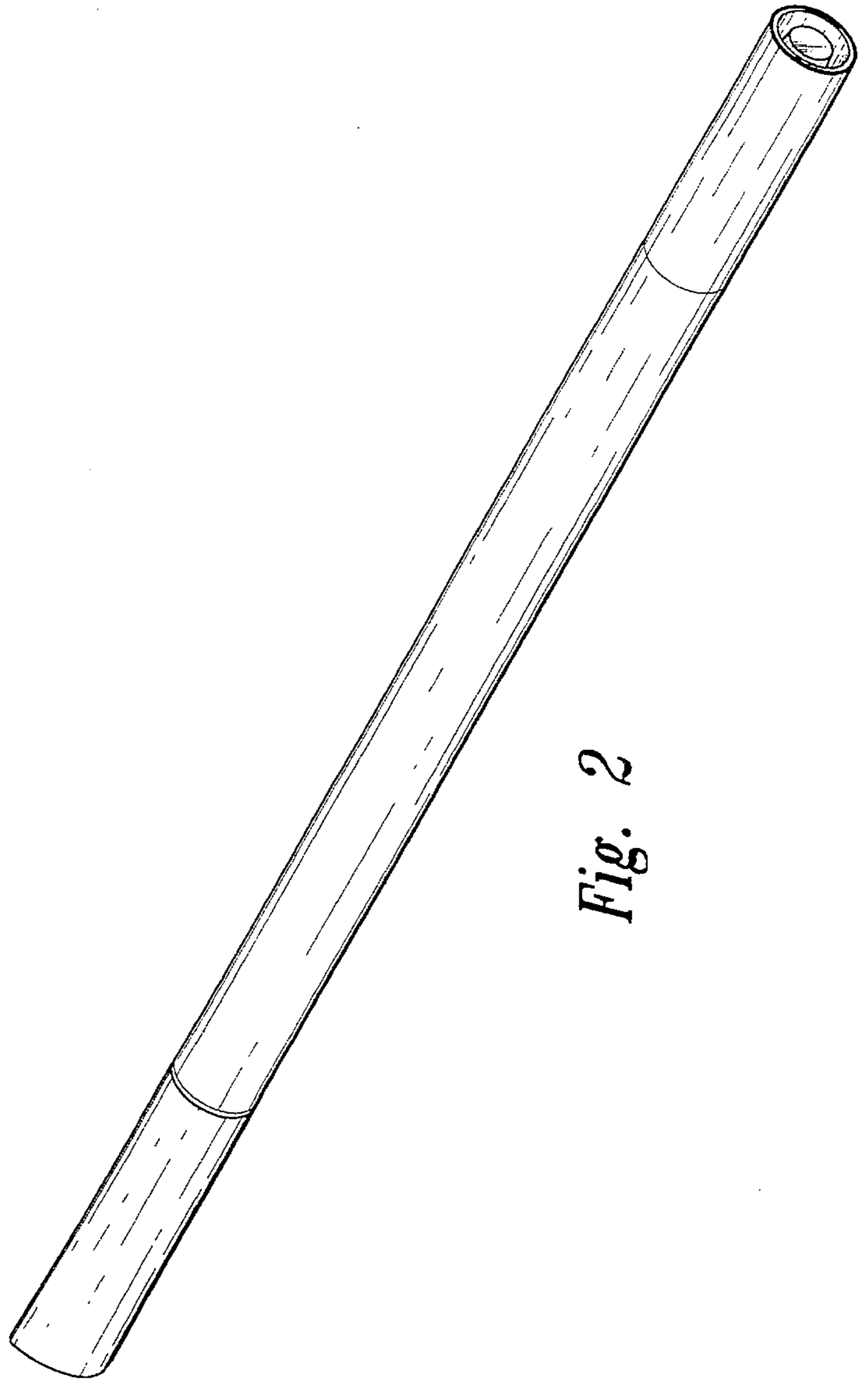
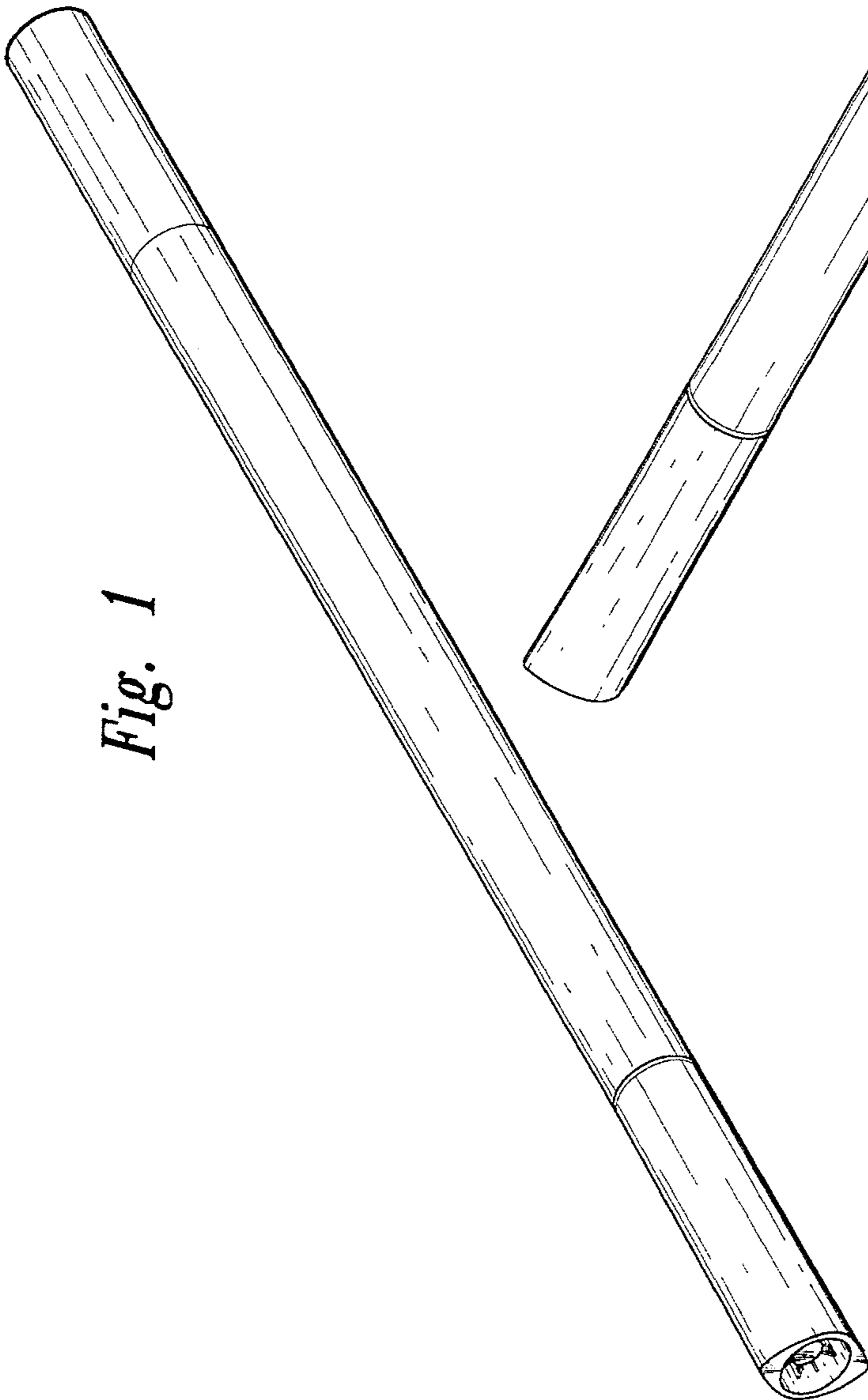
FIG. 10 is a top plan view of FIG. 5;

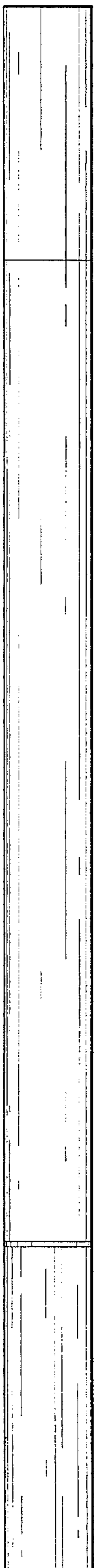
FIG. 11 is a top plan view of FIG. 6; and,

FIG. 12 is a bottom plan view of FIG. 1 with the bottom end cap removed for convenience of illustration.

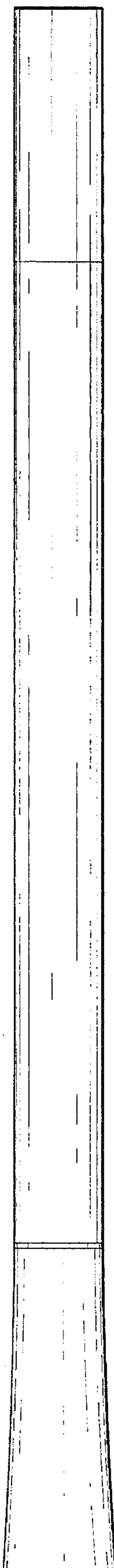
**1 Claim, 3 Drawing Sheets**



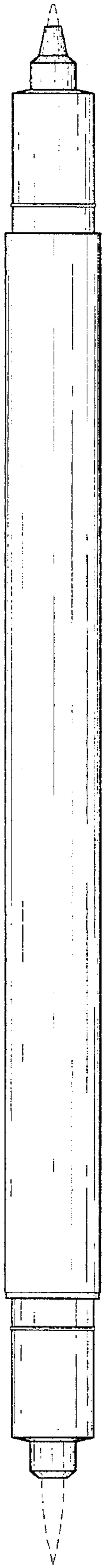




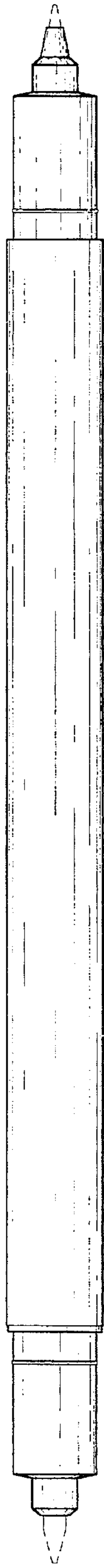
*Fig. 3*



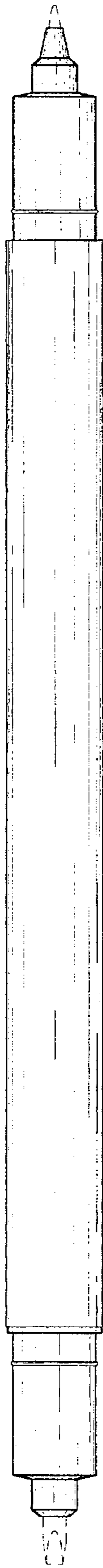
*Fig. 4*



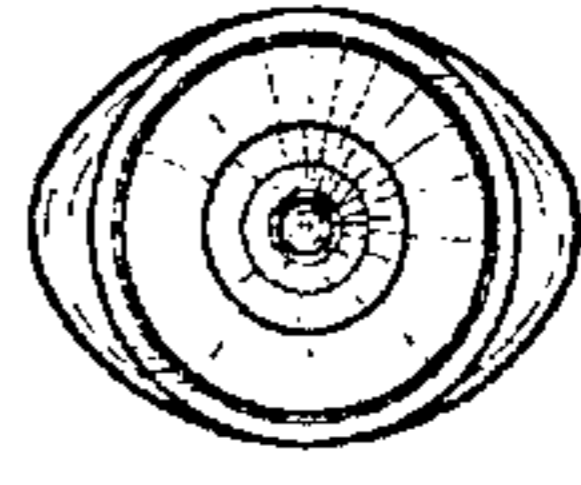
*Fig. 5*



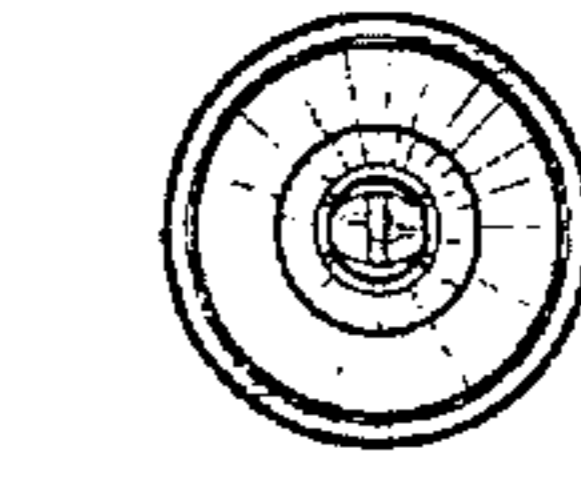
*Fig. 6*



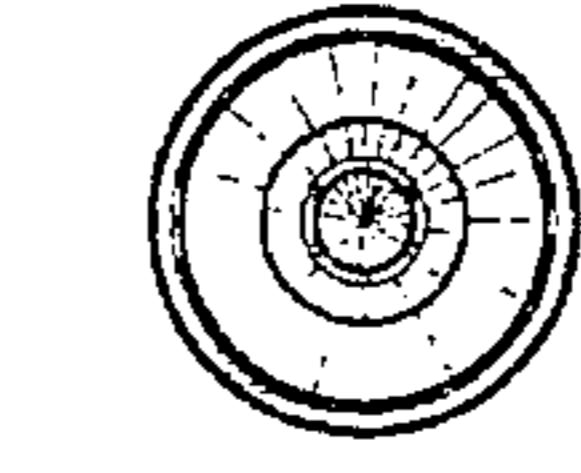
*Fig. 7*



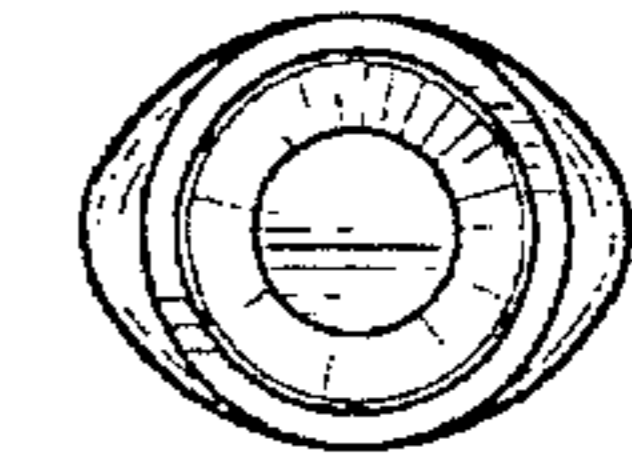
*Fig. 8*



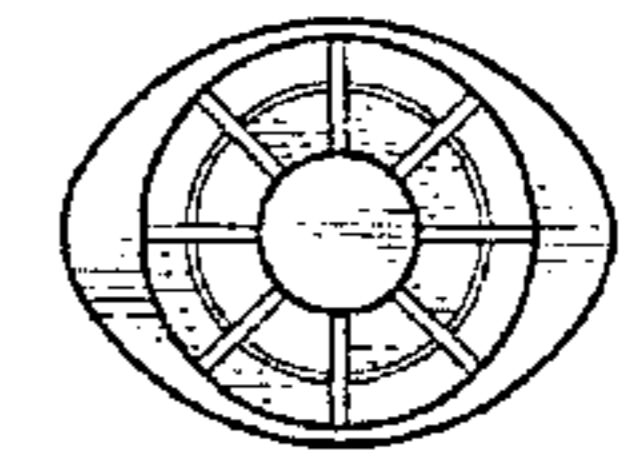
*Fig. 9*



*Fig. 10*



*Fig. 11*



*Fig. 12*