



US00D369381S

# United States Patent [19]

Gotham et al.

[11] Patent Number: **Des. 369,381**

[45] Date of Patent: **\*\*Apr. 30, 1996**

[54] **COMPUTER OUTPUT MICROFILM PRINTER**

5,017,032 5/1991 Green ..... 400/693

### OTHER PUBLICATIONS

[75] Inventors: **David R. Gotham; Ilija N. Bucukovski**, both of Rochester; **Eric Tyler**, Pittsford, all of N.Y.

Pennant Systems brochure for 6252 Impactwriter Printer.  
Xerox 4650 Printing System brochure.  
Xerox 1035 Marathon Copier brochure; Jul. 1984.  
Kodak Optistar Image Writer, Eastman Kodak Company, 1991.  
Kodak Komstar Microimage Processor IV/Kodak Optistar Autotouch Finisher, Eastman Kodak Company, 1989.  
Kodak Optistar Data System, Eastman Kodak Company, 1989.

[73] Assignee: **Eastman Kodak Company**, Rochester, N.Y.

[\*\*] Term: **14 Years**

*Primary Examiner*—Cathy Anne MacCormac  
*Attorney, Agent, or Firm*—Thomas H. Close

[21] Appl. No.: **21,857**

[22] Filed: **Apr. 25, 1994**

[52] U.S. Cl. .... **D18/53**

[58] Field of Search ..... D18/36-39, 50,  
D18/53; 400/691, 693; 355/200, 210, 202;  
101/76, 217; 347/263, 170, 29, 145; D14/107,  
102

### [57] CLAIM

The ornamental design for a computer output microfilm printer, as shown and described.

### [56] References Cited

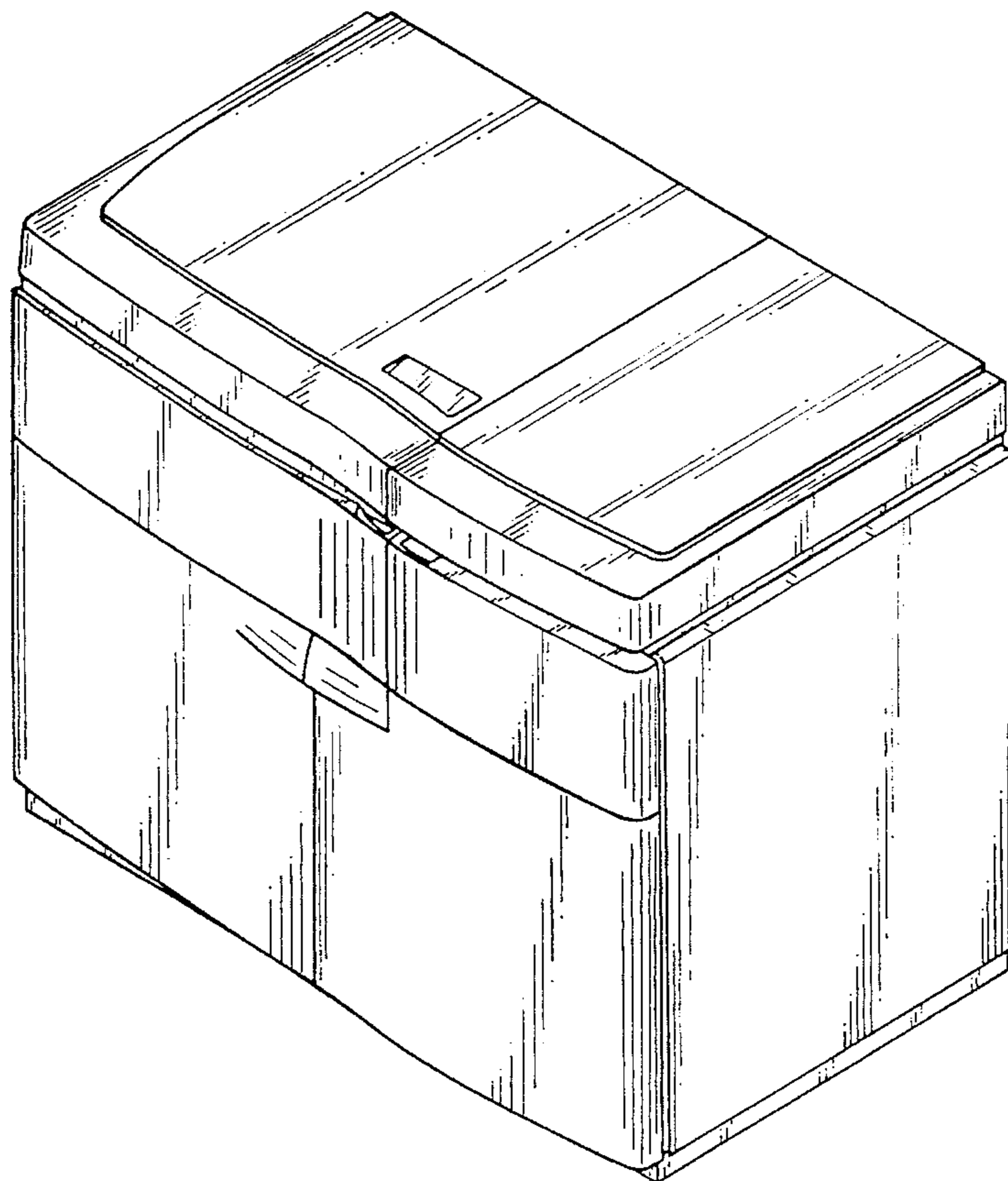
### DESCRIPTION

#### U.S. PATENT DOCUMENTS

D. 195,203	5/1963	Bozarth .....	D18/53
D. 214,319	6/1969	Smith et al. ....	D14/108
D. 224,807	9/1972	Fitzgerald .....	D18/39
D. 232,480	8/1974	Laughon .....	D18/39
D. 263,844	4/1982	Sakurai .....	D18/38
D. 338,226	8/1993	Yamamoto .....	D18/39
D. 350,767	9/1994	Kojima et al. ....	D18/39
3,046,877	7/1962	Janke .....	101/76
4,549,077	10/1985	Kataoka .....	D18/36

FIG. 1 is a top-front perspective view;  
FIG. 2 is a front view;  
FIG. 3 is a right side view;  
FIG. 4 is a left side view;  
FIG. 5 is a rear view;  
FIG. 6 is a top view;  
FIG. 7 is a bottom view; and,  
FIG. 8 is a bottom-front-right perspective view.

**1 Claim, 8 Drawing Sheets**



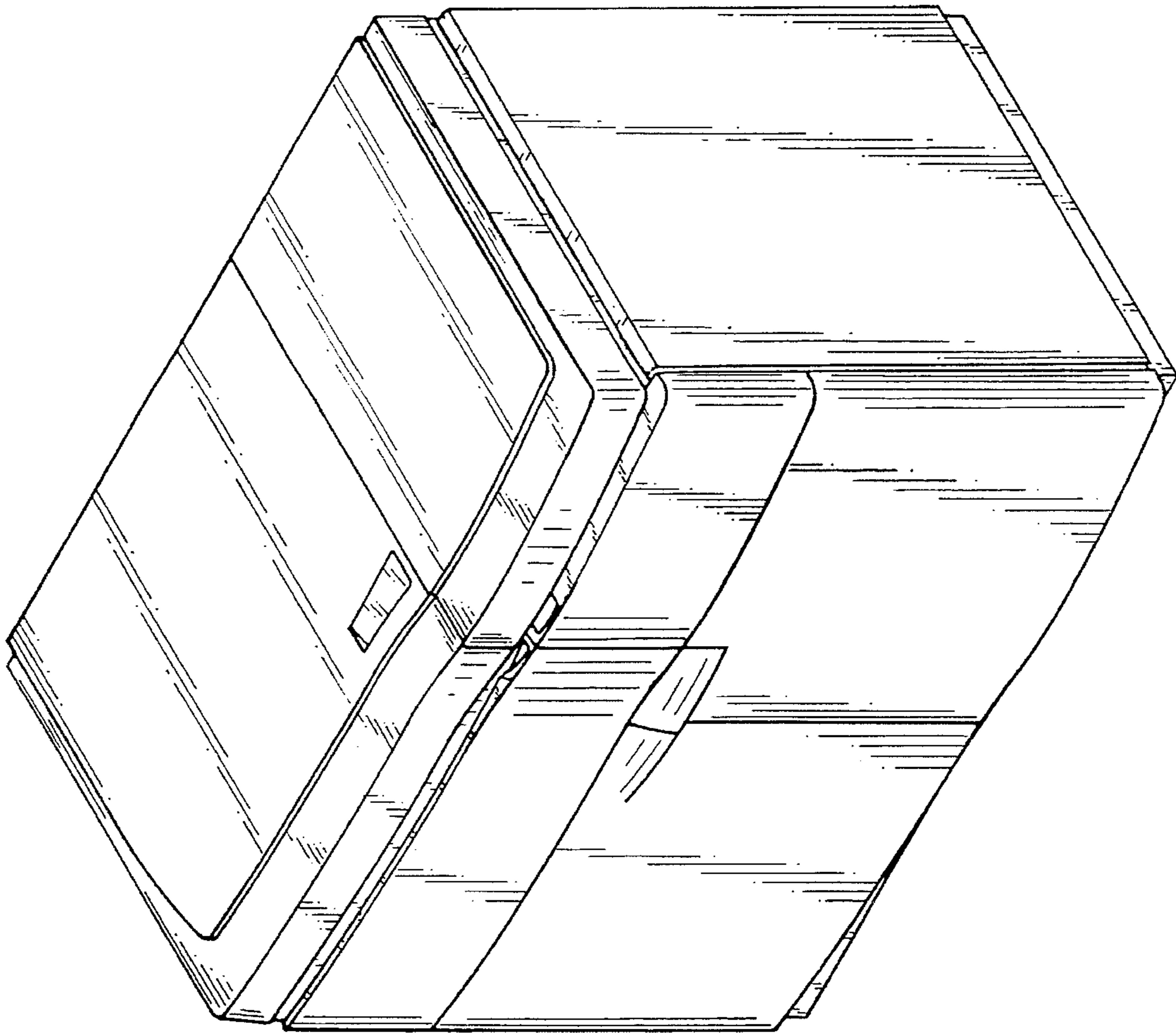


FIG. 1

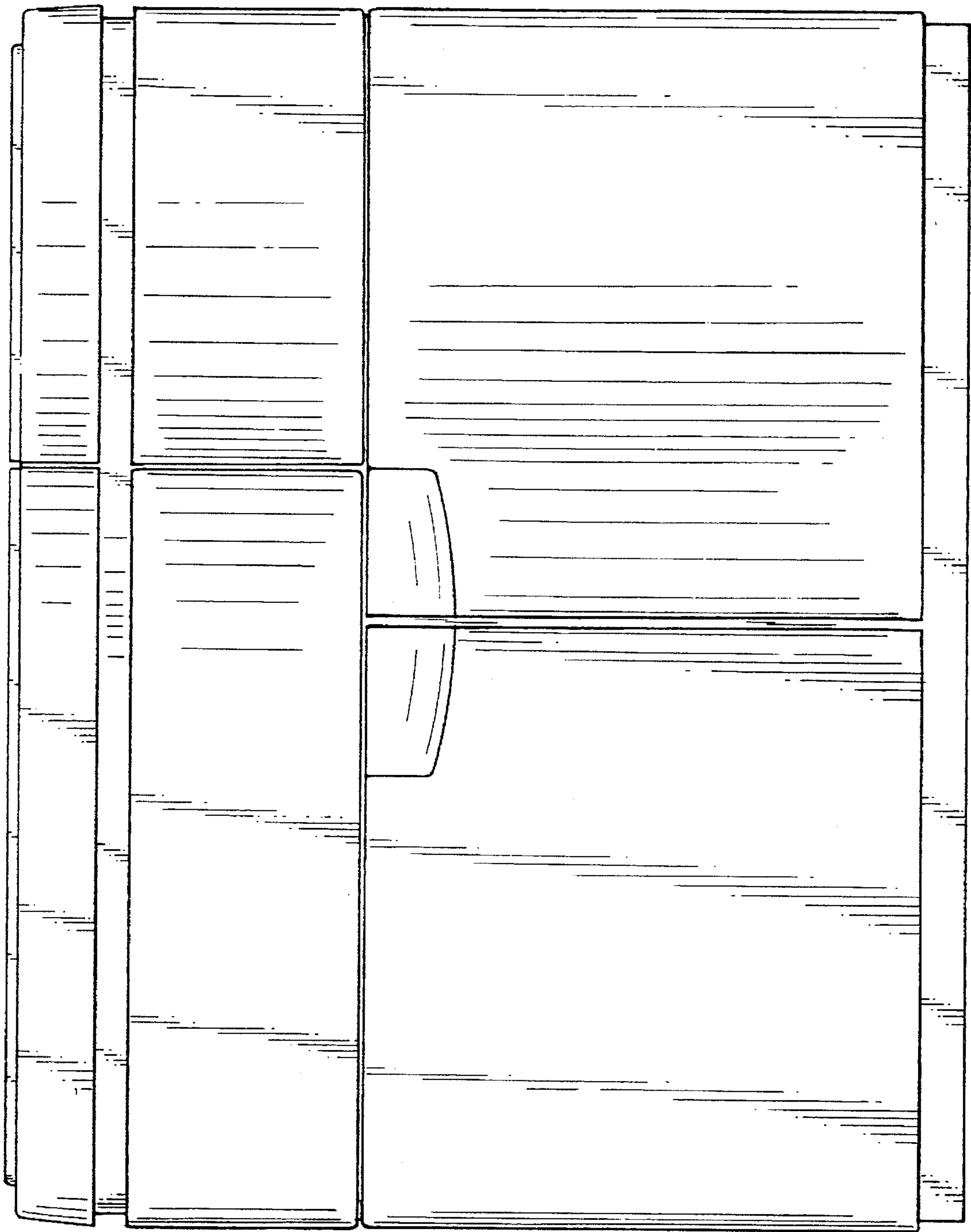
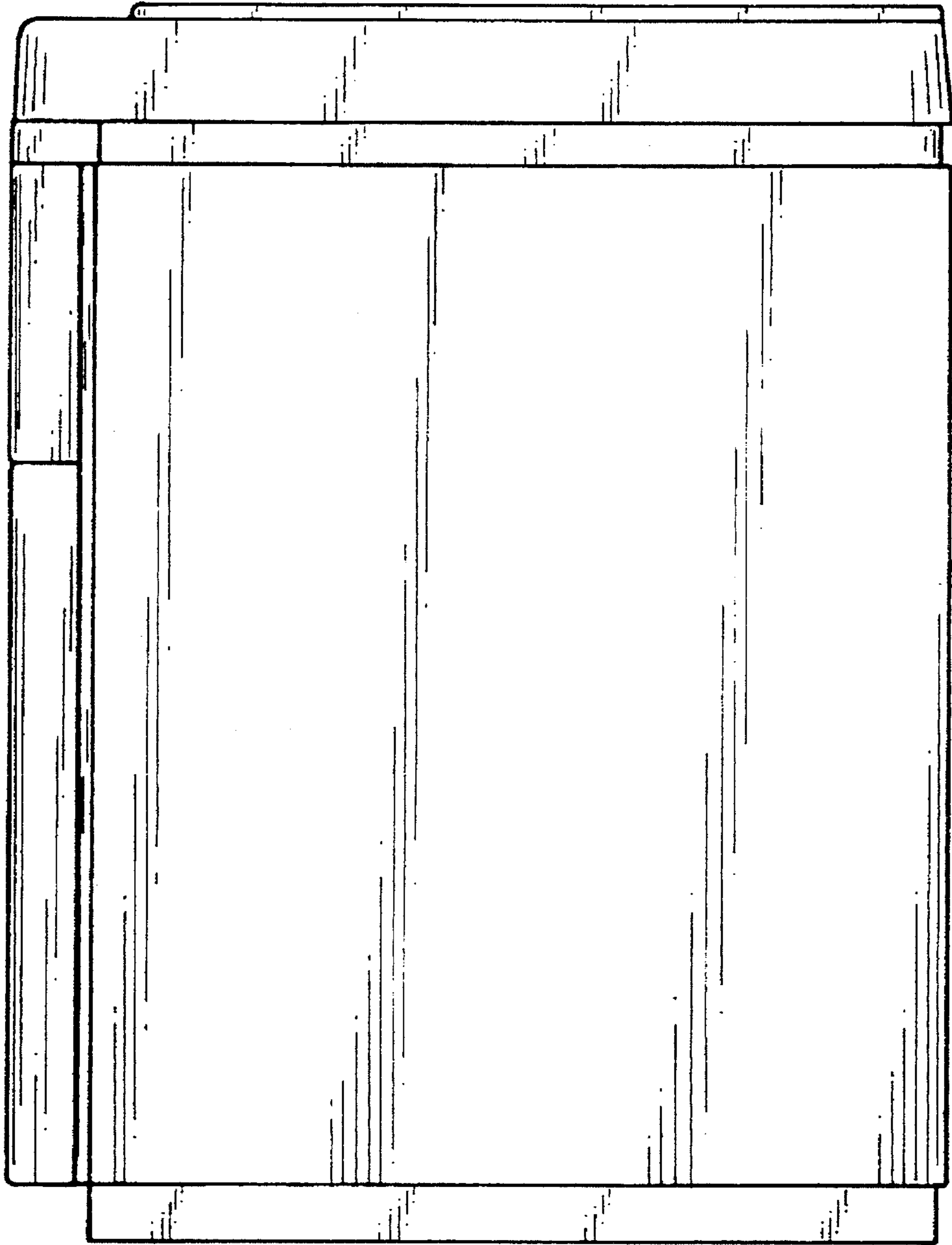
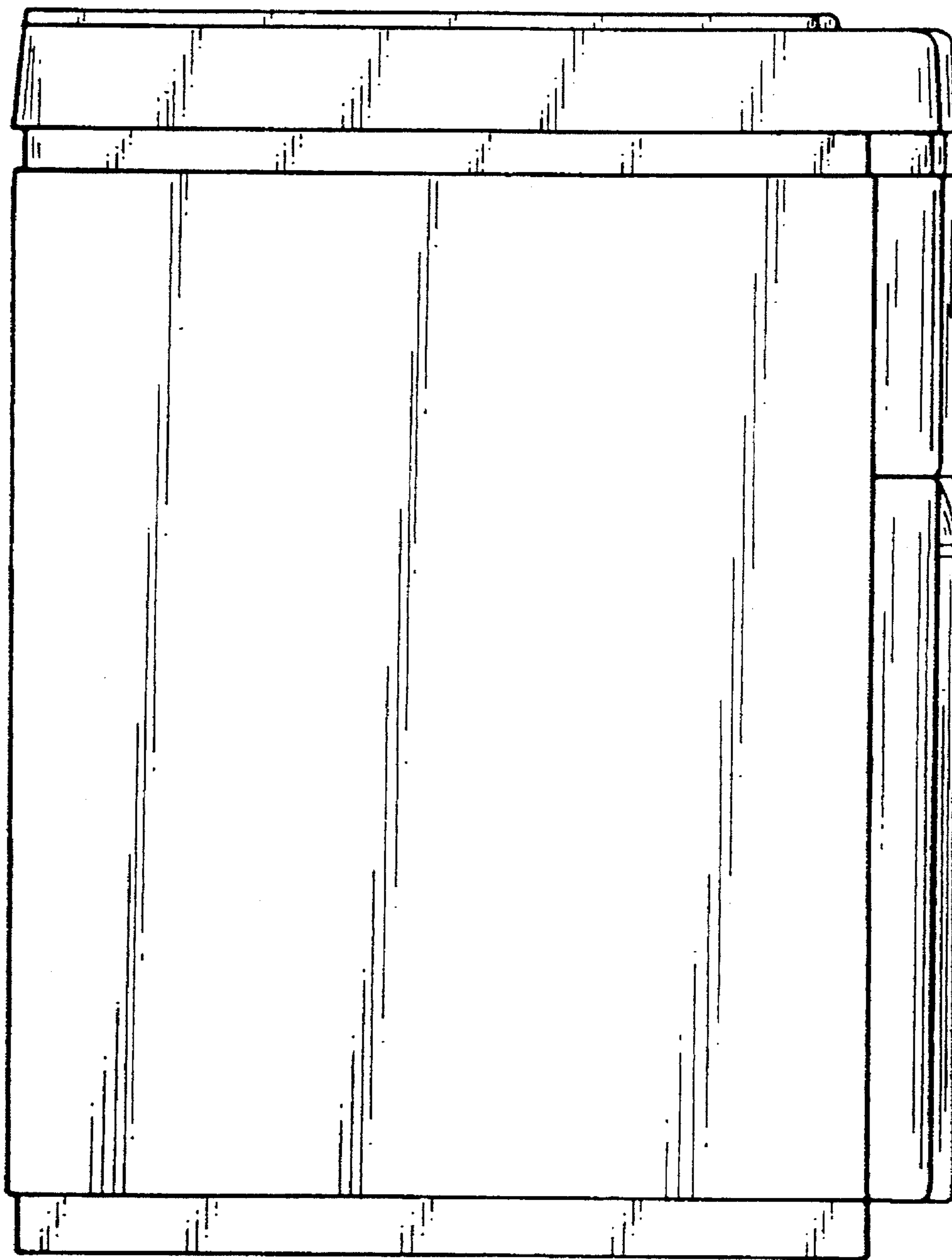


FIG. 2



*FIG. 3*



*FIG. 4*

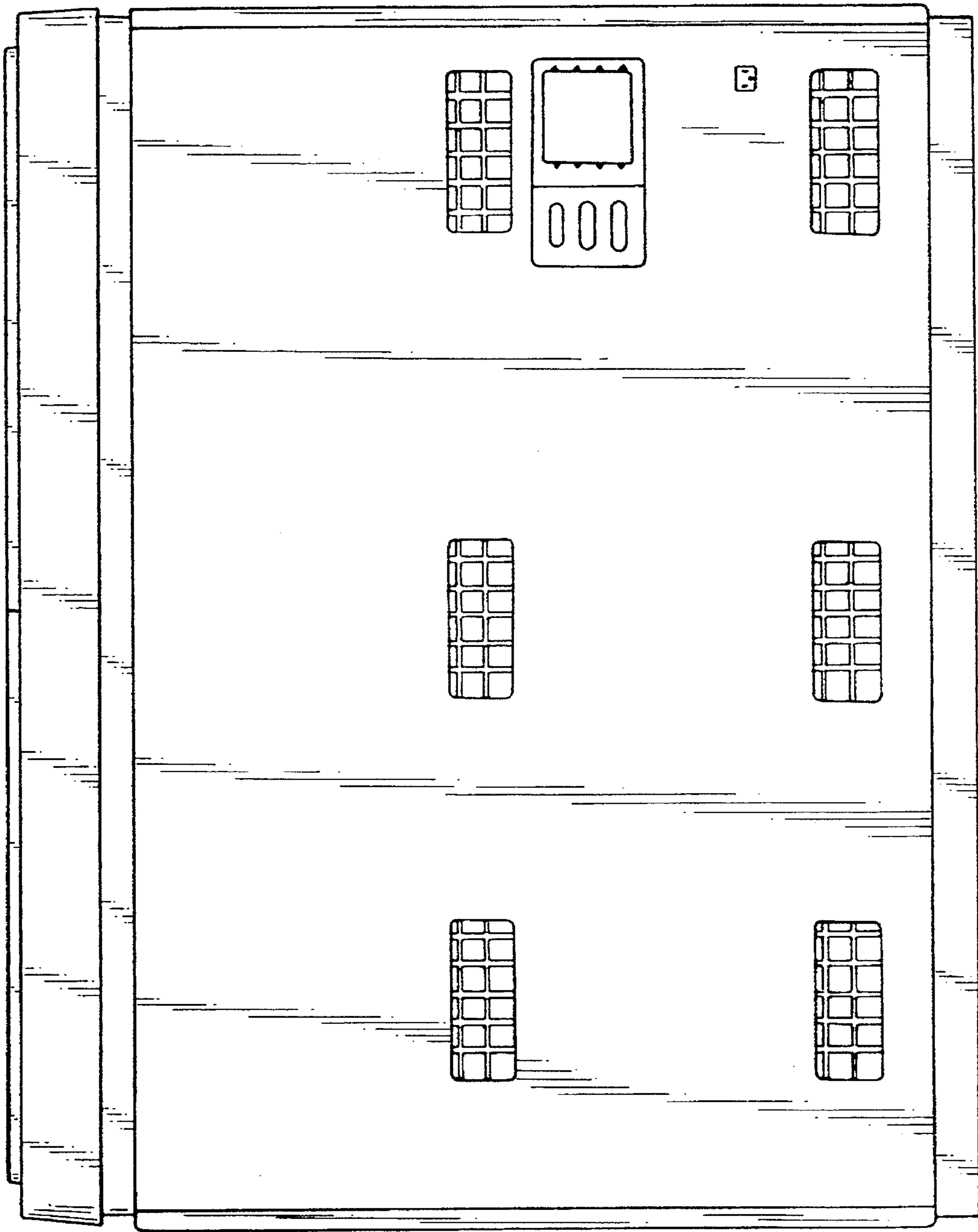


FIG. 5

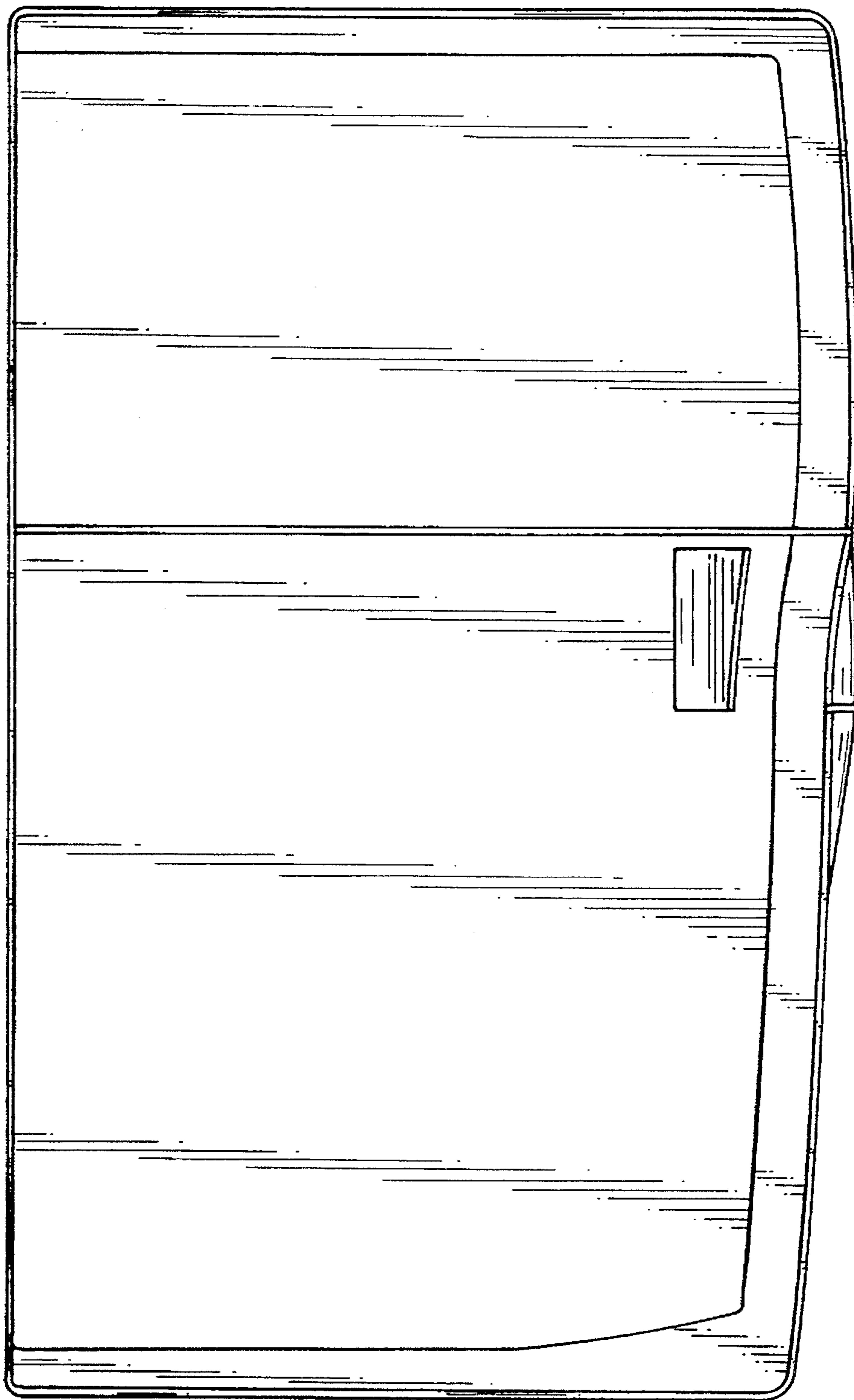


FIG. 6

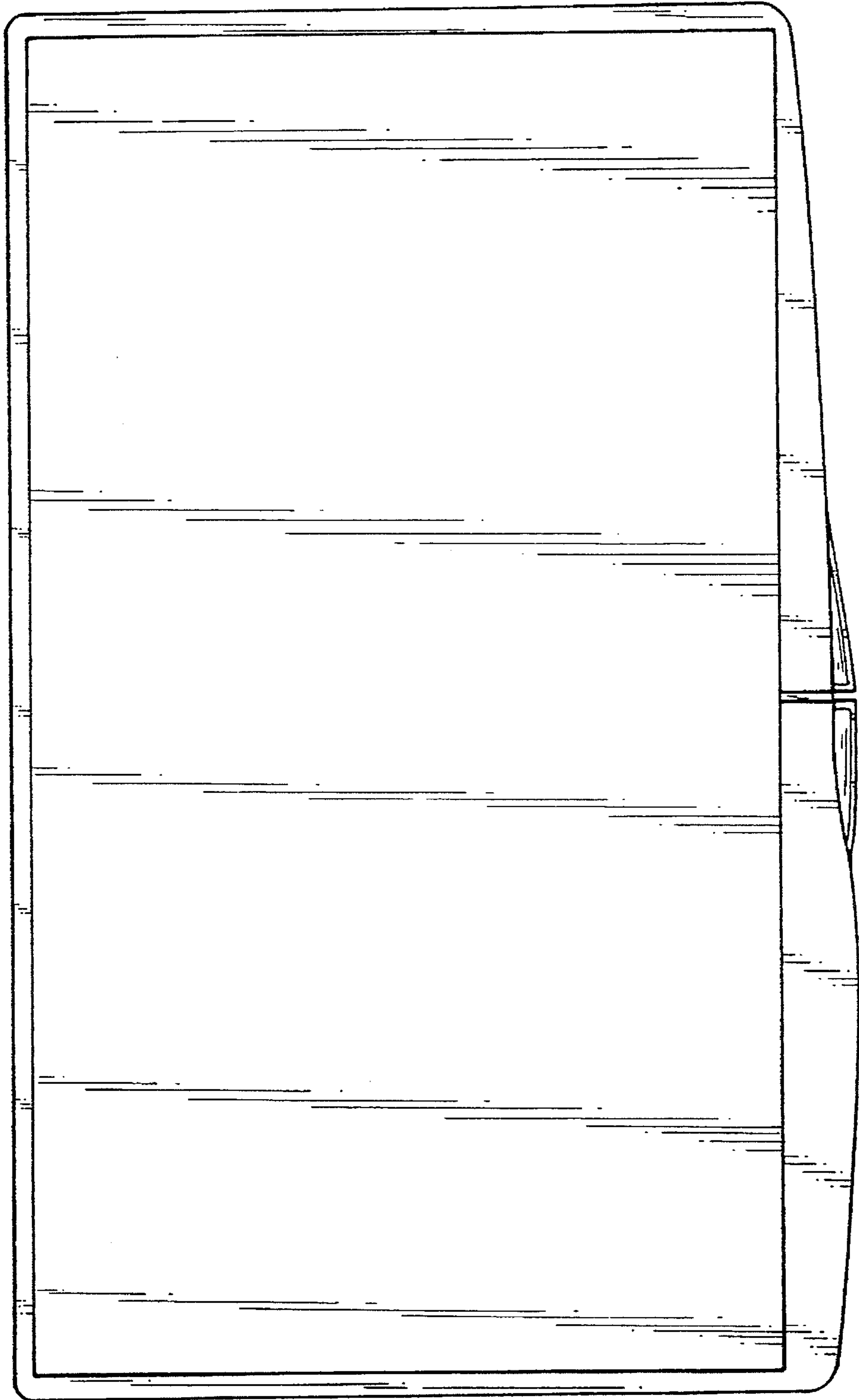


FIG. 7



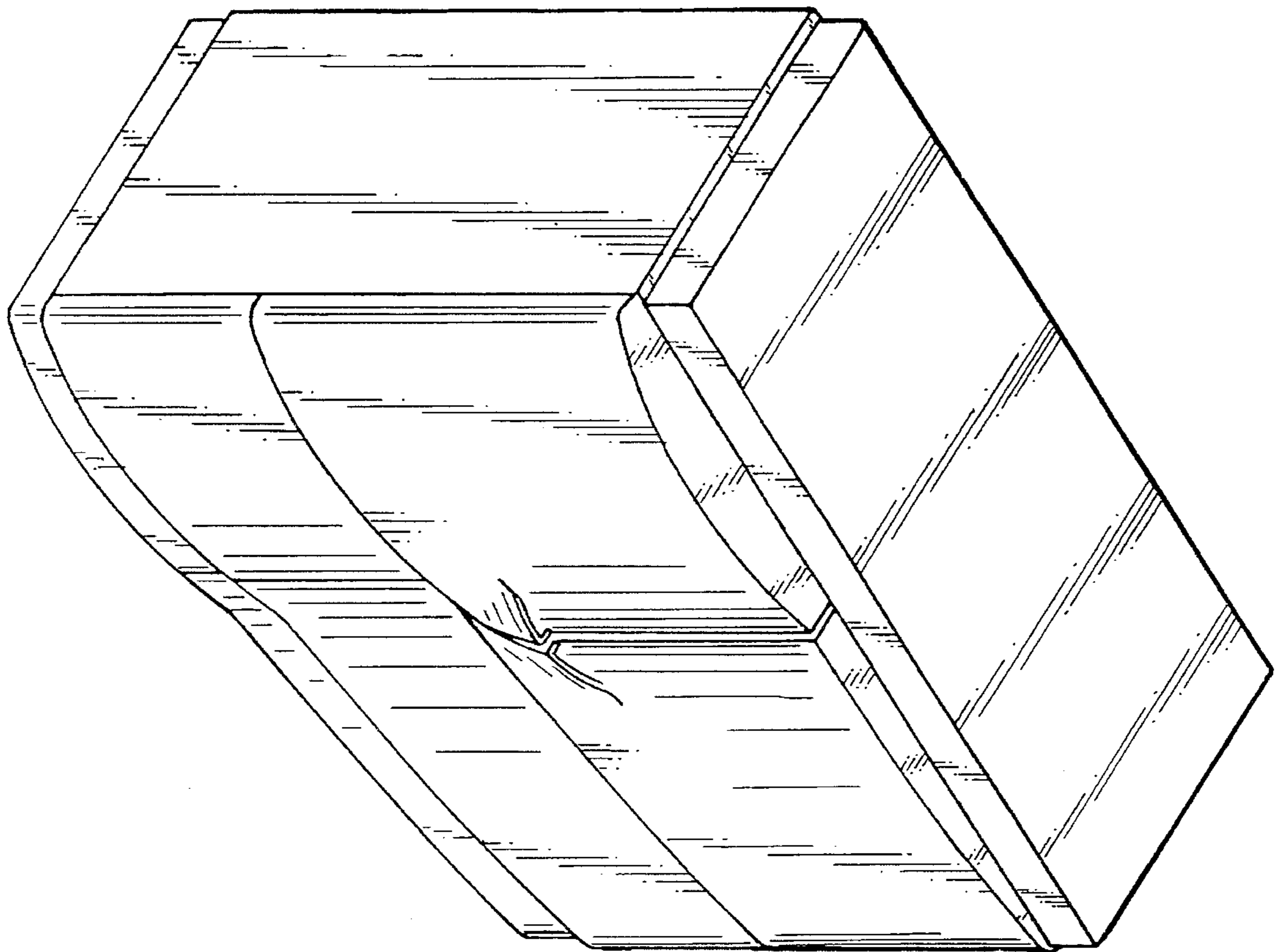


FIG. 8