



US00D369380S

United States Patent [19]

Hosoya et al.

[11] Patent Number: **Des. 369,380**

[45] Date of Patent: ****Apr. 30, 1996**

[54] **PAPER FEEDING DEVICE FOR PRINTER**

D. 349,922 8/1994 Tashiro D18/50
D. 352,057 11/1994 Tashiro D18/50

[75] Inventors: **Kayomi Hosoya**, Tsukuba; **Naoki Tashiro**, Kawasaki, both of Japan

Primary Examiner—Alan P. Douglas
Assistant Examiner—Caron D. Veynar
Attorney, Agent, or Firm—Fitzpatrick, Cella, Harper & Scinto

[73] Assignee: **Canon Kabushiki Kaisha**, Tokyo, Japan

[**] Term: **14 Years**

[57] **CLAIM**

[21] Appl. No.: **30,240**

The ornamental design for a paper feeding device for printer, as shown and described.

[22] Filed: **Oct. 24, 1994**

DESCRIPTION

[30] **Foreign Application Priority Data**

Apr. 26, 1994 [JP] Japan 6-12063

[52] **U.S. Cl.** **D18/49; D18/56**

[58] **Field of Search** D18/46-49, 50, D18/54-56; 271/3, 3.1, 8.1, 9, 10, 18, 110, 111, 114, 116, 119, 122, 126, 147, 157, 171, 258; 355/200, 308, 309; 358/498

FIG. 1 is a front elevational view of a paper feeding device for printer showing our new design;
FIG. 2 is a rear elevational view thereof;
FIG. 3 is a top plan view thereof;
FIG. 4 is a bottom plan view thereof;
FIG. 5 is a left side elevational view thereof;
FIG. 6 is a right side elevational view thereof; and,
FIG. 7 is a perspective view thereof.

[56] **References Cited**

U.S. PATENT DOCUMENTS

D. 317,784 6/1991 Kakiuchi et al. D18/55

1 Claim, 2 Drawing Sheets

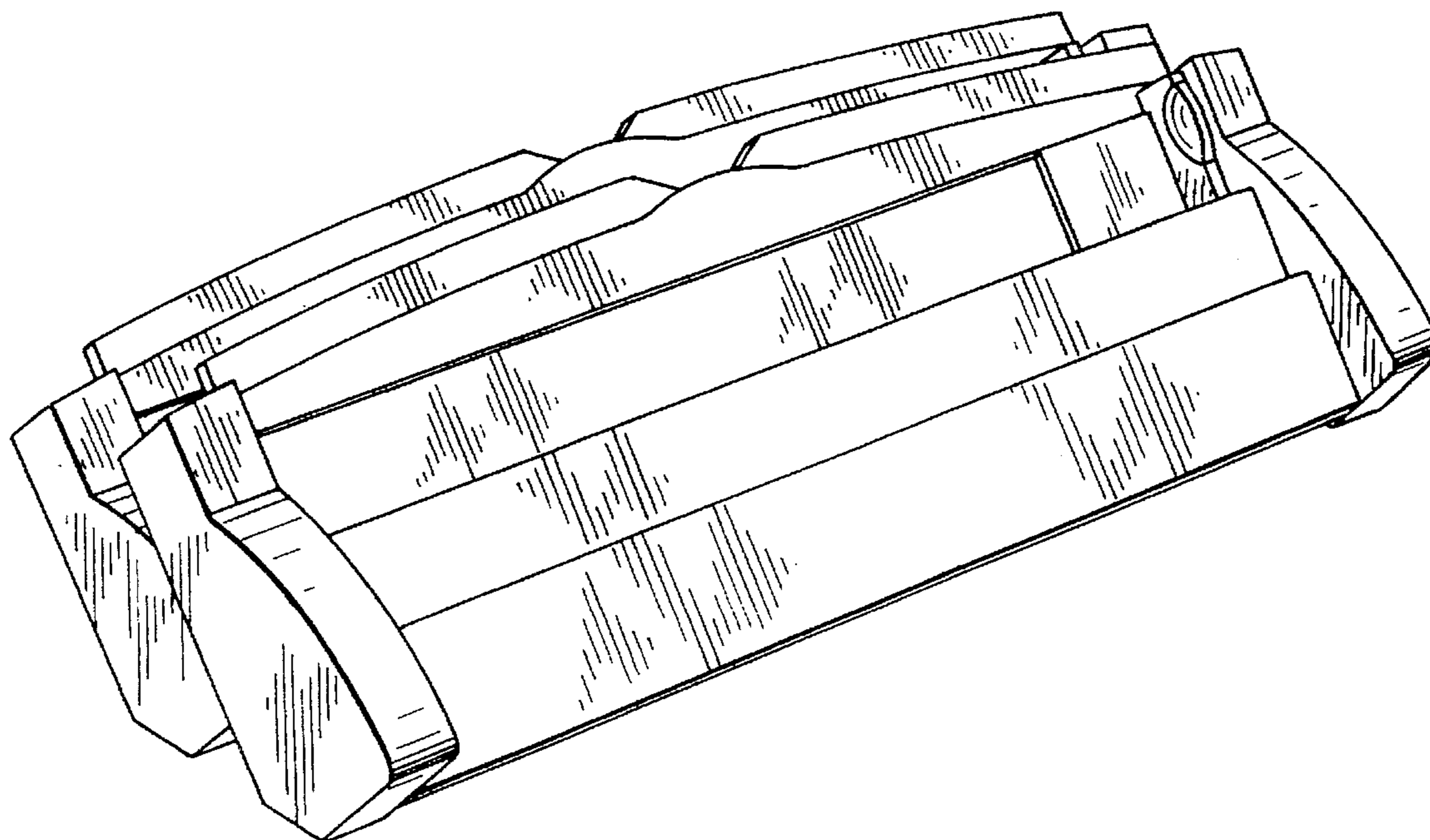


FIG. 1

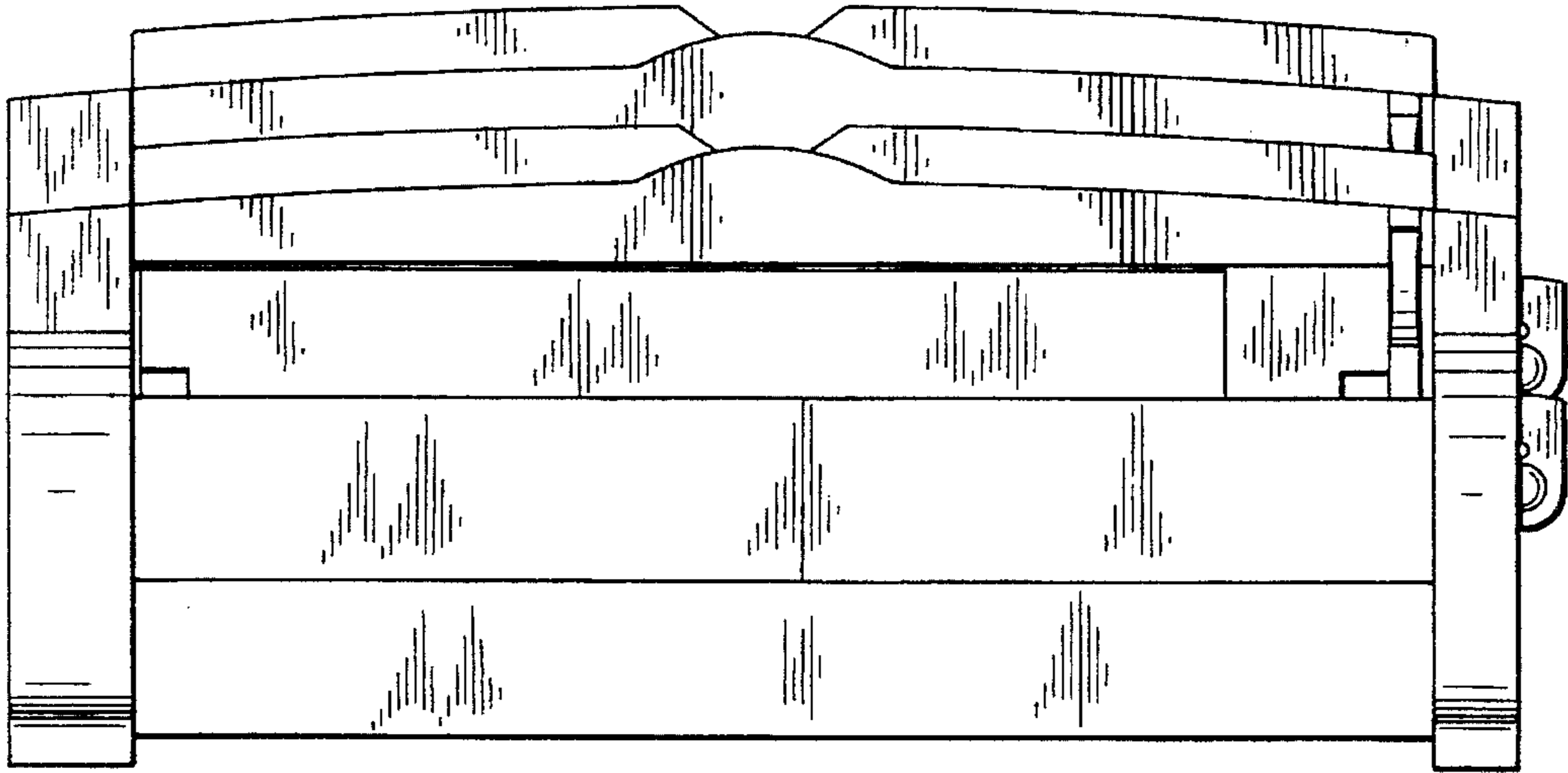


FIG. 2

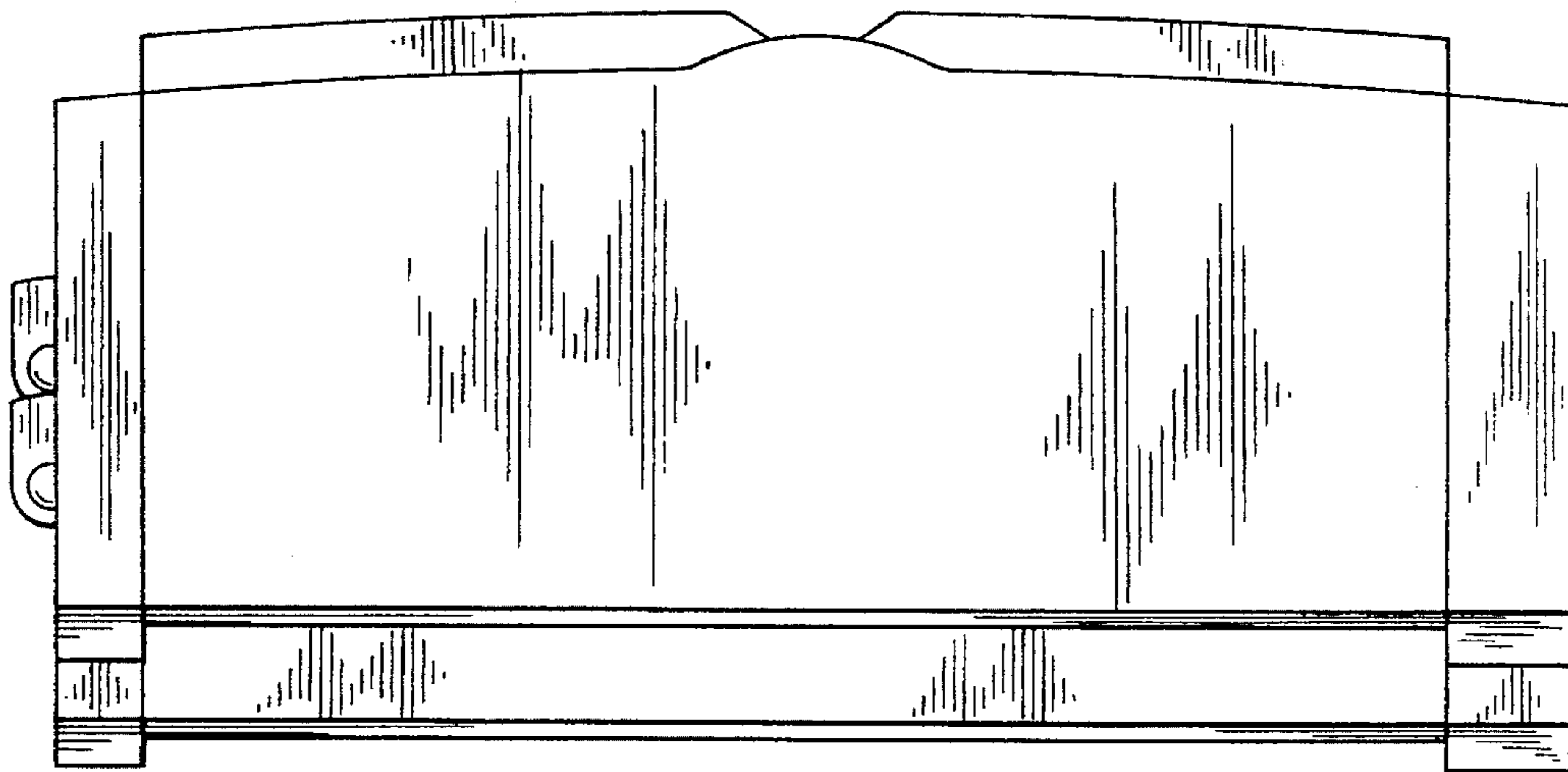


FIG. 3

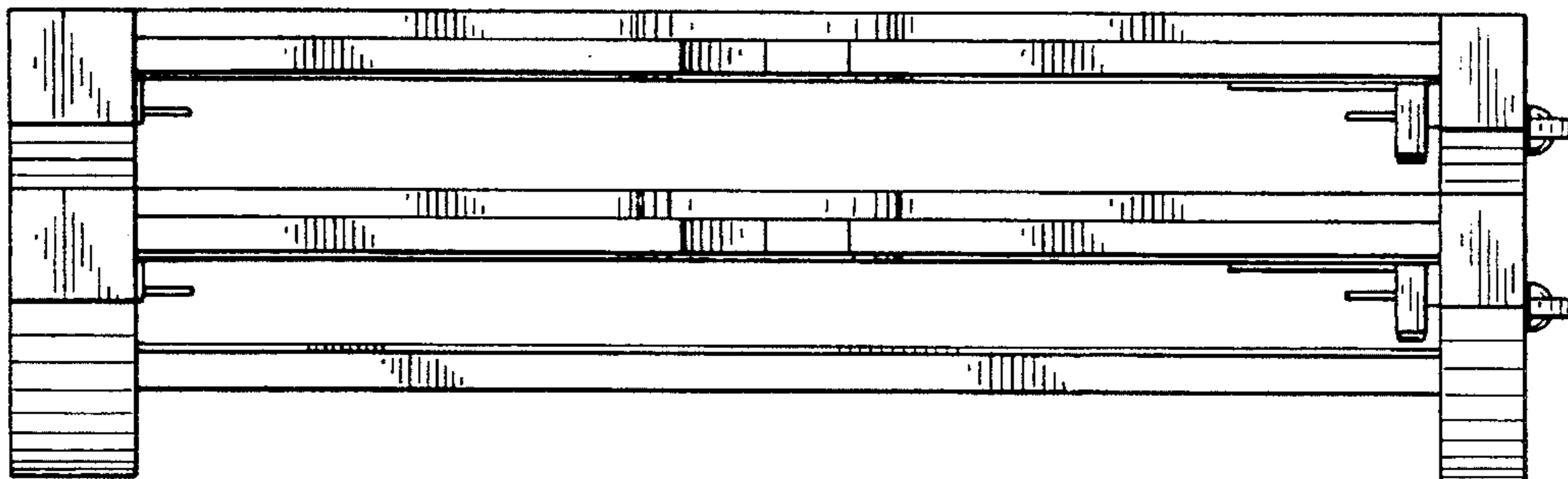


FIG. 4

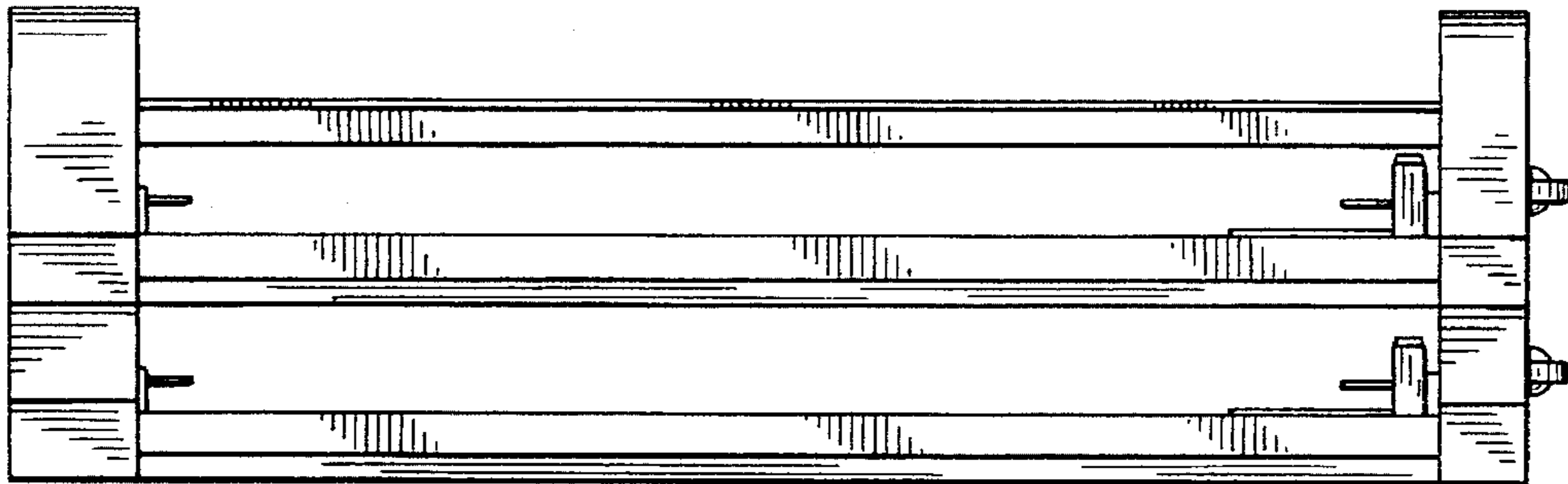


FIG. 5

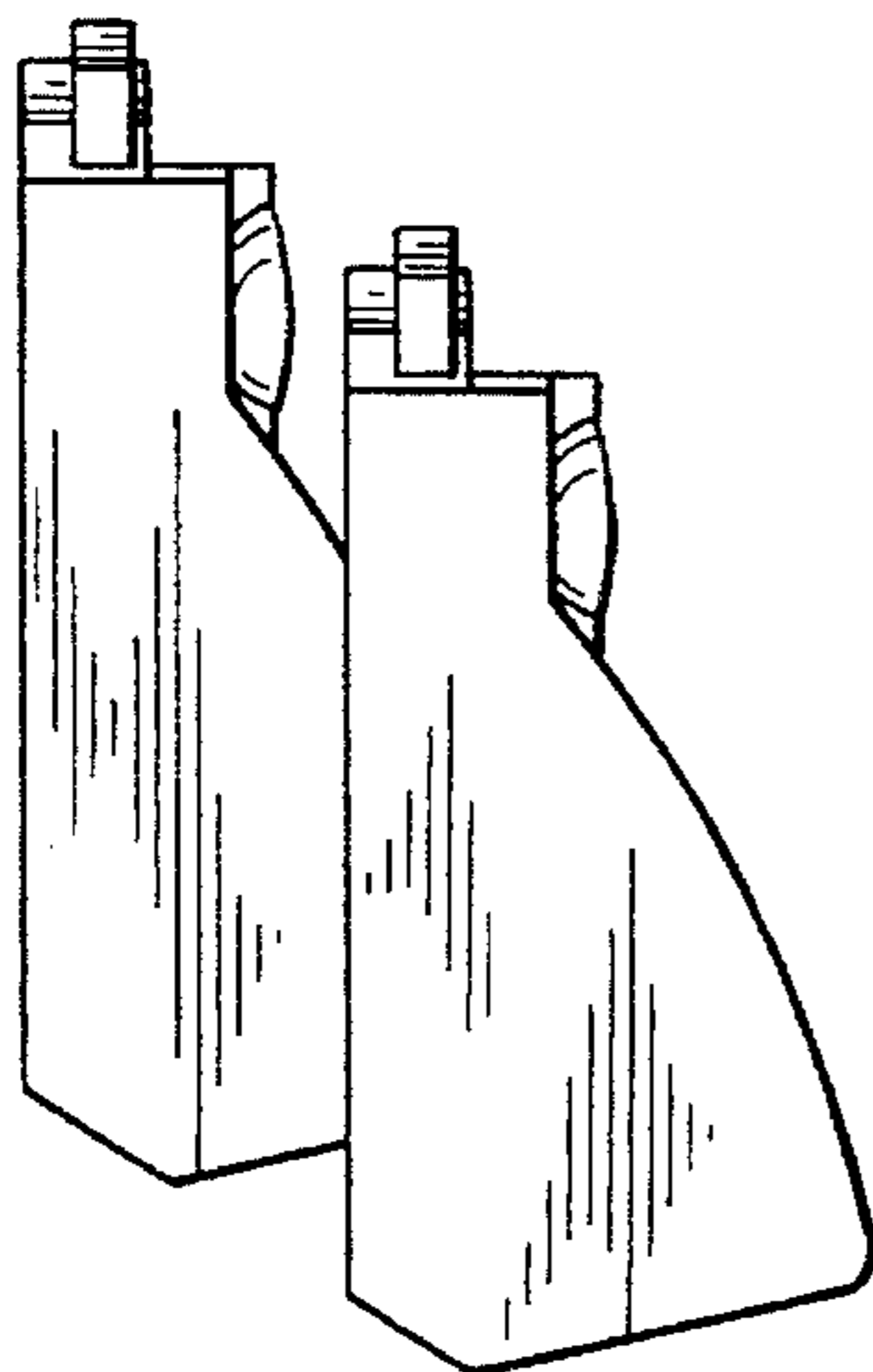


FIG. 6

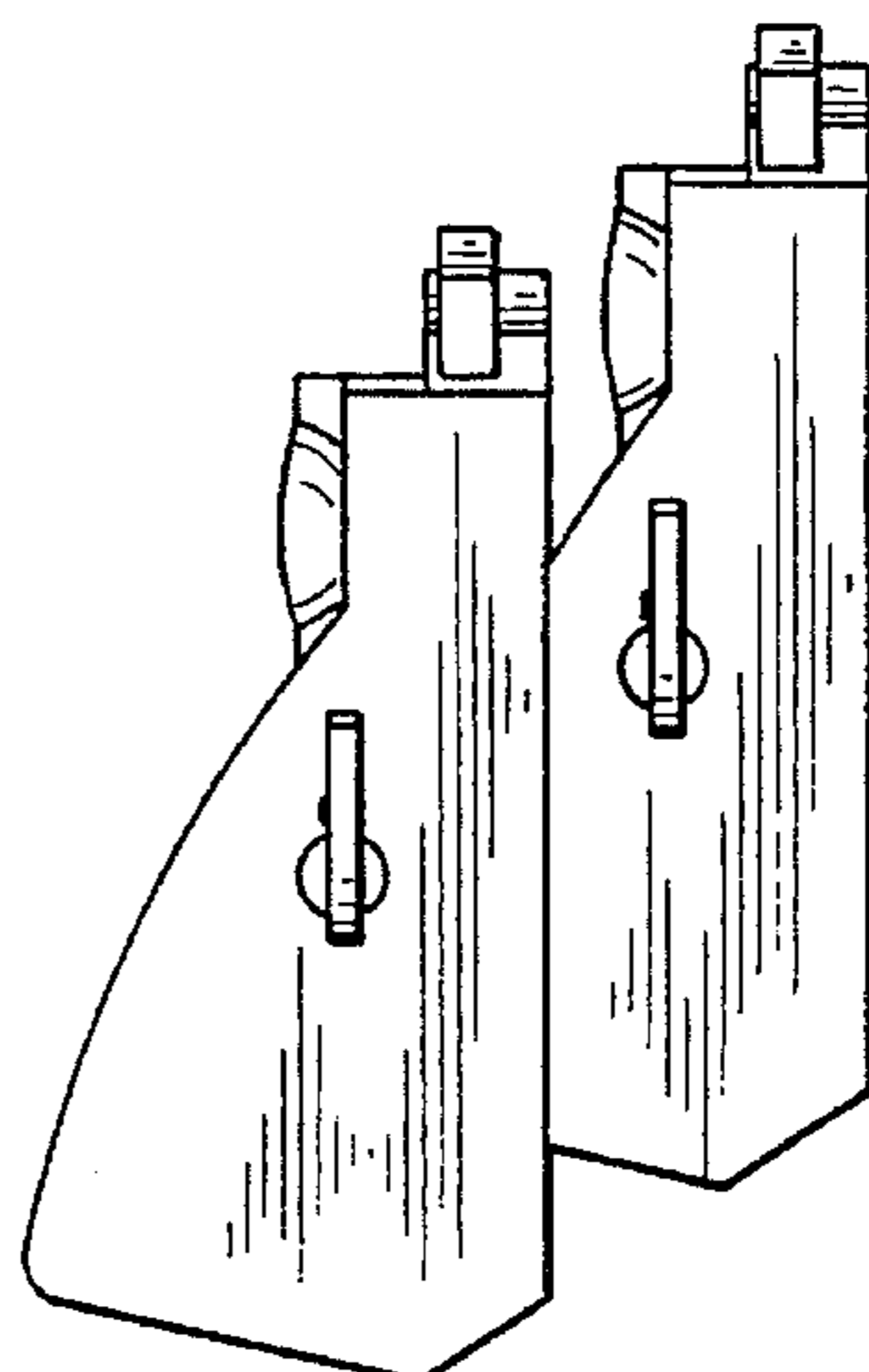


FIG. 7

