



US00D369374S

United States Patent [19]
Dallaire

[11] **Patent Number: Des. 369,374**

[45] **Date of Patent: **Apr. 30, 1996**

[54] **VIEWER**

[76] **Inventor: Michel Dallaire, 3575, St-Laurent Blvd. Bureau 902, Montréal (Québec), Canada, H2X 2T7**

[**] **Term: 14 Years**

[21] **Appl. No.: 36,239**

[22] **Filed: Mar. 16, 1995**

[52] **U.S. Cl. D16/222**

[58] **Field of Search D16/221, 222, D16/227; 40/361, 362, 366, 367; 359/462-466, 472, 474**

[56] **References Cited**

U.S. PATENT DOCUMENTS

D. 251,494 4/1979 Richards et al. D16/222

2,361,661	10/1944	Sparling	D16/222
2,377,109	5/1945	Schwartz et al.	D16/227
2,712,773	7/1955	Merrick	359/466
2,733,635	7/1956	Crandall	359/466
4,009,951	3/1977	Ihms	359/472

Primary Examiner—Prabhakar G. Deshmukh
Assistant Examiner—Adir Aronovich
Attorney, Agent, or Firm—ROBIC

[57] **CLAIM**

The ornamental design for a viewer, as shown and described.

DESCRIPTION

FIG. 1 is a rear and top perspective view of a viewer showing my new design; FIG. 2 is a front and top perspective view thereof; and, FIG. 3 is a bottom plan view thereof.

1 Claim, 3 Drawing Sheets

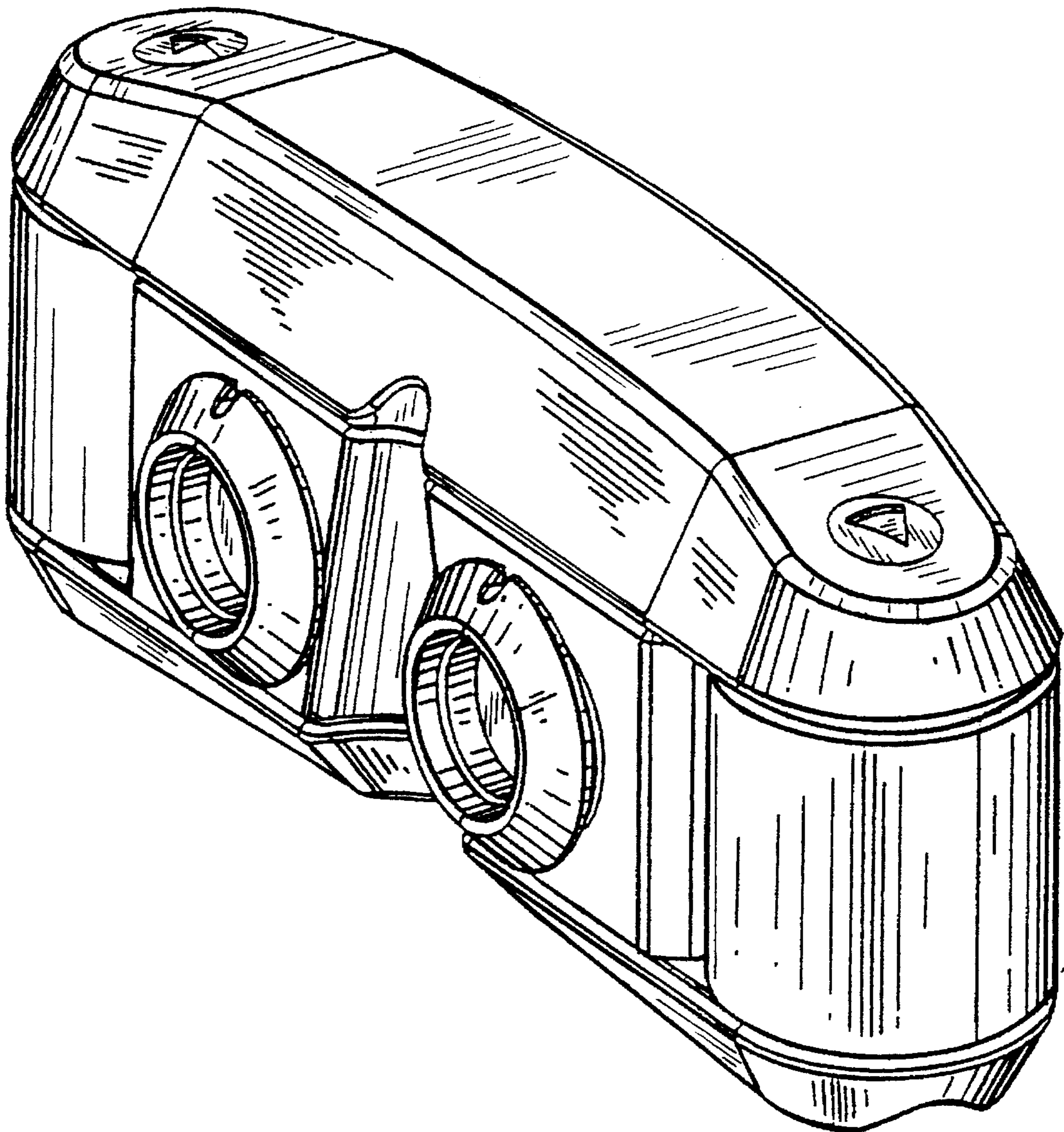


FIG. 1

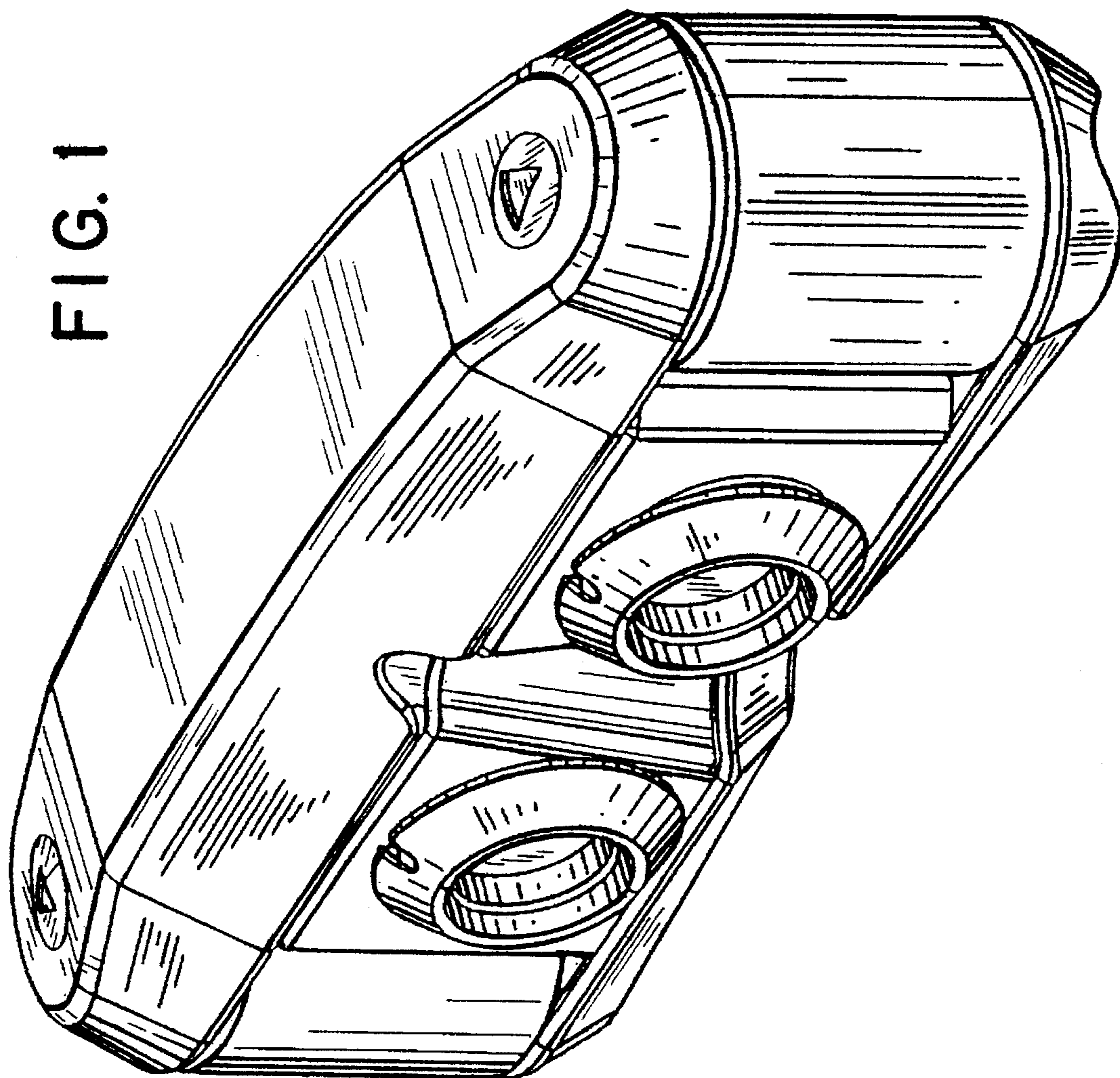


FIG. 2

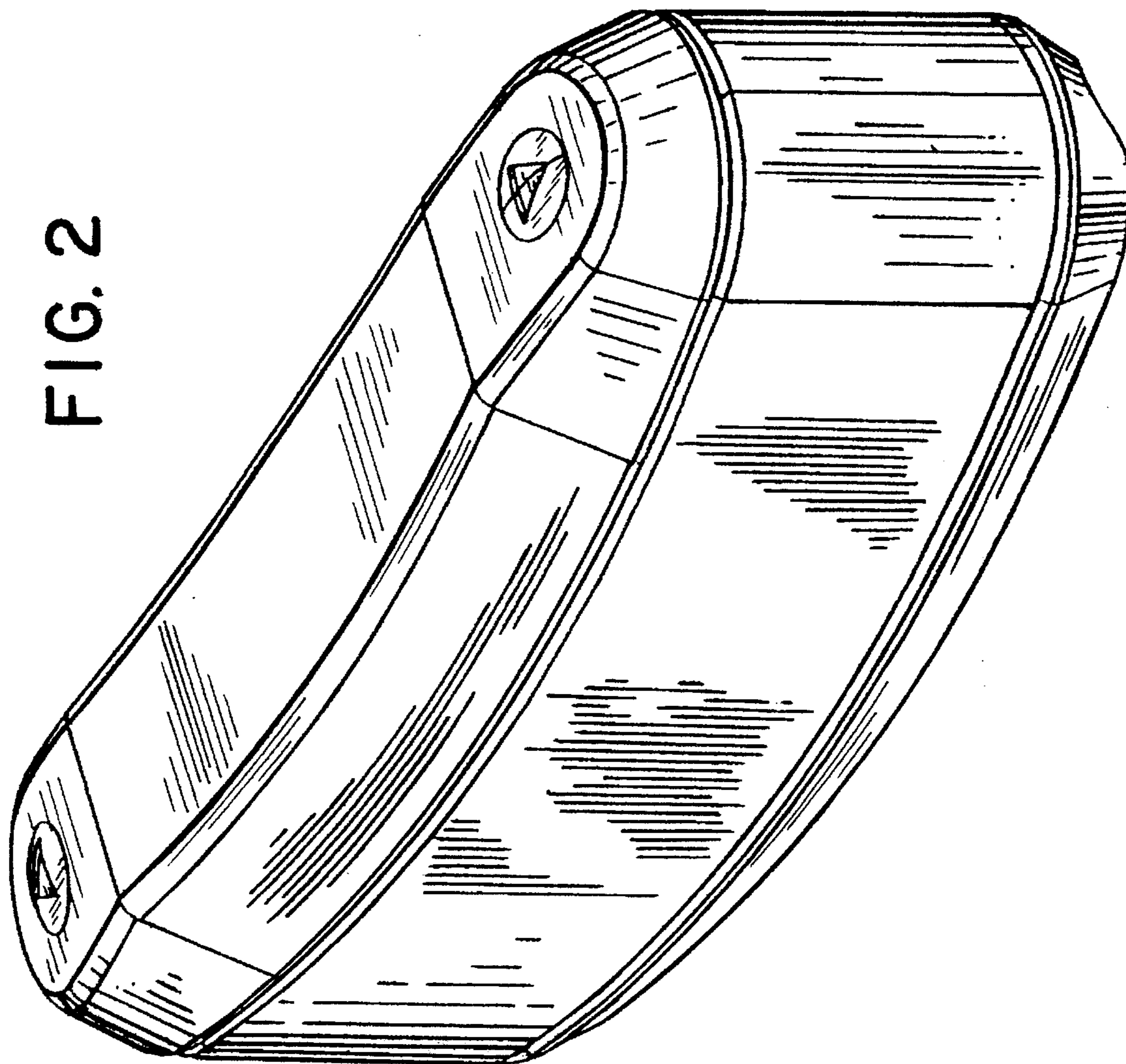


FIG. 3

