



US00D369371S

# United States Patent [19]

Kaneko et al.

[11] Patent Number: **Des. 369,371**

[45] Date of Patent: **\*\*Apr. 30, 1996**

[54] **COMBINED TELEVISION CAMERA WITH VIDEO CASSETTE RECORDER**

4-317270 11/1992 Japan ..... H04N 5/225

[75] Inventors: **Takuji Kaneko; Yuichi Sakagami,**  
both of Daito, Japan

[73] Assignee: **Funai Electric Co., Ltd.,** Daito, Japan

[\*\*] Term: **14 Years**

[21] Appl. No.: **22,624**

[22] Filed: **May 9, 1994**

### [30] Foreign Application Priority Data

Nov. 10, 1993 [JP] Japan ..... 5-33975

[52] U.S. Cl. .... **D16/202**

[58] Field of Search ..... D16/200-205,  
D16/208; 348/143, 207, 373-376; 352/242,  
243; 354/82, 288; 358/906; H04N 5/225

### [56] References Cited

#### U.S. PATENT DOCUMENTS

- D. 342,752 12/1993 Urushihara et al. .... D16/202
- D. 346,614 5/1994 Sumita ..... D16/202
- D. 356,807 3/1995 Sato et al. .... D16/202
- 4,772,902 9/1988 Inoue et al. .... 354/82

#### FOREIGN PATENT DOCUMENTS

3-208474 9/1991 Japan ..... H04N 5/225

### OTHER PUBLICATIONS

Video Review, Jan. 1989 p. 36 (JVC'GR-A30U).  
Video Magazine, Jan. 1993 p. 28 (Minolta's Master 8-848 Camcorder).

*Primary Examiner*—Ted Shooman  
*Assistant Examiner*—Adir Aronovich  
*Attorney, Agent, or Firm*—Lackebach Siegel Marzullo  
Aronson & Greenspan

### [57] CLAIM

The ornamental design for a combined television camera and video cassette recorder, as shown.

### DESCRIPTION

FIG. 1 is a front perspective view of a combined television camera and video cassette recorder showing our new design; FIG. 2 is a front elevational view thereof; FIG. 3 is a rear elevational view thereof; FIG. 4 is a left side elevational view thereof; FIG. 5 is a right side elevational view thereof; FIG. 6 is a top plan view thereof; and, FIG. 7 is a bottom plan view thereof.

**1 Claim, 4 Drawing Sheets**

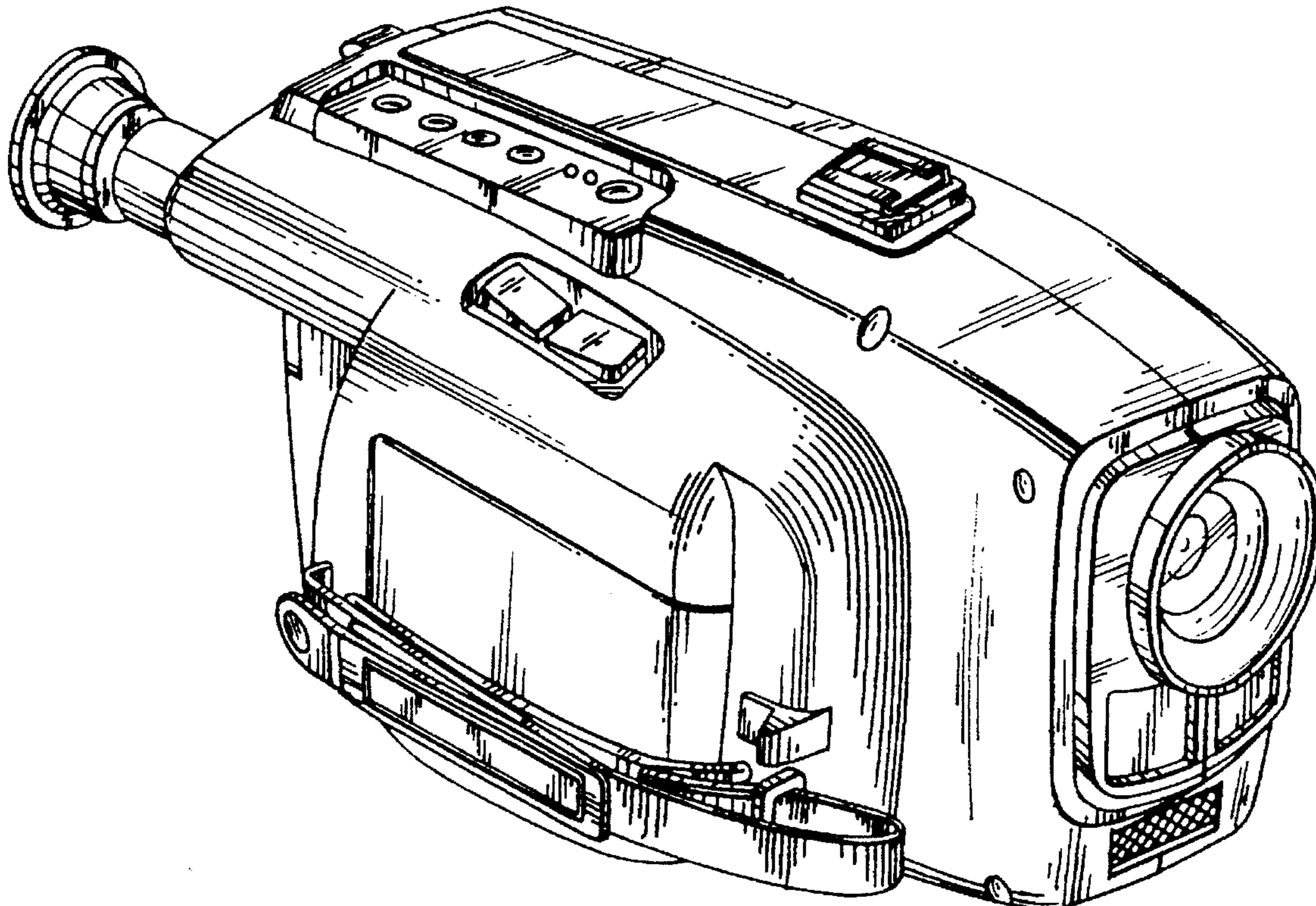


FIG. 1

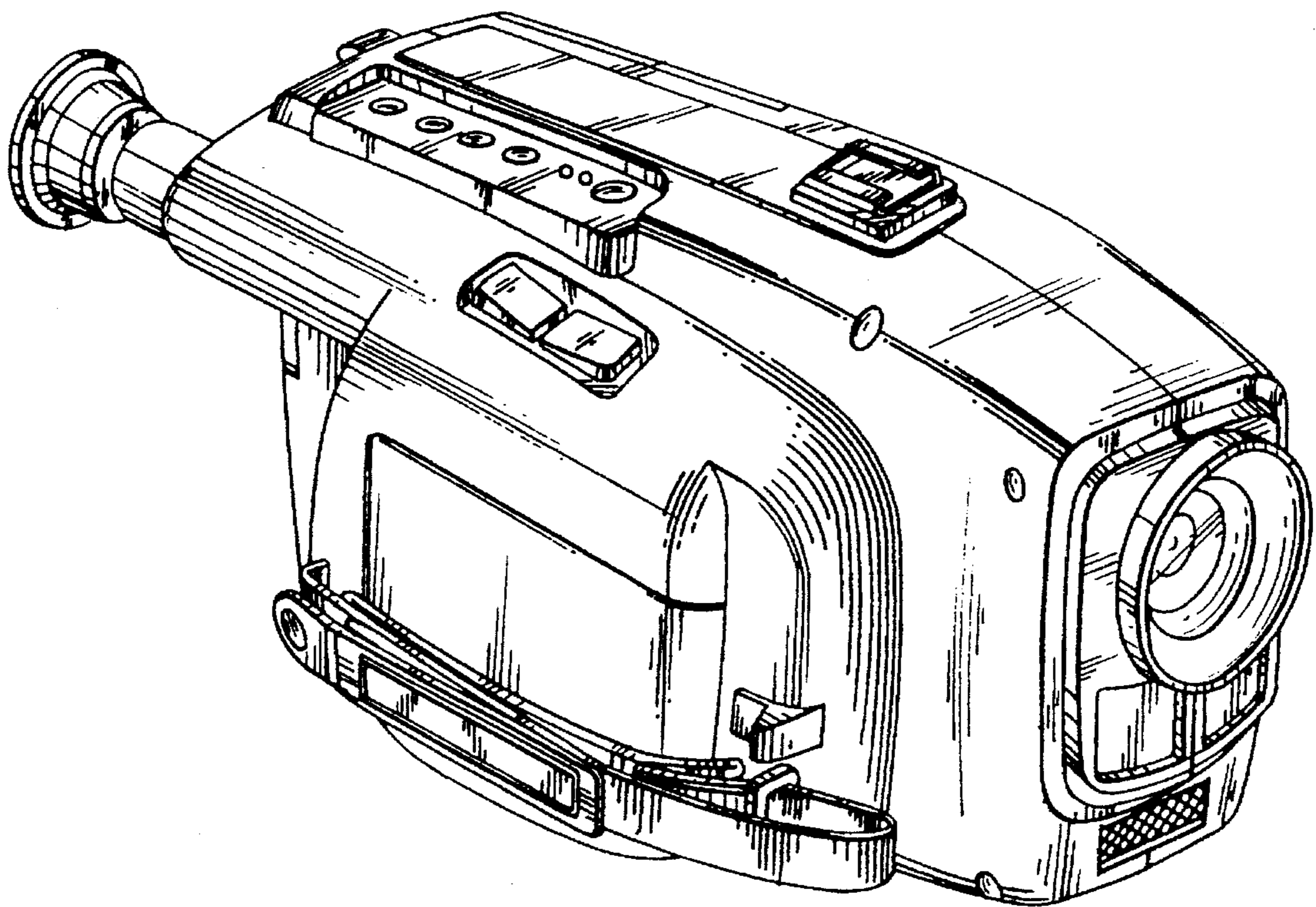


FIG. 2

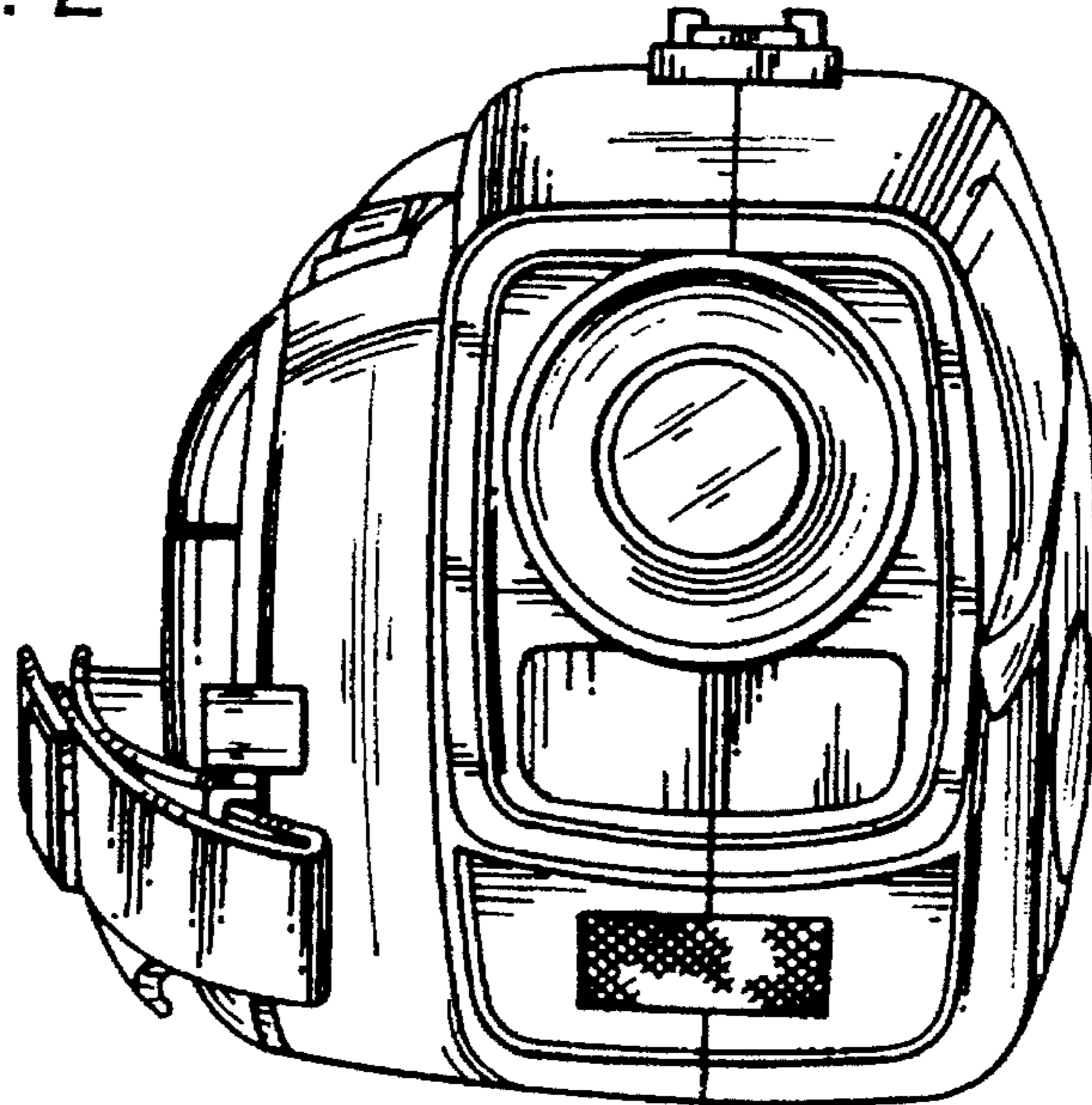


FIG. 3

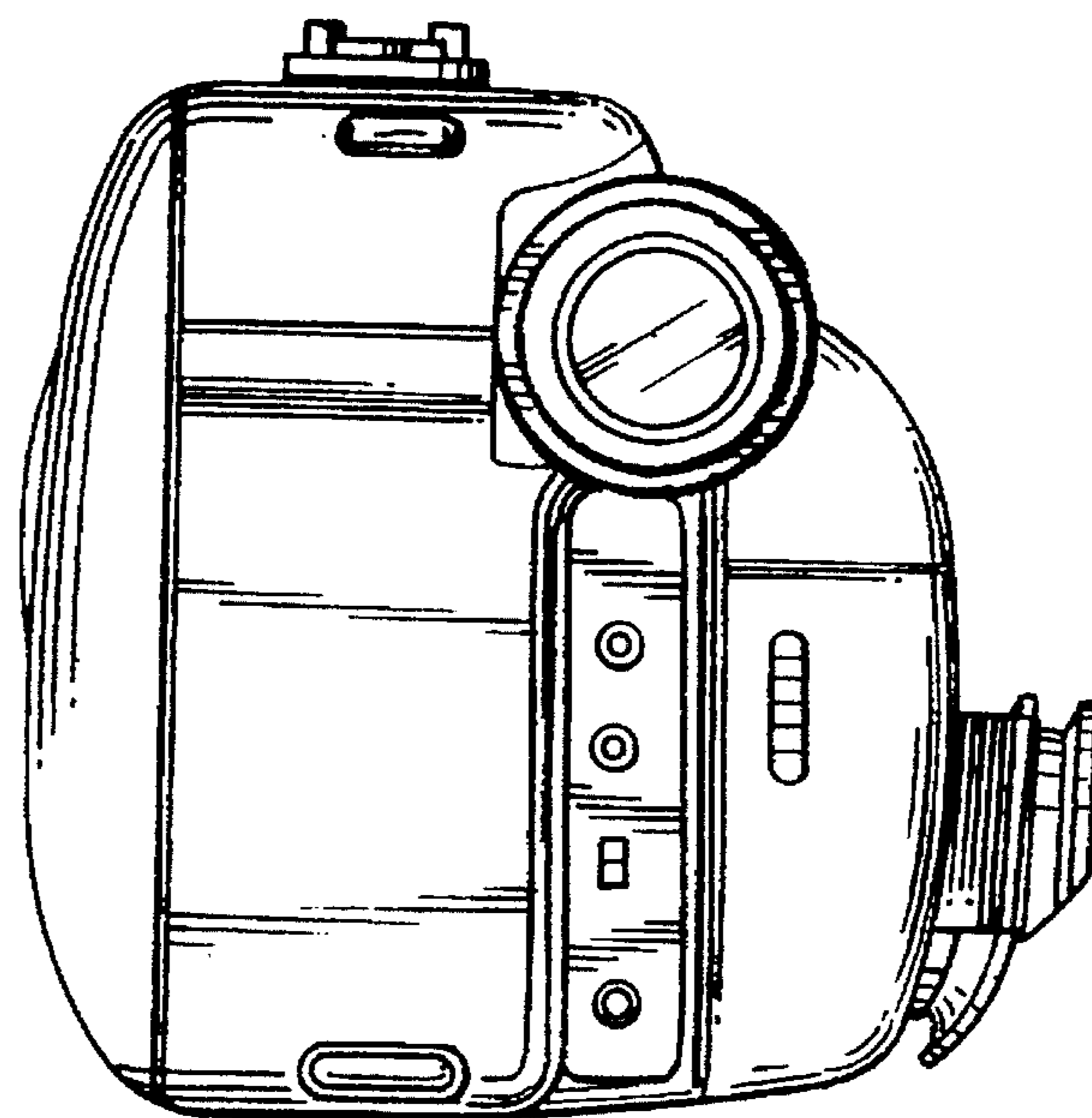


FIG. 4

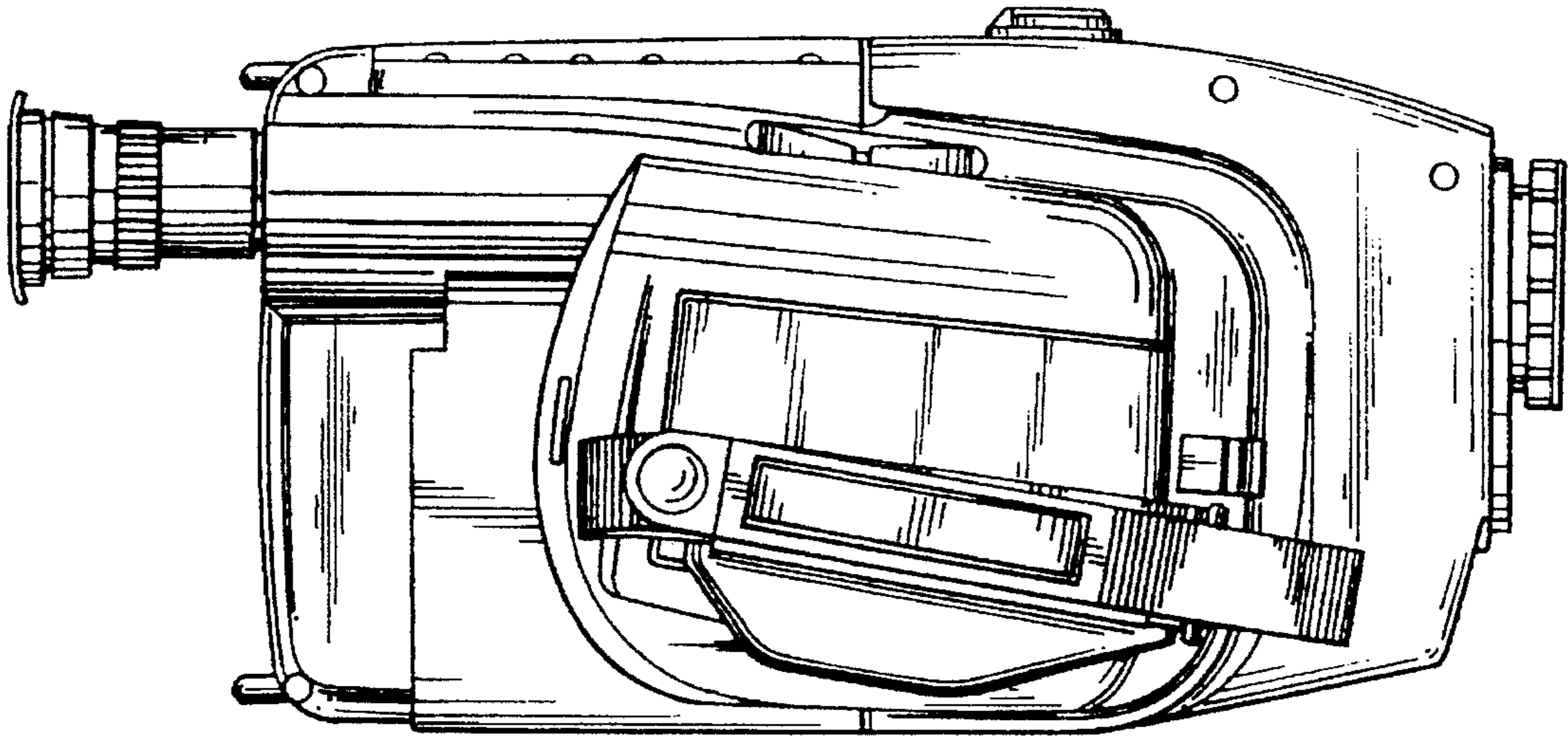


FIG. 5

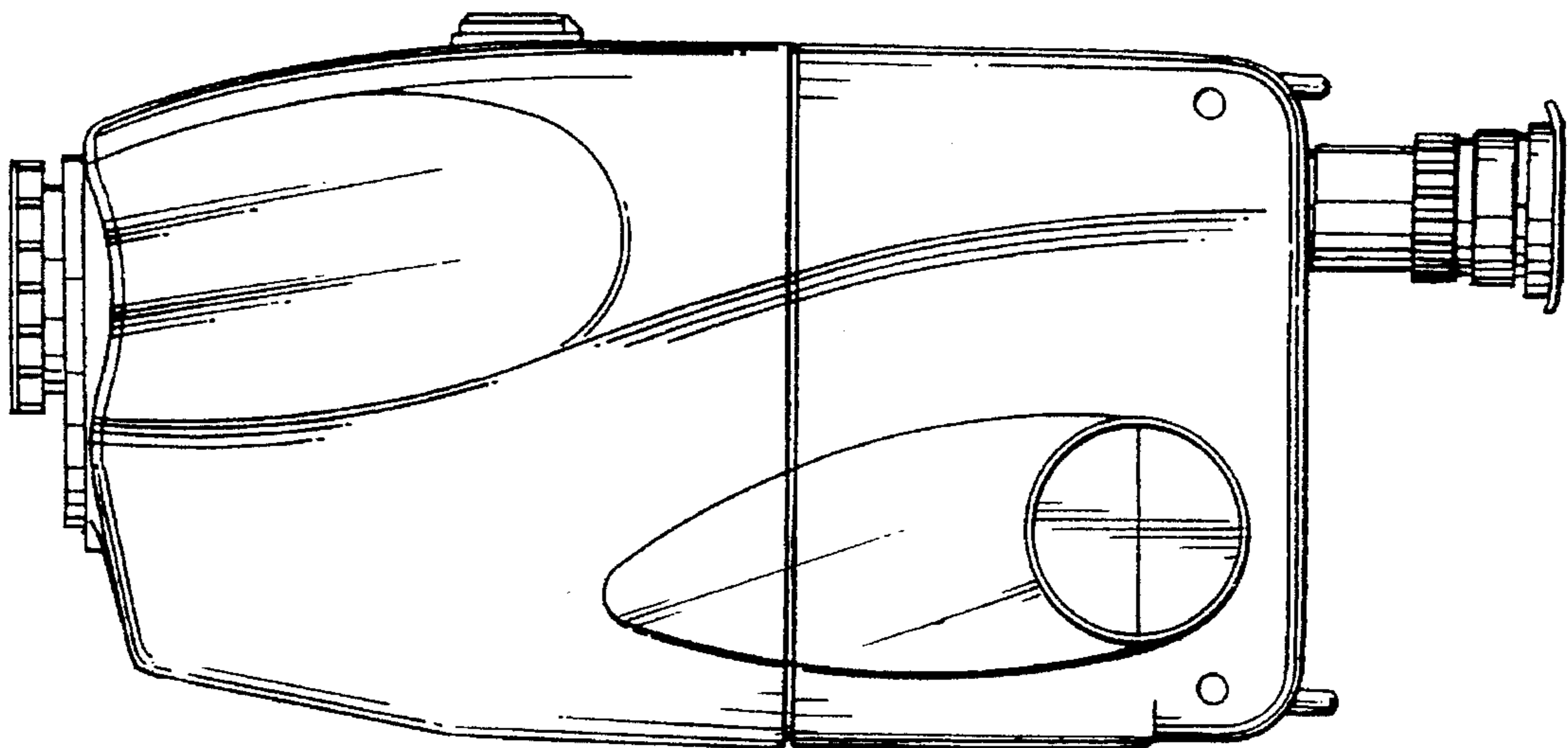


FIG. 6

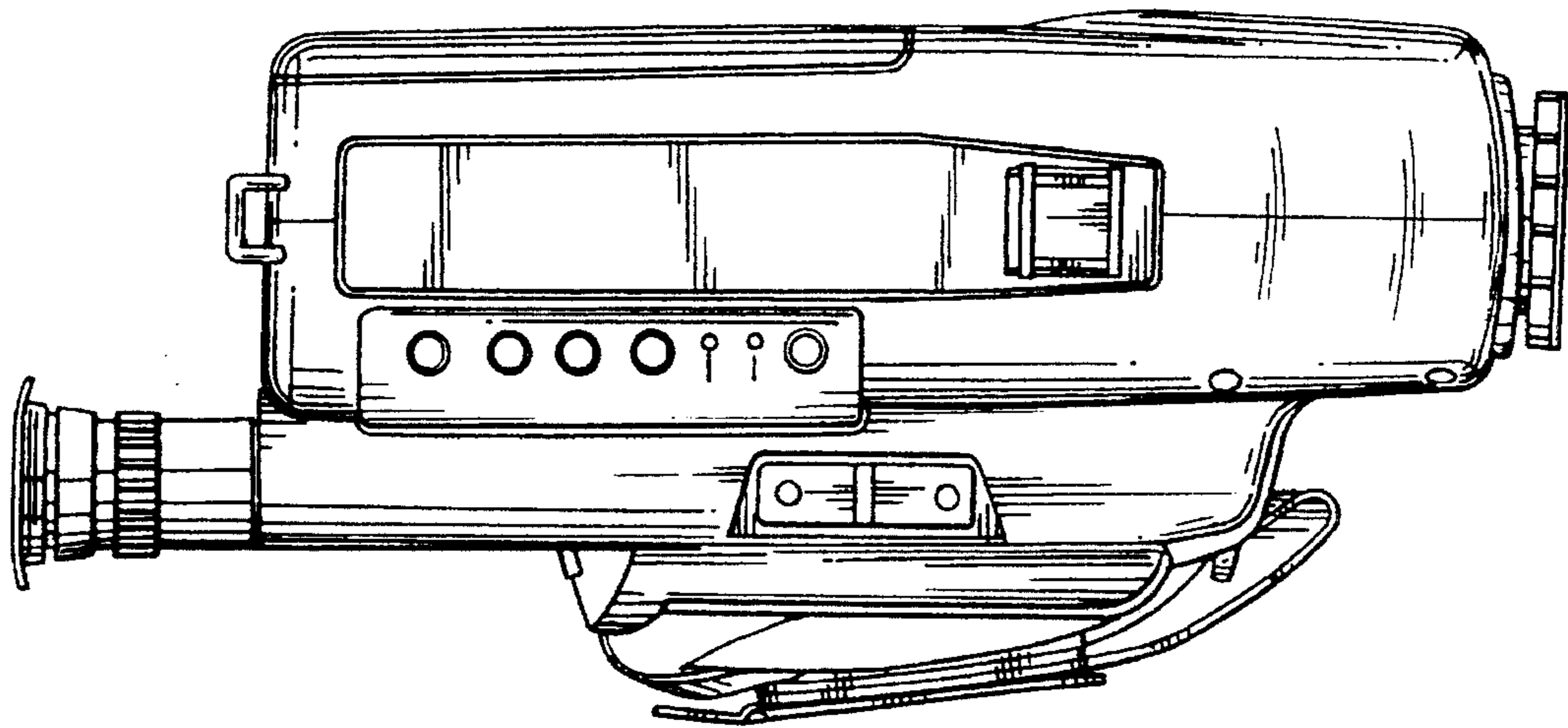


FIG. 7

