



US00D369369S

United States Patent [19]

[11] Patent Number: **Des. 369,369**

Wray

[45] Date of Patent: ****Apr. 30, 1996**

[54] YOKE FOR TELESCOPE

OTHER PUBLICATIONS

[76] Inventor: **James D. Wray**, 21200 Todd Valley Rd., #40, Foresthill, Calif. 95631

Gente, et al., *Robotic Observatories* text, copyright 1989, pages: cover, 19, 27, 36, 110, 116, and 118.

[**] Term: **14 Years**

J. Brit. Astr. Assn., "Telescope at Wollongong", 1971, pp. 212-214.

[21] Appl. No.: **34,816**

Primary Examiner—Louis S. Zarfes

[22] Filed: **Feb. 13, 1995**

Assistant Examiner—Monica A. Hannon

[52] U.S. Cl. **D16/132; D16/130**

Attorney, Agent, or Firm—Bradley P. Heisler

[58] **Field of Search** D16/130, 131, D16/132, 136, 227; 33/233; 248/185; 353/DIG. 3; 354/79; 356/142, 148, 149, 241, 251, 253; 359/382, 383, 384, 399, 405, 407, 419, 430, 802, 804, 809, 810, 811, 816

[57] CLAIM

The ornamental design for a yoke for telescope, as shown and described.

[56] References Cited

DESCRIPTION

U.S. PATENT DOCUMENTS

| | | | |
|-----------|--------|-------------|-----------|
| 2,212,346 | 8/1940 | Kroon | 359/430 |
| 3,324,758 | 6/1967 | Rogers, Jr. | D16/132 X |
| 4,317,612 | 3/1982 | Horvath | 359/430 |
| 4,400,066 | 8/1983 | Byers | 359/430 |
| 4,927,252 | 5/1990 | Burr | 359/430 X |

FIG. 1 is a perspective view of a yoke for telescope showing my new design, it being understood that structures shown with broken lines throughout the figures are for illustrative purposes only and form no part of the claimed design;

FIG. 2 is a perspective view thereof without broken lines; FIG. 3 is a right side view thereof, it being understood that the opposite side is a mirror image thereof;

FIG. 4 is a front elevation view thereof;

FIG. 5 is a rear elevation view thereof;

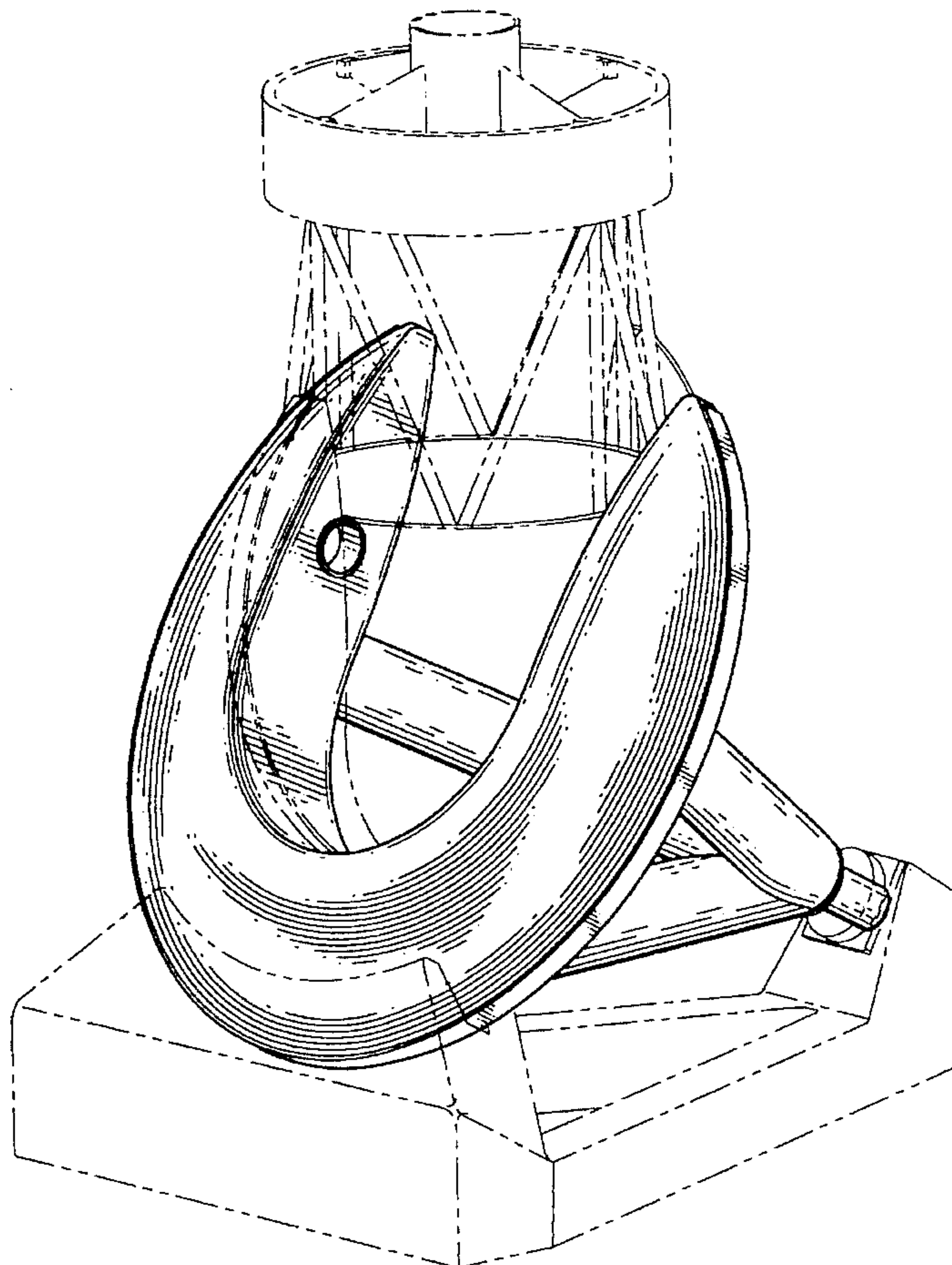
FIG. 6 is a top plan view thereof; and,

FIG. 7 is a bottom plan view thereof.

FOREIGN PATENT DOCUMENTS

| | | | |
|---------|--------|--------|---------|
| 2609558 | 7/1988 | France | 359/399 |
| 604292 | 5/1960 | Italy | 359/430 |

1 Claim, 3 Drawing Sheets



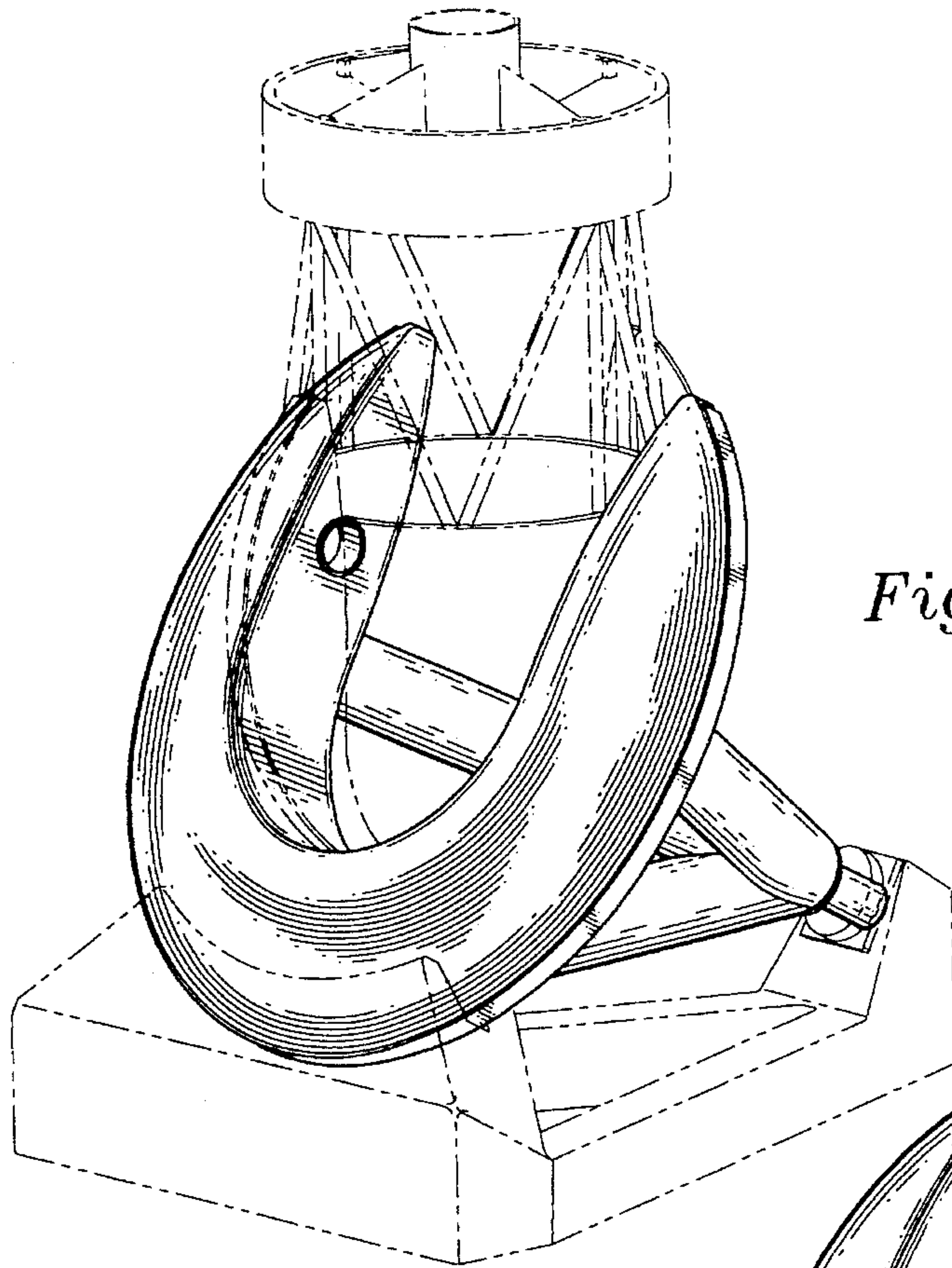


Fig. 1

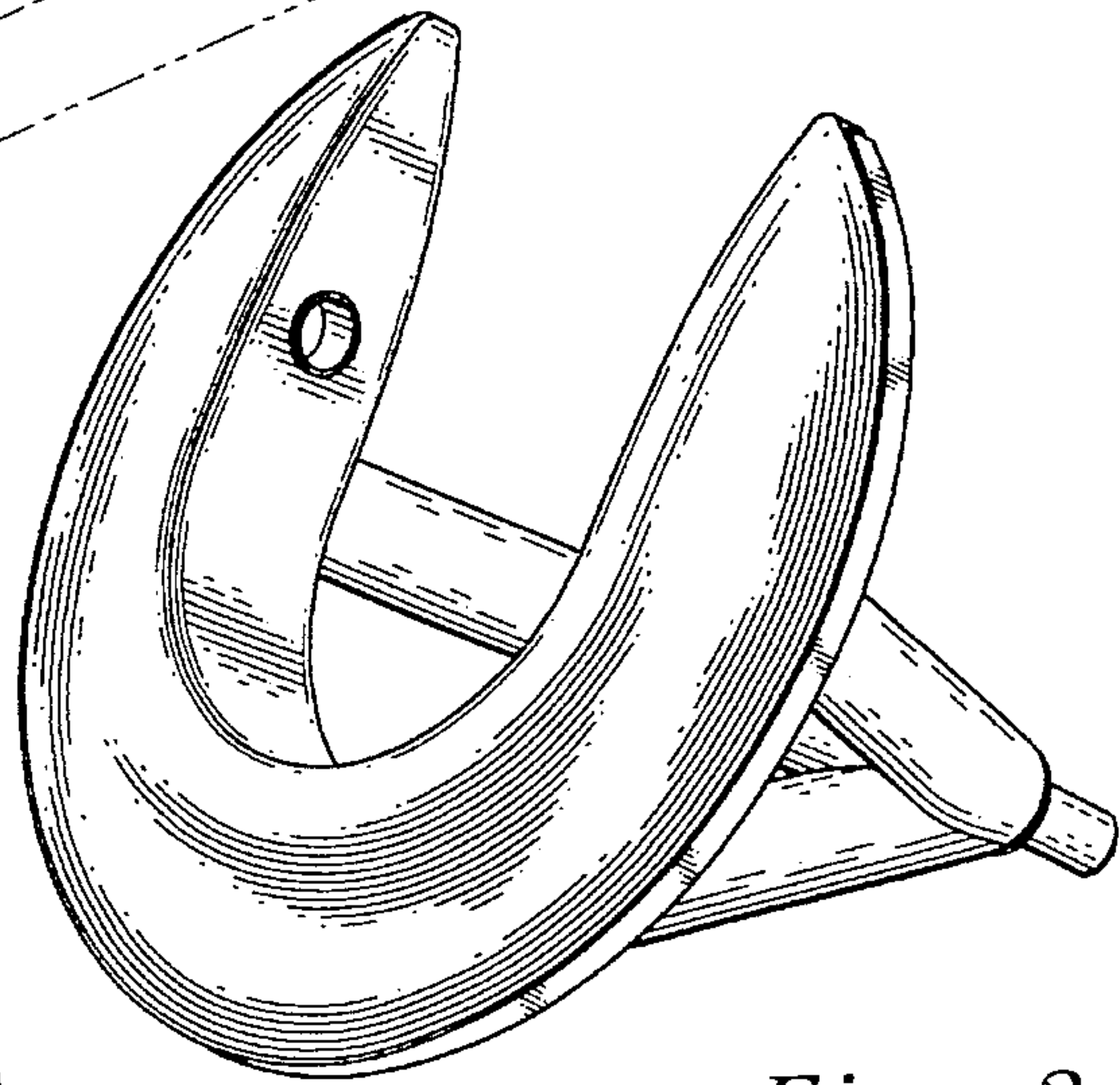


Fig. 2

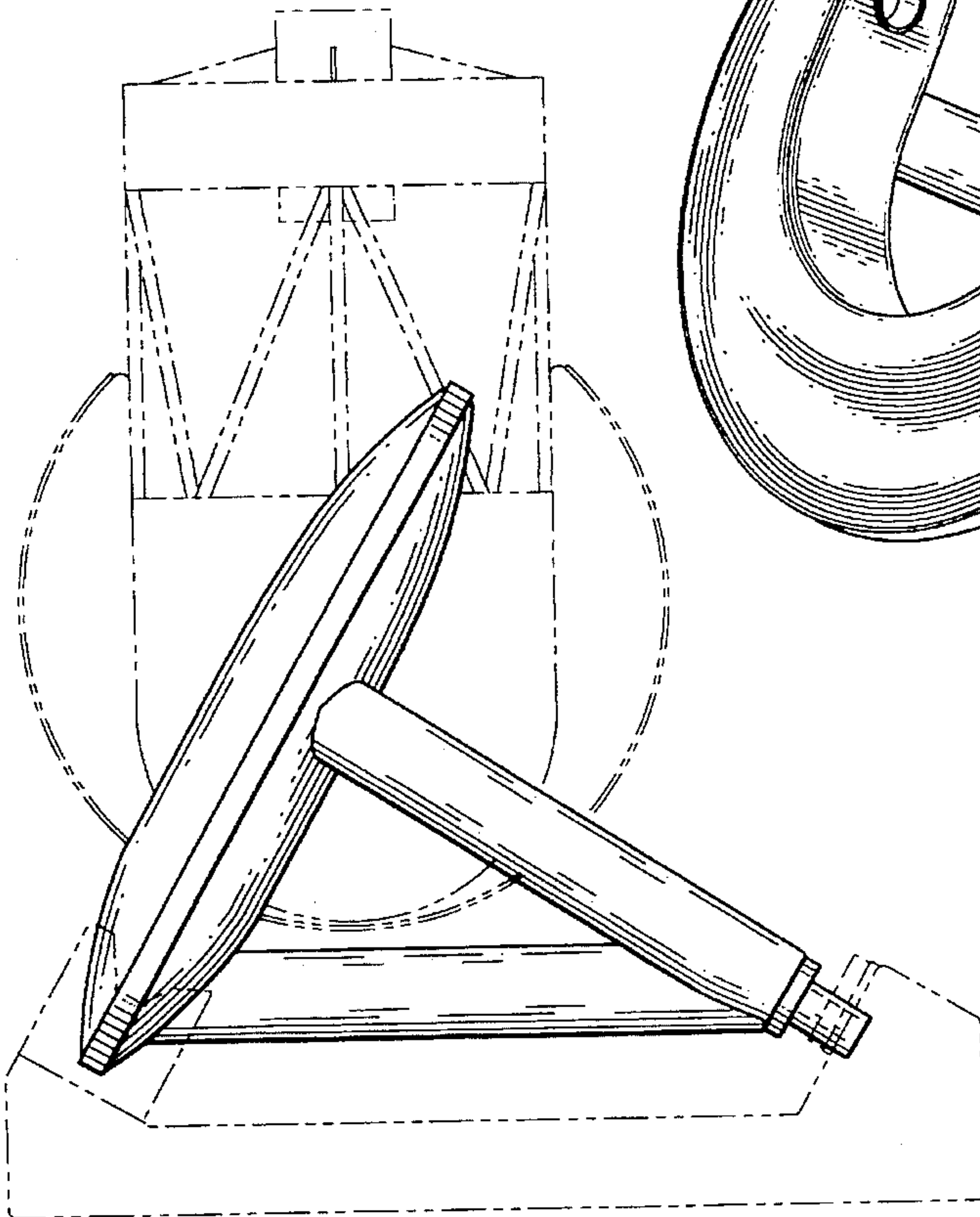


Fig. 3

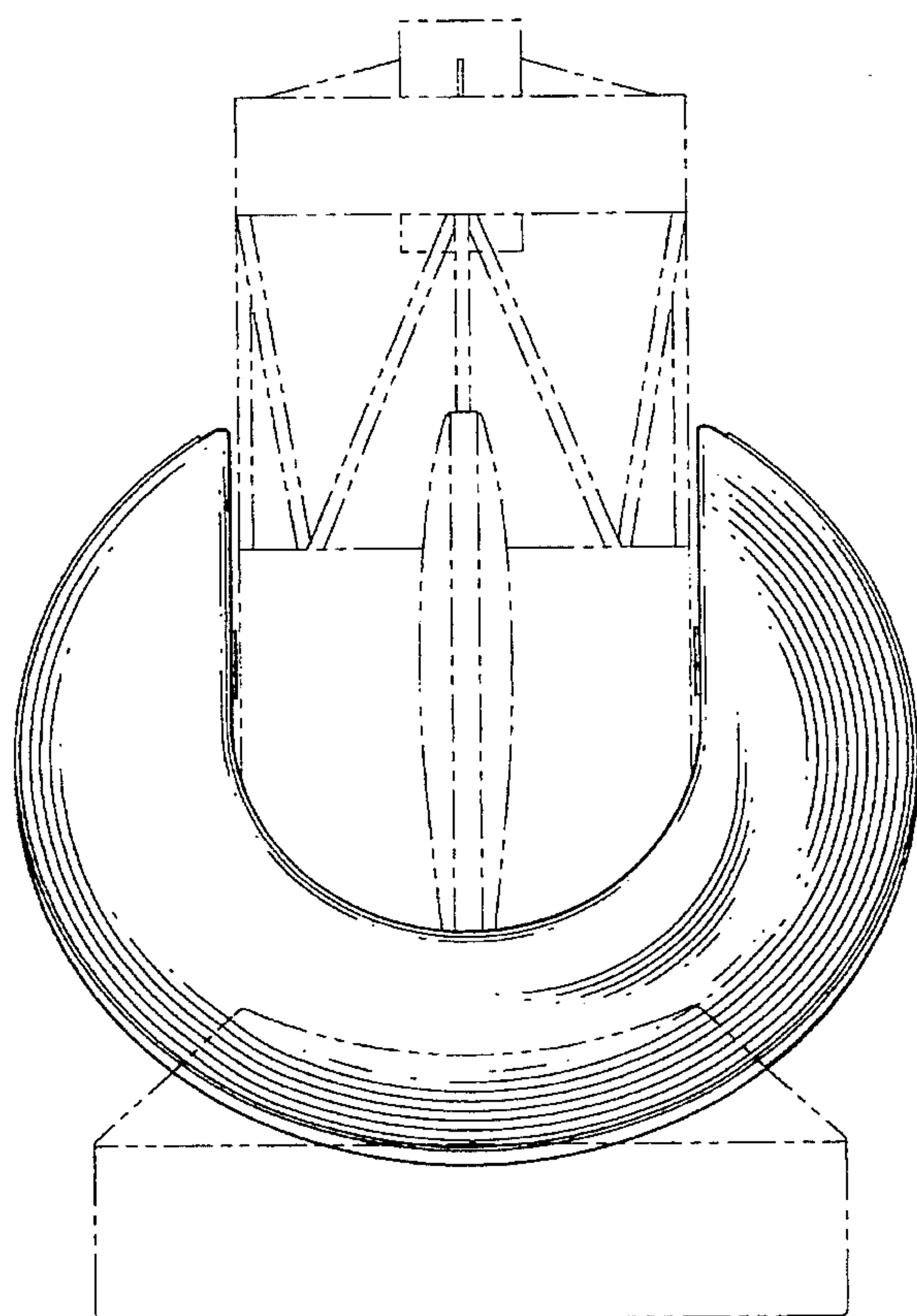


Fig. 4

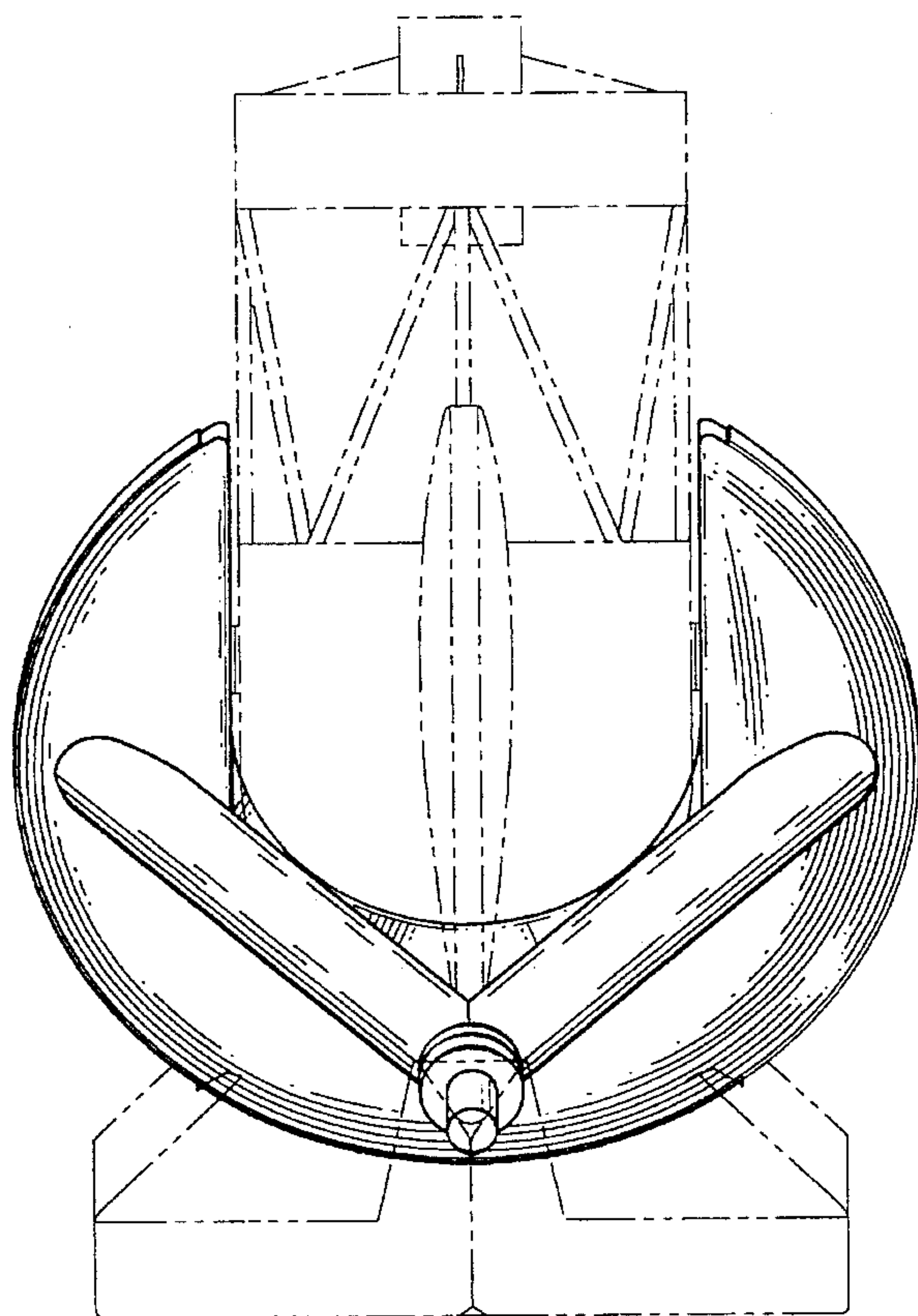


Fig. 5

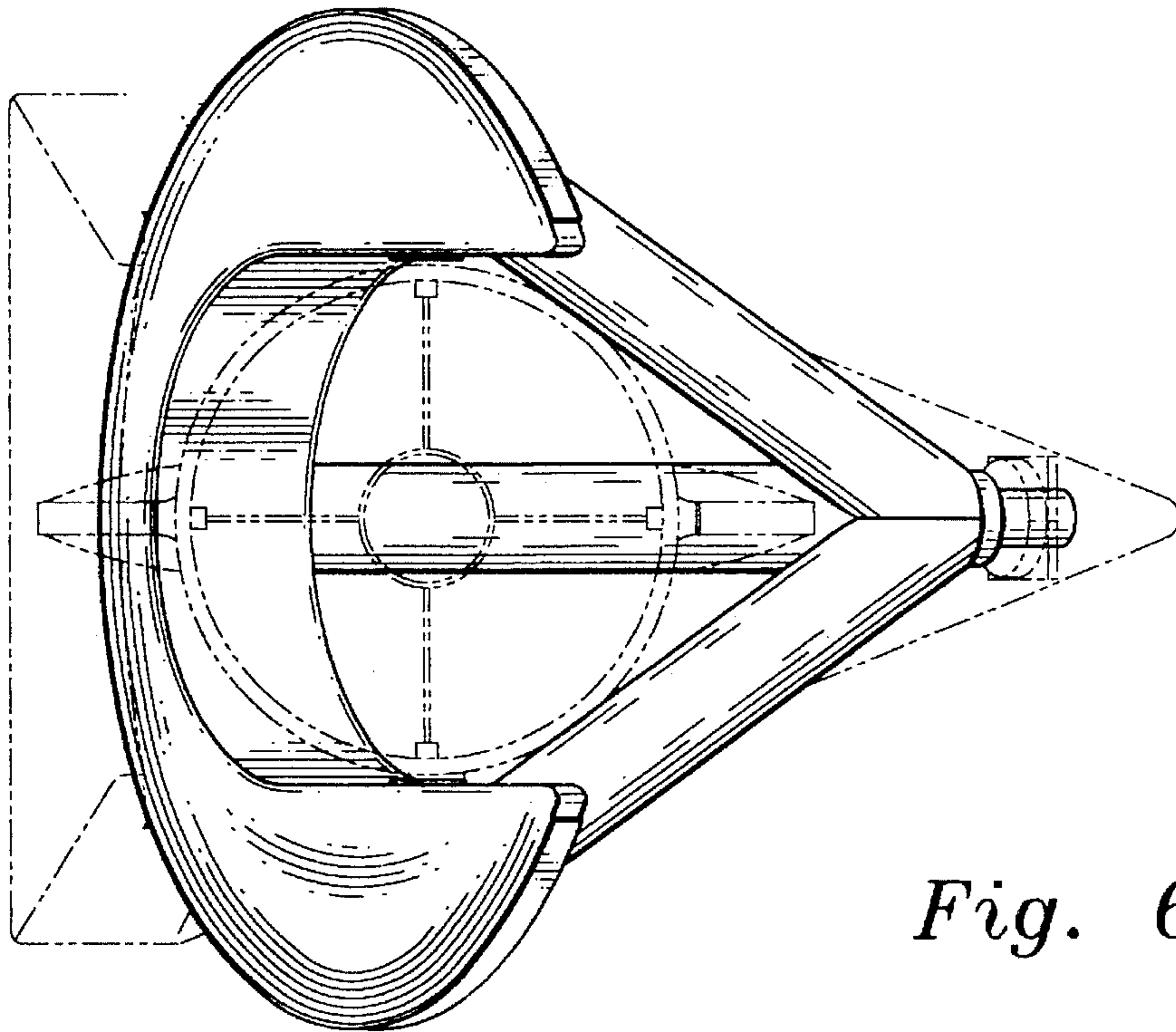


Fig. 6

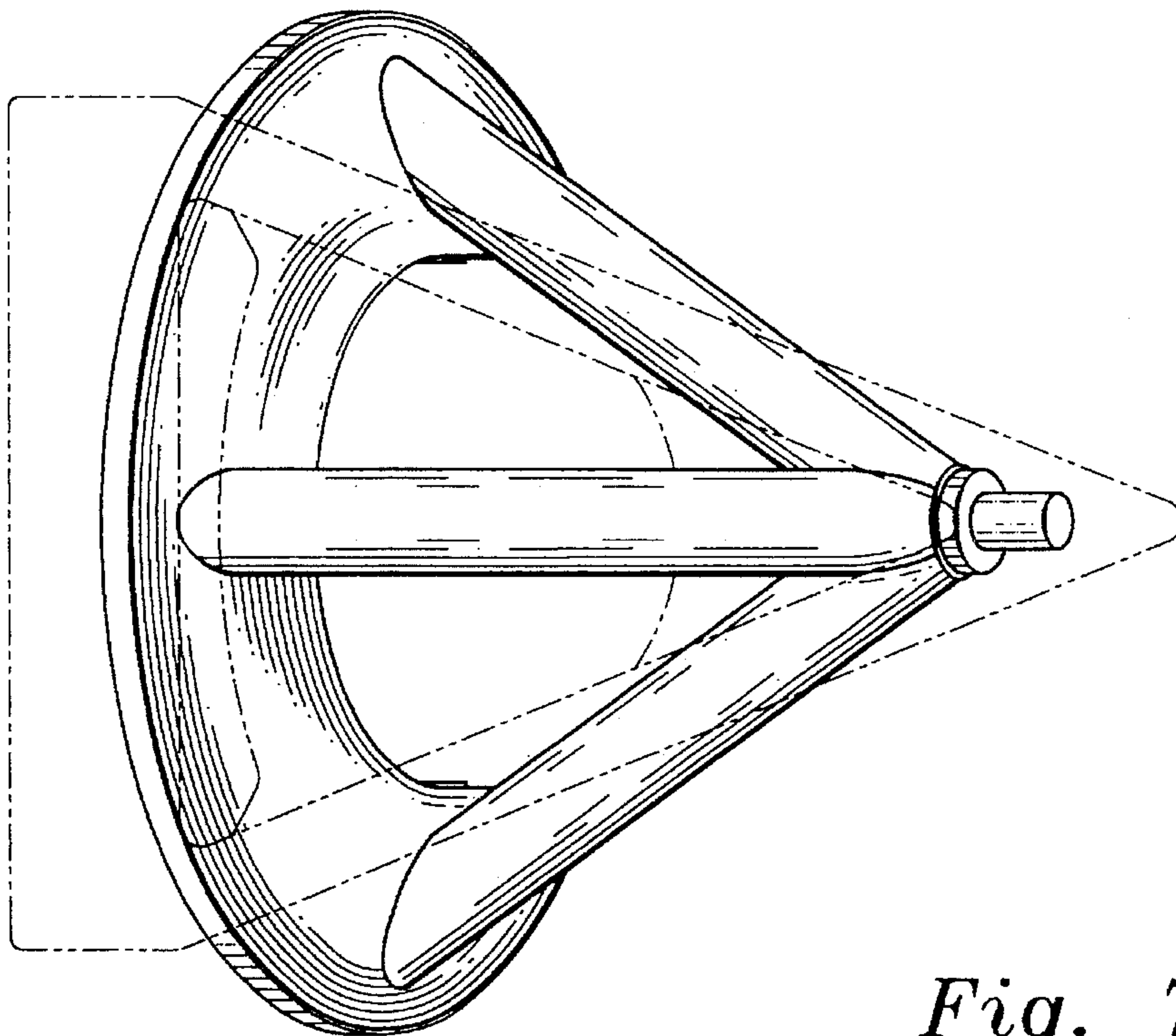


Fig. 7