



US00D369367S

# United States Patent [19]

Tomita

[11] Patent Number: **Des. 369,367**

[45] Date of Patent: **\*\*Apr. 30, 1996**

[54] **SIGHT SCOPE**

[75] Inventor: **Saburo Tomita**, Fujimi, Japan

[73] Assignee: **Asia Optical Co., Ltd.**, Tokyo, Japan

[\*\*] Term: **14 Years**

D. 347,018 5/1994 Jehn ..... D16/132  
 D. 349,510 8/1994 Tomita .  
 2,685,814 8/1954 Sloan ..... 33/245 X  
 3,777,404 12/1973 Oreck ..... 33/245  
 5,396,069 3/1995 Craig et al. .... 250/330

[21] Appl. No.: **33,348**

[22] Filed: **Jan. 10, 1995**

### FOREIGN PATENT DOCUMENTS

WO92/06485 4/1992 WIPO ..... D16/132

[30] **Foreign Application Priority Data**

Jul. 14, 1994 [JP] Japan ..... 6-21040

[52] **U.S. Cl.** ..... **D16/132; D16/130; D22/109**

[58] **Field of Search** ..... D16/130, 131, D16/132, 134, 135, 235; D22/109; 33/233, 241, 245, 252; 250/330, 333; 350/1.2; 353/74.142, 241, 149, 251; 354/79; 356/142, 149, 241, 251; 359/353, 382, 383, 384, 399, 405, 407, 412, 413, 415, 419, 430, 480, 802, 803, 804, 805, 810, 811; 362/110, 259

*Primary Examiner*—Louis S. Zarfaz  
*Assistant Examiner*—Monica A. Hannon  
*Attorney, Agent, or Firm*—Evenson, McKeown, Edwards & Lenahan

### [56] References Cited

#### U.S. PATENT DOCUMENTS

D. 214,402 6/1969 Hansen ..... D16/235  
 D. 305,030 12/1989 Fukushima ..... D16/132  
 D. 346,392 4/1994 Tomita .

### [57] CLAIM

The ornamental design for a sight scope, as shown and described.

### DESCRIPTION

FIG. 1 is a top view;  
 FIG. 2 is a front view;  
 FIG. 3 is a bottom view;  
 FIG. 4 is a rear view;  
 FIG. 5 is a left side view;  
 FIG. 6 is a right side view; and,  
 FIG. 7 is a perspective view.

1 Claim, 4 Drawing Sheets

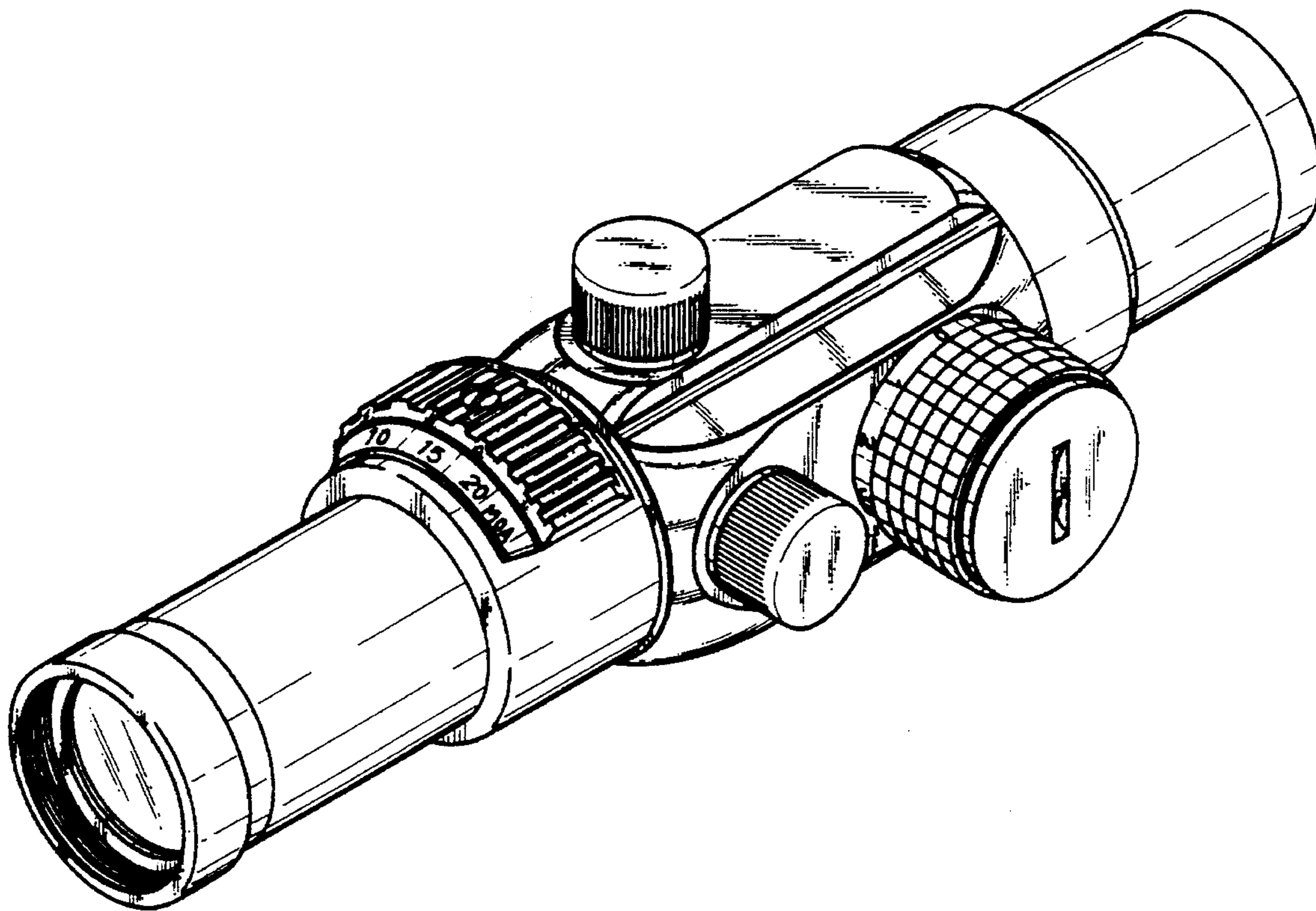


Fig. 1

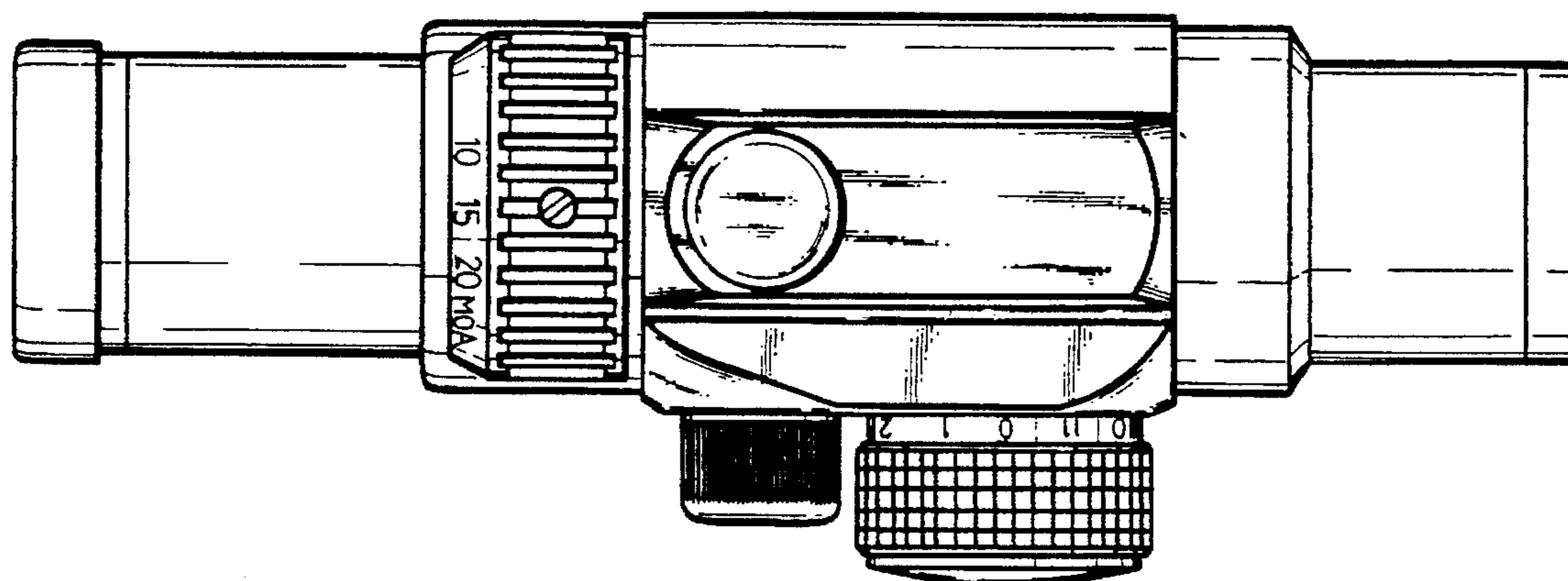


Fig. 2

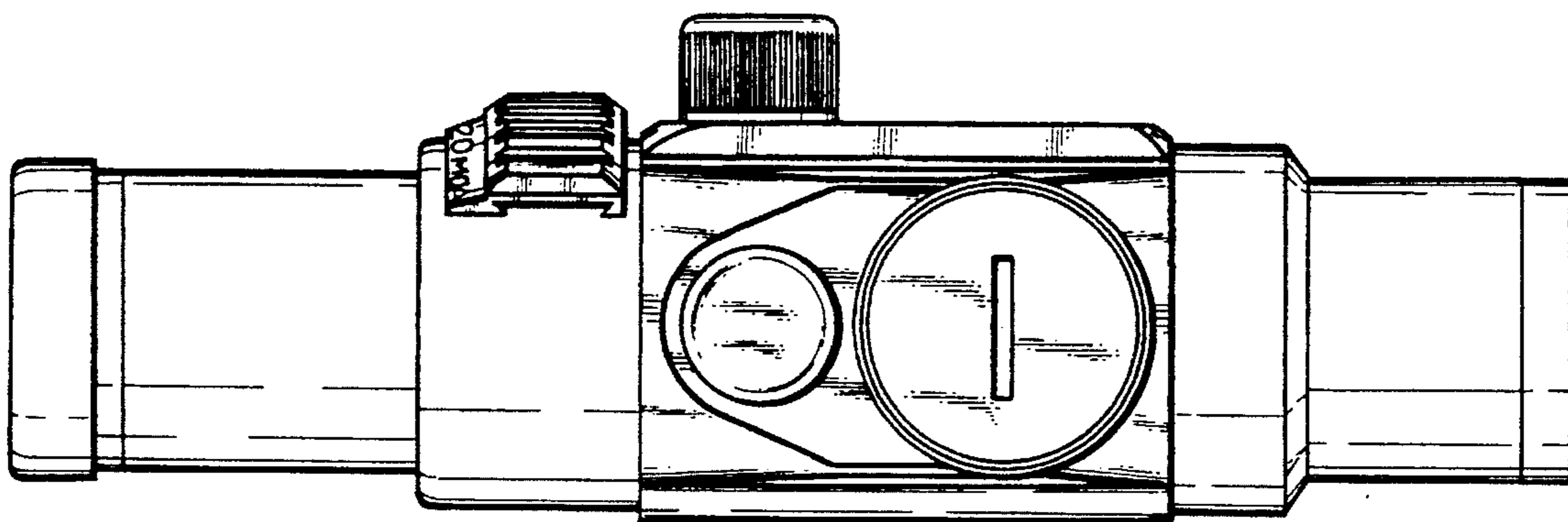


Fig.3

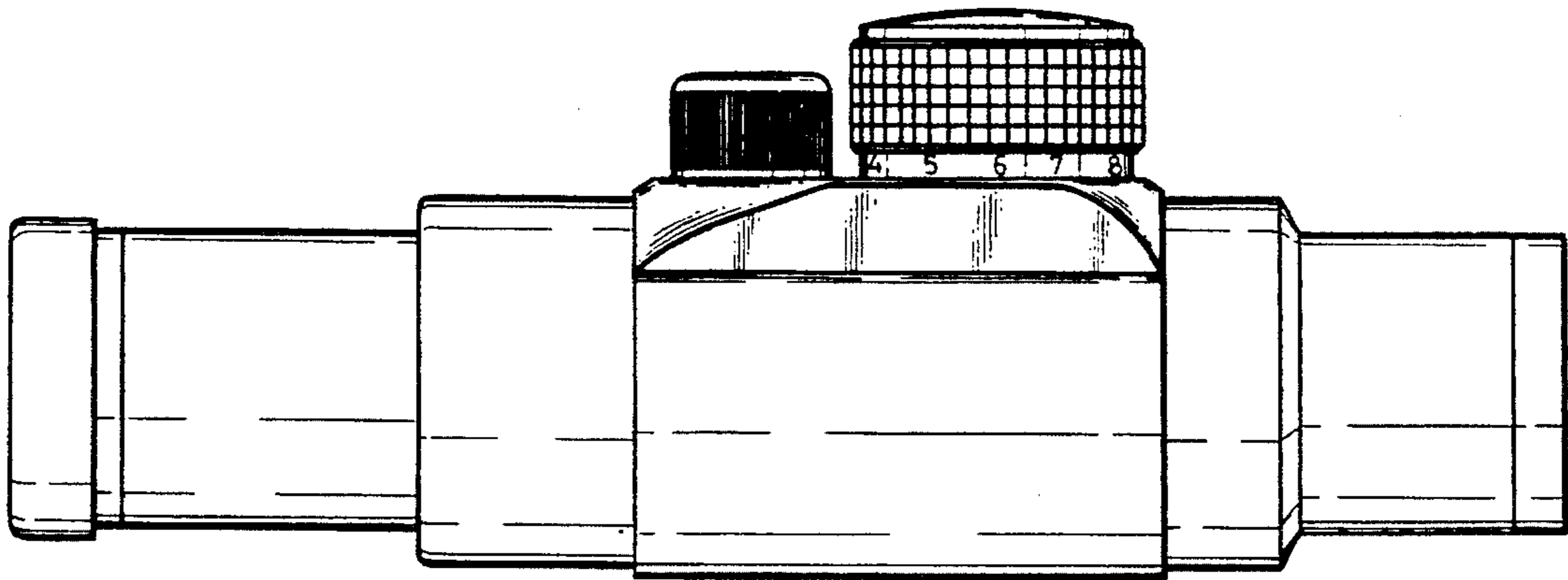


Fig.4

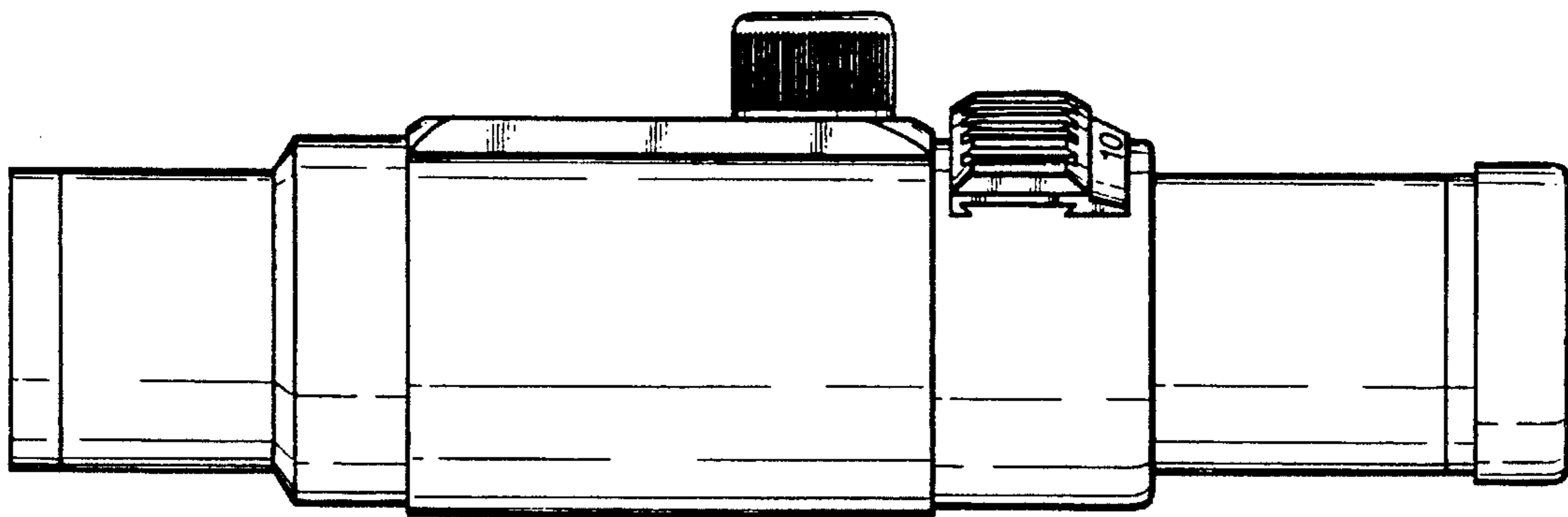


Fig. 5

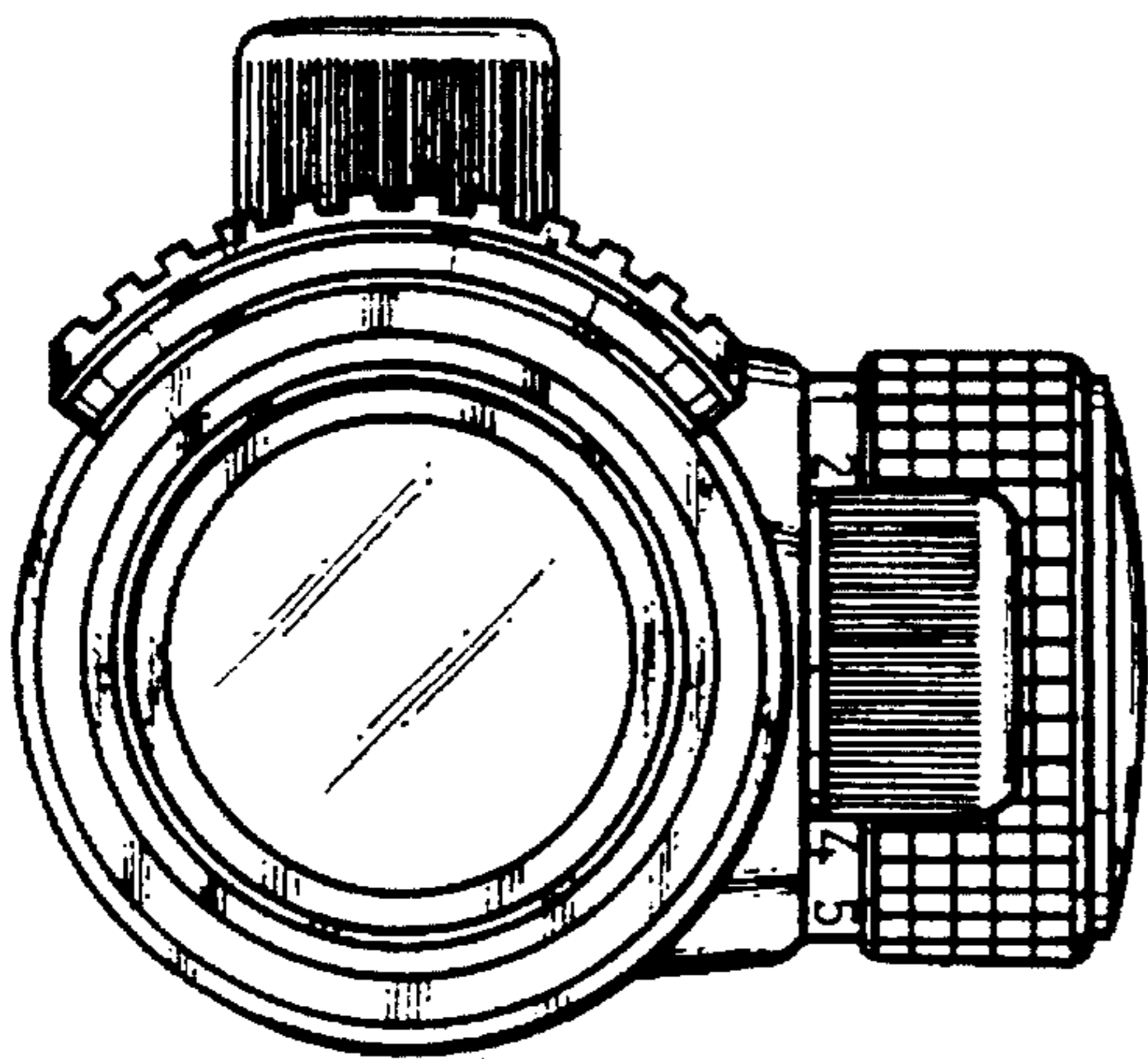


Fig. 6

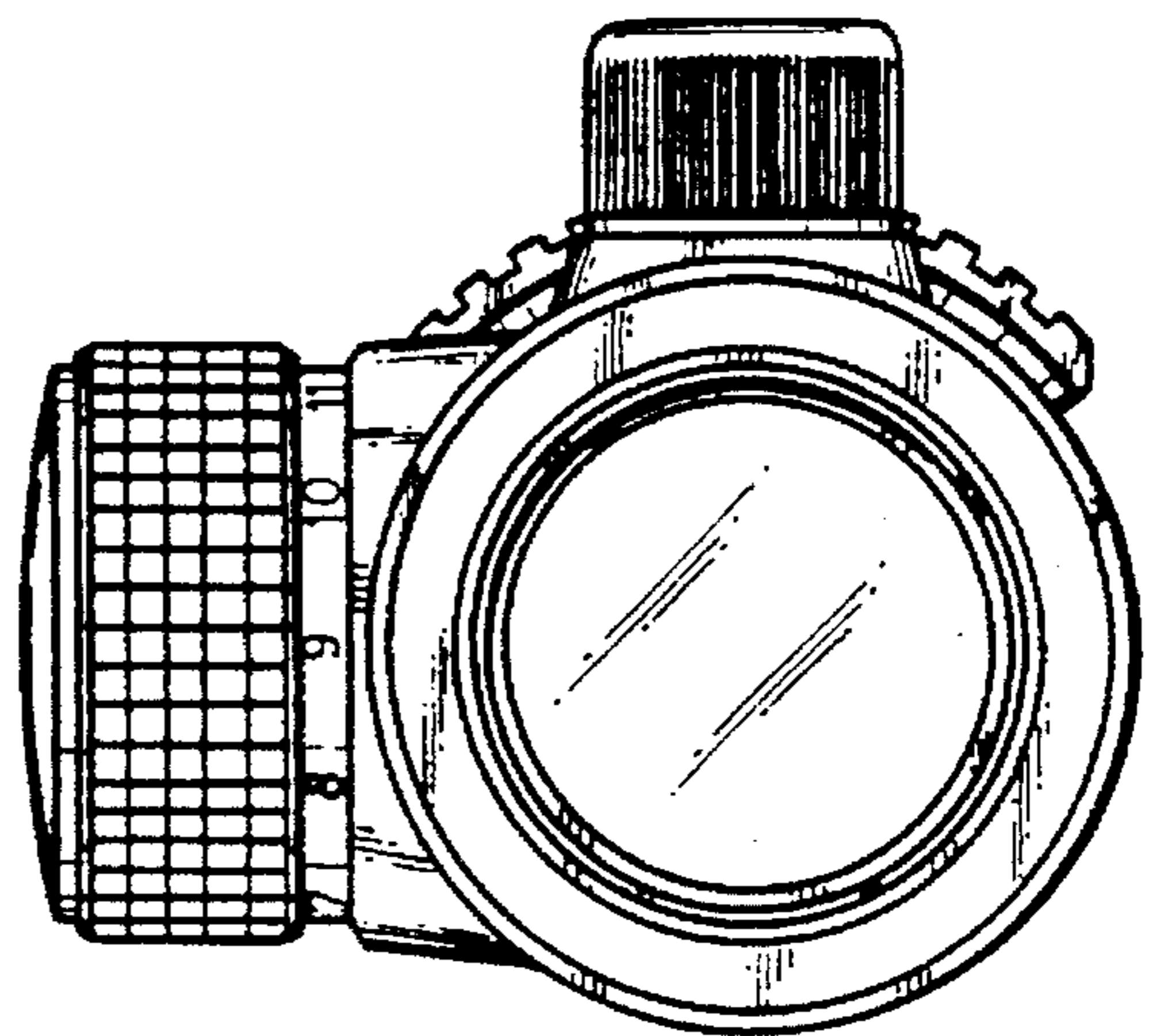


Fig. 7

