



US00D369366S

United States Patent [19]

Nakazawa

[11] Patent Number: **Des. 369,366**

[45] Date of Patent: ****Apr. 30, 1996**

[54] **DATA IMPRINTING DEVICE FOR A CAMERA**

[75] Inventor: **Shinobu Nakazawa**, Suwa, Japan

[73] Assignee: **Seiko Epson Corporation**, Tokyo, Japan

[**] Term: **14 Years**

[21] Appl. No.: **35,121**

[22] Filed: **Feb. 21, 1995**

[30] Foreign Application Priority Data

Sep. 2, 1994	[JP]	Japan	6-26680
Sep. 2, 1994	[JP]	Japan	6-26682

[52] U.S. Cl. **D16/219; D16/237**

[58] Field of Search **D16/219, 237; 354/105, 106, 295, 288**

[56] References Cited

U.S. PATENT DOCUMENTS

D. 297,644	9/1988	Sugiyama et al.	D16/219
4,182,559	1/1980	Driscoll et al.	354/105
5,003,329	3/1991	Itabashi	354/106
5,034,836	7/1991	DeMarti, Jr. et al.	354/105

FOREIGN PATENT DOCUMENTS

5-150316	6/1993	Japan	354/105
5-150321	6/1993	Japan	354/288

OTHER PUBLICATIONS

"Camera Lens Hyakka (Encyclopedia)" *Shashin Kogyo Shuppansha*, Mar. 20, 1991, p. 166.

Primary Examiner—Ted Shooman

Assistant Examiner—Adir Aronovich
Attorney, Agent, or Firm—Oliff & Berridge

[57] CLAIM

The ornamental design for a data imprinting device for a camera, as shown and described.

DESCRIPTION

FIG. 1 is a top, front and right side perspective view of a data imprinting device for a camera showing my new design;

FIG. 2 is a front view thereof;

FIG. 3 is a top plan view thereof;

FIG. 4 is a right side view thereof;

FIG. 5 is a left side view thereof;

FIG. 6 is a rear view thereof;

FIG. 7 is a bottom view thereof;

FIG. 8 is a top, front and right side perspective view of the second embodiment showing my new design;

FIG. 9 is a front view thereof;

FIG. 10 is a top plan view thereof;

FIG. 11 is a right side view thereof;

FIG. 12 is a left side view thereof; and,

FIG. 13 is a rear view thereof.

The undisclosed bottom view of the of the second embodiment is identical to that shown in FIG. 7 of the first embodiment.

1 Claim, 4 Drawing Sheets

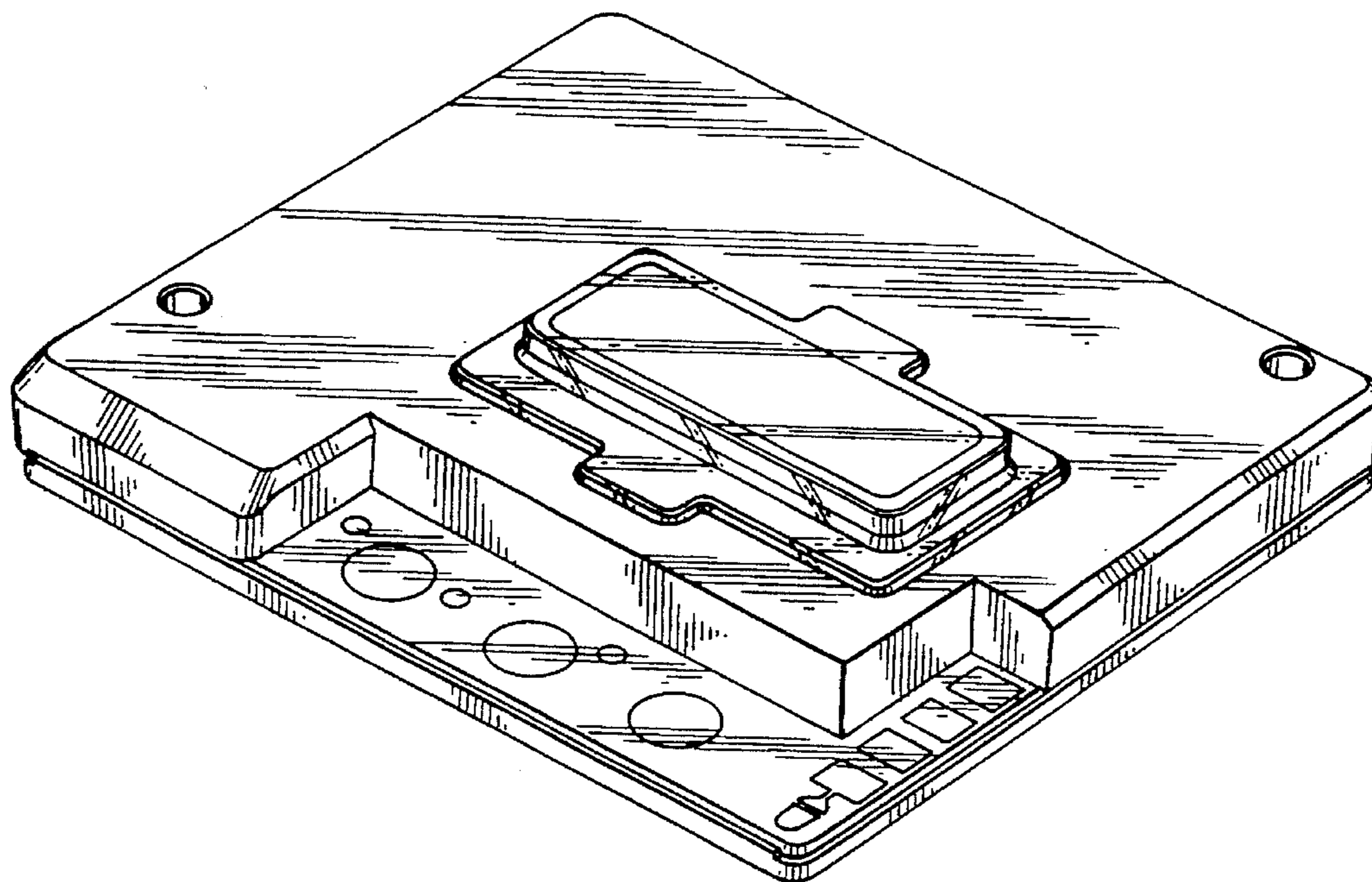


FIG. 1

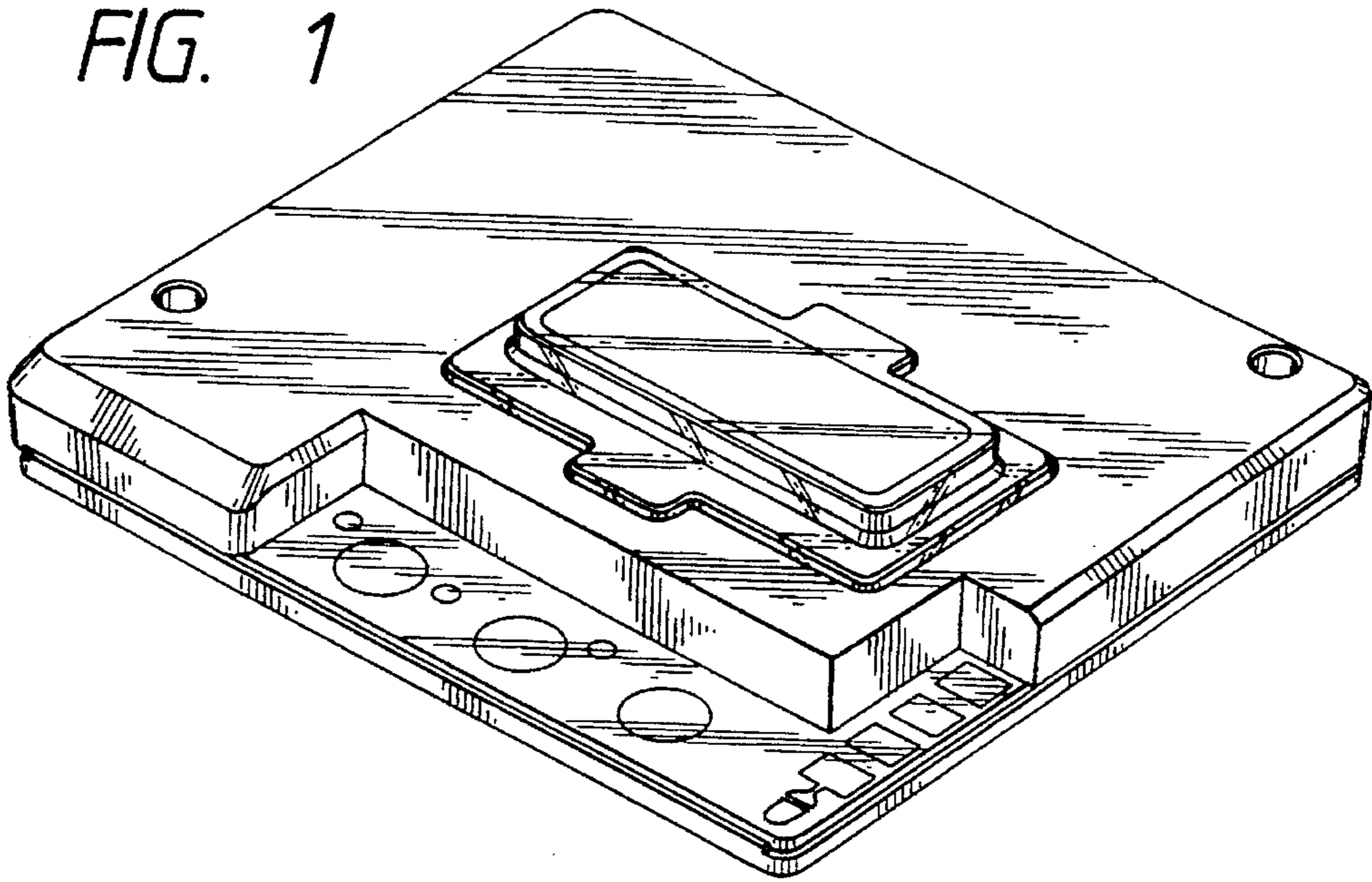


FIG. 2

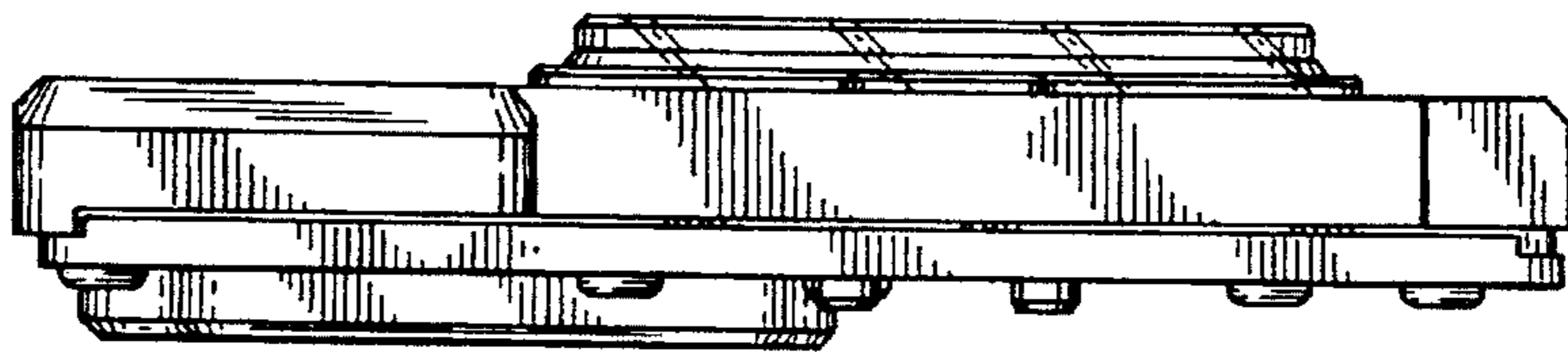


FIG. 3

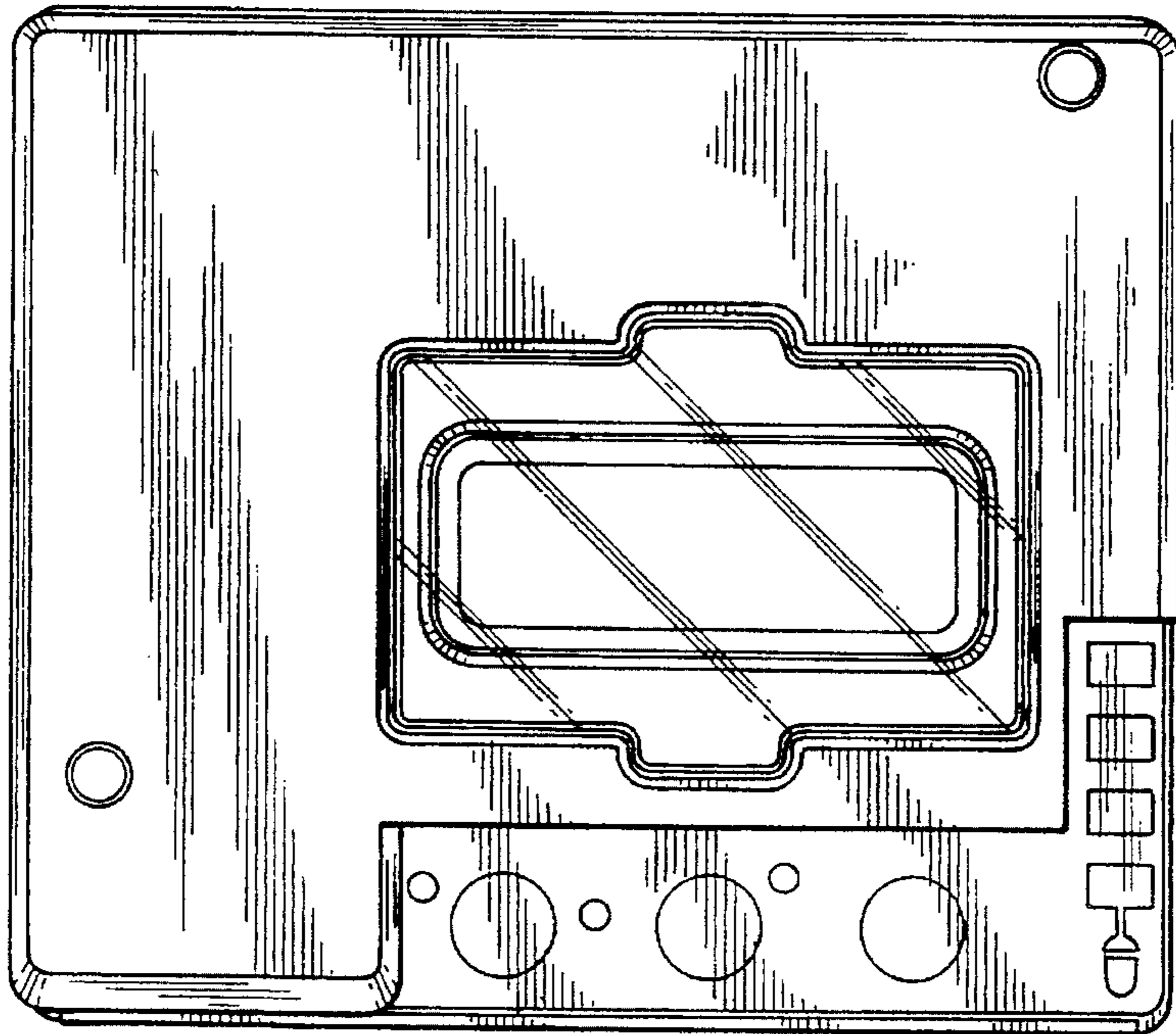


FIG. 4

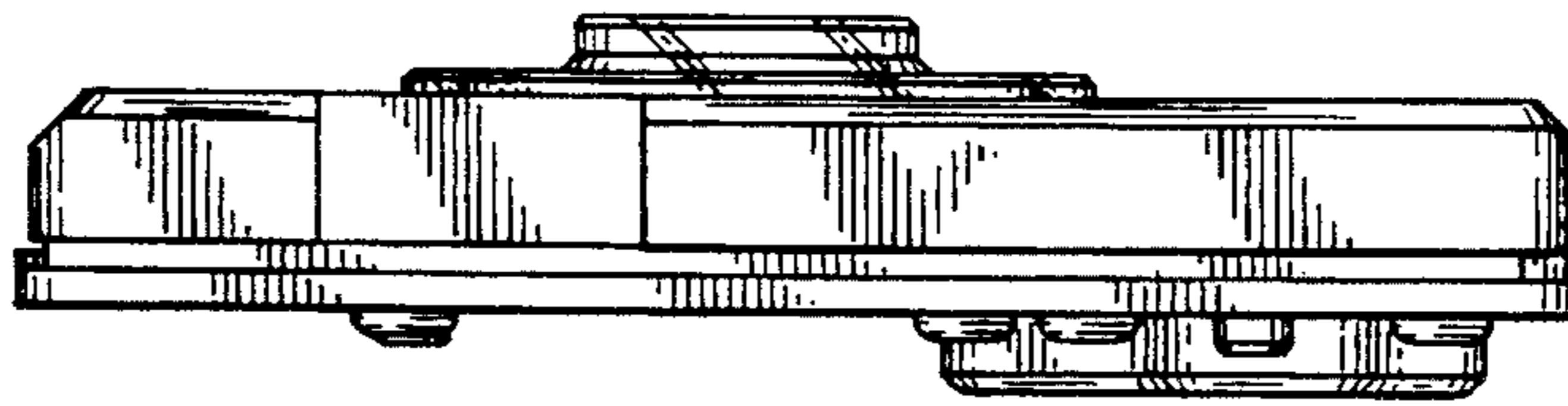


FIG. 5

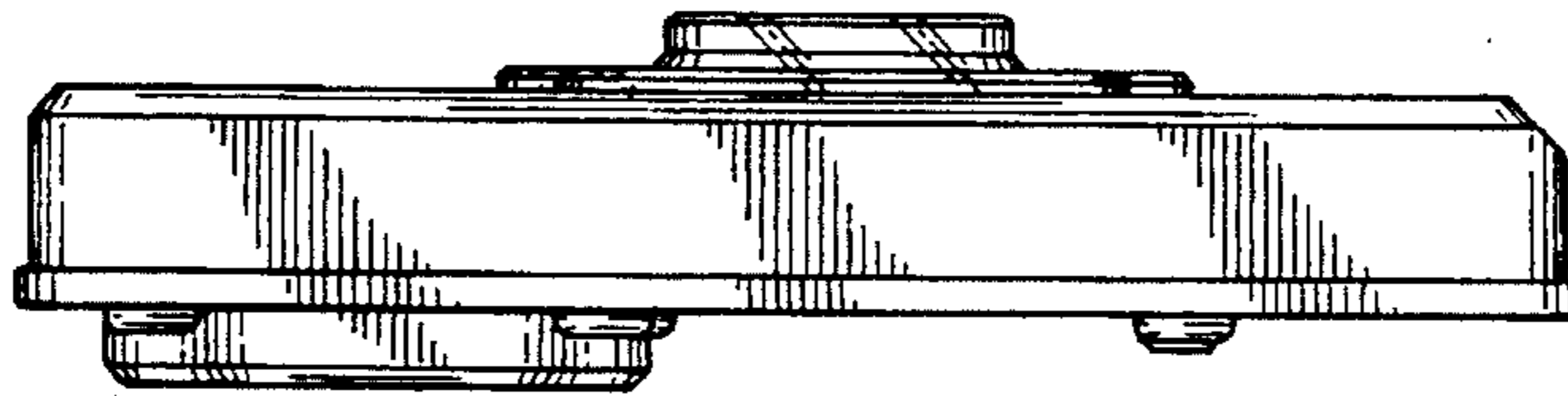


FIG. 6

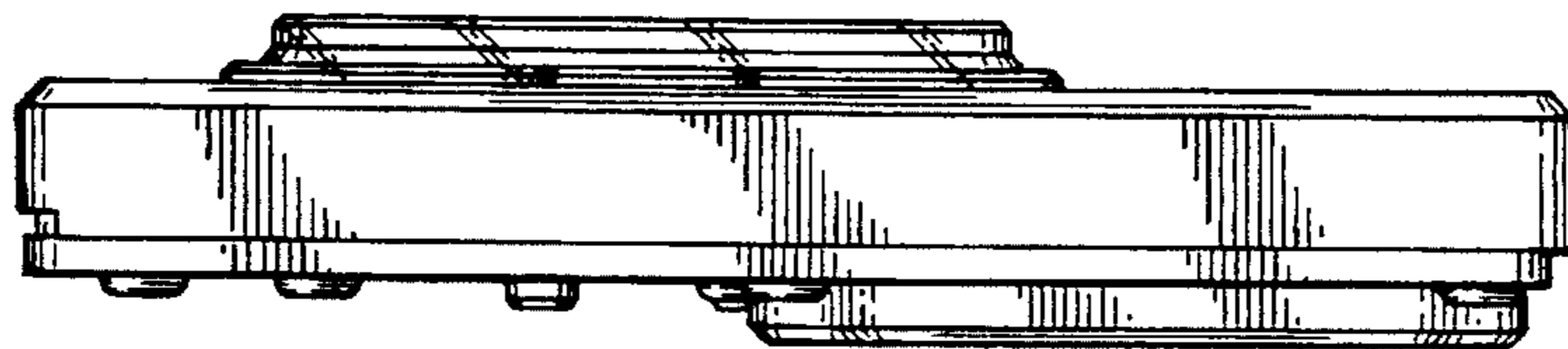


FIG. 7

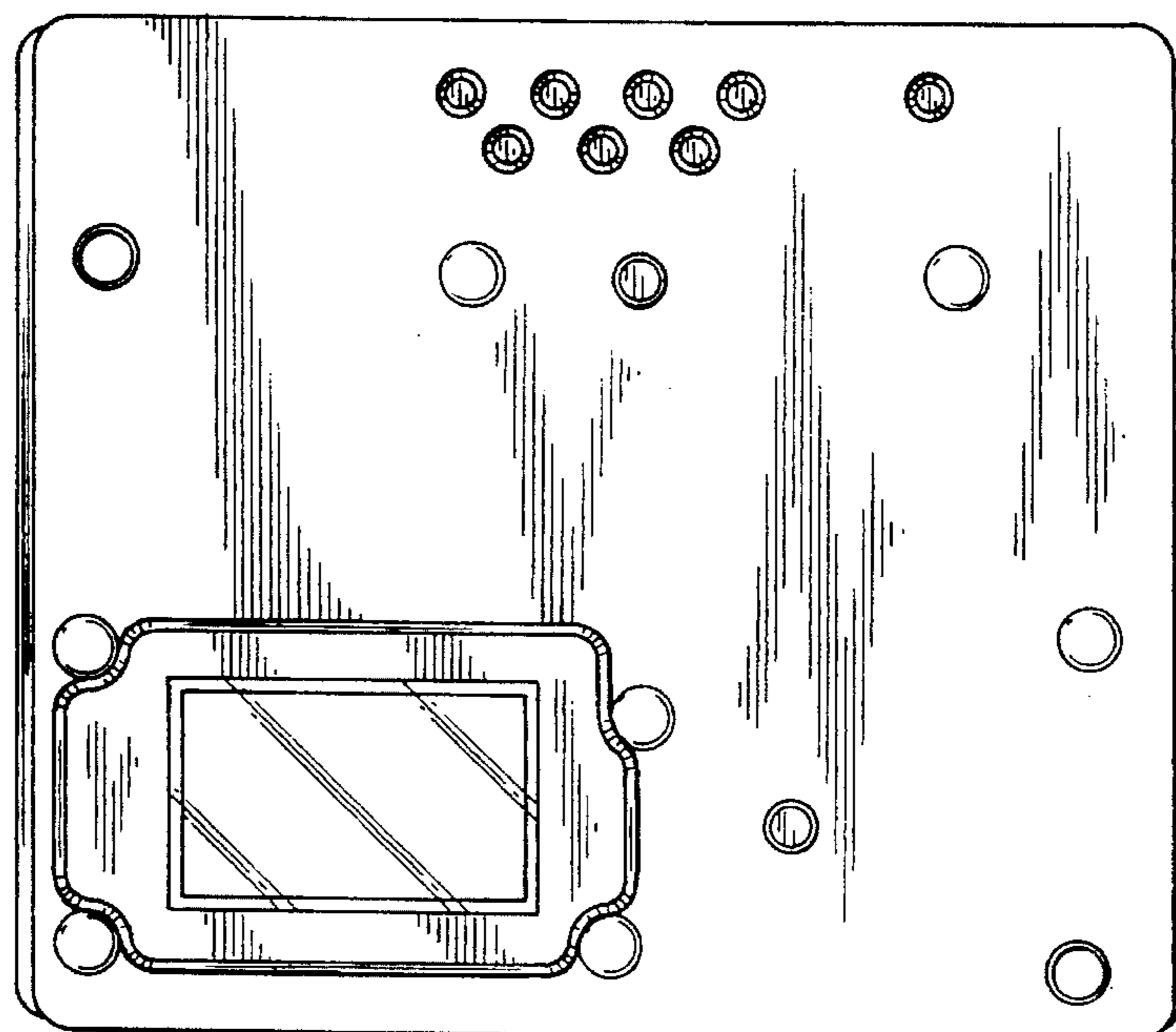


FIG. 8

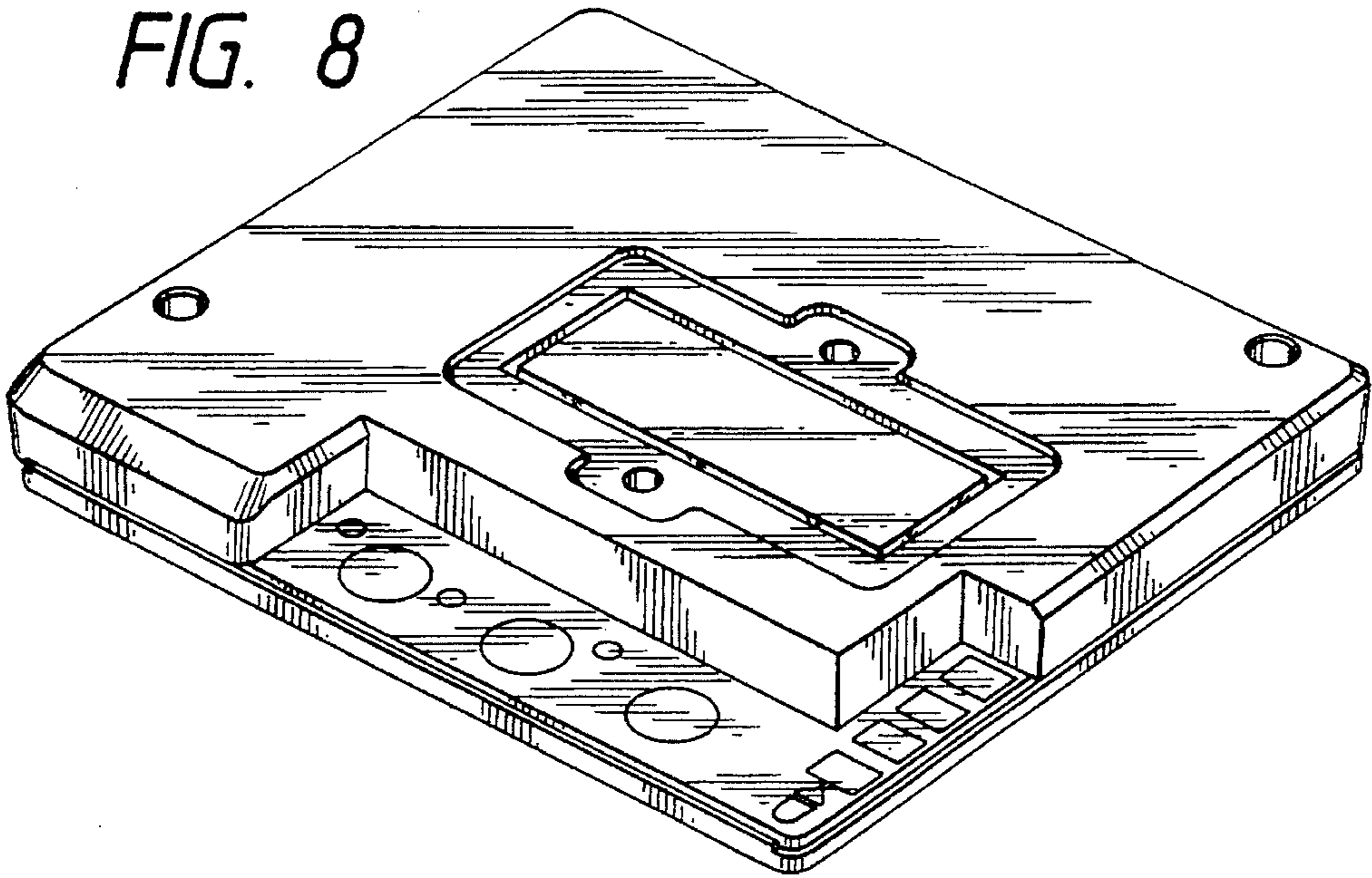


FIG. 9

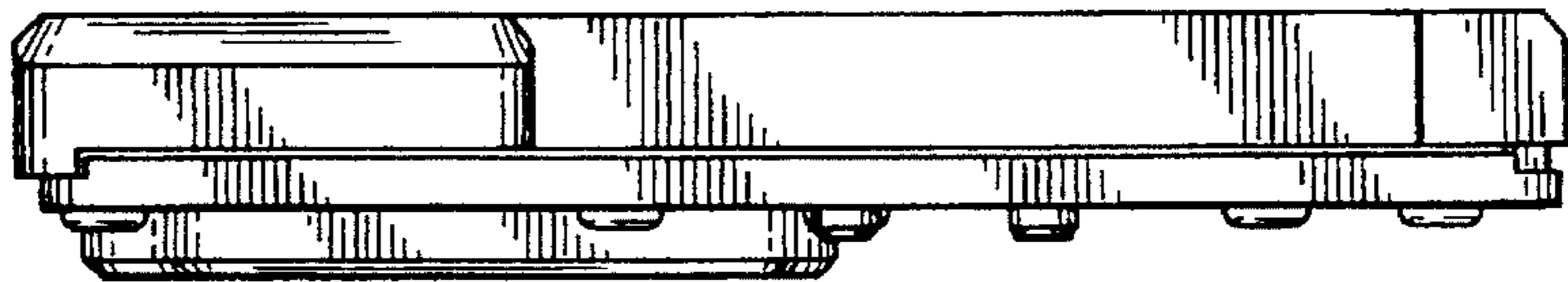


FIG. 10

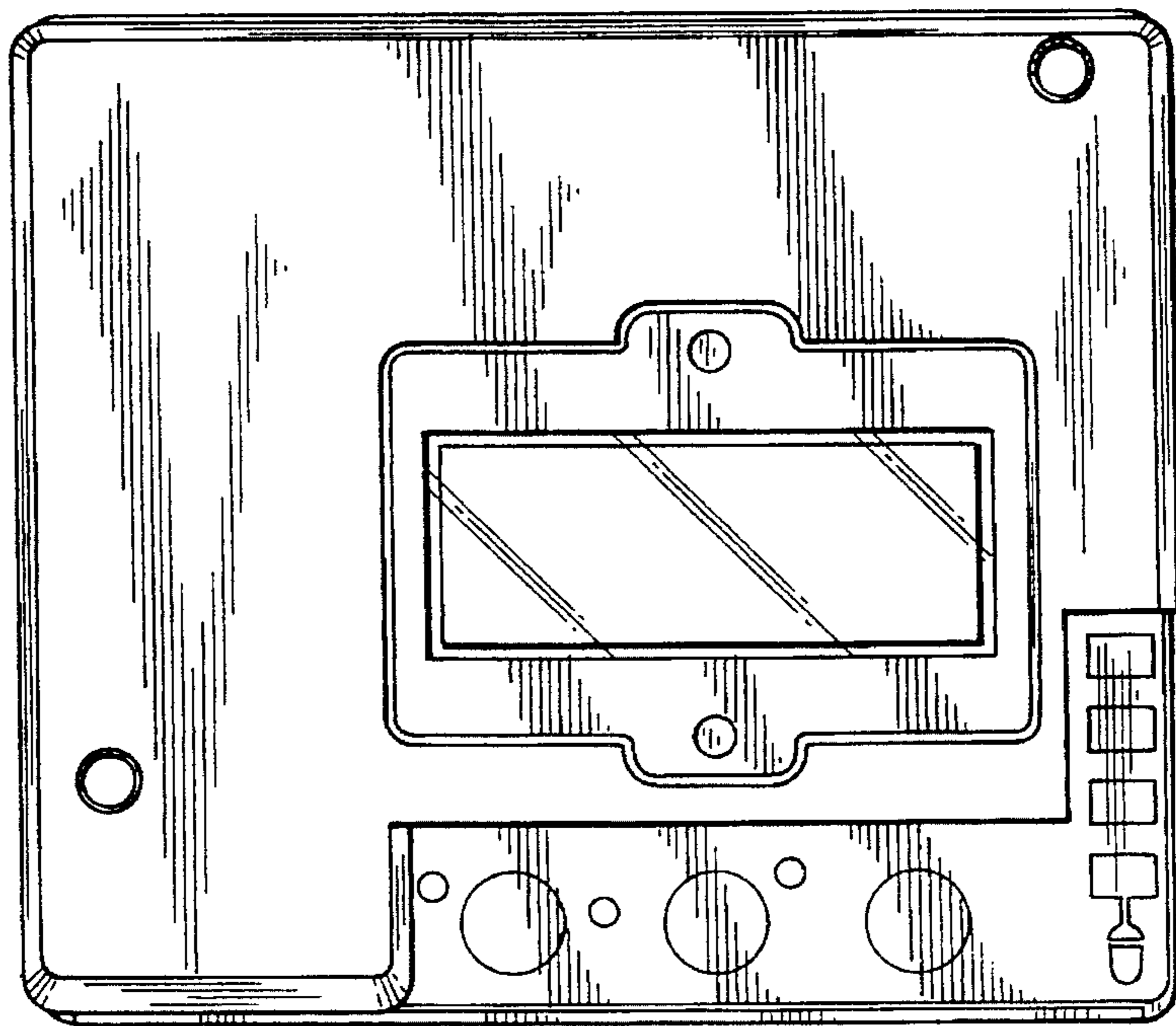


FIG. 11

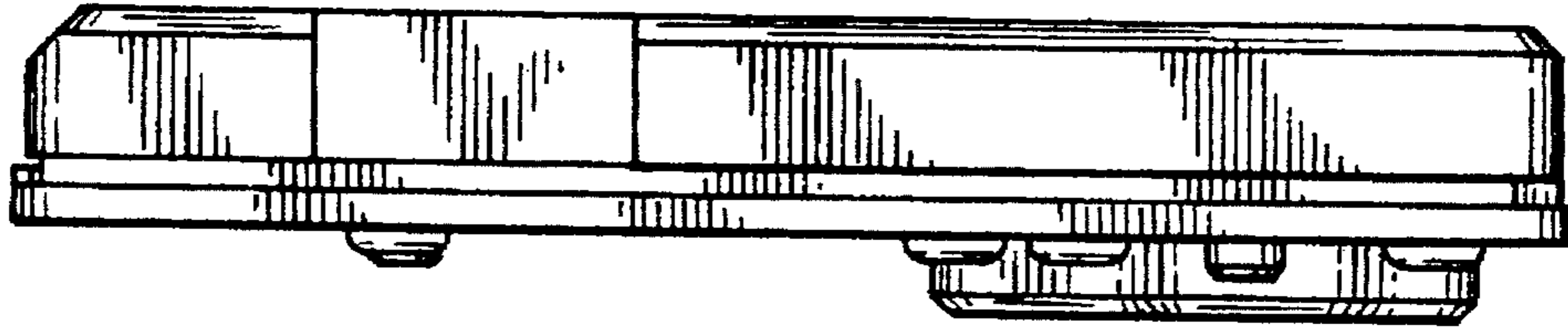


FIG. 12

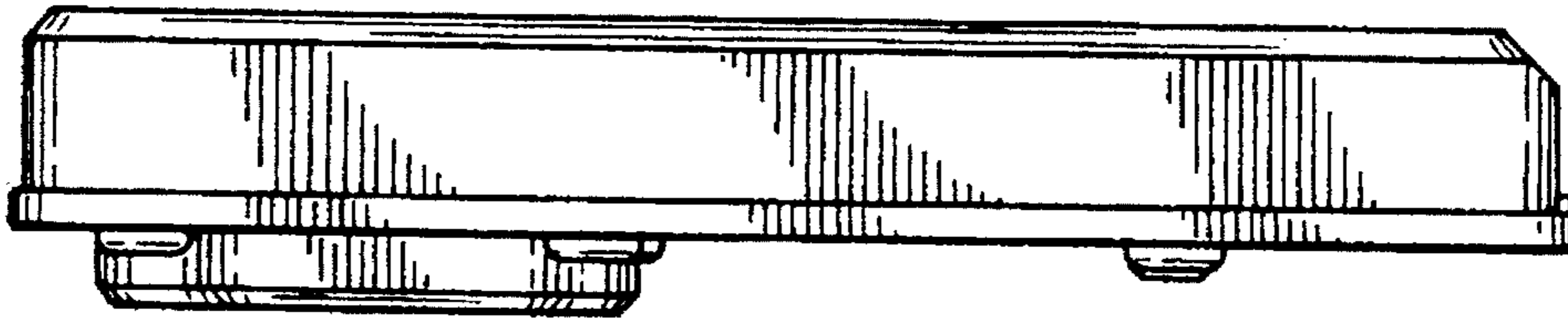


FIG. 13

