



US00D369363S

United States Patent [19] Mihic

[11] Patent Number: **Des. 369,363**

[45] Date of Patent: ****Apr. 30, 1996**

[54] **INSERT HOLDER COMPONENT**

[75] Inventor: **Wlajko Mihic**, Gävle, Sweden

[73] Assignee: **Mircona Aktiebolag**, Gävle, Sweden

[**] Term: **14 Years**

[21] Appl. No.: **36,864**

[22] Filed: **Mar. 29, 1995**

[30] **Foreign Application Priority Data**

Sep. 29, 1994 [SE] Sweden 94-1942

[52] U.S. Cl. **D15/140**

[58] Field of Search D15/139, 140;
407/33-52, 77

[56] **References Cited**

U.S. PATENT DOCUMENTS

D. 270,059 8/1983 Wilkins D15/140 X

D. 311,194 10/1990 Mihic D15/140

D. 311,747 10/1990 Mihic D15/140

3,754,309 8/1973 Jones et al. 407/77

4,780,029 10/1988 Beck 407/77 X

Primary Examiner—Antoine Duval Davis

Attorney, Agent, or Firm—Rolf Fasth

[57] **CLAIM**

The ornamental design of a insert holder component, as shown.

DESCRIPTION

FIG. 1 is a perspective top view of the invention looking from the front of the insert holder component;

FIG. 2 is a perspective bottom view of the invention looking from below the insert holder component;

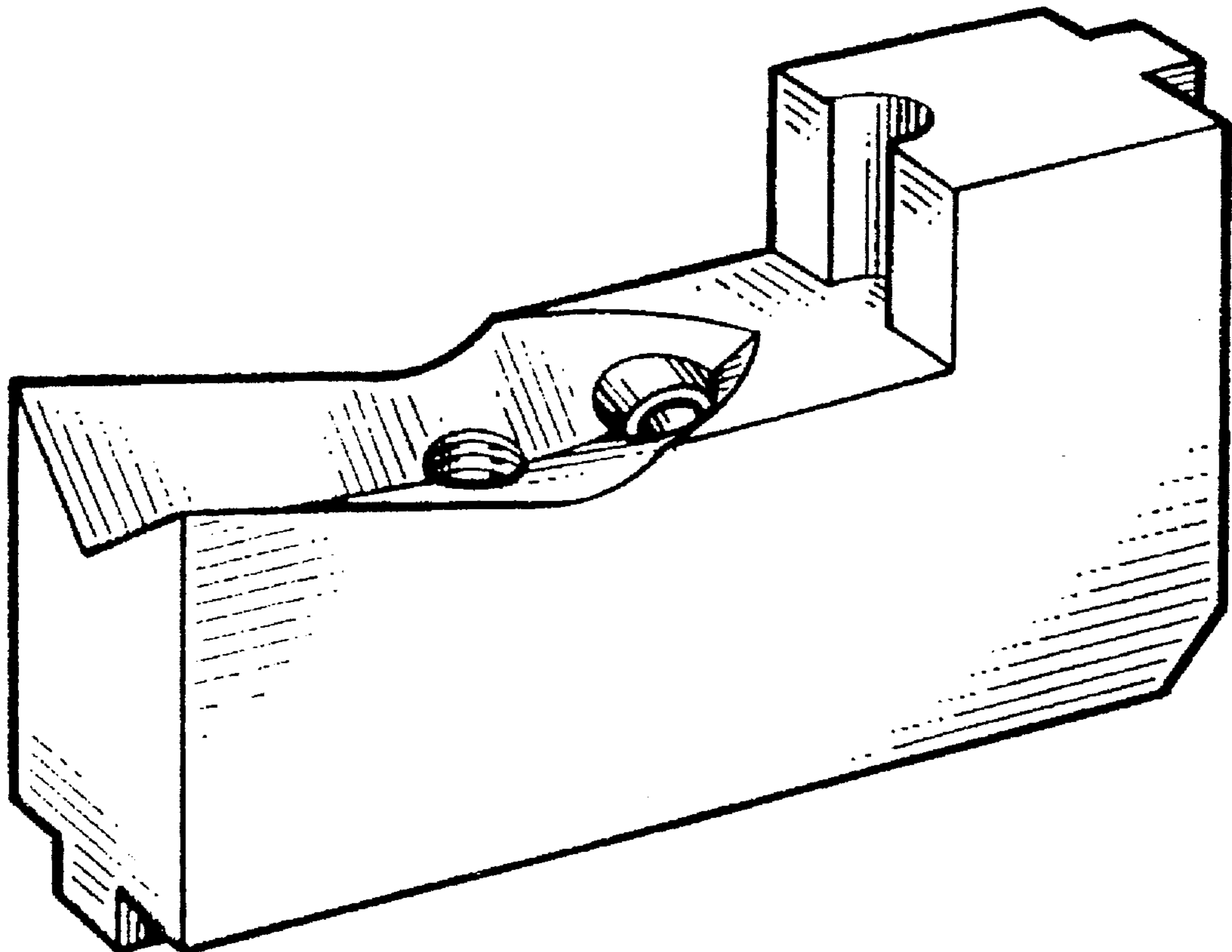
FIG. 3 is a top plan view of the invention;

FIG. 4 is a side view of the invention;

FIG. 5 is a bottom view of the invention; and,

FIG. 6 is a front view of the invention.

1 Claim, 2 Drawing Sheets



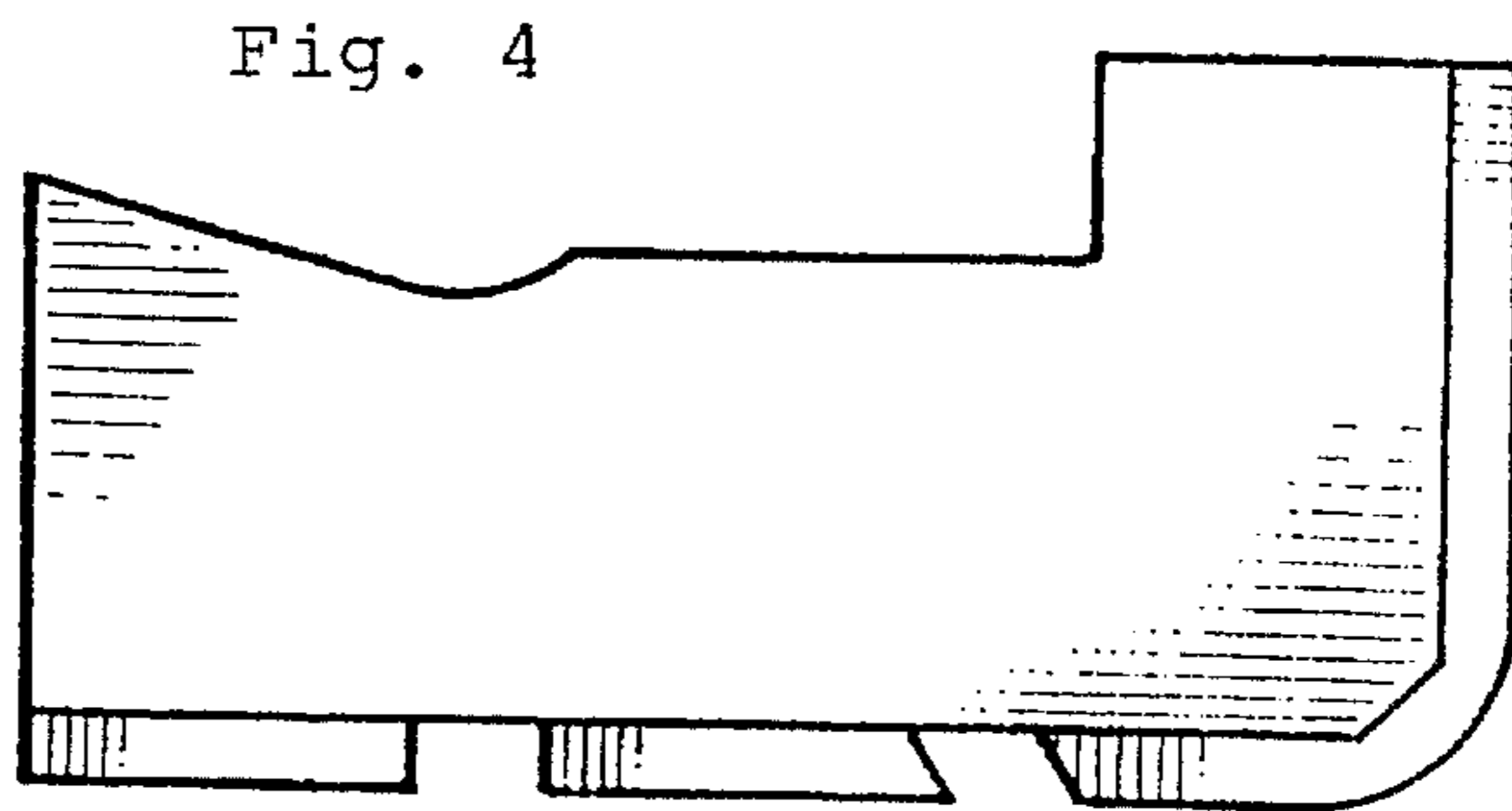
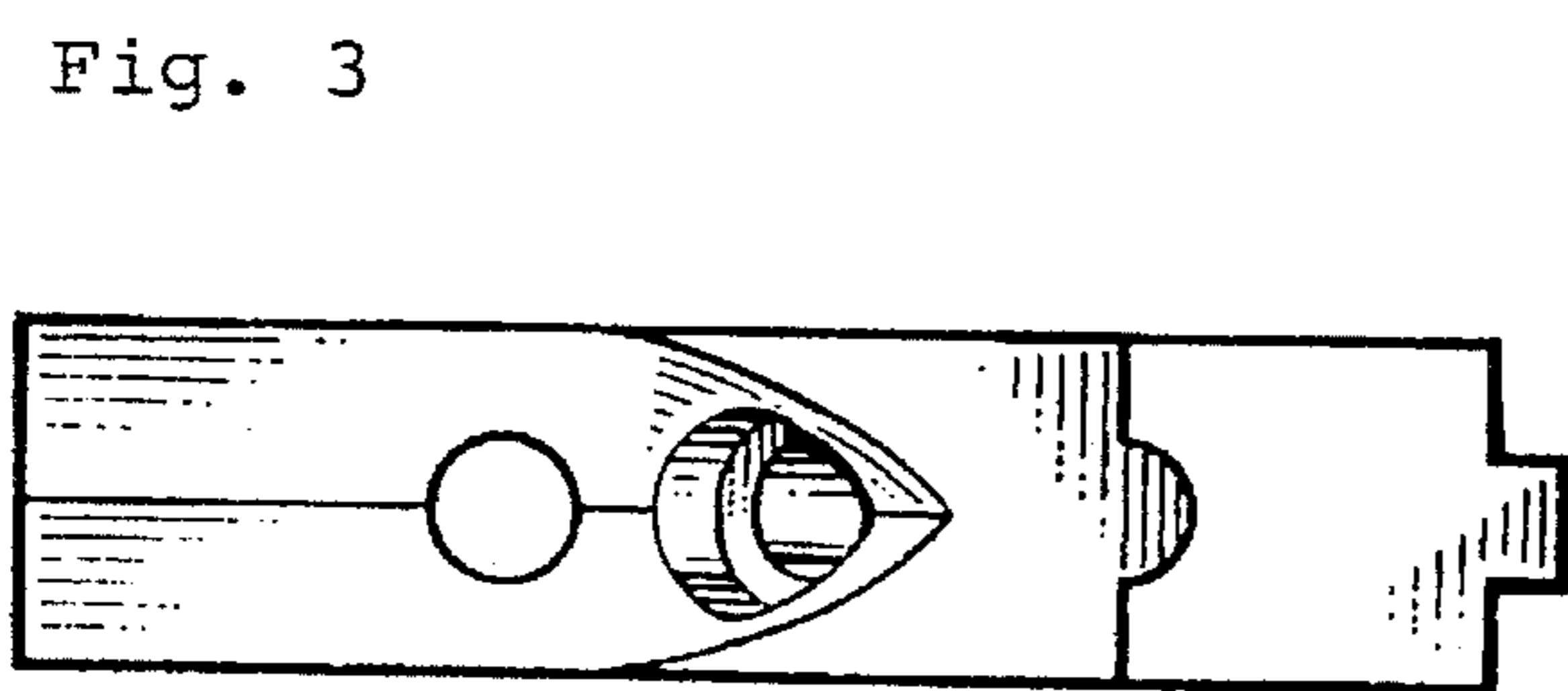
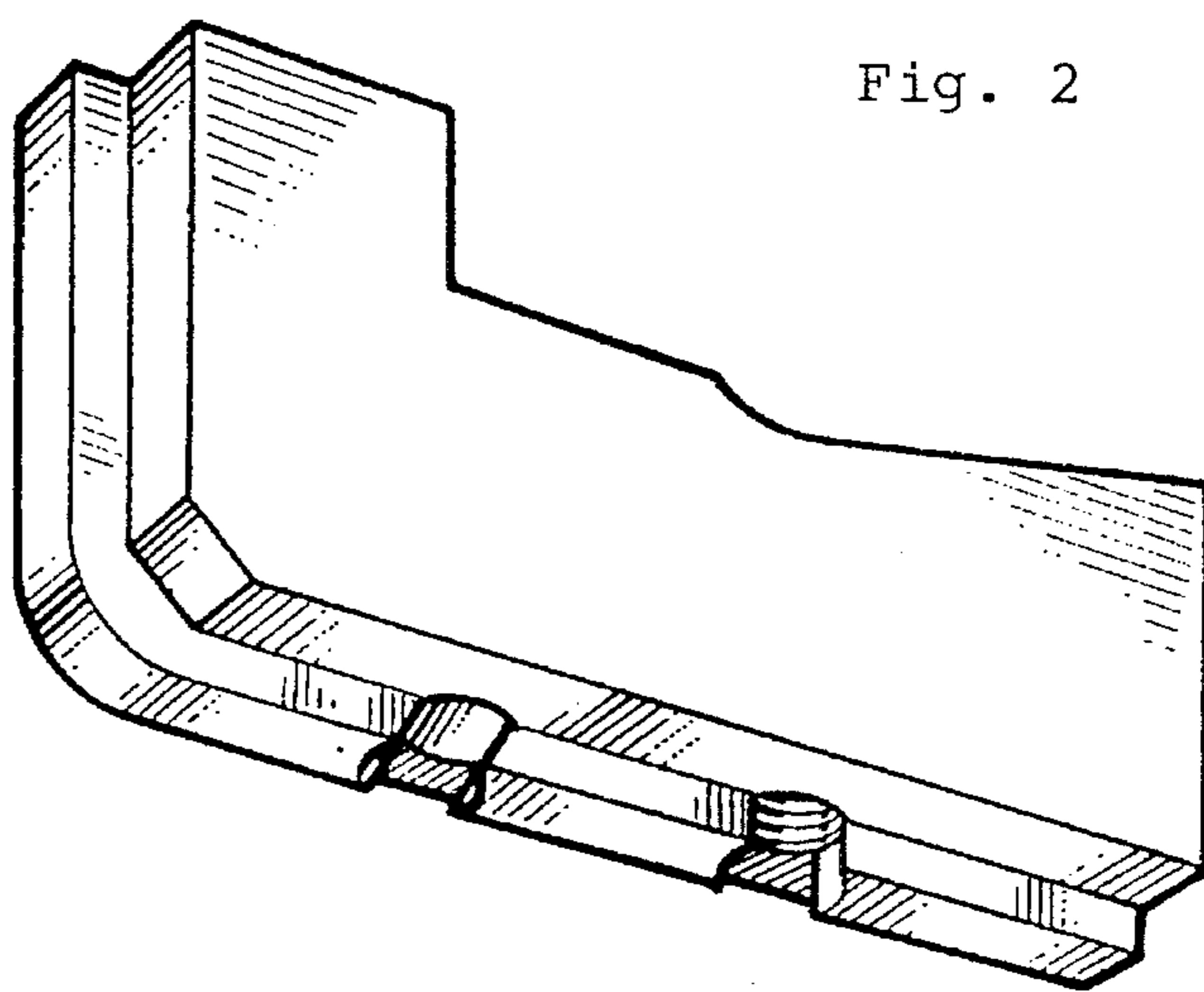
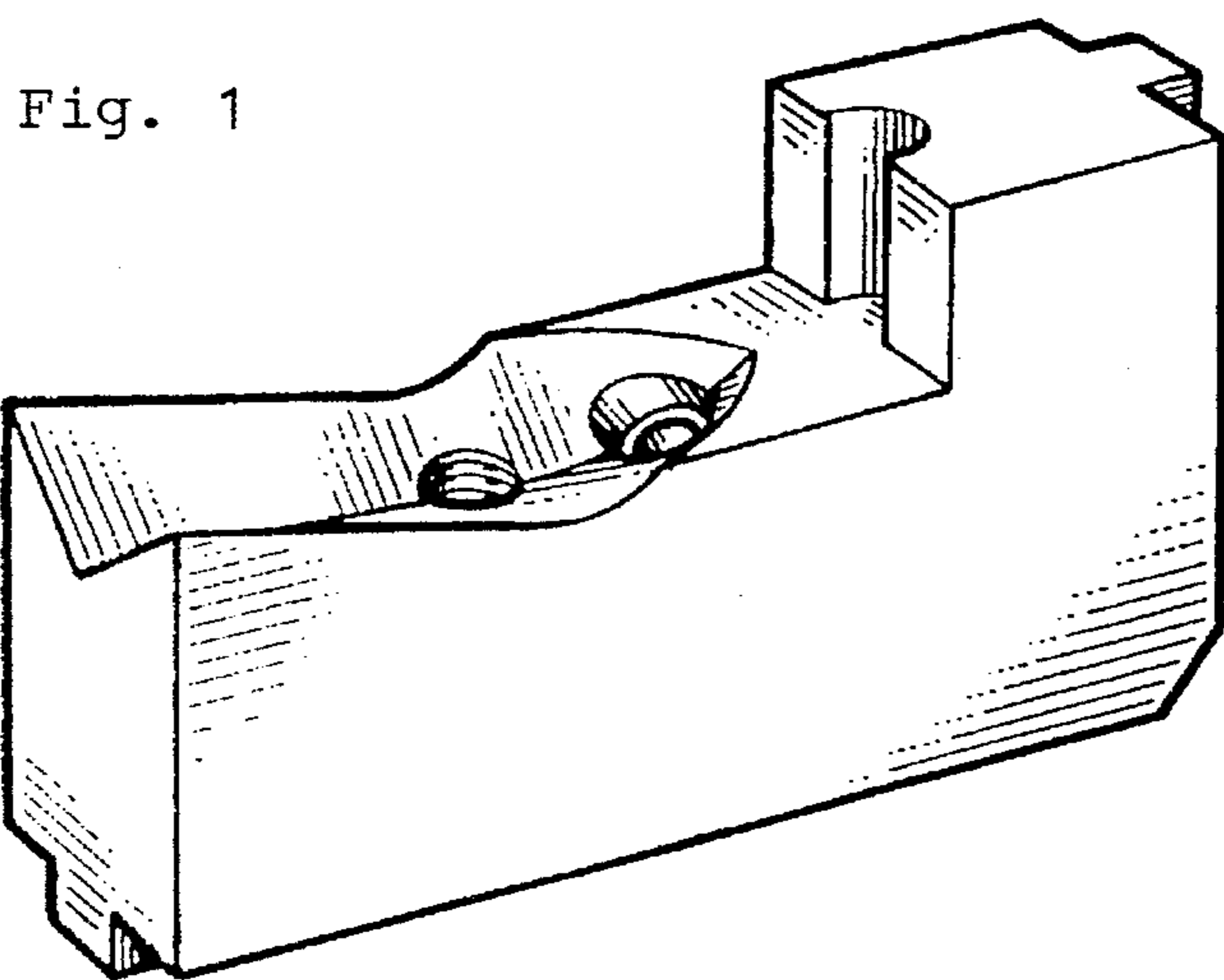


Fig. 5

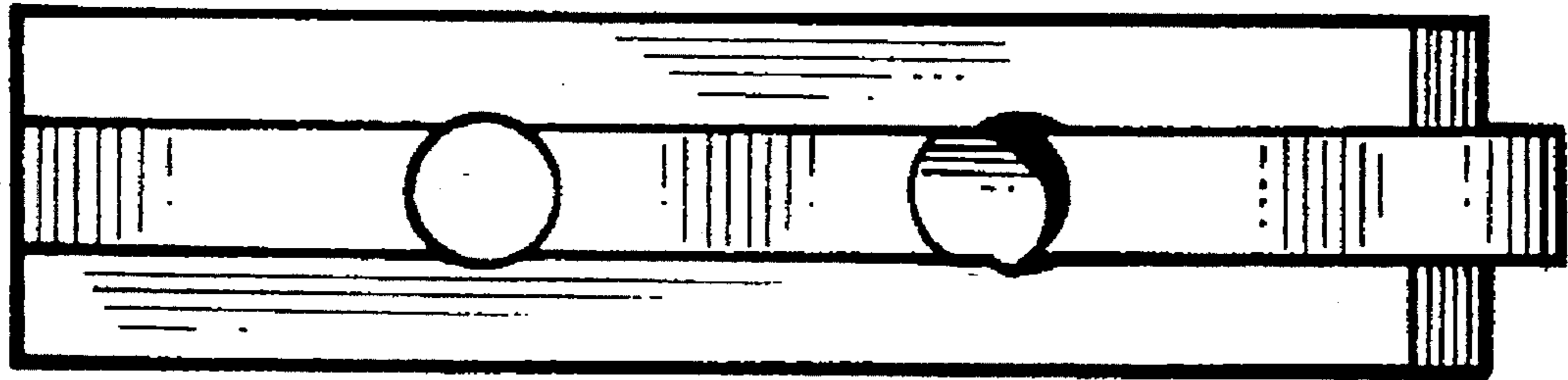


Fig. 6

